

Dual Monitor Mount with Built-In 2-Port USB Pass-Through

ARMSLIMDUO



*actual product may vary from photos

FR: Guide de l'utilisateur - fr.startech.com

DE: Bedienungsanleitung - de.startech.com

ES: Guía del usuario - es.startech.com

NL: Gebruiksaanwijzing - nl.startech.com

PT: Guia do usuário - pt.startech.com

IT: Guida per l'uso - it.startech.com

For the latest information, technical specifications, and support for this product, please visit www.startech.com/ARMSLIMDUO.

Table of Contents

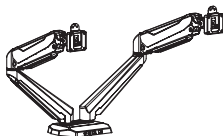
Introduction	1
Packaging contents	1
Product diagram	3
Product dimensions	4
Technical specifications	5
Assemble the ARMSLIMDUO	5
Attach the desk clamps to the mounting arms.....	5
Attach the mounting arm to a desk or table.....	7
Attach the monitors to the VESA monitor mounts.....	8
Attach the VESA monitor mounts to the mounting arm	9
Route the cables	11
Manage your cables	12
Technical support	13
Warranty information	13

Introduction

You can use the ARMSLIMDUO to mount two displays on your desk and take advantage of the full-motion articulation and the cable-management system that comes with the ARMSLIMDUO. The ARMSLIMDUO features two 3.5 mm audio ports and two USB pass-through ports, and comes with a desk-clamp mount.

Packaging contents

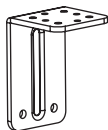
1



Mounting arm

Quantity: One

2



Desk clamps (upper bracket)

Quantity: Two

3



Desk clamps (lower bracket)

Quantity: Two

4



VESA monitor mounts

Quantity: Two

5



M4x12 mm screws

Quantity: Eight

6



M4x30 mm screws

Quantity: Eight

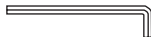
7



Plastic spacers

Quantity: Eight

8



M4 hex key

Quantity: One

9



M5 hex key
Quantity: One

10



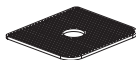
M6x12 mm screws
Quantity: Eight

11



M8x12 mm screws
Quantity: Four

12



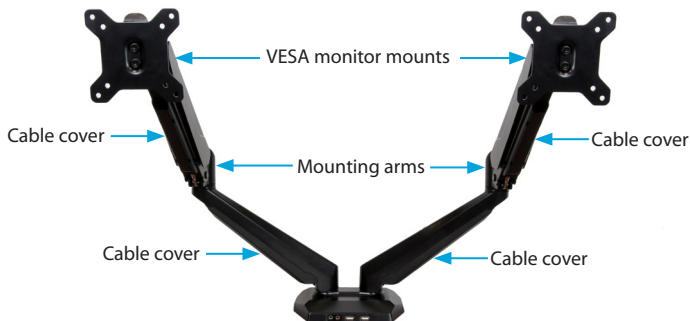
Rubber pads
Quantity: Two

13



Instruction manual
Quantity: One

Product diagram



Close-up view of the base



Technical specifications

The ARMSLIMDUO can support up to 8.0 kg (17.6 lb) of weight per mounting arm. The desk clamp can support a maximum thickness of 90 mm (3.54 in.).

Assemble the ARMSLIMDUO

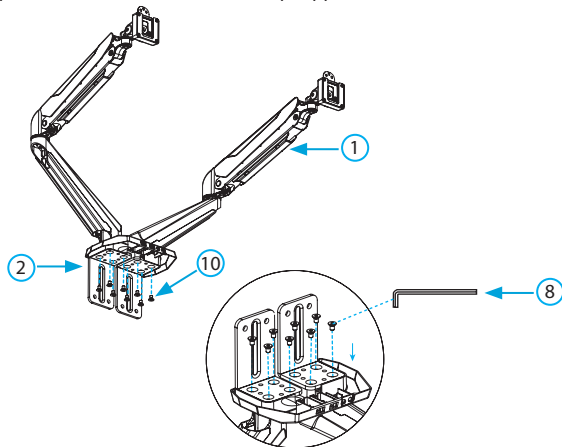
Warning! Make sure that all of the hardware is assembled securely and checked for stability before you load the monitors.

Note: You will need a Phillips screwdriver to assemble the ARMSLIMDUO.

Attach the desk clamps to the mounting arms

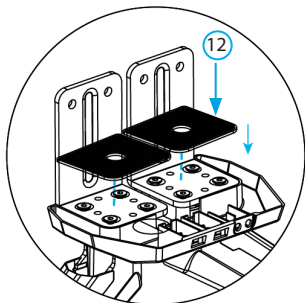
1. Line up the four holes in one of the desk clamps (upper bracket) (2) with one set of four holes on the underside of the mounting arm (1).
2. Insert four of the M6x12 mm screws (10) through the holes in the desk clamp (upper bracket) and into the mounting arm.
3. Use the M4 hex key (8) to turn the screws clockwise to tighten them. (figure 1)
4. Repeat steps 1 to 3 for the second desk clamp (upper bracket).

figure 1



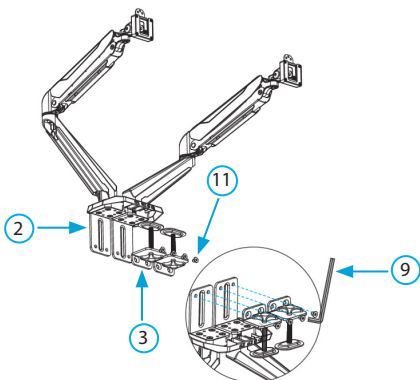
5. Remove the backing from the two rubber pads (12), and affix them over the M6x12 mm screws in the desk clamp (upper bracket). (figure 2)

figure 2



6. Line up the two holes in one of the desk clamps (lower bracket) (3) with the two holes on the end of one of the desk clamps (upper bracket). Make sure that the hand screw on the desk clamp (lower bracket) is pointing downwards and away from the mounting arm.
7. Insert two of the M8x12 mm screws (11) through the holes in the desk clamp (lower bracket) and into the desk clamp (upper bracket).
8. Use the M5 hex key (9) to turn the screws clockwise to tighten them. (figure 3)
9. Repeat steps 6 to 8 for the second desk clamp (lower bracket).

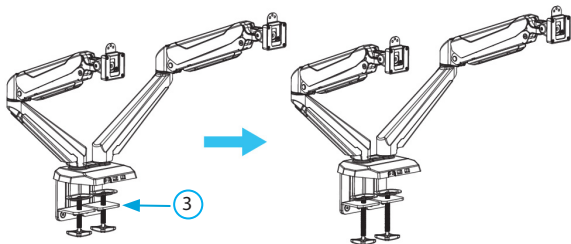
figure 3



Attach the mounting arm to a desk or table

1. Turn the hand screws on the desk clamps (lower bracket) (3) counterclockwise until you reach the thickness of the desk or table. (*figure 4*)
2. Slide the desk clamp over the edge of the desk or table and turn the hand screws on the desk clamps clockwise until the mounting arm is securely fastened to the desk or table.

figure 4



Attach the monitors to the VESA monitor mounts

Warning! To prevent scratching during the installation process, you should handle the surface of the monitors with care.

Do one of the following:

- To install monitors that have a flush installation surface, insert four of the M4x12 mm screws (5) through one of the VESA monitor mounts (4) and into the mounting holes on the back of the monitor. Use a Phillips screwdriver to tighten the screws. Repeat the steps for the second monitor that you're attaching. (figure 5)
- To install monitors that have a recessed installation surface, insert four of the M4x30 mm screws (6) through one of the VESA monitor mounts (4), into four of the plastic spacers (7), and into the mounting holes on the back of the monitor. Use a Phillips screwdriver to tighten the screws. Repeat the steps for the second monitor that you're attaching. (figure 6)

figure 5

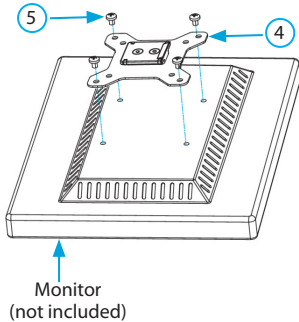
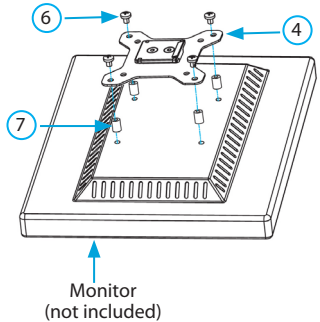


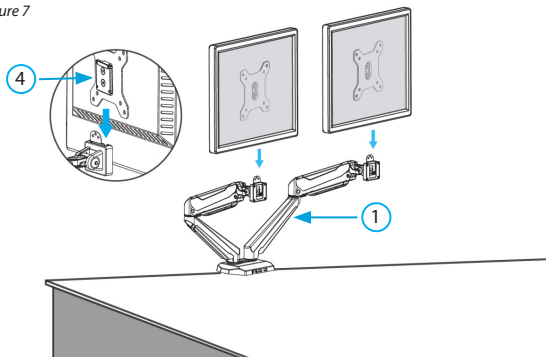
figure 6



Attach the VESA monitor mounts to the mounting arm

1. Slide one of the VESA monitor mounts (4) with the monitor attached into the slot on one of the mounting arms (1). (figure 7)
2. Repeat step 1 for the second monitor that you're attaching.

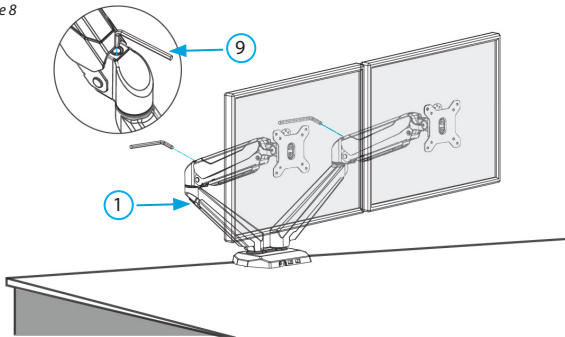
figure 7



3. If the monitor doesn't stay in place or the movement is stiff, do one of the following:

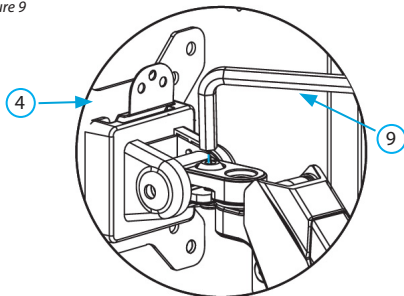
- To increase the tension, use the M5 hex key (9) to turn the screws in the monitor arms clockwise. (figure 8)
- To decrease the tension, use the M5 hex key (9) to turn the screws in the monitor arms counterclockwise. (figure 8)

figure 8



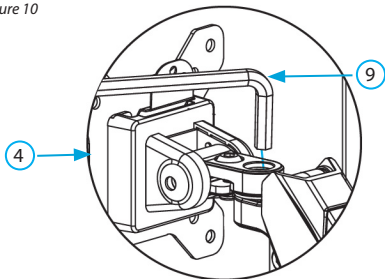
4. To change the tilt tension, use the M5 hex key to turn the screws closest to the VESA monitor mounts clockwise or counterclockwise. (figure 9)

figure 9



5. To change the swivel tension, use the M5 hex key to turn the second screws from the VESA monitor mounts clockwise. (figure 10)

figure 10



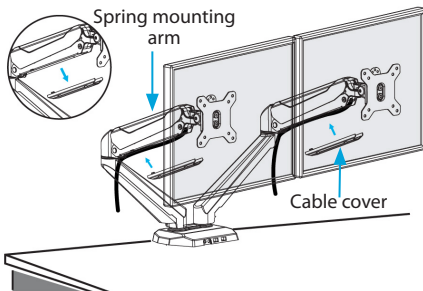
To remove a VESA monitor mount from the mounting arm, press the metallic tab on the back of the monitor mount and pull it up off of the mounting arm.

Route the cables

Make sure that the cables that you're routing are unplugged before you complete the following steps.

1. Remove the cable covers from the spring mounting arms.
2. Run the cables along one of the spring mounting arms and hold the cables in place while you snap the cable covers back onto the spring mounting arm. (figure 11)
3. Repeat step 2 for the second set of cables.

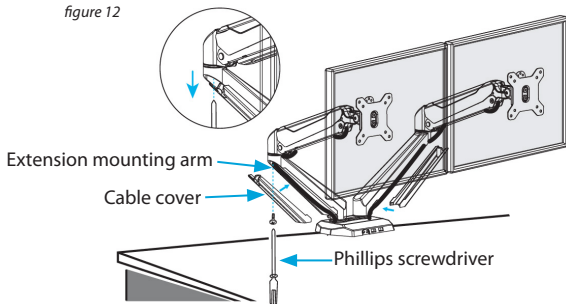
figure 11



4. Use a Phillips screwdriver to remove the cable covers from the extension mounting arms.
5. Place the cables inside one of the cable covers and use the Phillips screwdriver to reattach the cable cover to one of the extension mounting arms. (figure 12)
6. Repeat steps 4 and 5 for the second set of cables.

Warning! Make sure that you leave enough slack at the arm joints so that the arms can be fully extended.

figure 12

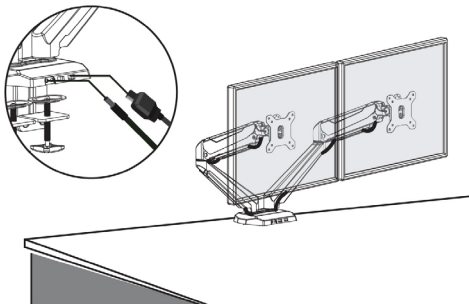


Manage your cables

You can use the integrated pass-through ports on the ARMSLIMDUO to conveniently extend your computer connections to the base of the monitor mount and keep your cables organized. To avoid cluttering your desk with cables, you can plug your devices into the monitor mount instead of directly into your computer system.

- Do any of the following:
 - Plug the green audio cable jack located at the back of the monitor mount into the appropriate audio port on your computer. Plug the audio cable from your headset or speakers into the green **Audio port** on the base of the mounting arm.
 - Plug the pink microphone cable located at the back of the monitor mount into the microphone port on your computer. Plug the cable from your microphone into the pink **Microphone port** on the base of the mounting arm.
 - Plug the USB cables located at the back of the monitor mount into the USB ports on your computer. Plug the cables from your USB devices into the **USB ports** on the base of the mounting arm.

figure 13



Technical support

StarTech.com's lifetime technical support is an integral part of our commitment to provide industry-leading solutions. If you ever need help with your product, visit www.startech.com/support and access our comprehensive selection of online tools, documentation, and downloads.

For the latest drivers/software, please visit www.startech.com/downloads

Use of Trademarks, Registered Trademarks, and other Protected Names and Symbols

This manual may make reference to trademarks, registered trademarks, and other protected names and/or symbols of third-party companies not related in any way to StarTech.com. Where they occur these references are for illustrative purposes only and do not represent an endorsement of a product or service by StarTech.com, or an endorsement of the product(s) to which this manual applies by the third-party company in question. Regardless of any direct acknowledgement elsewhere in the body of this document, StarTech.com hereby acknowledges that all trademarks, registered trademarks, service marks, and other protected names and/or symbols contained in this manual and related documents are the property of their respective holders.

Warranty information

This product is backed by a two-year warranty.

StarTech.com warrants its products against defects in materials and workmanship for the periods noted, following the initial date of purchase. During this period, the products may be returned for repair, or replacement with equivalent products at our discretion. The warranty covers parts and labor costs only. StarTech.com does not warrant its products from defects or damages arising from misuse, abuse, alteration, or normal wear and tear.

Limitation of liability

In no event shall the liability of StarTech.com Ltd. and StarTech.com USA LLP (or their officers, directors, employees or agents) for any damages (whether direct or indirect, special, punitive, incidental, consequential, or otherwise), loss of profits, loss of business, or any pecuniary loss, arising out of or related to the use of the product exceed the actual price paid for the product. Some states do not allow the exclusion or limitation of incidental or consequential damages. If such laws apply, the limitations or exclusions contained in this statement may not apply to you.

Hard-to-find made easy. At StarTech.com, that isn't a slogan. It's a promise.

StarTech.com is your one-stop source for every connectivity part you need. From the latest technology to legacy products — and all the parts that bridge the old and new — we can help you find the parts that connect your solutions.

We make it easy to locate the parts, and we quickly deliver them wherever they need to go. Just talk to one of our tech advisors or visit our website. You'll be connected to the products you need in no time.

Visit www.startech.com for complete information on all StarTech.com products and to access exclusive resources and time-saving tools.

StarTech.com is an ISO 9001 Registered manufacturer of connectivity and technology parts. StarTech.com was founded in 1985 and has operations in the United States, Canada, the United Kingdom and Taiwan servicing a worldwide market.