

Preparation for ceiling- or wall mounting

Use the mounting plate as a drilling template to mark out the drill holes. Depending on the surface material the required size of the holes may vary. If required, drill a hole into the ceiling board to feed-through the connector cables. Alternatively, you can use the integrated cable duct on the access point to lead the cables sideways.

Mounting to other surfaces

For mounting the device to other surfaces than described here, you may need different mounting accessories (screws, dowels, etc.). Pre-drilling may not be necessary when using the included self-drilling screws.

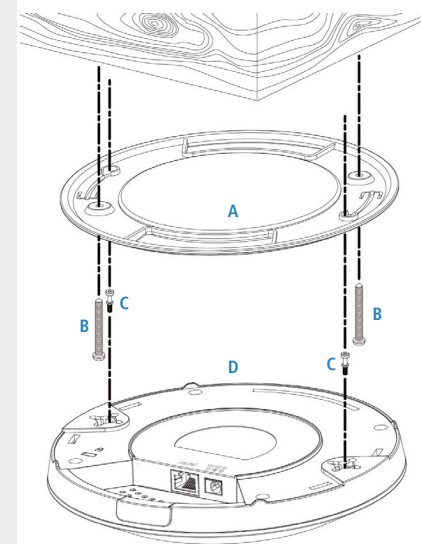
Mounting the access point**Ceiling mounting to a wooden ceiling**

Included:
1 mounting plate (A), 2 screws 2.6*31 mm (B),
2 screws 2.6*5.2/6.3 mm (C)

Place the mounting plate A to a ceiling in your desired location, insert the screws B through the appropriate holes, and tighten the screws to fix the plate in place.

When the mounting plate is in place, insert the screws C into the appropriate holes of the access point D.

Place the access point on the ceiling mounting plate by inserting the attached screws C into the appropriate holes of the mounting plate. Then twist the access point D clockwise until it clicks into place.

**Mounting to a drywall ceiling**

Included:

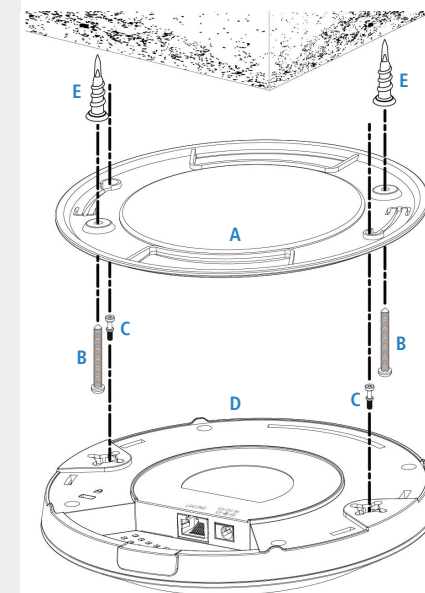
1 mounting plate (A), 2 self-drilling screws 40 mm (E),
2 screws 3.6*31 mm (B), 2 screws 2.6*5.2/6.3 mm (C)

Screw the self-drilling screws E to the ceiling at the previously marked positions. Screw as tight as possible until the screw heads are flush-mounted to the ceiling to make it possible to place the mounting plate A flat to the ceiling surface in the next step.

Now align the mounting plate A with its appropriate holes to the previously mounted self-drilling screws E, so that the screws B can be screwed through the holes in the mounting plate into the screw heads of the self-drilling screws E. Tighten the screws B until the mounting plate rests backlash-free on the mounting surface.

When the mounting plate is in place, insert the screws C into the appropriate holes of the access point D.

Place the access point on the mounting plate by inserting the attached screws C into the appropriate holes of the mounting plate. Then twist the access point D clockwise until it clicks into place.

**T-rail mounting**

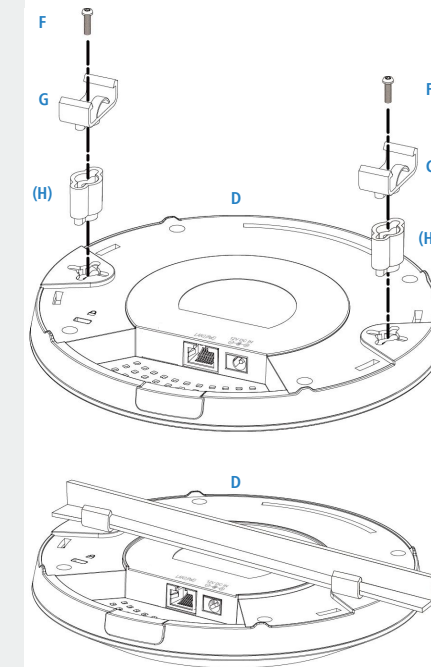
Included:

4 thread screws (2 pcs. 2.6*10 mm, 2 pcs. 2.6*25 mm (F)),
4 T-rail brackets (2 pcs. 15.5 mm, 2 pcs. 24.9 mm (G)),
2 spacers (H)

Select the correct size of T-rail brackets G from the two sizes which are included in the package contents.

Attach the T-Rail brackets G to the appropriate holes in the access point using the short screws F as shown. If you need more space between the access point and the T-Rail, then additionally use the spacers H between the brackets and the holes, and use the longer screws F included in the package contents.

Clip the access point D on to your T-Rail using the previously attached T-Rail bracket.

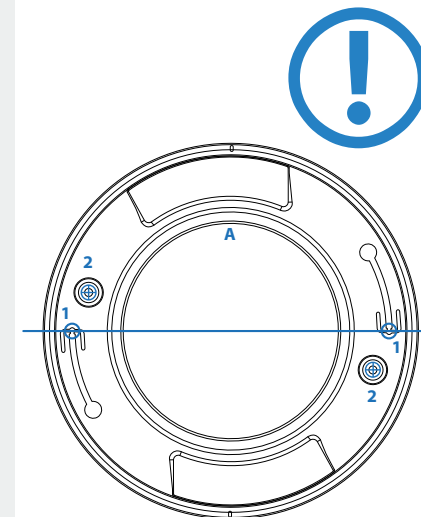
**Wall mounting with mounting plate**

Included (as listed in chapter **Mounting to a drywall ceiling**):

1 mounting plate (A), 2 self-drilling screws 40 mm (E),
2 screws 3.6*31 mm (B), 2 screws 2.6*5.2/6.3 mm (C)

Fixing the mounting plate to the wall

Place the mounting plate A to a wall in your desired location and rotate the plate to make sure that the end points 1 of the locking mechanism for fastening the access point are horizontally aligned. In this position, use the mounting plate as a drilling template to mark the position of the two holes 2. After having drilled the holes, use either the screws B, B and E (as described in chapter **Mounting to a drywall ceiling**), or your own mounting material to fix the mounting plate to the wall, depending on the wall material.

**Preparing the access point**

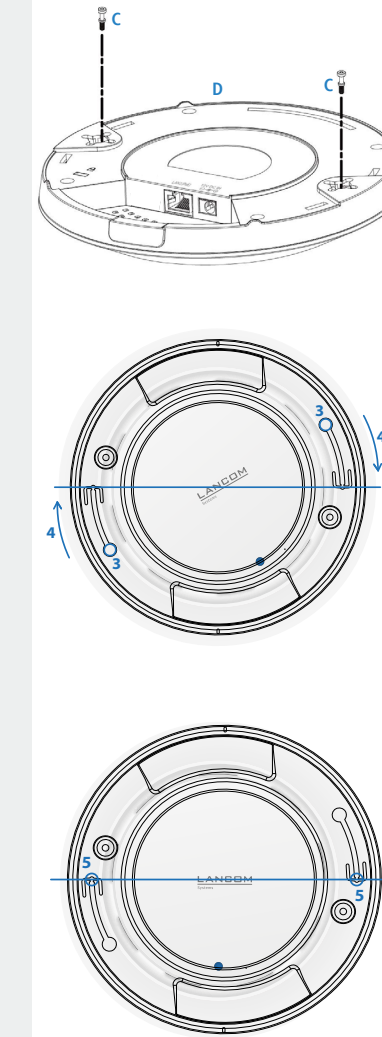
Insert the screws C into the appropriate holes of the access point D.

Fixing the access point to the mounting plate

Place the access point on the mounting plate by inserting the attached screws C into the appropriate holes 3 of the mounting plate.

Then twist the access point clockwise (4) until it clicks into place.

The screws C are now locked in their end positions 5 and the access point is fixed to the mounting plate.



LANCOM LW-500 / LW-600

Mounting instructions

