



ICY BOX IB-MS303-T

Monitor stand with table support for one monitor up to 27" (68 cm)

Key features

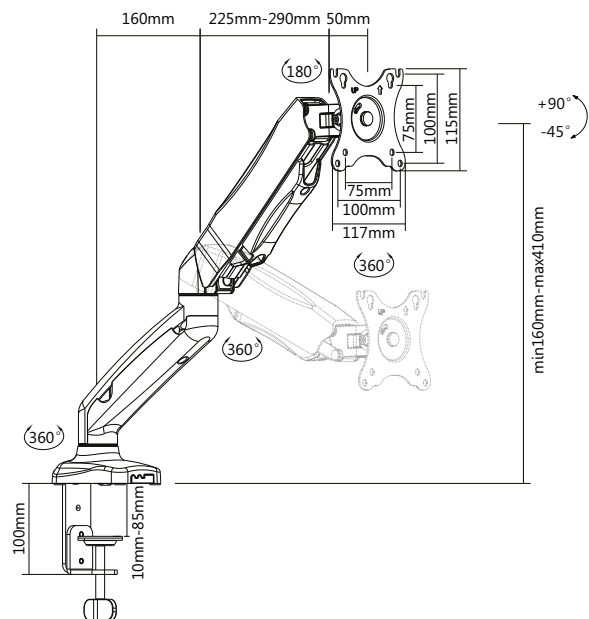
- Creates space on the desktop and provides a more flexible and productive workspace
- Well-engineered design slim and ergonomic
- Smart Torque Adjust™ built-in spring gauge can be adjusted to suit various monitor weights
- Gas spring counterbalance moves the monitor with a light touch
- Cable management routes cables under the arm to reduce clutter for a clean look
- Grommet and desk mount base suit most desks with adjustable clamp height
- Pear-shaped VESA® slot simplifies the mounting of the monitor
- Supports 75x75 und 100x100 VESA® standards

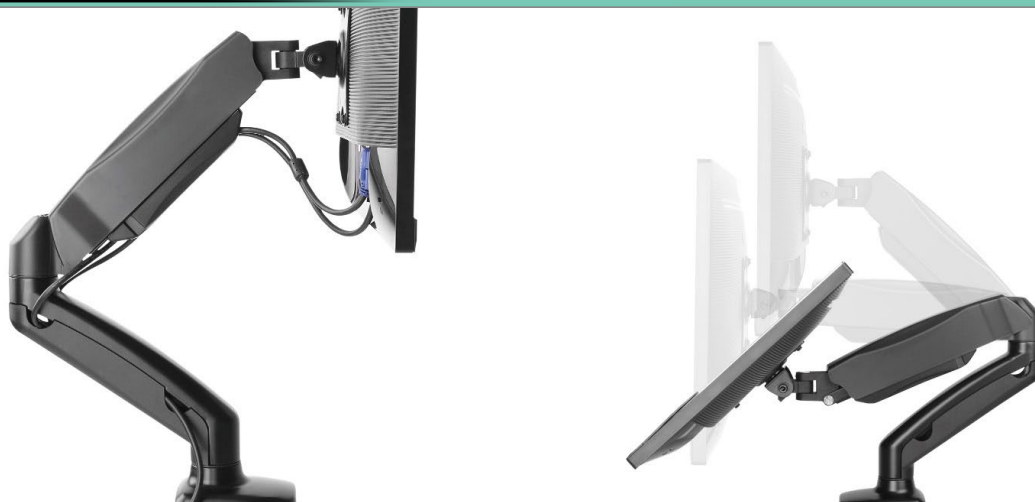


Packing content
IB-MS303-T, allen wrench, set of screws, quick installation

Technical data

Model	IB-MS303-T
Article no.	60469
EAN	4250078168515
Brand	ICY BOX
Colour	Black
Material	Steel / plastic / aluminum alloy
Maximum size of monitor	27"
Number of monitors	1
Max. weight of monitor	Up to 6.5 kg/monitor
Max. arm extend (center of VESA® support)	Up to 500 mm
Max. arm height (center of VESA® support)	Up to 410 mm
VESA® - swivel (hinge)	+/- 90° horizontal
VESA® - tilt (hinge)	+ 90°/-45° vertical
Arm - tilt	+/- 45° vertical
VESA® - rotate (pivot)	+/- 90° horizontal
Base - rotate (pivot)	360° vertical
VESA® compatible	75x75 / 100x100 mm
Mounting	Full metall clamp or grommet base
Table thickness	10-85 mm





ICY BOX **IB-MS303-T** Monitor stand with table support for one monitor up to 27"



Requirements

The bracket is suitable for monitors with a screen diagonal up to 27" and the VESA® standards 100x100 and 75x75. It is important that the monitor should not exceed a maximum weight of 6.5 kg.



With firm hold

The desk mount allows the IB-MS303-T to be attached to desks. The ingenious design ensures a uniformly distributed weight and firm hold on the desk.



Movable

No matter how you like to work - the different joints can be moved in many angles. This allows the monitor to be aligned exactly as required. A full rotation of 360° is possible, just like adjusting the height, inclination or distance to the wall.

Logistical data

Packing unit: 6 pcs./carton
Total weight: 17.34 kg/carton
Gross weight (with packing): 2.7 kg
Net weight: 2.3 kg

Dimension/carton: 430x605x410 mm
Dimension (with packing): 125x405x295 mm
Dimension of article: 150x500x410 mm
Country of origin: China