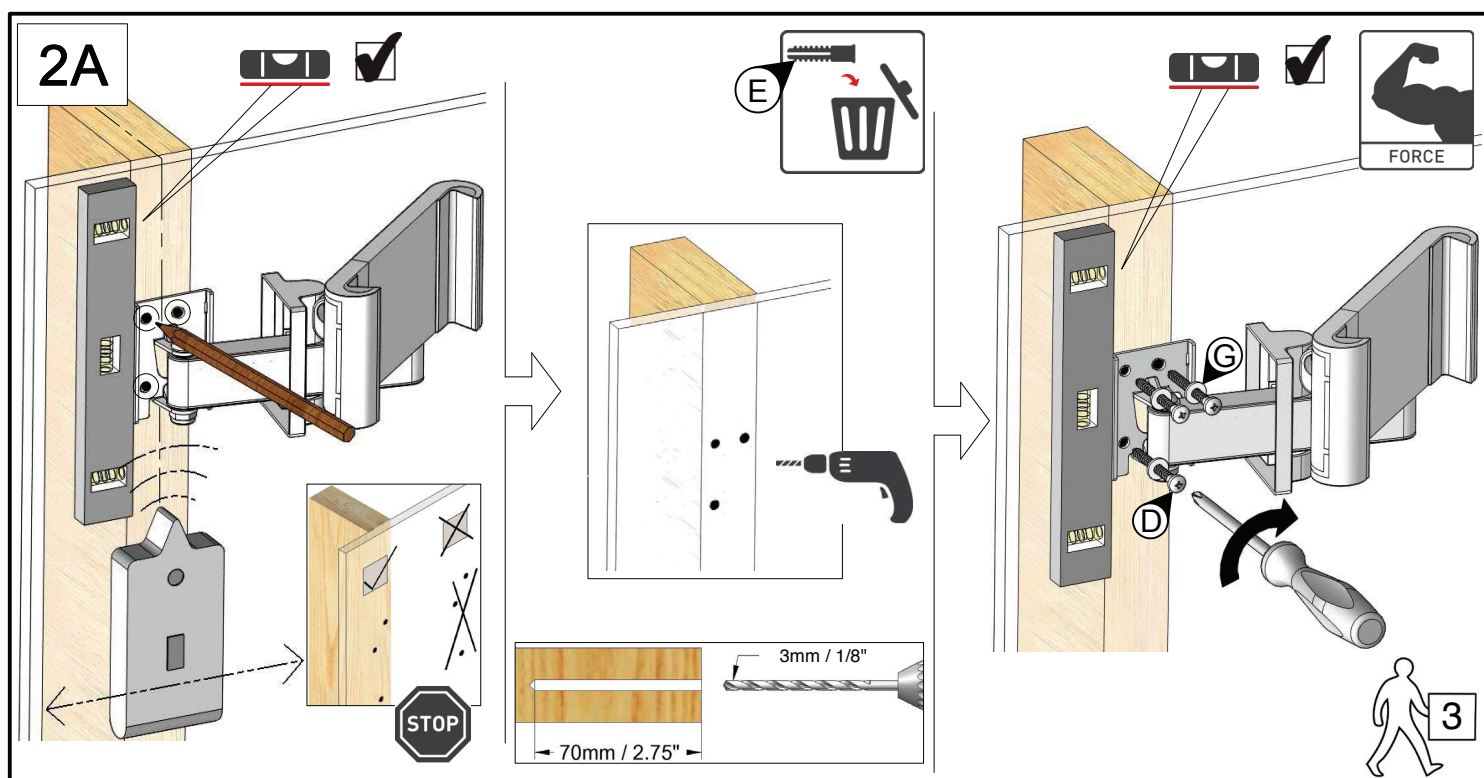
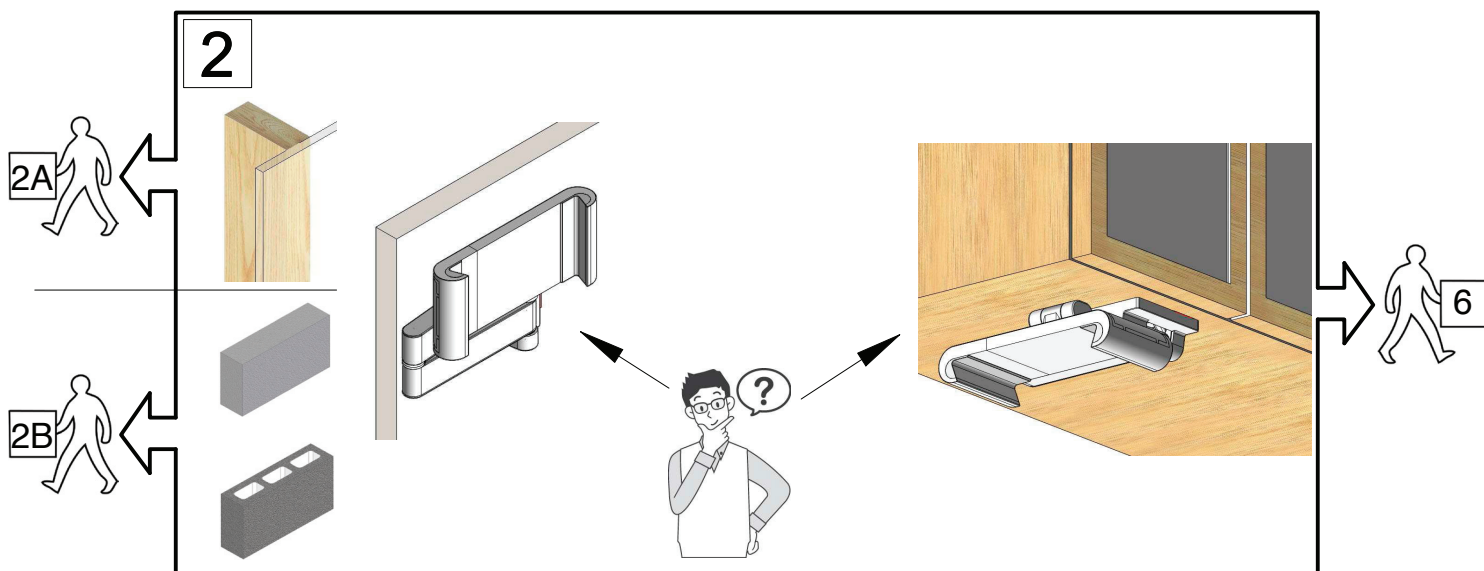
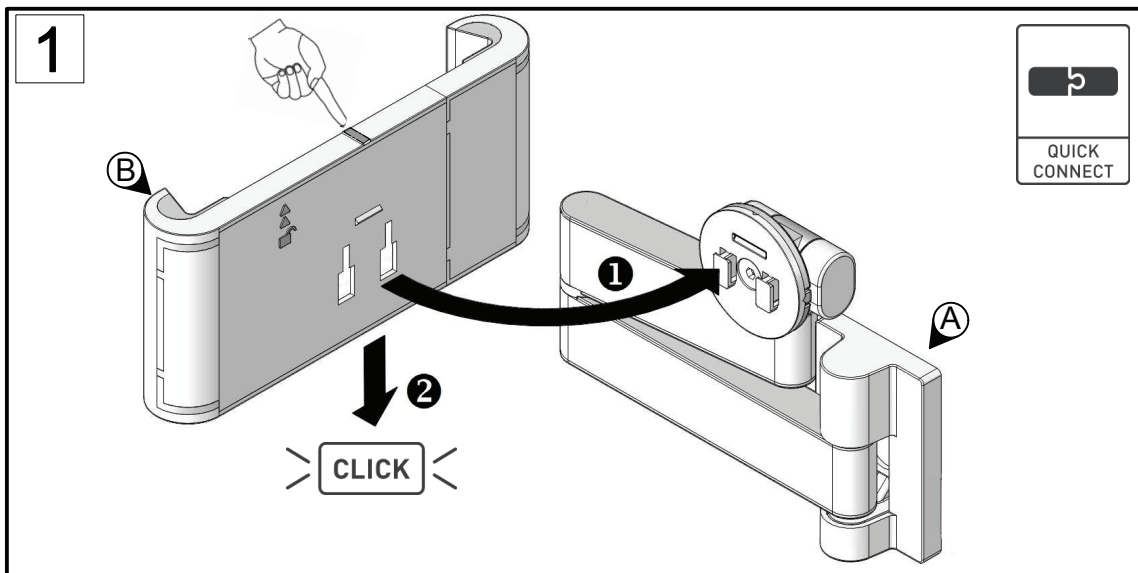




Fits all Tablets 7" - 12" / 17.8 - 30.5cm	Max	
	US 2.2 lbs	EU 1 kg



A x1	B x1	C x1	D x3
E x3	F x3	G x3	H x3



2B

This section illustrates the preparation and initial mounting of the device. It includes a leveling guide with a spirit level and a checkmark, a warning section with 'STOP' signs and a 'DANGER' symbol, and two drilling instructions: 1) a 4mm / 5/32" drill bit for a 70mm / 2.75" hole, and 2) an 8mm / 5/16" drill bit for a 70mm / 2.75" hole. A 'PLASTER COATING' detail shows a 10mm / 3/8" depth. The mounting process is shown with screws being inserted into a wall, with a 'FORCE' icon and a '3' icon indicating the final position.

STOP

STOP

DANGER

4mm / 5/32"

70mm / 2.75"

8mm / 5/16"

70mm / 2.75"

10mm / 3/8"

PLASTER COATING

FORCE

3

3

TEST!

This diagram shows a hand applying force to the device to test its stability. A 'TEST!' label is present. Below, a comparison shows a correct installation (green checkmark) and an incorrect one (red X). A weight of 5kg / 11lbs is indicated.

5kg / 11lbs

4

This diagram shows the device being tilted. Arrows labeled '1' and '2' indicate the direction of movement.

5

This diagram shows the device being rotated and tilted. A '360°' rotation icon and a 'TILT' icon are shown. A 'FINISH' icon with a person celebrating is at the bottom right.

360°

360° ROTATION

TILT

FINISH

