

Model CD-200 / CD-201 / CD-202



User Manual	Portable CD/MP3 Player with anti-shock and Charge Function
Gebruiksaanwijzing	Draagbare CD-/MP3-speler met schokbeveiliging en laadfunctie
Bedienungsanleitung	Tragbarer CD/MP3-Player mit Erschütterungsschutz und Ladefunktion
Mode d'emploi	Lecteur CD / MP3 portable antichoc et fonction de chargement
Manual del usuario	Reproductor de CD/MP3 portátil con función de carga y protección contra golpes
Manuale dell'utente	Lettore CD/MP3 portatile con funzione antiurto e carica

Index

English	3
Nederlands	14
Deutsch	26
Français	38
Español	49
Italiano	60

CAUTION:

Usage of controls or adjustments or performance of procedures other than those specified herein may result in hazardous radiation exposure.

PRECAUTIONS BEFORE USE

KEEP THESE INSTRUCTIONS IN MIND:

1. Do not cover or block any ventilation openings. When placing the device on a shelf, leave 5 cm (2") free space around the whole device.
2. Install in accordance with the supplied user manual.
3. Keep the device away from heat sources such as radiators, heaters, stoves, candles and other heat-generating products or naked flame. The device can only be used in moderate climates. Extremely cold or warm environments should be avoided. Working temperature between 0° and 35°C.
4. Avoid using the device near strong magnetic fields.
5. Electrostatic discharge can disturb normal usage of this device. If so, simply reset and restart the device following the instruction manual. During file transmission, please handle with care and operate in a static-free environment.
6. Warning! Never insert an object into the product through the vents or openings. High voltage flows through the product and inserting an object can cause electric shock and/or short circuit internal parts. For the same reason, do not spill water or liquid on the product.
7. Do not use in wet or moist areas such as bathrooms, steamy kitchens or near swimming pools.
8. The device shall not be exposed to dripping or splashing and make sure that no objects filled with liquids, such as vases, are placed on or near the apparatus.
9. Do not use this device when condensation may occur. When the unit is used in a warm wet room with damp, water droplets or condensation may occur inside the unit and the unit may not function properly; let the unit stand in power OFF for 1 or 2 hours before turning on the power: the unit should be dry before getting any power.
10. Although this device is manufactured with the utmost care and checked several times before leaving the factory, it is still possible that problems may occur, as with all electrical appliances. If you notice smoke, an excessive build-up of heat or any other unexpected phenomena, you should disconnect the plug from the main power socket immediately.
11. This device must operate on a power source as specified on the specification label. If you are not sure of the type of power supply used in your home, consult your dealer or local power company.
12. Keep away from animals. Some animals enjoy biting on power cords.
13. To clean the device, use a soft dry cloth. Do not use solvents or petrol based fluids. To remove severe stains, you may use a damp cloth with dilute detergent.
14. The supplier is not responsible for damage or lost data caused by malfunction, misuse, modification of the device or battery replacement.
15. Do not interrupt the connection when the device is formatting or transferring files. Otherwise, data may be corrupted or lost.
16. If the unit has USB playback function, the USB memory stick should be plugged into the unit directly. Don't use an USB extension cable because it can cause interference resulting in failing of data.
17. The rating label has been marked on the bottom or back panel of the device.
18. This device is not intended for use by people (including children) with physical, sensory or mental disabilities, or a lack of experience and knowledge, unless they're under supervision or have received instructions about the correct use of the device by the person who is responsible for their safety.
19. This product is intended for non professional use only and not for commercial or industrial use.
20. Make sure the unit is adjusted to a stable position. Damage caused by using this product in an unstable position vibrations or shocks or by failure to follow any other warning or precaution contained within this user manual will not be covered by warranty.
21. Never remove the casing of this device.
22. Never place this device on other electrical equipment.

23. Do not allow children access to plastic bags.
24. Only use attachments/accessories specified by the manufacturer.
25. Refer all servicing to qualified service personnel. Servicing is required when the device has been damaged in any way, such as the power supply cord or the plug, when liquid has been spilled or objects have fallen into the device, when the device has been exposed to rain or moisture, does not operate normally, or has been dropped.
26. Long exposure to loud sounds from personal music players may lead to temporary or permanent hearing loss.
27. If the product is delivered with power cable or AC power adaptor:
 - If any trouble occur, disconnect the AC power cord and refer servicing to qualified personnel.
 - Don't step on or pinch the power adaptor. Be very careful, particularly near the plugs and the cable's exit point. Do not place heavy items on the power adaptor, which may damage it. Keep the entire device out of children's reach! When playing with the power cable, they can seriously injure themselves.
 - Unplug this device during lightning storms or when unused for a long period.
 - The socket outlet must be installed near the equipment and must be easily accessible.
 - Do not overload ac outlets or extension cords. Overloading can cause fire or electric shock.
 - Devices with class 1 construction should be connected to a main socket outlet with a protective earthed connection.
 - Devices with class 2 construction do not require a earthed connection.
 - Always hold the plug when pulling it out of the main supply socket. Do not pull the power cord. This can cause a short circuit.
 - Do not use a damaged power cord or plug or a loose outlet. Doing so may result in fire or electric shock.
28. If the product contains or is delivered with a remote control containing coin/cell batteries:

Warning:

 - "Do not ingest battery, Chemical Burn Hazard" or equivalent warning.
 - [The remote control supplied with] This product contains a coin/button cell battery. If the battery is swallowed, it can cause severe internal burns in just 2 hours and can lead to death.
 - Keep new and used batteries away from children.
 - If the battery compartment does not close securely, stop using the product and keep it away from children.
 - If you think batteries might have been swallowed or placed inside any part of the body, seek immediate medical attention.
29. Caution about the use of Batteries:
 - Danger of explosion if battery is incorrectly replaced. Replace only with the same or equivalent type.
 - Battery cannot be subjected to high or low extreme temperatures, low air pressure at high altitude during use, storage or transportation.
 - Replacement of a battery with an incorrect type that can result in an explosion or the leakage of flammable liquid or gas.
 - Disposal of a battery into fire or a hot oven, or mechanically crushing or cutting of a battery, that can result in an explosion.
 - Leaving a battery in an extremely high temperature surrounding environment that can result in an explosion or that leakage of flammable liquid or gas.
 - A battery subjected to extremely low air pressure that may result in an explosion or the leakage of flammable liquid or gas.
 - Attention should be drawn to the environmental aspects of battery disposal.


INSTALLATION

- Unpack all parts and remove protective material.
- Do not connect the unit to the mains before checking the mains voltage and before all other connections have been made.


Warning for CD / DVD player :

WARNING

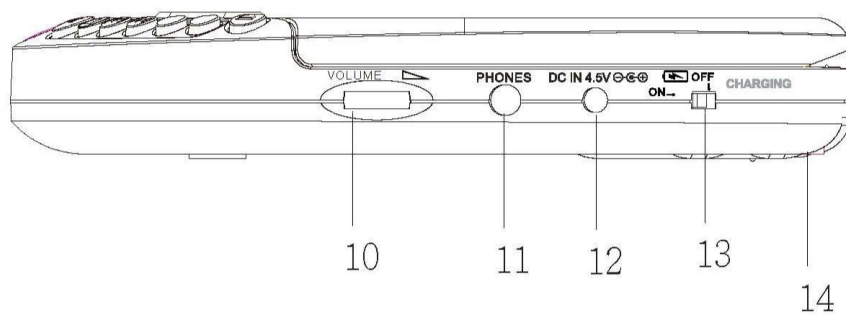
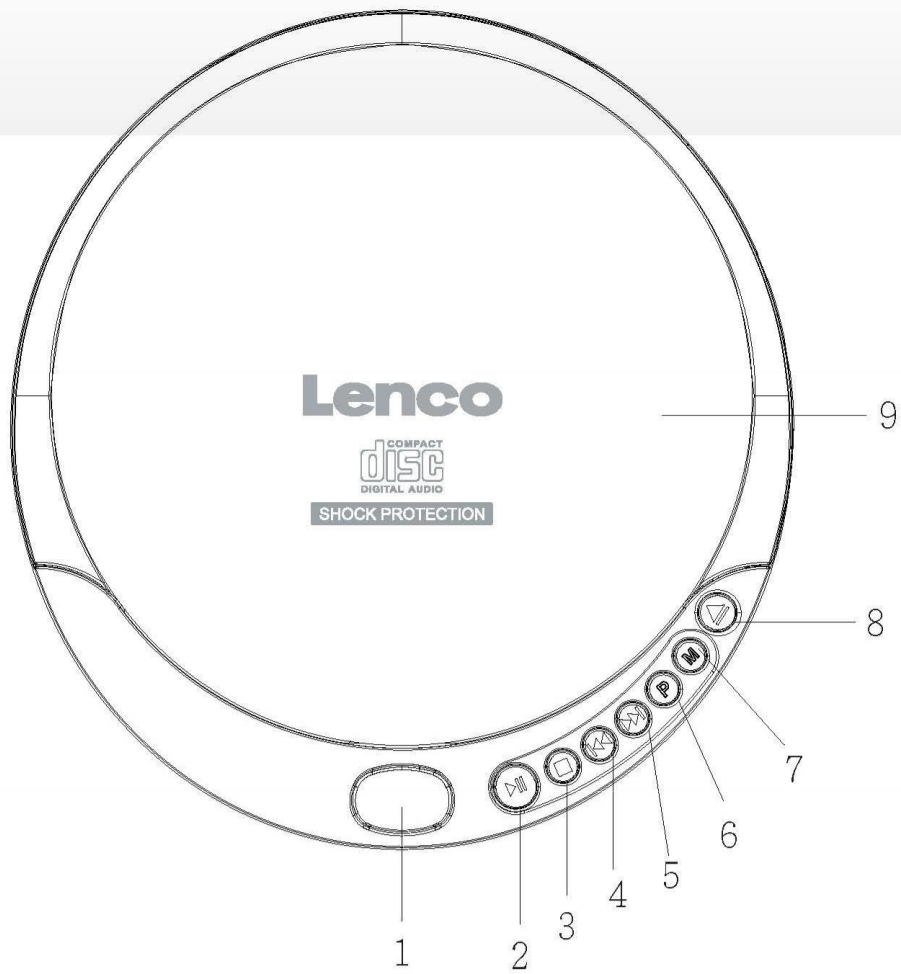
Class 1 Laser Product

CLASS 1 LASER PRODUCT APPAREIL À LASER DE CLASSE 1 PRODUCTO LASER DE CLASE 1	CAUTION INVISIBLE LASER RADIATION WHEN OPEN AND INTERLOCKS DEFEATED. AVOID EXPOSURE TO BEAM	
This product contains a low power laser device.		

Warning : Do not touch the lens.

	WARNING: When participating in the traffic listening to a personal music player can make the listener less aware of potential dangers such as approaching cars.
WARNING: To prevent possible hearing damage, do not listen at high volume levels for long periods.	

1. DESCRIPTION OF THE UNIT



1. LCD DISPLAY
2. PLAY/PAUSE button
3. STOP button
4. SKIP-/SEARCH button
5. SKIP+/SEARCH button
6. PROGRAM button
7. MODE button
8. OPEN SWITCH button
9. CD DOOR
10. VOLUME button
11. PHONE JACK
12. DC INPUT JACK
13. BATTERY CHARGE SWITCH
14. BATTERY COMPARTMENT

ACCESSORY

1. Stereo Earphone
2. USB plug to DC jack cable

2. Function

POWER ON

Use with regular batteries (not included)

1. Open the battery compartment door, located on the bottom of the unit, by sliding the door and lift it up. (Do not remove the battery door).
2. Insert 2 x 1.5V/UM-3/AA size alkaline batteries, following the correct polarity, as indicated in the battery compartment.
3. Close the battery compartment door.
4. Make sure that the battery charging switch (13) on the side is in OFF position. NEVER USE REGULAR BATTERIES WITH THE CHARGE SWITCH ON!

Use with AC/DC adaptor or USB adaptor (not included)

1. Insert the DC plug, at the end of the AC/DC adaptor cord or connect USB Plug to DC jack cable with USB adaptor, into the DC 4.5 V INPUT socket (12) located on the side of the unit.
2. Connect the AC/DC or USB adaptor into a 100-240V ~ 50/60 Hz AC power outlet.

Notes:

If the AC/DC or USB adaptor is connected when regular batteries are installed, the power supply automatically switches to the AC power source.

If you want to use a AC/DC adaptor, please use only 4.5V model with the correct polarity.

Make sure that the AC/DC or USB adaptor matches with your household voltage before connecting it into the wall outlet.

When not using AC power, disconnect the AC/DC or USB adaptor from the wall outlet.

Do not touch the AC/DC or USB adaptor with wet hands.

Use rechargeable batteries (not included)

1. Disconnect the AC/DC or USB adaptor from the wall outlet if it is being connected to the unit.
2. Open the battery compartment door as mentioned previously.
3. Insert 2 rechargeable batteries, following the correct polarity as indicated in the battery compartment.
4. Close the battery compartment door.
5. Move the BATTERY CHARGE SWITCH (13) to ON to start recharging function.
6. After 15 hours of charging, set the BATTERY CHARGE SWITCH (13) to OFF.

Indication about playing time of fully charged rechargeable batteries

- 2 x 700 mAh should play about 3-4 hours.
- 2 x 2800 mAh should play about 12-14 hours.

Cautions:

DO NOT mix the rechargeable and regular batteries.

DO NOT charge continuously for 24 hours or more, otherwise it will deteriorate the performance of the rechargeable batteries.

DO NOT try to charge normal (not rechargeable) batteries. They can explode!

Notes:

If the rechargeable batteries are being charged for the first time, it will take approximately 15 hours to be fully charged. If the operating time decreases drastically even when the rechargeable batteries are properly recharged, purchase a new set of rechargeable batteries.

EARPHONES

Connect the stereo earphones (included) to the Phones jack (11).

CD/MP3 PLAYBACK

1. Connect the earphones (included) or optional headphones into the Phones jack.
2. Press the Door Open button (8) to open the CD compartment door.
3. Insert a disc with the label side facing up.
4. Close the CD compartment door until a click is heard.
5. Set the VOLUME control (10) to minimum.
6. Press the PLAY/PAUSE button (2), the unit power will turn on automatically and show the number of the tracks and time for CD. The total number of folders and tracks for CD MP3 appear on the display: Playback starts. During playback, the actual track and the elapsed time appear.
CD + MP3
7. Adjust the VOLUME control to your desired listening level.
8. To stop playback temporarily, press the PLAY/PAUSE button (2) once. The elapsed time will flash and track number appears on the display. Press the PLAY/PAUSE button again to resume playback.
9. To stop playback, press the STOP (3) button once.
10. To turn the unit off, press the STOP (3) twice.

Notes:

When the CD door is accidentally opened during playback, "Open" will appear on the display.

Wait until the disc is fully stopped before pressing the OPEN (8) button.

LOCATING A PARTICULAR TRACK OR POINT OF THE TRACK

1. Press the BACKWARD (4) button once to go back to the beginning of the current track.
2. Press the BACKWARD button repeatedly to go back to previous tracks.
3. Press the FORWARD (5) button repeatedly to go to next tracks.
4. Press and hold either FORWARD or BACKWARD button to search backwards or forwards, at high speed, a particular point of track. Low level audio will be heard during the search process to assist in locating the correct point in the track.

REPEAT PLAYBACK

1. Press the PLAY/PAUSE button (2).
2. To repeat the same track, press the MODE button (7) once during PLAYBACK. "REP 1" will appear on the display. CD will start single track repeat playback until STOP button (3) is pressed. Press the MODE button (7) 5 times to cancel single repeat. The 'REP 1' indicator disappears from the display.
3. To repeat the entire ALBUM, press the MODE button (7) twice. "REP ALL" will appear on the display. Press the MODE button (7) 3 times to cancel all Album repeat. The 'REP ALL' indicator disappears from the display.
4. To repeat the entire MP3 disc, press the MODE (7) button (6) three times. "REP DIR" will appear on the display. Press the MODE button (7) 3 times to cancel all disc repeat. The "REP DIR" indicator disappears from the display.

RANDOM PLAY

1. Press the MODE button (7) 4 times to enter the Random mode. "RND" appears on the display, then the CD start playback of all tracks of all album in Random order.
2. Press SKIP button to go to next Random track.
3. Press the MODE button (7) twice more to return to the Normal Playback mode.

INTRO PLAY

1. Press the PLAY/PAUSE button (2).
2. Press the MODE button (7) 5 times to enter the Intro mode, 'INTRO' appears on the display.
3. Press PLAY, the CD start play the first 10 seconds of each track of each album on the CD.

4. Press MODE button (7) one more to cancel Intro playback and resume normal playback.
5. Power is turned off automatically after 60 seconds, when all tracks have been played.

PROGRAM PLAY

1. Press the PLAY/PAUSE button (2) and after 8 seconds the STOP button (3).
2. Press the PROG button (6), the following will appear on the display: (001 P-01) and the 001 will flash.
3. Press the SKIP Forward and Backward (4,5) buttons to select the desired track to be programmed and press PROG button (6) once to confirm.
4. Repeat the step 3 to program up to 20 tracks.
5. Press PLAY/PAUSE button (2) once to start programmed playback.
6. To cancel programmed playback, press the STOP button (3) twice, when pressing STOP button (3) once, you can restart programmed play within 30 seconds. (After stopping music play the unit will go into standby mode after 30 seconds to save the batteries). When programmed playback is activated 'PROG' will be shown on the LCD display.

NOTES:

While playing an MP3 disc, press and release the PROG button (6) to make a jump of 10 tracks forward. Hold down the button for about 0.5 seconds to play the first track in the next folder if there are multiple folders on disk. (The following function is active only when playing MP3 discs)

AUTO-RESUME FUNCTION

For activating auto-resume function, you need to press STOP button (3) twice. The player will be turned off. Press play button (2) once to power on the player and resume playing at the point of previous stop. If you press the stop button only once, the player will stop and not be powered off. If you start playback again the player will cancel the resume function and start playing from track 01.

Please note that auto-resume function is enabled only if the device is connected to some power source (DC cable or batteries).

ANTI-SHOCK FUNCTION

If in use, the player is likely to receive shocks or vibrations (i.e. whilst walking or in a moving vehicle). As soon as the PLAY/PAUSE button is pressed, the ASP function is automatically activated to allow uninterrupted playback. The 'ESP' indicator on the display will blink when device is in use, indicating the 'Electronic Skip Protection' is activated

Should the player receive shocks for more than 40 seconds continuously in CD playback or 100 seconds in MP3 playback, the sound can mute for a very short while and will resume once the player has stabilized from the shock.

The Anti-shock function will not correct the errors arising from the use of defective scratched or dirty discs.

ENERGY SAVING

If the unit cannot play for about 30 seconds, it turns off automatically.

3. Specifications

PORTABLE CD/MP3 PLAYER	CD-200/CD-201/CD-202
Plays discs	CD Audio, MP3 discs
Anti-shock protection	40 seconds = CD Audio, 100 seconds = MP3 discs
Output connector	3.5mm earphone socket
Mains Power	4.5V
Battery	3V 2x AA (not included)

1. Guarantee

Lenco offers service and warranty in accordance to European law, which means that in case of repairs (both during and after the warranty period) you should contact your local dealer.

Important note: It is not possible to send products that need repairs to Lenco directly.

Important note: If this unit is opened or accessed by a non-official service center in any way, the warranty expires.

This device is not suitable for professional use. In case of professional use, all warranty obligations of the manufacturer will be voided.

2. Disclaimer

Updates to Firmware and/or hardware components are made regularly. Therefore some of the instruction, specifications and pictures in this documentation may differ slightly from your particular situation. All items described in this guide for illustration purposes only and may not apply to particular situation. No legal right or entitlements may be obtained from the description made in this manual.

3. Disposal of the Old Device



This symbol indicates that the relevant electrical product or battery should not be disposed of as general household waste in Europe. To ensure the correct waste treatment of the product and battery, please dispose them in accordance to any applicable local laws of requirement for disposal of electrical equipment or batteries. In so doing, you will help to conserve

natural resources and improve standards of environmental protection in treatment and disposal of electrical waste (Waste Electrical and Electronic Equipment Directive).

4. CE Marking

Hereby, Commaxx B.V. Wiebachstraat 37, 6466 NG Kerkrade, The Netherlands, declares that this product is in compliance with the essential EU directive requirements.

The declaration of conformity may be consulted via techdoc@commaxxgroup.com



5. Service

For more information and helpdesk support, please visit www.lenco.com

Commaxx B.V. Wiebachstraat 37, 6466 NG Kerkrade, The Netherlands.

LET OP:

Het gebruik van afstandsbedieningen of aanpassingen of de uitvoering van procedures die niet in dit document zijn gespecificeerd, kan leiden tot gevaarlijke blootstelling aan straling.

VOORZORGSMAATREGELEN VOOR GEBRUIK

ONTHOUD DE VOLGENDE INSTRUCTIES:

1. Bedek of blokkeer de ventilatieopeningen niet. Wanneer u het apparaat op een schap plaatst, dient u 5 cm (2") vrije ruimte rondom het gehele apparaat te behouden.
2. Installeer het product volgens de meegeleverde gebruikershandleiding.
3. Houd het apparaat uit de buurt van hittebronnen, zoals radiatoren, verwarmingen, kachels, kaarsen en andere hittegenererende producten of open vuur. Het apparaat kan alleen worden gebruikt in een gematigd klimaat. Extreem koude of warme omgevingen dienen te worden vermeden. Het bedrijfstemperatuurbereik ligt tussen 0 °C en 35 °C.
4. Gebruik dit apparaat niet in de buurt van krachtige magnetische velden.
5. Elektrostatische ontlading kan normaal gebruik van dit apparaat verstoren. U hoeft het apparaat in dit geval slechts te resetten en opnieuw op te starten volgens de gebruikershandleiding. Wees voorzichtig tijdens bestandsoverdracht en gebruik het product in een omgeving zonder statische interferentie.
6. Waarschuwing! Steek nooit een voorwerp via de ventilatie- of andere openingen in het product. Er is hoogspanning in het product aanwezig en als u er een object insteekt, kan dat een elektrische schok veroorzaken en/of kortsluiting in de interne onderdelen. Mors om dezelfde reden geen water of vloeistof op het product.
7. Gebruik het toestel niet in vochtige ruimtes, zoals badkamers, stomende keukens of in de buurt van zwembaden.
8. Het apparaat mag niet worden blootgesteld aan druppels en spetters en zorg ervoor dat er geen met vloeistof gevulde voorwerpen, zoals vazen, op of in de buurt van het apparaat worden geplaatst.
9. Gebruik dit apparaat niet wanneer condensatie kan optreden. Wanneer het apparaat in een warme, natte ruimte wordt gebruikt, kunnen zich waterdruppels of condens vormen in het apparaat en kan het apparaat niet goed functioneren. Laat het apparaat 1 of 2 uur uit staan voordat u het inschakelt: het apparaat dient droog te zijn voordat deze stroom ontvangt.
10. Alhoewel dit apparaat met grote zorg gefabriceerd en verschillende keren geïnspecteerd is voordat het de fabriek verlaat, is het nog steeds mogelijk dat er problemen optreden, zoals met alle elektrische apparaten. Als u rook, een overmatige hitteontwikkeling of enig ander onverwacht verschijnsel opmerkt, moet u onmiddellijk de stekker van het netsnoer uit het stopcontact halen.
11. Dit apparaat moet worden gebruikt met een voedingsbron zoals gespecificeerd op het specificatielabel. Als u twijfelt over het type voeding dat gebruikt wordt in uw huis, raadpleeg dan uw dealer of plaatselijk energiebedrijf.
12. Buiten bereik van dieren houden. Sommige dieren kauwen graag op voedingskabels.
13. Gebruik een zacht, droog doekje om het apparaat te reinigen. Gebruik geen oplosmiddelen of op benzine gebaseerde vloeistoffen. U kunt een vochtig doekje met verdund schoonmaakmiddel gebruiken om hardnekkige vlekken te verwijderen.
14. De leverancier is niet verantwoordelijk voor schade of verloren gegevens veroorzaakt door storing, misbruik, modificatie van het apparaat of batterijvervanging.
15. Onderbreek nooit de verbinding wanneer het apparaat formatteert of bestanden overdraagt. De gegevens kunnen anders corrupt of verloren raken.
16. Indien het apparaat een USB-afspeelfunctie heeft, moet de USB-geheugenstick rechtstreeks op het apparaat worden aangesloten. Gebruik geen USB-verlengkabel, omdat die kan leiden tot storingen met foutieve gegevens als gevolg.
17. Het classificatielabel bevindt zich op de onderkant of het achterpaneel van het apparaat.
18. Dit hulpmiddel is niet bedoeld voor gebruik door mensen (inclusief kinderen) met een fysieke, zintuiglijke of mentale handicap, of een gebrek aan ervaring en kennis, tenzij zij toezicht of instructies hebben gekregen over het juiste gebruik van het hulpmiddel door een persoon die verantwoordelijk is voor hun veiligheid.
19. Dit product is alleen voor niet-professioneel gebruik bedoeld en niet voor commercieel of industrieel gebruik.

20. Verzeker u ervan dat het apparaat in een stabiele positie staat opgesteld. Schade die wordt veroorzaakt door het gebruik van dit product in een onstabiele positie, trillingen of schokken of het niet opvolgen van de waarschuwingen of voorzorgsmaatregelen in deze gebruikershandleiding wordt niet gedekt door de garantie.
21. Verwijder nooit de behuizing van dit apparaat.
22. Plaats dit apparaat nooit op andere elektrische apparatuur.
23. Geef kinderen geen gelegenheid in aanraking met plastic zakken te komen.
24. Gebruik uitsluitend uitbreidingen/accessoires gespecificeerd door de fabrikant.
25. Laat alle reparaties over aan gekwalificeerd onderhoudspersoneel. Onderhoud is nodig als het apparaat is beschadigd, bijvoorbeeld als de voedingskabel of de stekker is beschadigd, als er vloeistof op het apparaat is gemorst, als er voorwerpen in het apparaat zijn gevallen, als het apparaat is blootgesteld aan regen of vocht, als het apparaat niet normaal werkt of als het is gevallen.
26. Langdurige blootstelling aan harde geluiden van persoonlijke muzikspelers kan leiden tot tijdelijk of permanent gehoorverlies.
27. Als het product wordt geleverd met voedingskabel of wisselstroomvoedingsadapter:
 - Als er zich problemen voordoen, moet u de voedingskabel loskoppelen en het ter onderhoud aanbieden aan gekwalificeerd personeel.
 - Nooit op de voedingsadapter stappen of deze indrukken. Wees zeer voorzichtig, vooral in het gebied rond de stekkers en de kabelaan sluitingen. Plaats geen zware voorwerpen op de voedingsadapter, om beschadiging ervan te voorkomen. Houd het gehele apparaat buiten bereik van kinderen! Wanneer kinderen met de voedingskabel spelen, kunnen zij ernstig letsel oplopen.
 - Haal de stekker uit het stopcontact tijdens onweer of wanneer u deze langere tijd niet gebruikt.
 - Het stopcontact moet in de buurt van de apparatuur zijn geïnstalleerd en eenvoudig te bereiken zijn.
 - Laat AC-stopcontacten of verlengsnoeren nooit overbelast raken. Overbelasting kan brand of een elektrische schok veroorzaken.
 - Apparaten met een Klasse 1 structuur dienen te worden aangesloten op een stopcontact met een beschermende aardverbinding.
 - Apparaten met een Klasse 2 structuur vereisen geen aardverbinding.
 - Houd altijd de stekker vast wanneer u deze uit het stopcontact trekt. Trek nooit aan de voedingskabel. Dit kan tot een kortsluiting leiden.
 - Gebruik nooit een beschadigde voedingskabel of stekker of een los stopcontact. Dit vormt namelijk een risico op brand of elektrische schokken.
28. Indien het product knoopcelbatterijen bevat of wordt geleverd met een afstandsbediening die knoopcelbatterijen bevat:
 Waarschuwing:
 - “Batterij niet inslikken, chemisch brandgevaar” of gelijkwaardige werking.
 - De meegeleverde afstandsbediening bevat een knoopcelbatterij. Als de batterij wordt ingeslikt, kan deze in slechts 2 uur ernstige interne brandwonden veroorzaken en tot de dood leiden.
 - Houd nieuwe en gebruikte batterijen buiten bereik van kinderen.
 - Als de batterijhouder niet goed kan worden gesloten, dient u het product niet meer te gebruiken en buiten bereik van kinderen te houden.
 - Als u denkt dat batterijen zijn ingeslikt of binnenin een willekeurig lichaamsdeel terecht zijn gekomen, dient u onmiddellijk medische hulp te zoeken.
29. Waarschuwing m.b.t. het gebruik van batterijen:
 - Als de batterij onjuist wordt geplaatst, bestaat er explosiegevaar. Vervang de batterij alleen door een zelfde of vergelijkbare soort batterij.
 - Stel de batterij niet bloot aan extreem hoge of lage temperaturen of een lage luchtdruk op grote hoogte tijdens gebruik, opslag of transport.
 - Vervanging van een batterij door een incorrect type kan leiden tot een ontploffing of de lekkage van ontvlambare vloeistoffen of gas.
 - Het weggooien van een batterij in het vuur of een hete oven, of het mechanisch verpletteren of insnijden van een batterij, kan leiden tot een explosie.
 - Het achterlaten van een batterij in een omgeving met extreem hoge temperaturen kan leiden tot een explosie of het lekken van brandbare vloeistof of gas.

- Een batterij die aan een extreem lage luchtdruk wordt blootgesteld, kan leiden tot een explosie of het lekken van brandbare vloeistof of gas.
- Aandacht voor het milieu is nodig bij het verwijderen van de batterijen.

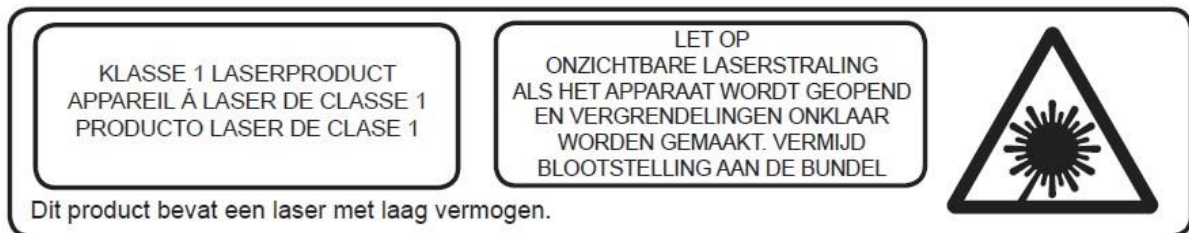
INSTALLATIE

- Pak alle onderdelen uit en verwijder de beschermende materialen.
- Sluit het apparaat niet aan op het stopcontact, voordat u de netspanning hebt gecontroleerd en voordat alle andere aansluitingen zijn gemaakt.

Waarschuwing voor cd-/dvd-speler:

WAARSCHUWING

Klasse 1 Laserproduct



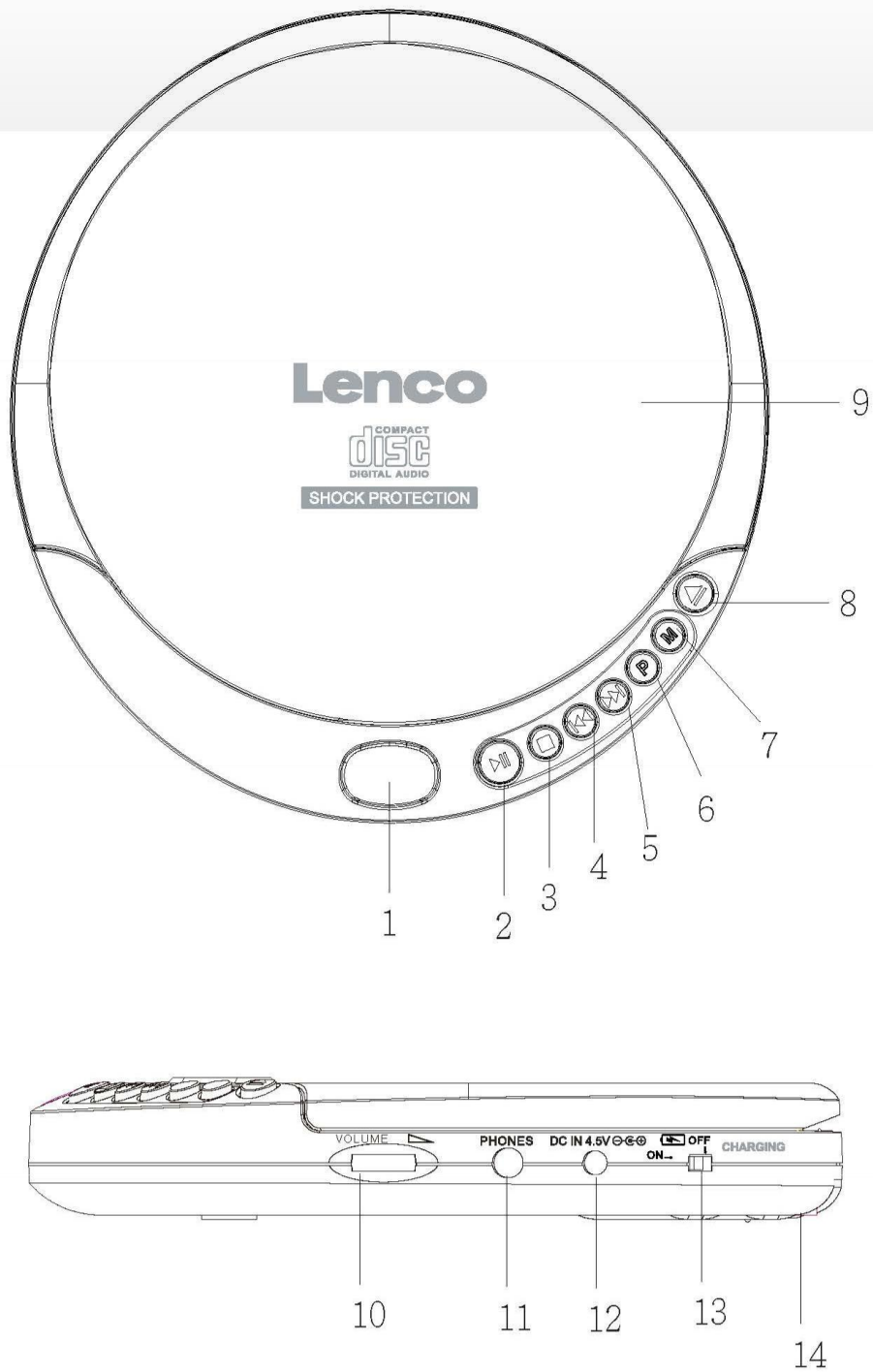
Waarschuwing: Raak de lens niet aan.



WAARSCHUWING: Wanneer u zich op de straat bevindt, kan het gebruik van een persoonlijke muzikspeler de luisteraar afleiden van de potentiële gevaren, zoals naderende auto's.

WAARSCHUWING: Luister nooit voor lange tijd op hoge volumenniveaus, om mogelijke gehoorbeschadiging te voorkomen.

1. BESCHRIJVING VAN HET APPARAAT



1. LCD-SCHERM
2. AFSPELEN/PAUZE-toets
3. STOP-TOETS
4. VORIGE-/TERUGSPOEL-toets
5. VOLGENDE+/VOORUITSPOEL-toets
6. PROGRAMMEERTOETS
7. MODUS-toets
8. OPENSCHAKELAAR
9. KLEPJE VOOR CD
10. Volumeknop
11. TELEFOONAANSLUITING
12. DC-INGANG
13. SCHAKELAAR BATTERIJLADER
14. BATTERIJVAK

ACCESSOIRE

1. Stereo oortelefoon
2. Kabel met USB-stekker naar DC-aansluiting

2. Functie

INSCHAKELEN

Gebruik met normale batterijen (niet inbegrepen)

1. Open de klep van het batterijvak, te vinden op de onderzijde van het apparaat, door de klep te verschuiven en op te tillen. (De batterijklep niet verwijderen).
2. Installeer 2 x type 1,5V/UM-3/AA alkalinebatterijen en let daarbij op de juiste polariteit zoals staat gemarkeerd in het batterijvak.
3. Sluit de klep van het batterijvak.
4. Zorg ervoor dat de schakelaar voor de batterijlader (13) op de stand **UIT** is ingesteld. NOOIT NORMALE BATTERIJEN GEBRUIKEN MET DE LAADSCHAKELAAR INGESCHAKELD!

Gebruik met AC/DC-adapter of USB-adapter (niet inbegrepen)

1. Steek de DC-stekker, aan het uiteinde van de AC/DC-adapterkabel of sluit de USB-stekker aan op de DC-kabel met een USB-adapter, in de DC 4,5 V voedingsingang (12) op de zijkant van het apparaat.
2. Sluit de AC/DC- of USB-adapter aan op een 100-240V ~ 50/60 Hz AC-stopcontact.

Opmerkingen:

Als de AC/DC- of USB-adapter wordt aangesloten terwijl normale batterijen zijn geïnstalleerd, dan zal de voeding automatisch op de AC-voedingsbron schakelen.

Als u een AC/DC-adapter wilt gebruiken, gebruik dan a.u.b. uitsluitend een 4,5V model met de juiste polariteit.

Controleer of de specificaties van de AC/DC- of USB-adapter overeenkomen met uw huishoudelijke spanning voordat u deze aansluit op het stopcontact.

Wanneer u geen AC-voeding gebruikt, koppel de AC/DC- of USB-adapter dan los van het stopcontact.

Raak de AC/DC- of USB-adapter nooit aan met natte handen.

Oplaadbare batterijen gebruiken (niet inbegrepen)

1. Koppel de AC/DC- of USB-adapter los van het stopcontact als deze is aangesloten op het apparaat.
2. Open het batterijvak zoals hierboven beschreven.
3. Installeer 2 oplaadbare batterijen volgens de juiste polariteit, zoals staat gemarkeerd in het batterijvak.
4. Sluit de klep van het batterijvak.

5. Stel de SCHAKELAAR VAN DE BATTERIJLADER (13) in op de stand AAN om de oplaadfunctie te starten.
6. Stel de SCHAKELAAR VAN DE BATTERIJLADER (13) na 15 uur opladen in op de stand UIT.

Benaderde afspeeltijd met volledig opgeladen oplaadbare batterijen

- 2 x 700 mAh dient voor een afspeeltijd van ca. 3-4 uur te zorgen.
- 2 x 2800 mAh dient voor een afspeeltijd van ca. 12-14 uur te zorgen.

Waarschuwingen:

Combineer GEEN oplaadbare en normale batterijen.

NIET 24 uur of langer onafgebroken opladen, anders zullen de prestaties van de oplaadbare batterijen degraderen.

Probeer GEEN normale (niet-oplaadbare) batterijen op te laden. Risico op ontploffing!

Opmerkingen:

Als oplaadbare batterijen voor het eerst worden opgeladen, dan zal het ongeveer 15 uur duren om deze volledig op te laden. Als de gebruikstijd aanzienlijk korter wordt, zelfs al zijn de oplaadbare batterijen goed opgeladen, schaf dan een nieuwe set oplaadbare batterijen aan.

OORTELEFOON

Sluit de stereo oortelefoon (inbegrepen) aan op de hoofdtelefoonuitgang (11).

CD/MP3 AF SPELEN

1. Sluit de oortelefoon (inbegrepen) of optionele hoofdtelefoon aan op de hoofdtelefoonuitgang.
2. Druk op de Openschakelaar (8) om de cd-houder te openen.
3. Plaats een disk met de bedrukte kant naar boven.
4. Sluit de klep van de cd-houder totdat u een klik hoort.
5. Stel de VOLUMEREGELING (10) in op het minimale niveau.
6. Druk op de toets START/PAUZE (2) en het apparaat zal automatisch inschakelen en het totale aantal tracks en de tijd van de cd weergeven. Voor MP3-cd's zullen het totale aantal folders en totale aantal tracks op de display worden weergegeven: Het afspelen wordt gestart. De huidige track en verstreken tijd zullen tijdens het afspelen worden weergegeven. CD + MP3
7. Pas de VOLUMEREGELING aan tot op het gewenste luisterniveau.

8. Druk eenmaal op de toets START/PAUZE (2) om het afspelen tijdelijk te stoppen. De verstreken tijd zal knipperen en het tracknummer verschijnt op de display. Druk nogmaals op de toets AFSPLEN/PAUZE om het afspelen te hervatten.
9. Druk eenmaal op de toets STOP (3) om het afspelen te stoppen.
10. Druk tweemaal op STOP (3) om het apparaat uit te schakelen.

Opmerkingen:

Wanneer de cd-houder per ongeluk wordt geopend tijdens het afspelen, dan zal "Open" op de display verschijnen.

Wacht totdat de disk volledig is gestopt voordat u op de toets OPEN (8) drukt.

NAAR EEN BEPAALDE TRACK OF EEN SEGMENT BINNEN EEN TRACK ZOEKEN

1. Druk eenmaal op de toets VORIGE (4) om terug te keren naar het begin van de huidige track.
2. Druk meerdere keren op de toets VORIGE om vorige tracks te selecteren.
3. Druk meerdere keren op de toets VOLGENDE (5) om volgende tracks te selecteren.
4. Houd de toets VOLGENDE of VORIGE ingedrukt om vooruit of terug te spoelen naar een bepaald segment van de huidige track. De audio die op laag volume te horen is tijdens het spoelen helpt u het juiste punt van de track te vinden.

HERHALENDE AFSPEELMODUS

1. Druk op de toets START/PAUZE (2).
2. Druk tijdens het afspelen eenmaal op de toets MODUS (7) om dezelfde track te herhalen. "REP 1" zal op de display verschijnen. De huidige cd-track zal continu worden herhaald totdat u op de toets STOP (3) drukt. Druk 5 keer op de toets MODUS (7) om de herhaalmodus voor de huidige enkele track te annuleren. De indicator 'REP 1' zal uit de display verdwijnen.
3. Druk tweemaal op de toets MODUS (7) om het gehele ALBUM te herhalen. "REP ALL" zal op de display verschijnen. Druk drie keer op de toets MODUS (7) om de herhaalmodus voor de gehele disk te annuleren. De indicator 'REP ALL' zal uit de display verdwijnen.
4. Druk driemaal op de toets (6) MODUS (7) om de gehele MP3-disk te herhalen. "REP DIR" zal op de display verschijnen. Druk 3 keer op de toets MODUS (7) om de herhaalmodus voor de gehele disk te annuleren. De indicator "REP DIR" zal uit de display verdwijnen.

WILLEKEURIG AFSPELEN

1. Druk 4 keer op de toets MODUS (7) om de willekeurige afspeelmodus te openen. "RND" zal op de display verschijnen en vervolgens worden alle tracks van de cd of het album in willekeurige volgorde afgespeeld.
2. Druk op de toets VOLGENDE om de volgende willekeurige track te selecteren.

3. Druk tweemaal op de toets MODUS (7) om de normale afspeelmodus te hervatten.

INTRO'S AF SPELEN

1. Druk op de toets START/PAUZE (2).
2. Druk 5 keer op de toets MODUS (7) om de intromodus te openen; 'INTRO' zal op de display verschijnen.
3. Druk op START en de eerste 10 seconden van elke track van elk album op de cd zullen worden afgespeeld.
4. Druk nog een keer op de toets MODUS (7) om de introweergave te stoppen en de normale afspeelmodus te hervatten.
5. Het apparaat wordt 60 seconden nadat alle tracks zijn afgespeeld automatisch uitgeschakeld.

GEPROGRAMMEERD AF SPELEN

1. Druk op de toets START/PAUZE (2) en na 8 seconden op de STOP-toets (3).
2. Druk op de toets PROG (6) en het volgende zal op de display verschijnen: (001 P-01) en de 001 zullen knipperen.
3. Druk op de toetsen VOLGENDE en VORIGE (4,5) om de tracks te selecteren die u wilt programmeren en druk ter bevestiging eenmaal op de toets PROG (6).
4. Herhaal stap 3 om tot op 20 tracks te programmeren.
5. Druk eenmaal op de toets START/PAUZE (2) om de geprogrammeerde afspeelvolgorde te starten.
6. Druk tweemaal op de toets STOP (3) om de geprogrammeerde afspeelmodus te annuleren of druk eenmaal op de toets STOP (3) en u kunt de geprogrammeerd afspeelmodus binnen 30 seconden herstarten. (Het apparaat zal 30 seconden na het stoppen van de muziek op stand-by schakelen om batterijenergie te besparen). Wanneer de geprogrammeerde afspeelmodus is geactiveerd, dan zal 'PROG' op de LCD-display worden weergegeven.

OPMERKING:

Terwijl u een MP3-disk afspeelt, kunt u op de toets PROG (6) drukken om 10 tracks vooruit te springen. Houd de toets ongeveer 0,5 seconde ingedrukt om de eerste track van de volgende folder af te spelen as de disk meerdere folders bevat. (De volgende functie is alleen actief wanneer MP3-disks worden afgespeeld)

AUTOMATISCHE HERVATTINGSFUNCTIE

Om de automatische hervattingsfunctie te activeren, moet u twee keer op de stopknop (3) drukken. De speler wordt uitgeschakeld. Druk eenmaal op de afspeelknop (2) om de speler in te schakelen en het afspelen te hervatten op het punt waar u eerder gestopt was.

Als u slechts eenmaal op de stopknop drukt, stopt de speler en wordt deze niet uitgeschakeld. Als u het afspelen opnieuw start, annuleert de speler de automatische hervattingsfunctie en begint met

afspelen vanaf het eerste nummer.

Let erop dat de automatische hervattingsfunctie alleen wordt ingeschakeld als het apparaat op een stroombron is aangesloten (DC-kabel of batterijen).

SCHOKBEVEILIGINGSFUNCTIE

De speler wordt tijdens gebruik waarschijnlijk blootgesteld aan schokken of trillingen (bijv. tijdens het lopen of in een bewegend voertuig). Zodra u op de toets START/PAUZE hebt gedrukt, zal de ASP-functie automatisch worden geactiveerd zodat het afspelen niet wordt onderbroken. De 'ESP'-indicator op de display zal knipperen wanneer het apparaat in gebruik is en geeft aan dat de 'elektronische schokbeveiliging' is geactiveerd.

Mocht de speler echter langer dan 40 seconden voor cd's of langer dan 100 seconden voor MP3-weergave continu schokken opvangen, dan kan het geluid een ogenblikje worden gedempt en weer worden hervat zodra de speler zich na de schokken weer heeft gestabiliseerd.

De schokbeveiligingsfuncties zal geen fouten corrigeren die worden veroorzaakt door defecte, bekraste of vuile disks.

ENERGIEBESPARING

Als het apparaat ongeveer 30 seconden geen muziek afspeelt, dan zal deze automatisch uitschakelen.

3. Specificaties

DRAAGBARE CD-/MP3-SPELER	CD-200/CD-201/CD-202
Speelt disks af	CD-audio, MP3-disks
Schokbeveiliging	40 seconden = CD-audio, 100 seconden = MP3-disks
Uitvoerconnector	3,5 mm oortelefoonaansluiting
Netspanning	4,5V
Accu	3V 2x AA (niet inbegrepen)

1. Garantie

Lenco biedt service en garantie aan overeenkomstig met de Europese wetgeving. Dit houdt in dat u, in het geval van reparaties (zowel tijdens als na de garantieperiode), uw lokale handelaar moet contacteren.

Belangrijke opmerking: Het is niet mogelijk om producten die gerepareerd moeten worden direct naar Lenco te sturen.

Belangrijke opmerking: De garantie verloopt als een onofficieel servicecenter het apparaat op wat voor manier dan ook heeft geopend, of er toegang toe heeft gekregen.

Het apparaat is niet geschikt voor professioneel gebruik. In het geval van professioneel gebruik

worden alle garantieverplichtingen van de fabrikant nietig verklaard.

1. Disclaimer

Er worden regelmatig updates in de firmware en/of hardwarecomponenten gemaakt. Daardoor kunnen gedeelten van de instructie, de specificaties en afbeeldingen in deze documentatie enigszins verschillen van uw eigen situatie. Alle onderwerpen die staan beschreven in deze handleiding zijn bedoeld als illustratie en zijn niet van toepassing op specifieke situaties. Aan de beschrijving in dit document kunnen geen rechten worden ontleend.

2. Afvoer van het oude apparaat



Dit symbool geeft aan dat het betreffende elektrische product of de batterij niet moet worden verwijderd als algemeen huishoudelijk afval in Europa. Zorg voor een juiste afvalverwerking door het product en de batterij in overeenstemming met alle van toepassing zijnde lokale wetten voor het verwijderen van elektrische apparatuur of batterijen te verwijderen. Als u dit doet, helpt u de natuurlijke hulpbronnen te behouden en de standaard van milieubescherming te verbeteren bij de behandeling en verwijdering van elektrisch afval (Afgedankte Elektrische en Elektronische Apparatuur).

3. CE-markering

Commaxx B.V. Wiebachstraat 37, 6466 NG Kerkrade, Nederland, verklaart hierbij dat dit product voldoet aan de vereisten van de essentiële EU-richtlijnen. De conformiteitsverklaring kan worden opgevraagd via techdoc@commaxxgroup.com



4. Service

Bezoek voor meer informatie en helpdeskondersteuning www.lenco.com

Commaxx B.V. Wiebachstraat 37, 6466 NG Kerkrade, Nederland.

ACHTUNG:

Eine andere als die hier beschriebene Bedienung, Einstellung oder Verwendung der Funktionen kann zu gefährlicher Strahlenbelastung führen.

VORSICHTSMASSNAHMEN VOR DER BENUTZUNG

BEFOLGEN SIE IMMER FOLGENDE ANWEISUNGEN:

1. Blockieren oder bedecken Sie keine Lüftungsöffnungen. Wenn Sie das Gerät auf ein Regal stellen, lassen Sie um das gesamte Gerät 5 cm (2") freien Platz.
2. Stellen Sie das Gerät entsprechend den Anweisungen der mitgelieferten Bedienungsanleitung auf.
3. Halten Sie das Gerät von Hitzequellen wie Radiatoren, Heizern, Öfen, Kerzen oder anderen hitzerzeugenden Produkten oder offenen Flammen fern. Das Gerät darf nur bei gemäßigtem Klima verwendet werden. Sehr kalte oder heiße Umgebungen sind zu vermeiden. Der Betriebstemperaturbereich liegt zwischen 0 °C und 35 °C.
4. Meiden Sie bei der Nutzung des Produkts die Nähe starker Magnetfelder.
5. Elektrostatische Entladungen können die normale Verwendung von diesem Gerät stören. Sollte dies geschehen, führen Sie einfach einen Reset aus und starten Sie dann das Gerät entsprechend den Anweisungen dieser Bedienungsanleitung neu. Gehen Sie besonders bei Datenübertragungen mit dem Gerät vorsichtig um und führen Sie diese nur in einer antielektrischen Umgebung aus.
6. **Warnung!** Niemals Gegenstände durch die Lüftungsschlitze oder Öffnungen in das Gerät stecken. In diesem Gerät fließt Hochspannung und das Hineinstecken von Gegenständen kann zu elektrischem Schock und/oder Kurzschluss interner elektrischer Bauteile führen. Aus dem gleichen Grund kein Wasser oder Flüssigkeiten in das Gerät geben.
7. Benutzen Sie das Gerät nicht in nasser oder feuchter Umgebung wie Bad, Dampfküche oder in der Nähe von Schwimmbecken.
8. Das Gerät darf weder Tropf- noch Spritzwasser ausgesetzt werden und es dürfen keine mit Flüssigkeit gefüllten Behälter wie z.B. Vasen auf das Gerät oder in der Nähe des Gerätes gestellt werden.
9. Benutzen Sie das Gerät nicht bei Kondensationsgefahr. Wenn Sie das Gerät in einem warmen feuchten Raum benutzen, dann können sich im Inneren des Geräts Wassertropfen oder Kondensationen bilden und zu Fehlfunktionen des Geräts führen. Schalten Sie in diesem Fall das Gerät für 1 – 2 Stunden aus, bevor Sie es erneut einschalten: Das Gerät sollte vollständig getrocknet sein, wenn Sie es wieder einschalten.
10. Obwohl dieses Gerät unter größter Sorgfalt und vor Auslieferung mehrmals überprüft wurde, können trotzdem wie bei jedem anderen elektrischen Gerät auch Probleme auftauchen. Trennen Sie das Gerät im Falle einer Rauchentwicklung, starker Hitzeentwicklung oder jeden anderen unnatürlichen Erscheinung sofort vom Netz.
11. Dieses Gerät ist durch eine Stromquelle wie auf dem Typenschild angegeben zu betreiben. Halten Sie bei Unsicherheiten über die Art Ihrer Stromversorgung in Ihrer Wohnung Rücksprache mit Ihrem Händler oder Ihrer Stromzuliefererfirma.
12. Halten Sie es von Haustieren fern. Einige Nagetiere lieben es, an Netzkabeln zu nagen.
13. Benutzen Sie für die Reinigung ein weiches und trockenes Tuch. Benutzen Sie niemals Lösungsmittel oder Flüssigkeiten auf Ölbasis. Benutzen Sie zum Entfernen hartnäckiger Flecken ein feuchtes Tuch mit mildem Reinigungsmittel.
14. Der Hersteller haftet nicht für Schäden oder Verluste durch Fehlfunktion, Zweckentfremdung oder Modifikation des Geräts oder durch Wechseln der Batterien.
15. Unterbrechen Sie die Verbindung nicht während einer Formatierung oder einer Datenübertragung. Bei Unterbrechung drohen Datenverlust und Datenbeschädigung.
16. Wenn das Gerät eine USB-Wiedergabefunktion besitzt, dann stecken Sie den USB-Stick direkt in das Gerät. Verwenden Sie kein USB-Verlängerungskabel, weil die erhöhte Störungsanfälligkeit zu Datenverlust führen könnte.
17. Das Typenschild befindet sich an der Unter- oder Rückseite des Geräts.
18. Dieses Gerät ist nicht zur Benutzung durch Personen (einschließlich Kinder) mit physischen, sensorischen oder mentalen Beeinträchtigungen oder ohne ausreichender Erfahrung vorgesehen, es sei denn, sie werden durch eine verantwortliche Person beaufsichtigt oder wurden in die ordnungsgemäße Bedienung des Gerätes durch eine für ihre Sicherheit verantwortliche Person eingewiesen.

19. Dieses Produkt ist nur für den nicht-professionellen Gebrauch und nicht für gewerbliche oder industrielle Zwecke bestimmt.
20. Stellen Sie sicher, dass das Gerät in einer stabilen Position aufgestellt ist. Schäden aufgrund Verwendung dieses Produkts in einer instabilen Position, Vibrationen, Stöße oder Nichtbeachtung der anderen in dieser Bedienungsanleitung enthaltenen Warnungen und Sicherheitshinweise werden nicht durch die Garantie abgedeckt.
21. Entfernen Sie niemals das Gehäuse dieses Produkts.
22. Stellen Sie das Produkt niemals auf andere elektrische Geräte.
23. Halten Sie Kinder von den Plastiktüten fern.
24. Benutzen Sie nur vom Hersteller spezifizierte Erweiterungen/Zubehörteile.
25. Lassen Sie alle Eingriffe von qualifiziertem Servicepersonal ausführen. Eingriffe werden notwendig, wenn das Gerät auf irgendeine Weise wie beispielsweise am Netzkabel oder am Netzstecker beschädigt wurde, Flüssigkeit in das Gerät eingedrungen ist, Gegenstände in das Gerät gefallen sind, das Gerät Regen oder Feuchtigkeit ausgesetzt war, es heruntergefallen ist oder nicht ordnungsgemäß funktioniert.
26. Langes Hören lauter Töne aus einem Musikgerät kann zum zeitweiligen oder permanenten Hörverlust führen.
27. Wenn zum Lieferumfang des Produkts ein Netzkabel oder ein Netzadapter gehört:
 - Wenn irgendwelche Probleme auftreten, dann ziehen Sie den Netzstecker aus der Netzsteckdose und setzen Sie sich anschließend mit einer qualifizierten Fachkraft in Verbindung.
 - Treten Sie nicht auf das Netzteil und klemmen Sie es auch nicht ein. Geben Sie besonders im näheren Bereich des Steckers und der Stelle acht, wo das Kabel aus dem Gerät herausgeführt wird. Stellen Sie keine schweren Gegenstände auf das Netzteil, weil es dadurch beschädigt werden könnte. Halten Sie das gesamte Gerät außerhalb der Reichweite von Kindern! Durch Spielen mit dem Netzkabel können sie sich ernsthafte Verletzungen zuziehen.
 - Trennen Sie das Gerät während eines Gewitters oder bei längerer Nichtbenutzung vom Netz.
 - Die Wandsteckdose muss sich in der Nähe des Geräts befinden und einfach zu erreichen sein.
 - Steckdosen und Verlängerungsleitungen nicht überlasten. Eine Überlastung kann zu Brandgefahr bzw. Stromschlag führen.
 - Geräte der Schutzklasse 1 sind an eine Netzsteckdose mit Schutzleiter anzuschließen.
 - Geräte der Schutzklasse 2 benötigen keinen Schutzleiteranschluss.
 - Halten Sie den Netzstecker in der Hand, wenn Sie ihn aus der Netzsteckdose ziehen. Ziehen Sie ihn nicht durch Zerran am Kabel heraus. Das kann zu einem Kurzschluss führen.
 - Verwenden Sie weder ein beschädigtes Netzkabel noch einen beschädigten Stecker oder eine lockere Steckdose. Es besteht Brand- und Stromschlaggefahr.
28. Wenn das Produkt mit einer Fernbedienung mit Batterien/Knopfzellen geliefert wird oder das Produkt eine derartige Fernbedienung umfasst:

Warnung:

 - „Die Batterie nicht einnehmen, er besteht Verätzungsgefahr“.
 - [Die mit diesem Produkt mitgelieferte Fernbedienung] enthält eine Knopfzelle. Das Verschlucken der Batterie kann innerhalb von nur 2 Stunden zu schwersten inneren Verbrennungen mit Todesfolge führen.
 - Halten Sie neue und gebrauchte Batterien von Kindern fern.
 - Verwenden Sie dieses Produkt nicht weiter und halten Sie es von Kindern fern, wenn das Batteriefach nicht sicher schließt.
 - Suchen Sie umgehend ärztliche Hilfe auf, wenn Sie vermuten, dass Batterien verschluckt oder in Körperöffnungen eingeführt wurden.
29. Warnhinweise bzgl. der Verwendung von Batterien:
 - Es besteht Explosionsgefahr, wenn die Batterien nicht korrekt eingelegt werden. Nur mit Batterien des gleichen oder entsprechenden Typs ersetzen.
 - Die Batterie darf während der Benutzung, Aufbewahrung oder des Transports weder sehr hohen oder sehr niedrigen Temperaturen noch niedrigem Luftdruck in großen Höhenlagen ausgesetzt werden.
 - Die Ersetzung der Batterie mit einem falschen Batterietyp kann zum Explodieren der Batterie oder dem Auslaufen von entflammbarem Gas oder entflammbarer Flüssigkeit aus der Batterie führen.

- Die Entsorgung der Batterie in Feuer oder einem heißen Ofen oder das mechanische Zerkleinern oder Zerteilen der Batterie kann zu Explosionen führen.
- Das Verbleiben der Batterie in einer Umgebung mit sehr hohen Temperaturen kann zum Explodieren der Batterie oder dem Auslaufen von entflammbarem Gas oder entflammbarer Flüssigkeit führen.
- Eine einem sehr niedrigen Luftdruck ausgesetzte Batterie kann explodieren oder es kann aus einer einem sehr niedrigen Luftdruck ausgesetzten Batterie entflammbares Gas oder entflammbare Flüssigkeit auslaufen.
- Augenmerk ist auf den ökologischen Aspekt der Batterieentsorgung zu legen.


ANSCHLUSS

- Packen Sie alle Teile aus und entfernen Sie danach die Schutzmaterialien.
- Schließen Sie das Gerät nicht eher an das Netz an, bevor Sie die Netzspannung überprüft haben und alle anderen notwendigen Verbindungen hergestellt sind.


Warning für CD-/DVD-Player:

WARNUNG

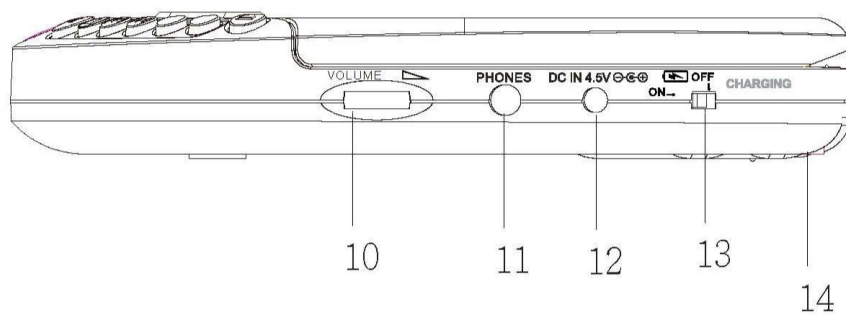
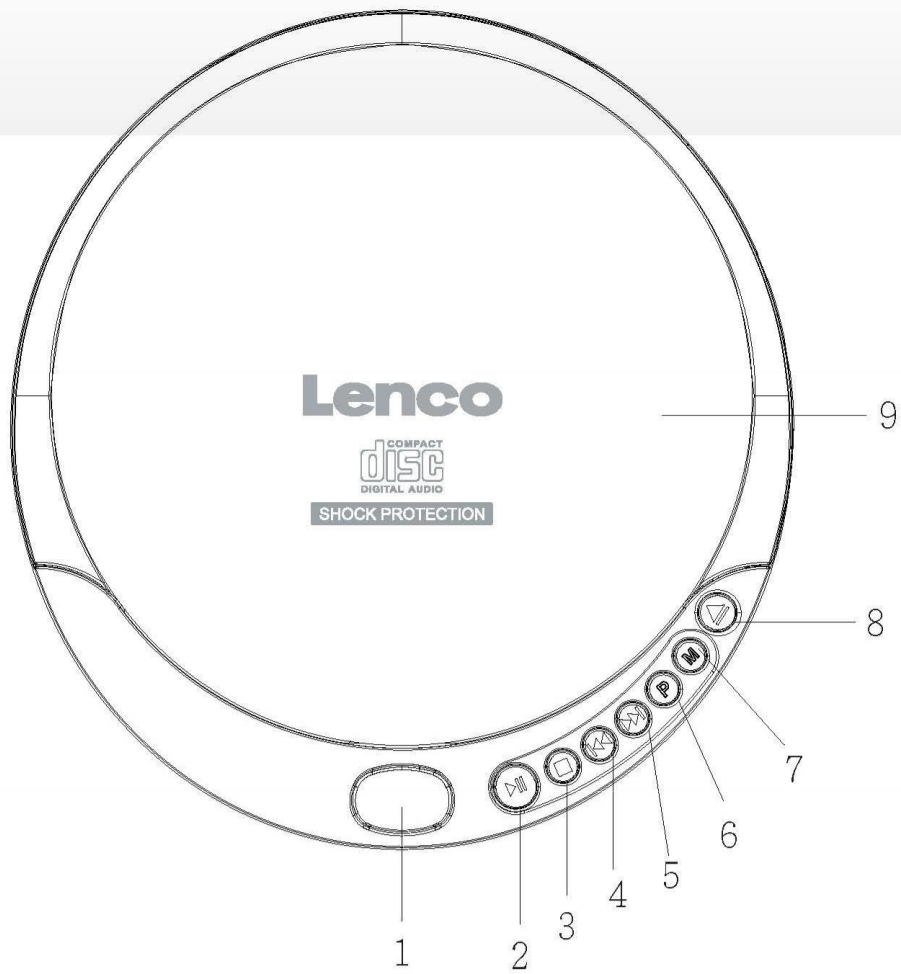
Laserprodukt der Klasse 1

<p>LASER-GERÄT DER KLASSE 1 APPAREIL À LASER DE CLASSE 1 PRODUCTO LASER DE CLASE 1</p>	<p>GEFAHR UNSICHTBARE LASERSTRAHLUNG BEI GEÖFFNETEM CD-FACH KEINE FUNKTION. SCHUTZ VOR UNGEWOLLTER STRAHLUNG</p>	
<p>Dieses Gerät enthält eine Kleinleistungslasereinheit.</p>		

Warnung: Berühren Sie die Linse nicht.

	<p>WARNUNG: Bei der Teilnahme am Straßenverkehr kann das Hören von Musik über ein Musikgerät von möglichen Gefahren, wie sich annähernden Fahrzeugen, ablenken.</p>
<p>WARNUNG: Hören Sie nicht für längere Zeit mit einem hohen Lautstärkepegel, um dauerhaften Hörschäden vorzubeugen.</p>	

1. PRODUKTBESCHREIBUNG



1. LCD-ANZEIGE
2. WIEDERGABE/PAUSE-Taste
3. STOPP-Taste
4. Taste ZURÜCKSPRINGEN/SUCHE
5. Taste VORSPRINGEN/SUCHE
6. PROGRAMM-Taste
7. MODUS-Taste
8. Taste CD-FACH ÖFFNEN
9. CD-FACH
10. LAUTSTÄRKE-Taste
11. KOPFHÖRERBUCHSE
12. DC-EINGANGSBUCHSE
13. BATTERIE-LADESCHALTER
14. BATTERIEFACH

ZUBEHÖR

1. Stereokopfhörer
2. Kabel USB-Stecker auf DC-Buchse

2. Funktion

EINSCHALTEN

Verwendung mit nicht wiederaufladbaren Batterien (nicht im Lieferumfang enthalten)

1. Öffnen Sie das Batteriefach, das sich auf der Unterseite des Geräts befindet, indem Sie den Batteriefachdeckel schieben und anschließend anheben. (Entfernen Sie den Batteriefachdeckel nicht).
2. Legen Sie 2 1,5-V-Mignonzellen/UM-3 unter Beachtung der im Batteriefach angezeigten Polarität polrichtig ein.
3. Schließen Sie das Batteriefach wieder.
4. Stellen Sie sicher, dass der Batterie-Ladeschalter (13), der sich seitlich am Gerät befindet, auf der Position OFF steht. VERWENDEN SIE NIEMALS NICHT WIEDERAUFLADBARE BATTERIEN MIT DEM LADESCHALTER AUF DER POSITION ON!

Verwendung mit dem Netzadapter oder einem USB-Adapter (nicht im Lieferumfang enthalten)

1. Stecken Sie den DC-Stecker am Ende des Netzadapterkabels oder das an einen USB-Adapter angeschlossene USB-auf-DC-Stecker-Kabel in die 4,5-V-DC-Eingangsbuchse (12), die sich seitlich am Gerät befindet.
2. Schließen Sie nun den Netzstecker des Netzadapters oder USB-Adapters an eine Netzsteckdose mit 100 – 240 V~, 50/60 Hz an.

Hinweise:

Wenn der Netz- oder USB-Adapter angeschlossen ist und Sie nicht wiederaufladbare Batterien eingelegt haben, dann schaltet die Stromversorgung automatisch auf Netzbetrieb um.

Wenn Sie einen Netzadapter verwenden, dann verwenden Sie bitte nur 4,5-V-Modelle mit der richtigen Polarität.

Vergewissern Sie sich, dass der Netz- oder USB-Adapter mit der Spannung in Ihrem Haushalt kompatibel ist, bevor Sie den Adapter an das Stromnetz anschließen.

Wenn Sie die Netzspannung nicht verwenden möchten, dann ziehen Sie den Netz- oder USB-Adapter aus der Netzsteckdose.

Berühren Sie den Netz- oder USB-Adapter nicht mit nassen Händen.

Verwendung mit wiederaufladbaren Batterien (nicht im Lieferumfang enthalten)

1. Ziehen Sie den Netz- oder USB-Adapter aus der Netzsteckdose, falls das Gerät noch am Stromnetz angeschlossen ist.
2. Öffnen Sie wie zuvor beschrieben das Batteriefach.
3. Legen Sie 2 wiederaufladbare Batterien unter Beachtung der im Batteriefach angezeigten Polarität polrichtig ein.

4. Schließen Sie das Batteriefach wieder.
5. Stellen Sie den BATTERIE-LADESCHALTER (13) auf ON, um die Ladefunktion zu aktivieren.
6. Stellen Sie den BATTERIE-LADESCHALTER (13) nach 15 Stunden Ladezeit auf OFF.

Angabe der Wiedergabezeit bei voll aufgeladenen wiederaufladbaren Batterien

- 2 x 700 mAh sollten bis 3 – 4 Stunden wiedergeben.
- 2 x 2800 mAh sollten bis 12 – 14 Stunden wiedergeben.

Warnungen:

Mischen Sie KEINE aufladbaren und nicht wiederaufladbaren Batterien miteinander.

Laden Sie die Batterien NICHT 24 Stunden oder länger am Stück, weil dadurch die Leistung der wiederaufladbaren Batterien vermindert wird.

Versuchen Sie NICHT, nicht wiederaufladbare Batterien aufzuladen. Diese können explodieren!

Hinweise:

Wenn wiederaufladbare Batterien das erste Mal geladen werden, dauert das vollständige Laden ca. 15 Stunden. Wenn die Betriebsdauer schnell kürzer wird, obwohl die wiederaufladbaren Batterien ordnungsgemäß geladen sind, dann kaufen Sie sich einen neuen Satz wiederaufladbare Batterien.

OHRHÖRER

Verbinden Sie die Stereoohrhörer (im Lieferumfang enthalten) mit der Kopfhörerbuchse (11).

CD/MP3-WIEDERGABE

1. Verbinden Sie die Ohrhörer (im Lieferumfang enthalten) oder optionale Kopfhörer mit der Kopfhörerbuchse.
2. Drücken Sie die Taste CD-Fach öffnen (8), um den Deckel zum CD-Fach zu öffnen.
3. Legen Sie eine CD mit der bedruckten Seite nach oben ein.
4. Schließen Sie den Deckel des CD-Fachs, bis ein Klick hörbar ist.
5. Stellen Sie den Lautstärkeregler VOLUME (10) auf minimale Lautstärke.
6. Wenn Sie die Taste WIEDERGABE/PAUSE (2) drücken, dann schaltet sich das Gerät automatisch ein und zeigt die Anzahl der Titel der CD und deren Wiedergabedauer an. Bei MP3-CDs erscheint die Gesamtzahl der Verzeichnisse und Titel auf dem Display: Die Wiedergabe beginnt. Während

der Wiedergabe werden aktuelle Titelnummer und bereits wiedergegebene Zeit im Display angezeigt. CD + MP3

7. Stellen Sie den Lautstärkereglere VOLUME auf die gewünschte Lautstärke.
8. Drücken Sie die Taste WIEDERGABE/PAUSE (2) einmal, um die Wiedergabe vorübergehend zu pausieren. Die bereits abgespielte Zeit blinkt und die Titelnummer erscheint auf dem Display. Drücken Sie die Taste PLAY/PAUSE erneut, um die Wiedergabe fortzusetzen.
9. Drücken Sie die Taste STOPP (3) einmal, um die Wiedergabe zu beenden.
10. Drücken Sie die Taste STOPP (3) zweimal, um das Gerät auszuschalten.

Hinweise:

Wenn das CD-Fach während der Wiedergabe versehentlich geöffnet wurde, dann erscheint auf dem Display „Open“ (geöffnet).

Warten Sie solange, bis die CD vollständig zum Stillstand gekommen ist, bevor Sie die Taste CD-FACH ÖFFNEN (8) drücken.

AUFFINDEN EINES BESTIMMTEN TITELS ODER EINER BESTIMMTEN TITELSTELLE

1. Drücken Sie die Taste ZURÜCKSPRINGEN (4) einmal, um zum Anfang des aktuellen Titels zu springen.
2. Drücken Sie die Taste ZURÜCKSPRINGEN mehrmals, um zu einem Titel zu springen, der vor dem aktuellen Titel liegt.
3. Drücken Sie die Taste VORSPRINGEN (5) mehrmals, um zu einem Titel zu springen, der vor dem aktuellen Titel liegt.
4. Halten Sie entweder die Taste VORSPRINGEN oder ZURÜCKSPRINGEN gedrückt, um mit hoher Geschwindigkeit eine bestimmte Stelle im Titel zu suchen. Während des Suchens können Sie leise das Audio hören, um die richtige Stelle besser finden zu können.

WIEDERGABE WIEDERHOLEN

1. Drücken Sie die Taste WIEDERGABE/PAUSE (2).
2. Drücken Sie während der WIEDERGABE einmal die Taste MODUS (7), um den gleichen Titel zu wiederholen. Auf dem Display erscheint „REP 1“ (Wdhlg. 1). Auf der CD wird solange der aktuelle Titel wiederholt wiedergegeben, bis Sie die Taste STOPP (3) drücken. Drücken Sie die Taste MODUS (7) 5 Mal, um die Einzeltitel-Wiedergabewiederholung aufzuheben. Die Anzeige „REP 1“ (Wdhlg. 1) wird nicht mehr angezeigt.
3. Drücken Sie die Taste MODUS (7) zweimal, um das gesamte ALBUM wiederholt wiederzugeben. Auf dem Display erscheint „REP ALL“ (alles wiederholen). Drücken Sie die Taste MODUS (7) dreimal, um die Einzeltitel-Wiedergabewiederholung aufzuheben. Die Anzeige „REP ALL“ (alles wiederholen) wird nicht mehr angezeigt.

4. Drücken Sie die Taste MODUS (7) dreimal, um das gesamte ALBUM wiederholt wiederzugeben. Auf dem Display erscheint „REP DIR“ (Verzeichnis wiederholen). Drücken Sie die Taste MODUS (7) dreimal, um die wiederholte Wiedergabe der MP3-CD aufzuheben. Die Anzeige „REP DIR“ (Verzeichnis wiederholen) wird nicht mehr angezeigt.

ZUFALLSWIEDERGABE

1. Drücken Sie die Taste MODUS (7) viermal, um die Einzeltitel-Wiedergabewiederholung aufzuheben. Im Display erscheint „RND“ (Zufall) und alle Titel aller Alben der CD werden in zufälliger Reihenfolge wiedergegeben.
2. Drücken Sie die Taste ÜBERSPRINGEN, um zum nächsten Zufallstitel zu springen.
3. Drücken Sie die Taste MODUS (7) noch zweimal, um wieder in den normalen Wiedergabemodus zu wechseln.

ANSPIELEN

1. Drücken Sie die Taste WIEDERGABE/PAUSE (2).
2. Drücken Sie die Taste MODUS (7) fünfmal, um in den Anspiel-Wiedergabemodus zu wechseln. Im Display erscheint „INTRO“ (Intro).
3. Wenn Sie die Taste WIEDERGABE drücken, werden die ersten 10 Sekunden eines jeden Titels in jedem Album der CD angespielt.
4. Drücken Sie die Taste MODUS (7) noch einmal, um das Anspielen aufzuheben und wieder in den normalen Wiedergabemodus zu wechseln.
5. Das Gerät schaltet sich nach 60 Sekunden automatisch aus, wenn alle Titel einmal angespielt wurden.

PROGRAMMIERTE WIEDERGABE

1. Drücken Sie die Taste WIEDERGABE/PAUSE (2) und nach 8 Sekunden die Taste STOPP (3).
2. Drücken Sie die Taste PROG (6), erscheint das Nachstehende auf dem Display: (001 P-01) und 001 blinkt.
3. Drücken Sie die Taste VORSPRINGEN und ZURÜCKSPRINGEN (4, 5), um den gewünschten Titel auszuwählen, der programmiert werden sollen und anschließend die Taste PROG (6) als Bestätigung.
4. Wiederholen Sie den Schritt 3, um bis zu 20 Titel zu programmieren.
5. Drücken Sie die Taste WIEDERGABE/PAUSE (2) einmal, um die Wiedergabe der programmierten Titel zu beginnen.

6. Drücken Sie die Taste STOPP (3) zweimal, um die programmierte Wiedergabe aufzuheben. Wenn Sie die Taste STOPP (3) einmal drücken, können Sie innerhalb von 30 Sekunden die programmierte Wiedergabe neu starten. (Nach Beenden der Musikwiedergabe wechselt das Gerät nach 30 Sekunden in den Standby-Modus, um Batteriestrom zu sparen). Bei aktivierter programmierter Wiedergabe wird im LCD-Display „PROG“ angezeigt.

HINWEIS:

Wenn Sie während der Wiedergabe einer MP3-CD die Taste PROG (6) drücken und wieder loslassen, dann springt die Wiedergabe 10 Titel weiter. Halten Sie die Taste für ca. 0,5 Sekunden gedrückt, um den ersten Titel im nächsten Verzeichnis wiederzugeben, falls sich mehrere Verzeichnisse auf der CD befinden. (Die folgende Funktion ist nur während der Wiedergabe von MP3-CDs aktiv)

FUNKTION AUTOMATISCHES FORTSETZEN (Resume)

Für die Aktivierung der Funktion für das automatische Fortsetzen müssen Sie zweimal die Stopptaste (3) drücken. Daraufhin schaltet sich der Player aus. Wenn Sie nun einmal die Wiedergabetaste (2) drücken, um den Player wieder einzuschalten, wird die Wiedergabe an dem Punkt fortgesetzt, an dem Sie den Player ausgeschaltet haben.

Wenn Sie die Stopptaste nur einmal drücken, beendet der Player die Wiedergabe, wird jedoch nicht ausgeschaltet. Wenn Sie jetzt die Wiedergabe erneut starten, deaktiviert der Player die Funktion für das automatische Fortsetzen und beginnt mit der Wiedergabe des Titels 01.

Bitte beachten Sie, dass die Funktion für das automatische Fortsetzen nur zur Verfügung steht, wenn das Gerät an einer Stromquelle (DC-Kabel oder Batterien) angeschlossen ist.

FUNKTION ERSCHÜTTERUNGSSCHUTZ

Bei der Benutzung des Players ist es wahrscheinlich, dass er Stößen oder Vibrationen (z. B. während des Laufens oder in einem fahrenden Fahrzeug) ausgesetzt ist. Sobald die Taste WIEDERGABE/PAUSE gedrückt wird, wird die Funktion Erschütterungsschutz automatisch aktiviert, die eine unterbrechungsfreie Wiedergabe ermöglicht. Die „ESP“-Anzeige auf dem Display blinkt, wenn das Gerät benutzt wird, wodurch angezeigt wird, dass der „elektronische Sprungschutz“ aktiviert ist.

Sollte der Player länger als 40 Sekunden während der CD-Wiedergabe und 100 Sekunden bei der MP3-Wiedergabe ununterbrochen Erschütterungen ausgesetzt sein, kann die Wiedergabe für sehr kurze Zeit unterbrochen werden. Die Wiedergabe wird umgehend fortgesetzt, sobald sich der Player nach der Erschütterung wieder stabilisiert hat.

Die Funktion Erschütterungsschutz korrigiert jedoch keine Fehler durch Verwendung einer zerkratzten oder verschmutzten CD.

ENERGIESPAREN

Wenn das Gerät 30 Sekunden lang nichts wiedergeben kann, schaltet es sich automatisch aus.

3. Technische Daten

TRAGBARER CD-/MP3-PLAYER	CD-200/CD-201/CD-202
Wiedergebbare CDs	Audio-CDs, MP3-CDs
Erschütterungsschutz	40 Sekunden = Audio-CD, 100 Sekunden = MP3-CDs
Ausgänge	3,5 mm Kopfhörerbuchse
Netzspannung	4,5 V
Batterie	3 V, 2 x Mignonzelle (AA) (nicht im Lieferumfang enthalten)

1. Garantie

Lenco bietet Leistungen und Garantien im Einklang mit Europäischem Recht. Im Falle von Reparaturen (sowohl während als auch nach Ablauf der Garantiezeit) sollten Sie deshalb Ihren Einzelhändler kontaktieren.

Wichtiger Hinweis: Es ist nicht möglich, Geräte für Reparaturen direkt an Lenco zu schicken.

Wichtiger Hinweis: Falls dieses Gerät von einem nicht autorisierten Kundendienst geöffnet oder darauf zugegriffen wird, erlischt die Garantie.

Dieses Gerät ist nicht für professionelle Zwecke geeignet. Falls das Gerät für professionelle Zwecke eingesetzt wird, erlöschen alle Garantieverpflichtungen seitens des Herstellers.

2. Haftungsausschluss

Aktualisierungen der Firmware und/oder Hardware-Komponenten werden regelmäßig durchgeführt. Daher können einige der Anweisungen, Spezifikationen und Abbildungen in dieser Dokumentation von Ihrer individuellen Situation abweichen. Alle in diesem Handbuch beschriebenen Elemente dienen nur zur Illustration und treffen auf Ihre individuelle Situation möglicherweise nicht zu. Aus der in diesem Handbuch getätigten Beschreibung können keine Rechtsansprüche oder Ansprüche geltend gemacht werden.

3. Entsorgung des Altgeräts



Dieses Symbol zeigt an, dass das entsprechende Produkt oder dessen Batterie in Europa nicht mit dem normalen Hausmüll entsorgt werden darf. Um die ordnungsgemäße Abfallbehandlung des Produkts und dessen Batterie zu gewährleisten, müssen diese im Einklang mit allen anwendbaren örtlichen Vorschriften zur Entsorgung von Elektrogeräten und Batterien entsorgt werden. Dabei helfen Sie, natürliche Ressourcen zu schonen und Umweltschutzstandards zur Verwertung und Entsorgung von Altgeräten aufrecht zu halten (Waste Electrical and Electronic Equipment Directive).

4. CE-Kennzeichen

Hiermit erklärt Commaxx B.V. Wiebachstraat 37, 6466 NG Kerkrade, The Netherlands, dass dieses Produkt den grundsätzlichen Anforderungen der EU-Richtlinie entspricht. Die Konformitätserklärung ist erhältlich unter techdoc@commaxxgroup.com



5. Service

Weitere Informationen und Unterstützung erhalten Sie unter www.lenco.com
Commaxx B.V. Wiebachstraat 37, 6466 NG Kerkrade, Die Niederlande.

ATTENTION :

L'utilisation de commandes ou d'ajustements ou l'exécution de procédures autres que celles spécifiées dans le présent document peuvent entraîner une exposition dangereuse aux radiations.

PRÉCAUTIONS AVANT UTILISATION

GARDEZ CES INSTRUCTIONS À L'ESPRIT :

1. Ne couvrez pas et n'obtenez pas les ouvertures de ventilation. Lorsque vous placez l'appareil sur une étagère, laissez 5 cm (2") d'espace libre tout autour de l'appareil.
2. Installez-le conformément au mode d'emploi fourni.
3. Gardez l'appareil à l'écart des sources de chaleur telles que des radiateurs, appareils de chauffage, fours, bougies et autres produits générant de la chaleur ou une flamme nue. L'appareil ne peut être utilisé que dans des climats modérés. Les environnements extrêmement froids ou chauds doivent être évités. La plage de température de fonctionnement se situe entre 0° et 35° C.
4. Évitez d'utiliser l'appareil à proximité de champs magnétiques puissants.
5. Des décharges électrostatiques peuvent perturber le fonctionnement de cet appareil. Dans ce cas, il suffit de réinitialiser et de redémarrer l'appareil en suivant le mode d'emploi. Pendant le transfert de fichiers, manipulez l'appareil avec précaution et faites-le fonctionner dans un environnement sans électricité statique.
6. Mise en garde ! N'introduisez jamais un objet dans l'appareil par les ouvertures et les fentes de ventilation. Étant donné que des tensions élevées sont présentes à l'intérieur du produit, l'insertion d'un objet peut entraîner une électrocution et/ou court-circuiter les composants internes. Pour les mêmes raisons, ne versez pas de l'eau ou un liquide sur le produit.
7. Ne l'utilisez pas dans des endroits humides tels qu'une salle de bain, une cuisine pleine de vapeur ou à proximité d'une piscine.
8. L'appareil ne doit pas être exposé à des écoulements ou des éclaboussures et aucun objet contenant un liquide, tel qu'un vase, ne doit être posé sur ou près de l'appareil.
9. N'utilisez pas cet appareil lorsque de la condensation est possible. Lorsque l'appareil est utilisé dans une pièce humide et chaude, des gouttelettes d'eau ou de la condensation peuvent se former à l'intérieur de l'appareil et affecter son fonctionnement. Laissez l'appareil hors tension pendant 1 ou 2 heures avant de le mettre en marche : l'appareil doit être sec avant sa mise sous tension.
10. Bien que ce dispositif soit fabriqué avec le plus grand soin et contrôlé à plusieurs reprises avant de quitter l'usine, des problèmes peuvent néanmoins survenir, comme avec tous les appareils électriques. Si l'appareil émet de la fumée ou en cas d'accumulation excessive de la chaleur ou d'un phénomène inattendu, débranchez immédiatement la fiche d'alimentation du secteur.
11. Cet appareil doit fonctionner avec la source d'alimentation indiquée sur la plaque signalétique. Si vous n'êtes pas sûr du type d'alimentation utilisé chez vous, contactez votre revendeur ou le fournisseur local d'électricité.
12. Tenez l'appareil à l'abri des animaux. Certains animaux aiment ronger les cordons électriques.
13. Pour nettoyer l'appareil, servez-vous d'un chiffon doux et sec. N'utilisez pas de solvant ni d'autre liquide à base de pétrole. Pour enlever les taches importantes, vous pouvez vous servir d'un chiffon humide imbibé d'une solution de détergent diluée.
14. Le fournisseur n'est pas responsable des dommages ou pertes de données causés par un dysfonctionnement, une utilisation abusive, une modification de l'appareil ou un remplacement de la batterie.
15. N'interrompez pas la connexion lorsque l'appareil formate ou transfère des fichiers. Dans le cas contraire, les données pourraient être endommagées ou perdues.
16. Si l'appareil a une fonction de lecture USB, il faut brancher la clé USB directement sur l'appareil. N'utilisez pas un câble d'extension USB, car cela peut causer des interférences entraînant des pertes de données.
17. L'étiquette de classification se trouve sur le panneau inférieur ou arrière de l'appareil.
18. Cet appareil ne doit pas être utilisé par des personnes (y compris les enfants) souffrant de déficiences physiques, sensorielles ou mentales, ou d'un manque d'expérience et de connaissances, à moins qu'elles n'aient été supervisées ou qu'une personne responsable de leur sécurité ne leur ait donné des instructions sur l'utilisation correcte de l'appareil.
19. Ce produit est réservé à un usage non professionnel, et non pas à un usage commercial ni industriel.
20. Vérifiez que l'appareil est en position stable. La garantie ne couvre pas les dégâts occasionnés par l'utilisation de cet appareil en position instable, par les vibrations, les chocs ou par la non-observation de tout autre avertissement ou précaution contenus dans ce mode d'emploi.
21. N'ouvrez jamais cet appareil.
22. Ne placez jamais cet appareil sur un autre appareil électrique.

23. Ne laissez pas les sacs en plastique à la portée des enfants.
24. Utilisez uniquement les accessoires recommandés par le fabricant.
25. Confiez l'entretien et les réparations à un personnel qualifié. Une réparation est nécessaire lorsque l'appareil a été endommagé de quelque façon que ce soit, par exemple lorsque le cordon d'alimentation ou la prise sont endommagés, lorsqu'un liquide s'est déversé ou des objets sont tombés sur l'appareil, lorsque l'appareil a été exposé à la pluie ou à l'humidité, lorsqu'il ne fonctionne pas correctement ou est tombé.
26. Une exposition prolongée à la musique avec un volume élevé peut entraîner une perte auditive temporaire ou permanente.
27. Si l'appareil est livré avec un câble d'alimentation ou un adaptateur secteur :
 - En cas de problème, débranchez le cordon d'alimentation CA et confiez l'entretien à un personnel qualifié.
 - Ne marchez pas sur l'adaptateur secteur ou ne le coincez pas. Faites très attention, en particulier à proximité des fiches et du point de sortie du câble. Ne placez pas d'objets lourds sur l'adaptateur secteur, car ils pourraient l'endommager. Gardez l'appareil hors de portée des enfants ! Ils pourraient se blesser gravement s'ils jouent avec le câble d'alimentation.
 - Débranchez cet appareil pendant les orages ou lorsqu'il n'est pas utilisé pendant une longue durée.
 - La prise secteur doit être installée près de l'appareil et doit être facilement accessible.
 - Ne surchargez pas les prises de courant ou les rallonges. Une surcharge peut entraîner un incendie ou une électrocution.
 - Les appareils de classe 1 doivent être branchés à une prise de courant disposant d'une connexion protectrice à la terre.
 - Les appareils à la norme de construction de classe 2 ne nécessitent pas de connexion à la terre.
 - Tirez toujours sur la fiche pour débrancher le cordon de la prise secteur. Ne tirez pas sur le cordon d'alimentation. Cela pourrait provoquer un court-circuit.
 - N'utilisez pas un cordon ou une fiche d'alimentation endommagé ni une prise desserrée. Vous courez un risque d'incendie ou de décharge électrique.
28. Si le produit contient ou est livré avec une télécommande contenant des piles boutons :

Avertissement :

 - « N'ingérez pas la pile, car vous risquez une brûlure chimique » ou une formule équivalente.
 - La télécommande fournie contient une pile bouton/pièce de monnaie. Si la pile est avalée, elle peut causer de graves brûlures internes en seulement 2 heures et peut entraîner la mort.
 - Tenez les piles neuves et usagées hors de portée des enfants.
 - Si le compartiment à piles ne se ferme pas correctement, cessez d'utiliser l'appareil et tenez-le hors de portée des enfants.
 - Si vous pensez que les piles ont été avalées ou placées à l'intérieur d'une partie du corps, consultez un médecin immédiatement.
29. Mise en garde relative à l'utilisation des piles :
 - Risque d'explosion si la pile est mal remplacée. Remplacez les piles par des piles d'un type identique ou équivalent.
 - Pendant l'utilisation, le stockage ou le transport, la pile ne doit pas être soumise à des températures extrêmement élevées ou basses, à une faible pression d'air à haute altitude.
 - Le remplacement d'une pile par une autre de type incorrect peut entraîner une explosion ou une fuite de liquide ou de gaz inflammable.
 - L'introduction d'une pile dans le feu ou dans un four chaud, l'écrasement ou le découpage mécanique peut entraîner une explosion.
 - L'exposition d'une pile dans un environnement à température extrêmement élevée peut entraîner une explosion ou une fuite de liquide ou de gaz inflammable.
 - L'exposition d'une pile à une pression d'air extrêmement basse peut entraîner une explosion ou une fuite de liquide ou de gaz inflammable.
 - Veuillez considérer les questions environnementales lors de la mise au rebut des piles.

INSTALLATION

- Déballez toutes les pièces et enlevez le matériau de protection.
- Ne connectez pas l'unité au secteur avant d'avoir vérifié la tension du secteur et avant que toutes les autres connexions n'aient été effectuées.

Avertissement pour lecteur CD/DVD :

AVERTISSEMENT

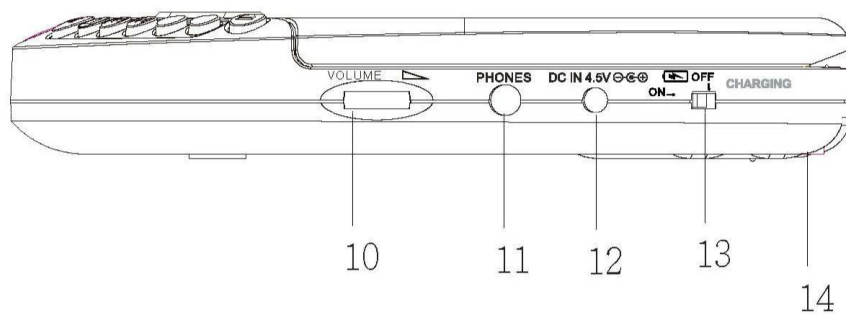
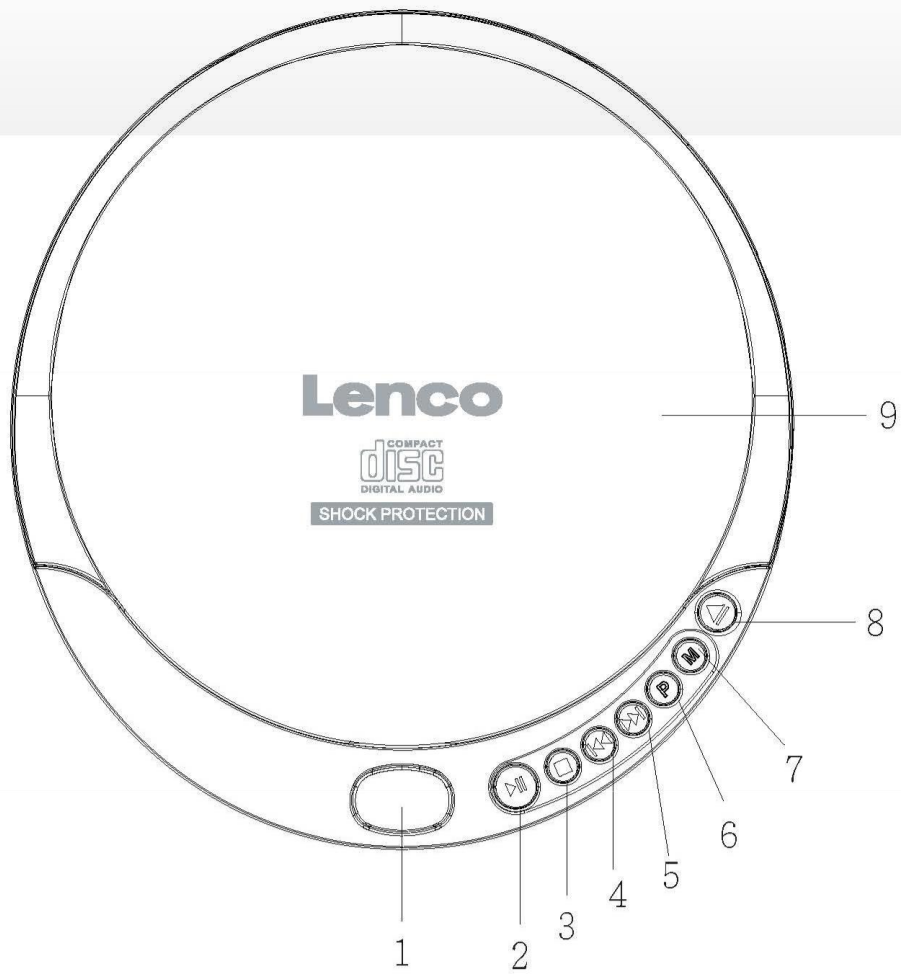
Produit laser de classe 1



Avertissement : Ne touchez pas la tête de lecture.

	<p>AVERTISSEMENT : L'utilisation d'un lecteur de musique personnel dans la circulation peut détourner l'attention de l'auditeur de dangers potentiels tels que l'approche des voitures.</p>
	<p>AVERTISSEMENT : Pour éviter une éventuelle détérioration de l'ouïe, n'écoutez pas la musique à un niveau de volume élevé pendant des périodes prolongées.</p>

1. DESCRIPTION DE L'UNITE



1. ÉCRAN LCD
2. Bouton LECTURE/PAUSE
3. Bouton ARRÊT
4. Bouton PASSER- / RECHERCHE
5. Bouton PASSER+ / RECHERCHE
6. Bouton PROGRAMME
7. Bouton MODE
8. Bouton OUVRIR COMMUTER
9. PORTE CD
10. Bouton VOLUME
11. PRISE POUR ÉCOUTEURS
12. PRISE JACK DC
13. COMMUTATEUR DE CHARGE DE BATTERIE
14. COMPARTIMENT À PILES

ACCESSOIRES

1. Ecouteurs stéréo
2. Prise USB vers câble jack DC

2. Fonction

MISE SOUS TENSION

Utiliser avec des piles normales (non incluses)

1. Ouvrir le capot du compartiment de piles en bas de l'unité en le glissant et soulever. (Ne pas retirer le capot de piles).
2. Insérer 2 piles alcalines 1,5 V / UM-3 / AA, en suivant la bonne polarité comme indiquée sur le compartiment de piles.
3. Fermer le capot du compartiment de piles.
4. S'assurer que le commutateur de chargement de batterie (13) sur le côté est en position OFF. NE JAMAIS UTILISER DE PILES ORDINAIRES AVEC LE COMMUTATEUR DE CHARGEMENT EN POSITION ON !

Utiliser un adaptateur AC / DC ou un adaptateur USB (non inclus)

1. Insérer la fiche DC à l'extrémité du fil d'adaptateur AC / DC ou connecter la fiche USB vers le câble de jack DC avec l'adaptateur USB, dans la prise INPUT DC 4,5 V (12) sur le côté de l'unité.
2. Connecter AC / DC ou l'adaptateur USB dans la prise AC 100-240 V, 50/60 Hz.

Remarques :

Si l'adaptateur AC / DC ou USB est connecté quand des piles ordinaires sont installées, l'alimentation passe automatiquement à la source AC.

Si vous voulez utiliser un adaptateur AC / DC, veuillez prendre uniquement un modèle 4,5 V ayant la polarité correcte.

S'assurer que l'adaptateur AC / DC ou USB corresponde à la tension domestique avant de le connecter à la prise de courant.

Quand vous n'utilisez pas le courant AC, débrancher l'adaptateur AC / DC ou USB de la prise de courant.

Ne pas toucher l'adaptateur AC / DC avec les mains mouillées.

Utiliser des piles rechargeables (non incluses)

1. Débrancher l'adaptateur AC / DC ou USB de la prise de courant s'il était connecté à l'unité.
2. Ouvrir le compartiment de piles comme mentionné précédemment.
3. Insérer 2 piles rechargeables en suivant la polarité correcte comme indiquée sur le compartiment de piles.
4. Fermer le capot du compartiment de piles.

5. Mettre l'INTERRUPTEUR DE CHARGEMENT DE BATTERIE (13) sur ON pour démarrer la fonction de chargement.
6. Après 15 heures de chargement, mettre le COMMUTATEUR DE CHARGEMENT DE BATTERIE (13) sur OFF.

Indication de la durée de lecture des piles rechargeables.

- 2 x 700 mAh devraient lire pendant 3 à 4 heures.
- 2 x 2800 mAh devraient lire pendant 12 à 14 heures.

Précautions :

NE PAS mélanger des piles rechargeables et ordinaires.

NE PAS charger continuellement pendant plus de 24 heures, sinon cela détériorera les performances des piles rechargeables.

NE PAS essayer de charger des piles ordinaires (non rechargeables). Elles peuvent exploser !

Remarques :

Si les piles rechargeables sont chargées pour la première fois, il faudra environ 15 heures pour les charger complètement. Si la durée de fonctionnement diminue énormément quand les piles sont rechargées correctement, acheter de nouvelles piles rechargeables.

ECOUTEURS

Connecter les écouteurs stéréo (inclus) au jack de téléphone (11).

LECTURE CD / MP3

1. Brancher les écouteurs (inclus) ou des écouteurs en option dans le jack de téléphone.
2. Appuyer sur le bouton d'ouverture de capot (8) pour ouvrir la porte du compartiment CD.
3. Installez-y un CD avec la face imprimée vers le haut.
4. Fermer la porte de compartiment CD jusqu'à entendre un clic.
5. Régler le VOLUME (10) au minimum.
6. Appuyer sur PLAY / PAUSE (2), l'unité s'allume automatiquement et indique le nombre de morceaux et la durée du CD. Le nombre total de dossiers et de morceaux pour le CD-MP3 apparaît sur l'écran. La lecture commence. Pendant la lecture, le morceau en cours et la durée apparaît. CD + MP3
7. Régler le VOLUME au niveau d'écoute désiré.

8. Pour arrêter temporairement la lecture, appuyer une fois sur LECTURE / PAUSE (2). Le temps écoulé clignote et le numéro de morceau apparaissent sur l'écran. Rappuyez sur le bouton LECTURE/PAUSE pour reprendre la lecture.
9. Pour arrêter la lecture, appuyer une fois sur STOP (3).
10. Pour éteindre l'unité, appuyer deux fois sur STOP (3).

Remarques :

Quand la porte de CD est accidentellement ouverte pendant la lecture, « Open » apparaît sur l'écran.

Attendre jusqu'à ce que le disque soit totalement arrêté en appuyant sur OPEN (8).

LOCALISER UN MORCEAU PARTICULIER OU POINT DU MORCEAU

1. Appuyer sur BACKWARD (retour) (4) une fois pour revenir au début du morceau en cours.
2. Appuyer répétitivement sur BACKWARD pour revenir aux morceaux précédents.
3. Appuyer sur FORWARD (avance) (5) répétitivement pour avancer aux morceaux suivants.
4. Appuyer et maintenir sur FORWARD ou BACKWARD pour chercher en avançant ou reculant un point particulier du morceau à haute vitesse. L'audio à faible niveau sera entendu pendant la recherche pour aider à trouver le point correct du morceau.

REPETER LA LECTURE

1. Appuyer sur PLAY / PAUSE (2).
2. Pour répéter le même morceau, appuyer une fois sur MODE (7) pendant la LECTURE. « REP 1 » apparaît sur l'écran. Le CD commence à répéter la lecture du même morceau jusqu'à ce que STOP (3) soit appuyé. Appuyer 5 fois sur MODE (7) pour annuler la répétition unique. L'indicateur « REP 1 » disparaît de l'écran.
3. Pour répéter l'ALBUM entier, appuyer deux fois sur MODE (7). « REP ALL » apparaît sur l'écran. Appuyer 3 fois sur MODE (7) pour annuler la répétition de l'album. L'indicateur « REP ALL » disparaît de l'écran.
4. Pour répéter tout le disque MP3, appuyer trois fois sur MODE (7) (6). « REP DIR » apparaît sur l'écran. Appuyer trois fois sur MODE (7) pour annuler la répétition de tout le disque. L'indicateur « REP DIR » disparaît de l'écran.

LECTURE ALÉATOIRE

1. Appuyer 4 fois sur MODE (7) pour entrer en mode aléatoire. « RND » apparaît sur l'écran, puis le CD commence la lecture de tous les morceaux de l'album dans un ordre aléatoire.
2. Appuyer sur SKIP (passer) pour aller au morceau suivant aléatoirement.
3. Appuyer deux fois de plus sur MODE (7) pour revenir en mode lecture normale.

LECTURE INTRO

1. Appuyer sur PLAY / PAUSE (2).
2. Appuyer 5 fois sur MODE (7) pour entrer en mode Intro, « INTRO » apparaît sur l'écran.
3. Appuyer sur PLAY, le CD commence à lire les 10 premières secondes de chaque morceau de chaque album sur le CD.
4. Appuyer sur MODE (7) une fois de plus pour annuler la lecture Intro et reprendre la lecture normale.
5. L'alimentation est coupée automatiquement après 60 secondes quand tous les morceaux ont été joués.

PROGRAMME DE LECTURE

1. Appuyer sur PLAY / PAUSE (2) et après 8 secondes sur le bouton STOP (3).
2. Appuyer sur PROG (6), voici ce qui apparaît sur l'écran : (001 P-01) et le 001 clignote.
3. Appuyer sur SKIP Avant et Arrière (4, 5) pour sélectionner le morceau à programmer et appuyer sur PROG (6) une fois pour confirmer.
4. Répéter l'étape 3 pour programmer jusqu'à 20 morceaux.
5. Appuyer une fois sur PLAY / PAUSE (2) pour commencer la lecture programmée.
6. Pour annuler la lecture programmée, appuyer deux fois sur STOP (3), puis appuyer une fois sur STOP (3), vous pouvez redémarrer la lecture programmée dans les 30 secondes. (Après l'arrêt de lecture, l'unité se met en mode de veille après 30 secondes pour économiser les piles). Quand la lecture programmée est activée, « PROG » est indiqué sur l'écran LCD.

REMARQUE :

En lisant un disque MP3, appuyer et relâcher le bouton PROG (6) pour avancer de 10 morceaux. Maintenir appuyé le bouton pendant environ 0,5 seconde pour lire le premier morceau dans le dossier suivant s'il y a plusieurs dossiers sur le disque. (La fonction suivante est active uniquement en lisant des disques MP3)

FONCTION DE REPRISE AUTOMATIQUE

Pour activer la fonction de reprise automatique, vous devez appuyer deux fois sur le bouton ARRÊT (3). Le lecteur s'éteint. Appuyez une fois sur le bouton de lecture (2) pour mettre le lecteur en marche et reprendre la lecture au point d'arrêt précédent.

Si vous n'appuyez qu'une seule fois sur le bouton d'arrêt, le lecteur s'arrête, mais n'est pas mis hors tension. Si vous recommencez la lecture, le lecteur annule la fonction de reprise et commence la lecture à partir de la piste 01.

Veuillez noter que la fonction de reprise automatique s'active uniquement si l'appareil est connecté à une source d'alimentation (câble CC ou piles).

FONCTION ANTICHOC

En cours d'utilisation, le lecteur peut subir des chocs ou des vibrations (l'appareil à la ceinture en marchant ou dans un véhicule en marche). Dès que le bouton PLAY / PAUSE est appuyé, la fonction ASP est automatiquement activée pour que la lecture soit ininterrompue. L'indicateur « ESP » sur l'écran clignote quand l'appareil est en cours d'utilisation, il indique que la « Protection Electronique Skip » est activée

Si le lecteur subit des chocs continuellement pendant plus de 40 secondes en lecture CD ou 100 secondes en lecture MP3, le son peut être coupé brièvement et reprend une fois que le lecteur est stabilisé.

La fonction Antichoc ne corrige pas les erreurs provenant de l'utilisation de disques rayés ou sales.

ÉCONOMIE D'ÉNERGIE

Si l'unité ne lit pas pendant 30 secondes, elle s'éteint automatiquement.

3. Caractéristiques

LECTEUR CD / MP3 PORTABLE	CD-200/CD-201/CD-202
Lit des disques	Disques CD audio, MP3
Protection antichoc.	40 secondes = CD audio, 100 secondes = disques MP3
Connecteur de sortie	Prise d'écouteurs de 3,5 mm
Alimentation secteur	4,5 V
Batterie	2 piles AA 3 V (non incluses)

1. Garantie

Lenco propose un entretien et une garantie conformément à la législation européenne, ce qui signifie qu'en cas de besoin de réparation (aussi bien pendant et après la période de garantie), vous pouvez contacter votre revendeur le plus proche.

Remarque importante : Il n'est pas possible de renvoyer l'appareil pour réparation directement à Lenco.

Remarque importante : Si l'unité est ouverte ou modifiée de quelque manière que ce soit par un réparateur non agréé, la garantie serait caduque.

Cet appareil ne convient pas à une utilisation professionnelle. En cas d'utilisation professionnelle, les obligations de garantie du fabricant seront annulées.

2. Clause de non responsabilité

Des mises à jour du logiciel et/ou des composants informatiques sont régulièrement effectuées. Il se

peut donc que certaines instructions, caractéristiques et images présentes dans ce document diffèrent légèrement de votre configuration spécifique. Tous les articles décrits dans ce guide le sont fournis uniquement à des fins d'illustration et peuvent ne pas s'appliquer à une configuration

spécifique. Aucun droit légal ne peut être obtenu depuis les informations contenues dans ce manuel.

3. Mise au rebut de l'appareil usagé



Ce symbole indique que l'équipement électrique concerné ou la batterie ne doivent pas être jetés parmi les autres déchets ménagers en Europe. Afin de garantir un traitement approprié de la batterie ou de l'appareil usagés, veuillez les mettre au rebut conformément à la réglementation locale en vigueur relative aux équipements électriques et autres batteries. En agissant de la sorte, vous contribuerez à la préservation des ressources naturelles et à l'amélioration des niveaux de protection environnementale concernant le traitement et la destruction des déchets électriques (Directive sur les déchets des équipements électriques et électroniques).

4. Marquage CE

Par la présente, Commaxx B.V. Wiebachstraat 37, 6466 NG Kerkrade, Pays-Bas, déclare que ce produit est conforme aux exigences principales des directives européennes. La déclaration de conformité peut être consultée au lien : techdoc@commaxxgroup.com



5. Service

Pour en savoir plus et obtenir de l'assistance, visitez www.lenco.com

Commaxx B.V. Wiebachstraat 37, 6466 NG Kerkrade, Pays-Bas.

PRECAUCIÓN:

El uso de controles o ajustes o rendimiento de procedimientos excepto aquellos que los aquí especificados puede provocar una exposición peligrosa a la radiación.

PRECAUCIONES PREVIAS AL USO**TENGA ESTAS INSTRUCCIONES EN MENTE:**

1. No cubra o bloquee ninguna apertura de ventilación. Cuando coloque el dispositivo en una estantería, deje 5 cm (2") de espacio libre alrededor de todo el dispositivo.
2. Instálelo conforme al manual de usuario que se adjunta.
3. Mantenga el aparato alejado de fuentes de calor, como radiadores, calentadores, estufas, velas u otros productos que generen calor o llama viva. El aparato solo puede usarse en climas moderados. Se deben evitar los ambientes extremadamente fríos o cálidos. La gama de temperatura de funcionamiento es de entre 0° y 35°C.
4. Evite usar el dispositivo cerca de campos magnéticos fuertes.
5. Una descarga electrostática puede entorpecer el uso normal de este dispositivo. En tal caso, simplemente reinicielo siguiendo el manual de instrucciones. Durante la transmisión de archivos, por favor manéjelo con cuidado opérelolo en un entorno libre de electricidad estática.
6. ¡Advertencia! Nunca inserte un objeto en el producto a través de las ventilaciones o aperturas. Alto voltaje fluye a través del producto e insertar un objeto puede provocar una descarga eléctrica y/o un cortocircuito de sus componentes internos. Por el mismo motivo, no derrame agua o líquidos en el producto.
7. No lo utilice en zonas húmedas, como cuartos de baño, cocinas en las que se forme vapor ni cerca de piscinas.
8. El aparato no debe exponerse a goteos o salpicaduras y asegúrese de que se colocan sobre o cerca del aparato objetos llenos de líquidos, como jarrones.
9. No use este dispositivo cuando se pueda producir condensación. Cuando la unidad se usa en una sala húmeda cálida, se pueden formar gotitas de agua o condensación en el interior de la unidad y esta puede no funcionar adecuadamente; deje que la unidad se apague durante 1 o 2 horas antes de volver a encender la unidad: el aparato debe estar seco antes de conectarse a una fuente de alimentación.
10. Aunque este dispositivo está fabricado con el máximo cuidado y comprobado varias veces antes de salir de fábrica, todavía es posible que se puedan producir problemas, al igual que con todos los aparatos eléctricos. Si observa la aparición de humo, una acumulación excesiva de calor o cualquier otro fenómeno inesperado, deberá desconectar inmediatamente el enchufe de la toma de corriente.
11. Este dispositivo debe funcionar con una fuente de alimentación que se especifica en la etiqueta de especificaciones. Si no está seguro del tipo de alimentación que se usa en su hogar, consulte con el distribuidor o una compañía eléctrica local.
12. Manténgalo alejado de los animales. A algunos animales les encanta morder los cables de alimentación.
13. Para limpiar el dispositivo use un paño seco y suave. No utilice líquidos disolventes ni con base de petróleo. Para eliminar manchas difíciles, puede usar un paño húmedo con detergente diluido.
14. El proveedor no asume ninguna responsabilidad por daños o datos perdidos provocados por un funcionamiento incorrecto, uso incorrecto, modificación del dispositivo o sustitución de la batería.
15. No interrumpa la conexión cuando el dispositivo esté formateando o transfiriendo archivos. En caso contrario, los datos se pueden estropear o perder.
16. Si la unidad dispone de función de reproducción USB, se debe conectar la memoria USB directamente en la unidad. No utilice un cable de extensión USB ya que pueden crear interferencias que causen una pérdida de datos.
17. La etiqueta calificativa se encuentra en la parte inferior o en el panel posterior del aparato.
18. Este dispositivo no está diseñado para su uso por parte de personas (incluyendo niños) con discapacidad física, sensorial o mental o con falta de experiencia o conocimientos, salvo que se les haya dado supervisión o instrucciones acerca del uso correcto del dispositivo por parte de una persona responsable de su seguridad.
19. Este producto está diseñado para un uso no profesional únicamente y no para un uso comercial o industrial.
20. Asegúrese de que la unidad esté fijada en una posición estable. La garantía no cubrirá los daños derivados de usar este producto en una posición inestable, vibraciones o golpes o por no seguir otras advertencias o precauciones que aparecen en este manual de usuario.
21. Nunca retire la carcasa del dispositivo.
22. Nunca coloque este dispositivo sobre otro equipo eléctrico.

23. Mantenga las bolsas de plástico fuera del alcance de los niños.
24. Use únicamente los dispositivos/accesorios especificados por el fabricante.
25. Remita todas las reparaciones al personal cualificado. Es necesario el mantenimiento cuando el aparato presenta cualquier tipo de daño, por ejemplo, el cable de alimentación o el enchufe presentan daños; se ha vertido líquido sobre el aparato; se han caído objetos en el aparato; el aparato se ha expuesto a la lluvia o humedad; el aparato no funciona normalmente o se ha caído.
26. Una larga exposición a sonidos elevados de reproductores de música personales puede provocar una pérdida de audición temporal o permanente.
27. Si el producto viene con un cable de alimentación o un adaptador de corriente de CA:
 - Si se produce cualquier problema, desconecte el cable de alimentación CA y remítalo a mantenimiento por parte de personal cualificado.
 - No pise o pince el adaptador de alimentación. Tenga mucho cuidado, en especial en las zonas alrededor de las tomas y el punto de salida del cable. No coloque objetos pesados en el adaptador de alimentación, ya que pueden dañarlo. ¡Mantenga el dispositivo fuera del alcance de los niños! Si juegan con el cable de alimentación, puede sufrir lesiones graves.
 - Desconecte el dispositivo durante tormentas eléctricas o cuando no vaya a usarse durante periodos prolongados de tiempo.
 - La salida de la toma debe instalarse cerca del equipo y debe ser fácilmente accesible.
 - No sobrecargue las tomas CA o los cables de extensión. La sobrecarga puede provocar un incendio o una descarga eléctrica.
 - Los dispositivos con construcción de Clase 1 deben estar conectados a una toma de corriente con una conexión a tierra protegida.
 - Los dispositivos con construcción de Clase 2 no requieren una conexión a tierra.
 - Sujete siempre el enchufe cuando los extraiga de la toma de corriente. No tire del cable de alimentación. Esto puede provocar un cortocircuito.
 - No utilice un cable de alimentación o enchufe deteriorado o una toma suelta. Si lo hace, podría provocar un incendio o una descarga eléctrica.
28. Si el producto contiene o se entrega con un mando a distancia que contiene pilas de botón / celdas:

Advertencia:

 - “Ni ingiera la pila, riesgo de quemadura química” o frase equivalente.
 - [El mando a distancia que se suministra] Este producto contiene una pila de tipo botón/moneda. Si la pila se traga, puede provocar graves quemaduras internas en sólo 2 horas y podría ocasionar la muerte.
 - Mantenga las pilas nuevas o usadas fuera del alcance de los niños.
 - Si el compartimiento de las pilas no se cierra correctamente, deje de usar el producto y no lo deje al alcance de los niños.
 - Si tiene la sospecha de que una pila ha sido ingerida o se encuentra en algún lugar del cuerpo, busque inmediatamente atención médica.
29. Precaución sobre el uso de las pilas:
 - Existe riesgo de explosión si la pila no se sustituye correctamente. Sustitúyala únicamente con otra del mismo tipo u otro equivalente.
 - No se pueden exponer las pilas a temperaturas extremadamente altas o bajas, baja presión de aire a gran altitud durante el uso, almacenamiento o transporte.
 - Si cambia la pila por otra que no sea la correcta, se puede producir una explosión o la fuga de líquidos o gases inflamables.
 - Si arroja la pila al fuego o a un horno caliente, o aplasta o corta mecánicamente una pila, podría provocar una explosión.
 - Si deja una pila en un lugar con temperaturas extremadamente altas, se puede producir una explosión o una fuga de líquido o gas inflamable.
 - Si se expone la pila a una presión de aire extremadamente baja, se puede producir una explosión o la fuga de líquidos o gases inflamables.
 - Se debe prestar atención a los aspectos medioambientales sobre la eliminación de baterías.


INSTALACIÓN

- Desembale todas las piezas y retire el material protector.
- No conecte la unidad a la corriente eléctrica antes de comprobar la tensión de la corriente y antes de que se hayan hecho todas las demás conexiones.

Advertencia para reproductor de CD / DVD:

ADVERTENCIA

Producto Láser Clase 1

<p>PRODUCTO LÁSER DE CLASE 1 APPAREIL À LASER DE CLASSE 1 PRODUCTO LASER DE CLASE 1</p>	<p>PRECAUCIÓN RADIACIÓN LÁSER INVISIBLE AL ABRIRLO Y ANULAR EL SISTEMA DE BLOQUEO. EVITE LA EXPOSICIÓN A ESTE HAZ</p>	
---	---	---

Este producto contiene un dispositivo láser de baja potencia.

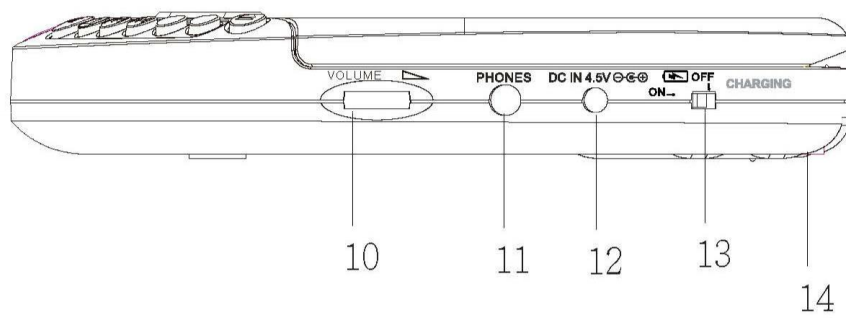
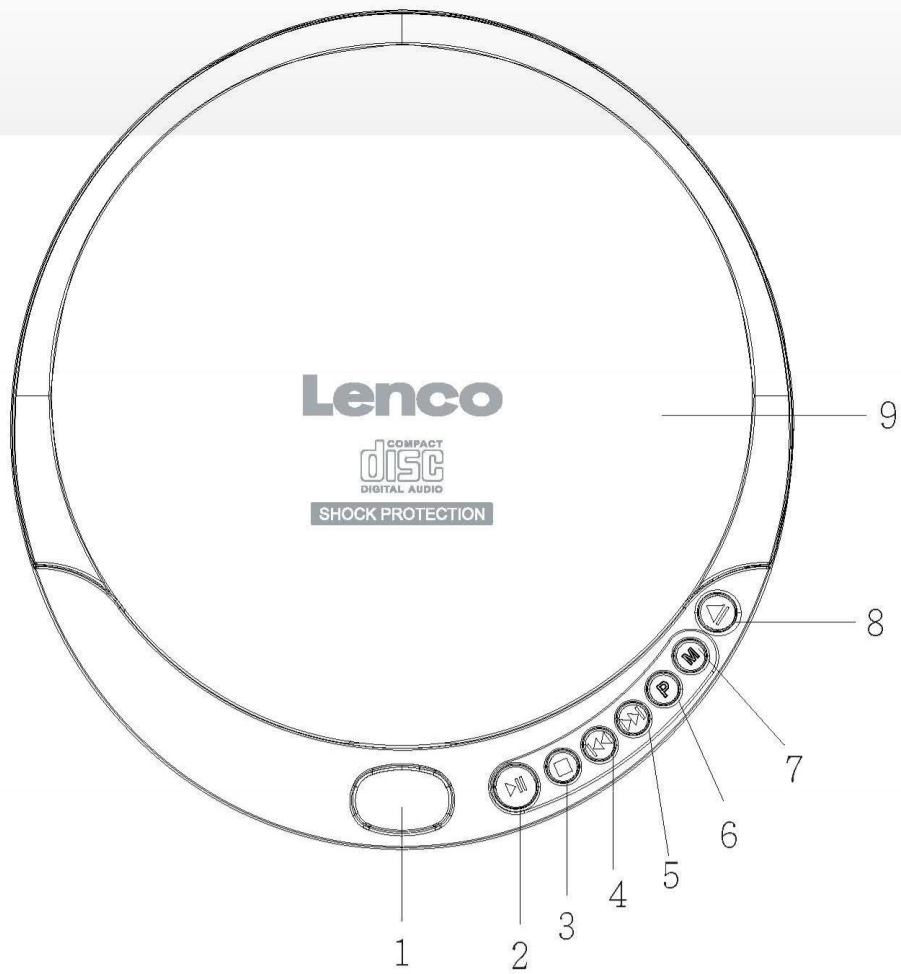
Advertencia: No toque la lente.



ADVERTENCIA: Utilizar un reproductor de música personal mientras participa en el tráfico puede hacer que el usuario esté menos atento a los peligros potenciales, como vehículos que se acercan.

ADVERTENCIA: Para evitar posibles daños en la audición, no la escuche a volúmenes elevados durante largos periodos de tiempo.

1. DESCRIPCIÓN DE LA UNIDAD



1. PANTALLA LCD
2. Botón REPRODUCIR/PAUSA
3. Botón DETENER
4. Botón SALTAR-/BUSCAR
5. Botón SALTAR+/BUSCAR
6. Botón PROGRAMA
7. Botón MODO
8. Botón ABRIR
9. TAPA DEL CD
10. Botón VOLUMEN
11. TOMA DE TELÉFONO
12. CONECTOR DE ENTRADA CC
13. INTERRUPTOR DE CARGA DE LAS PILAS
14. COMPARTIMENTO PARA LAS PILAS

ACCESORIOS

1. Auriculares estéreo
2. Conector USB y de cable CC

2. Función

ENCENDIDO

Uso con pilas normales (no incluidas)

1. Abra la tapa del compartimento de las pilas, ubicado en la parte inferior de la unidad, deslizándolo y levantándolo. (no retire la tapa).
2. Inserte 2 pilas alcalinas UM-3 AA de 1,5 V respetando la polaridad correcta, como se indica en el compartimento de las pilas.
3. Cierre la tapa del compartimento de las pilas.
4. Compruebe que el interruptor de carga de las pilas (13) esté en la posición OFF. ¡NUNCA UTILICE PILAS NORMALES CON EL INTERRUPTOR DE CARGA EN POSICIÓN ON!

Uso con un adaptador CA/CC o un adaptador USB (no incluidos)

1. Inserte el conector CC del extremo del cable del adaptador CA/CC o enchufe el conector USB al cable con conector CC con el adaptador USB a la toma de ENTRADA DE 4,5 VCC (12) ubicada en el lado de la unidad.
2. Conecte el adaptador CA/CC o USB a una toma eléctrica de 100-240 VCA, 50/60 Hz.

Notas:

Si el adaptador CA/CC o USB están conectados con las pilas insertadas, la fuente de alimentación cambiará automáticamente a fuente de alimentación CA.

Si desea utilizar un adaptador CA/CC, utilice solo un modelo de 4,5 V con la polaridad correcta.

Asegúrese de que el adaptador CA/CC o USB sea compatible con la tensión de su red doméstica antes de conectarlo a la toma de pared.

Cuando no utilice la alimentación CA, desconecte el adaptador CA/CC o USB de la toma de pared.

No toque el adaptador CA/CC o USB con las manos húmedas.

Uso con pilas recargables (no incluidas)

1. Desconecte el adaptador CA/CC o USB de la toma de pared si está conectado a la unidad.
2. Abra la tapa del compartimento de las pilas como se ha indicado anteriormente.
3. Inserte 2 pilas recargables respetando la polaridad correcta, como se indica en el compartimento de las pilas.
4. Cierre la tapa del compartimento de las pilas.
5. Coloque el INTERRUPTOR DE CARGA DE LAS PILAS (13) en la posición ON para iniciar la función de recarga.

6. Cuando hayan pasado 15 horas desde que inició la carga, coloque el INTERRUPTOR DE CARGA DE LAS PILAS (13) en OFF.

Indicaciones del tiempo de reproducción con pilas recargables completamente cargadas

- 2 pilas de 700 mAh deberían durar aproximadamente 3-4 horas.
- 2 pilas de 2800 mAh deberían durar aproximadamente 12-14 horas.

Precauciones:

NO mezcle pilas recargables y pilas normales.

NO cargue continuamente durante 24 horas o más, de lo contrario afectará al rendimiento de las pilas recargables.

NO intente cargar pilas normales (no recargables). ¡Podrían explotar!

Notas:

Si carga las pilas recargables por primera vez, tardarán aproximadamente 15 horas en cargarse completamente. Si el tiempo de funcionamiento se reduce drásticamente incluso si recarga adecuadamente las pilas recargables, compre un nuevo juego de pilas recargables.

AURICULARES

Conecte los auriculares estéreo (incluidos) al conector de auriculares (11).

REPRODUCCIÓN DE CD/MP3

1. Conecte los auriculares (incluidos) en el conector Phones.
2. Pulse el botón para abrir la tapa (8) para abrir la tapa del compartimento de CD.
3. Inserte un disco con la cara de la etiqueta hacia arriba.
4. Cierre la tapa del compartimento de CD hasta que escuche un chasquido.
5. Establezca el control VOLUME (10) al mínimo.
6. Pulse el botón REPRODUCIR/PAUSAR (2), la alimentación de la unidad se activará automáticamente y mostrará el número de pistas y el tiempo del CD. El número total de carpetas y pistas del CD MP3 aparecerá en la pantalla: La reproducción se inicia. Durante la reproducción, se mostrará el tiempo real, la pista y el tiempo transcurrido. CD + MP3
7. Ajuste el control de volumen al nivel de escucha deseado.
8. Para detener temporalmente la reproducción, pulse una vez el botón REPRODUCIR/PAUSAR (2). El tiempo transcurrido parpadeará y la pantalla mostrará el número de pista. Pulse otra vez el botón REPRODUCIR/PAUSAR para reanudar la reproducción.

9. Para detener la reproducción, pulse una vez el botón DETENER (3).
10. Para apagar la unidad, pulse dos veces el botón DETENER (3).

Notas:

Si la tapa del CD se abre accidentalmente durante la reproducción, la pantalla mostrará "Open".

Espere a que el disco se detenga completamente antes de pulsar el botón OPEN (8).

ENCONTRAR UNA PISTA CONCRETA O UN PUNTO DE LA PISTA

1. Pulse una vez el botón de retroceso (4) para ir al inicio de la pista actual.
2. Pulse repetidas veces el botón de retroceso para ir a pistas anteriores.
3. Pulse repetidas veces el botón de avance (5) para ir a pistas siguientes.
4. Mantenga pulsado el botón de avance o retroceso para buscar hacia delante o hacia atrás, a velocidad rápida, un punto concreto de la pista. Se escuchará audio con un nivel bajo durante el proceso de búsqueda para ayudar a el punto correcto de la pista.

REPRODUCCIÓN REPETIDA

1. Pulse el botón REPRODUCIR/PAUSAR (2).
2. Para repetir la misma pista, pulse una vez el botón MODO (7) durante la reproducción. "REP 1" aparecerá en la pantalla. El CD iniciará la reproducción repetida de una pista hasta que pulse el botón Detener (3). Pulse 5 veces el botón MODO (7) para cancelar la repetición de una canción. El indicador "REP 1" desaparecerá de la pantalla.
3. Para repetir todo el ÁLBUM, pulse dos veces el botón MODO (7). "REP ALL" aparecerá en la pantalla. Pulse 3 veces el botón MODO (7) para cancelar la repetición de todo el álbum. El indicador "REP ALL" desaparecerá de la pantalla.
4. Para repetir todo el disco MP3, pulse tres veces el botón MODO (7) (6). "REP DIR" aparecerá en la pantalla. Pulse 3 veces el botón MODO (7) para cancelar la repetición de todo el disco. El indicador "REP DIR" desaparecerá de la pantalla.

REPRODUCCIÓN ALEATORIA

1. Pulse 4 veces el botón MODO (7) para entrar en modo Aleatorio. "RND" aparecerá en la pantalla y se empezarán a reproducir todas las pistas del álbum en orden aleatorio.
2. Pulse el botón SALTAR para ir a la siguiente pista aleatoria.
3. Pulse dos veces más el botón MODO (7) para volver al modo de reproducción normal.

REPRODUCCIÓN DE INTRO

1. Pulse el botón REPRODUCIR/PAUSAR (2).
2. Pulse 5 veces el botón MODO (7) para entrar en modo Intro, aparecerá 'INTRO' en la pantalla.
3. Pulse el botón REPRODUCIR, el CD empezará a reproducir los primeros 10 segundos de cada pista de cada álbum del CD.
4. Pulse una vez más el botón MODO (7) para cancelar la reproducción de Intro y reanudar la reproducción normal.
5. El aparato se apaga automáticamente al cabo de 60 segundos, después de reproducir todas las pistas.

REPRODUCIR PROGRAMA

1. Pulse el botón REPRODUCIR/PAUSAR (2) y después de 8 segundos el botón DETENER (3).
2. Pulse el botón PROG (6), en la pantalla aparecerá: (001 P-01) y el 001 parpadeará.
3. Pulse los botones de SALTAR hacia delante y hacia atrás (4, 5) para seleccionar la pista que desee programar y pulse una vez el botón PROG (6) para confirmar.
4. Repita el paso 3 para programar hasta 20 pistas.
5. Pulse una vez el botón REPRODUCIR/PAUSAR (2) para iniciar la reproducción programada.
6. Para cancelar la reproducción programada, pulse dos veces el botón DETENER (3). Si pulsa una vez el botón DETENER (3), puede reiniciar la reproducción programada en un plazo de 30 segundos (después de detener toda la reproducción de música, la unidad entrará en modo de espera al cabo de 30 segundos para ahorrar pilas). Si la reproducción programada está activada, aparecerá "PROG" en la pantalla LCD.

NOTA:

Durante la reproducción de un disco MP3, pulse y suelte el botón PROG (6) para saltar 10 pistas hacia delante. Mantenga pulsado el botón durante aproximadamente 0,5 segundos para reproducir la primera pista de la carpeta siguiente si el disco contiene múltiples carpetas (la siguiente función está activa solo al reproducir discos MP3).

FUNCIÓN DE REANUDACIÓN AUTOMÁTICA

Para activar la función de reanudación automática, debe pulsar el botón de parada (3) dos veces. El reproductor se apagará. Pulse el botón de reproducción (2) una vez para encender el reproductor y reanudar la reproducción en el punto en el que se había parado.

Si solo pulsa el botón de parada una vez, el reproductor se detendrá y no se apagará. Si vuelve a iniciar la reproducción, el reproductor cancelará la función de reanudación y empezará a reproducir desde la pista 1.

Tenga en cuenta que la función de reanudación automática solo se activará si el dispositivo está conectado a una fuente de alimentación (cable de CC o pilas).

FUNCIÓN DE PROTECCIÓN CONTRA GOLPES

Durante el uso, es probable que el reproductor reciba golpes o vibraciones (mientras camina o en un vehículo en movimiento). En cuanto se pulsa el botón REPRODUCIR/PAUSAR, la función ASP se activa automáticamente para permitir una reproducción ininterrumpida. El indicador "ESP" en la pantalla parpadeará cuando el aparato esté en uso, indicando que se encuentra activada la "Protección Antideslizante Electrónica".

En caso de que el reproductor reciba continuamente golpes durante más de 40 segundos en reproducción de CD o 100 segundos en reproducción de MP3, se puede silenciar el sonido durante un periodo muy breve y reanudar cuando el reproductor se haya estabilizado del golpe.

La función de protección contra golpes no corregirá los errores derivados del uso de discos rayados o sucios.

AHORRO DE ENERGÍA

Si la unidad no reproduce nada durante aproximadamente 30 segundos, se apagará automáticamente.

3. Especificaciones

REPRODUCTOR DE CD/MP3 PORTÁTIL	CD-200/CD-201/CD-202
Reproduce discos	Audio CD, discos MP3
Protección contra golpes	40 segundos = audio CD, 100 segundos = discos MP3
Conector de salida	Toma de auriculares de 3,5 mm
Red eléctrica	4,5V
Batería	2 pilas AA de 3 V (no incluidas)

1. Garantía

Lenco ofrece servicio y garantía en cumplimiento con las leyes de la Unión Europea, lo cual implica que, en caso de que su producto precise ser reparado (tanto durante como después del periodo de garantía), deberá contactar directamente con su distribuidor.

Nota importante: No es posible enviar sus reparaciones directamente a Lenco.

Nota importante: Si la unidad es abierta por un centro de servicio no oficial, la garantía quedará anulada.

Este aparato no es adecuado para el uso profesional. En caso de darle un uso profesional, todas las obligaciones de garantía del fabricante quedarán anuladas.

2. Exención de responsabilidad

Regularmente se llevan a cabo actualizaciones en el Firmware y en los componentes del hardware. Por esta razón, algunas de las instrucciones, especificaciones e imágenes incluidas en este

documento pueden diferir ligeramente respecto a su situación particular. Todos los elementos descritos en esta guía tienen un objetivo de mera ilustración, y pueden no ser de aplicación en su situación particular. No se puede obtener ningún derecho ni derecho legal a partir de la descripción hecha en este manual.

3. Eliminación del antiguo dispositivo



Este símbolo indica que no deberá deshacerse del producto eléctrico o batería en cuestión junto con los residuos domésticos, en el ámbito de la UE. Para garantizar un tratamiento residual correcto del producto y su batería, por favor, elimínelos cumpliendo con las leyes locales aplicables sobre requisitos para el desecho de equipos eléctricos y baterías. De hacerlo, ayudará a conservar recursos naturales y mejorar los estándares de protección medioambiental en el tratamiento y eliminación de residuos eléctricos (Directiva sobre la Eliminación de Equipos Eléctricos y Electrónicos).



4. Marca CE

Por la presente, Commaxx B.V. Wiebachstraat 37, 6466 NG Kerkrade, Países Bajos, declara que este producto cumple con las exigencias esenciales de la directiva de la UE. La declaración de conformidad puede consultarse mediante techdoc@commaxxgroup.com



5. Service (Servicio)

Para obtener más información y soporte del departamento técnico, por favor, visite la página web www.lenco.com

Commaxx B.V. Wiebachstraat 37, 6466 NG Kerkrade, Países Bajos.

ATTENZIONE:

L'utilizzo di comandi o regolazioni o l'esecuzione di procedure diverse da quelle specificate può causare l'esposizione a radiazioni pericolose.

PRECAUZIONI PRIMA DELL'USO**CONSERVARE QUESTE ISTRUZIONI:**

1. Non coprire o bloccare le aperture di ventilazione. Quando si posiziona il dispositivo su uno scaffale, lasciare uno spazio libero di 5 cm (2") attorno all'intero perimetro.
2. Installare secondo quanto riportato nel manuale fornito.
3. Tenere il dispositivo lontano da sorgenti termiche come radiatori, termosifoni, stufe, candele e altri prodotti che generano calore o fiamme libere. L'apparecchio può essere utilizzato solo in condizioni di clima moderato. Evitare ambienti estremamente freddi o caldi. Temperatura di funzionamento tra 0 °C e 35 °C.
4. Evitare l'uso del dispositivo in presenza di forti campi magnetici.
5. Le scariche elettrostatiche possono interferire con il normale utilizzo di questo dispositivo. In tal caso, è sufficiente ripristinare e riavviare il dispositivo seguendo il manuale di istruzioni. Durante la trasmissione di file, maneggiarlo con cura e operare in un ambiente privo di elettricità statica.
6. Avvertenza! Non inserire mai oggetti nel prodotto attraverso le prese d'aria o le aperture. All'interno del prodotto sono presenti tensioni elevate e l'inserimento di un oggetto può provocare scariche elettriche e/o cortocircuiti. Per lo stesso motivo, non versare acqua o liquidi sul prodotto.
7. Non utilizzare in aree umide o bagnate, come ad esempio bagni, cucine con vapore o piscine.
8. L'apparecchio non deve essere esposto a gocciolamenti o schizzi. Assicurarsi che sopra o vicino all'apparecchio non venga collocato alcun oggetto contenente liquidi, come ad esempio vasi.
9. Non utilizzare questo dispositivo in caso di condensa. Quando l'unità viene utilizzata in un ambiente caldo e bagnato ed esposto all'umidità, potrebbero prodursi gocce d'acqua o condensa all'interno dell'unità e l'unità potrebbe non funzionare correttamente; lasciare l'unità spenta per 1 o 2 ore prima di accenderla nuovamente. L'unità deve essere asciutta prima del collegamento all'alimentazione.
10. Sebbene questo dispositivo sia stato fabbricato con la massima cura e controllato più volte prima di lasciare la fabbrica, è comunque possibile che si verifichino problemi come per qualsiasi altra apparecchiatura elettrica. Se si nota fumo, eccessivo accumulo di calore o altri fenomeni imprevisti, scollegare immediatamente la spina dalla rete di alimentazione.
11. Questo dispositivo deve funzionare con una fonte di alimentazione corrispondente ai valori indicati sull'etichetta delle specifiche. Se non si è sicuri del tipo di alimentazione di rete domestica, consultare il rivenditore o la compagnia elettrica locale.
12. Tenere lontano dai roditori. I roditori amano mordere i cavi di alimentazione.
13. Per pulire il dispositivo, utilizzare un panno morbido e asciutto. Non usare solventi o liquidi a base di benzina. Per rimuovere le macchie persistenti, è possibile utilizzare un panno umido con detergente diluito.
14. Il fornitore non è responsabile per danni o perdita di dati causati da malfunzionamento, uso improprio, modifica del dispositivo o sostituzione della batteria.
15. Non interrompere la connessione durante la formattazione del dispositivo o il trasferimento di file. In caso contrario, i dati potrebbero essere compromessi o andare persi.
16. Se l'unità dispone della funzione di riproduzione USB, la chiavetta USB deve essere collegata direttamente all'unità. Non utilizzare una prolunga USB perché può causare interferenze con conseguenti anomalie dei dati.
17. L'etichetta dei dati è riportata sul pannello inferiore o posteriore dell'apparecchio.
18. Questo dispositivo non è destinato all'uso da parte di persone (compresi i bambini) con disabilità fisiche, sensoriali o mentali, o mancanti di esperienza e conoscenza, a meno che non siano sotto la supervisione o abbiano ricevuto istruzioni circa l'uso corretto del dispositivo da parte di chi è responsabile per la loro sicurezza.
19. Questo prodotto è destinato esclusivamente a un uso non professionale e non può essere utilizzato per scopi commerciali o industriali.
20. Assicurarsi che l'unità sia collocata in una posizione stabile. I danni causati dall'uso di questo prodotto in una posizione instabile, da vibrazioni o urti o dalla mancata osservanza di qualsiasi altro avvertimento o precauzione indicati nel manuale dell'utente non saranno coperti da garanzia.

21. Non rimuovere mai l'involucro dell'apparecchio.
22. Non posizionare mai l'apparecchio su altre apparecchiature elettriche.
23. Tenere i sacchetti di plastica fuori dalla portata dei bambini.
24. Utilizzare solo collegamenti/accessori specificati dal produttore.
25. Rivolgersi a personale qualificato per l'assistenza. La manutenzione è necessaria quando l'apparecchio è stato danneggiato in qualsiasi modo, ad esempio se il cavo o la presa di alimentazione sono deteriorati, se è stato versato un liquido o sono caduti degli oggetti all'interno dell'apparecchio, se l'apparecchio è stato esposto a pioggia o umidità, non funziona normalmente o è caduto.
26. L'esposizione prolungata a suoni forti provenienti da lettori musicali personali può causare la perdita dell'udito temporanea o permanente.
27. Se il prodotto viene fornito con un cavo di alimentazione o un alimentatore CA:
 - In caso di problemi, scollegare la scheda di alimentazione CA e rivolgersi a personale qualificato.
 - Per disattivare completamente l'alimentazione, la presa di rete dell'apparecchio deve essere scollegata dalla rete elettrica: il dispositivo di sezionamento è la stessa presa di alimentazione dell'apparecchio.
 - Non calpestare o schiacciare l'alimentatore. Fare molta attenzione, in particolare vicino alle prese e al punto di uscita del cavo. Non posizionare oggetti pesanti sull'alimentatore in quanto potrebbero danneggiarlo. Tenere il dispositivo fuori dalla portata dei bambini. Giocando con il cavo di alimentazione possono ferirsi gravemente.
 - Scollegare il dispositivo durante i temporali o se non viene utilizzato per un lungo periodo.
 - La presa di corrente deve essere installata vicino all'apparecchio e deve essere facilmente accessibile.
 - Non sovraccaricare le prese CA, né le prolunghe. Il sovraccarico può causare incendi o scariche elettriche.
 - I dispositivi di classe 1 devono essere collegati a una presa di rete con connessione di messa a terra di protezione.
 - I dispositivi di classe 2 non richiedono una connessione a terra.
 - Afferrare sempre la spina quando la si estrae dalla presa di rete. Non tirare il cavo di alimentazione.
Ciò può causare un cortocircuito.
 - Non utilizzare un cavo o una spina di alimentazione danneggiati o una presa non stabile. Ciò può provocare incendi o scariche elettriche.
28. Se il prodotto contiene o viene consegnato con un telecomando contenente batterie a bottone: Avvertenza:
 - "Non ingerire la batteria, pericolo di ustioni chimiche" o equivalente.
 - [Il telecomando fornito in dotazione con] il presente prodotto contiene una batteria a bottone che, se ingerita, può causare gravi ustioni interne in sole 2 ore e portare alla morte.
 - Tenere le batterie, nuove o usate, fuori dalla portata dei bambini.
 - Se il vano batteria non si chiude completamente, interrompere l'uso del dispositivo e tenerlo fuori della portata dei bambini.
 - Se si teme che le batterie possano essere state ingerite o essere venute a contatto con qualsiasi parte interna del corpo, contattare immediatamente un medico.
29. Precauzioni d'uso delle batterie:
 - Pericolo di esplosione se la batteria viene sostituita in modo errato. Sostituire solo con batterie dello stesso tipo o equivalenti.
 - Non sottoporre le batterie a temperature estreme alte o basse o a bassa pressione dell'aria ad alta quota durante l'uso, lo stoccaggio o il trasporto.
 - La sostituzione di una batteria con una di tipo non corretto può provocare un'esplosione o la fuoriuscita di liquido o gas infiammabile.
 - Lo smaltimento di una batteria nel fuoco o in un forno caldo, o lo schiacciamento o il taglio meccanico di una batteria possono provocare un'esplosione.
 - Lasciare la batteria in un ambiente con una temperatura estremamente elevata può provocare un'esplosione o la fuoriuscita di liquido o gas infiammabile.
 - L'esposizione della batteria ad una pressione dell'aria estremamente bassa può causare un'esplosione o la fuoriuscita di liquidi o gas infiammabili.
 - È necessario prestare attenzione agli aspetti ambientali legati allo smaltimento delle batterie.

INSTALLAZIONE

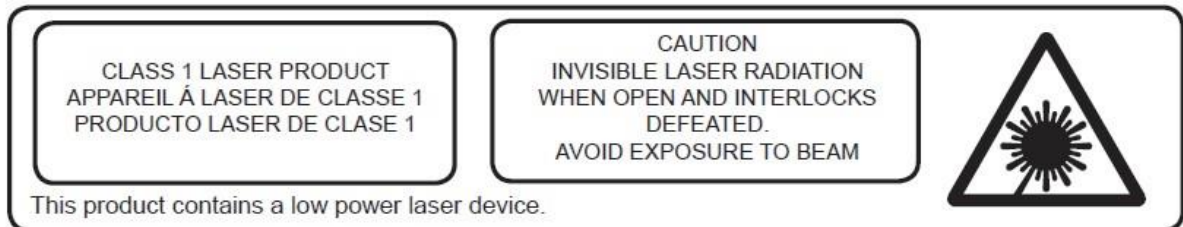
- Disimballare tutte le parti e rimuovere il materiale protettivo.

- Non collegare l'unità alla rete elettrica prima di avere controllato la tensione di rete e prima che siano stati effettuati tutti gli altri collegamenti.

Avvertenza per il lettore CD / DVD:

AVVERTENZA

Prodotto laser di classe 1



EN	IT
CLASS 1 LASER PRODUCT	PRODOTTO LASER DI CLASSE 1
CAUTION	PERICOLO
INVISIBLE LASER RADIATION WHEN OPEN AND INTERLOCKS DEFEATED.	RADIAZIONE LASER INVISIBILE QUANDO VIENE APERTO E GLI INTERBLOCCHI SONO DIFETTOSI.
AVOID EXPOSURE TO BEAM	EVITARE L'ESPOSIZIONE AL RAGGIO
This product contains a low power laser device.	Questo prodotto contiene un dispositivo laser a bassa potenza.

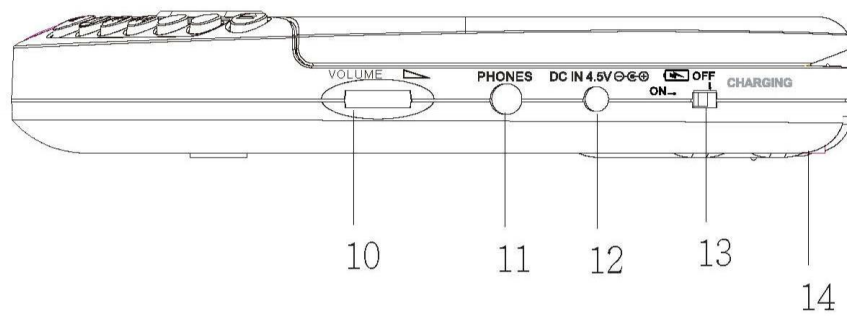
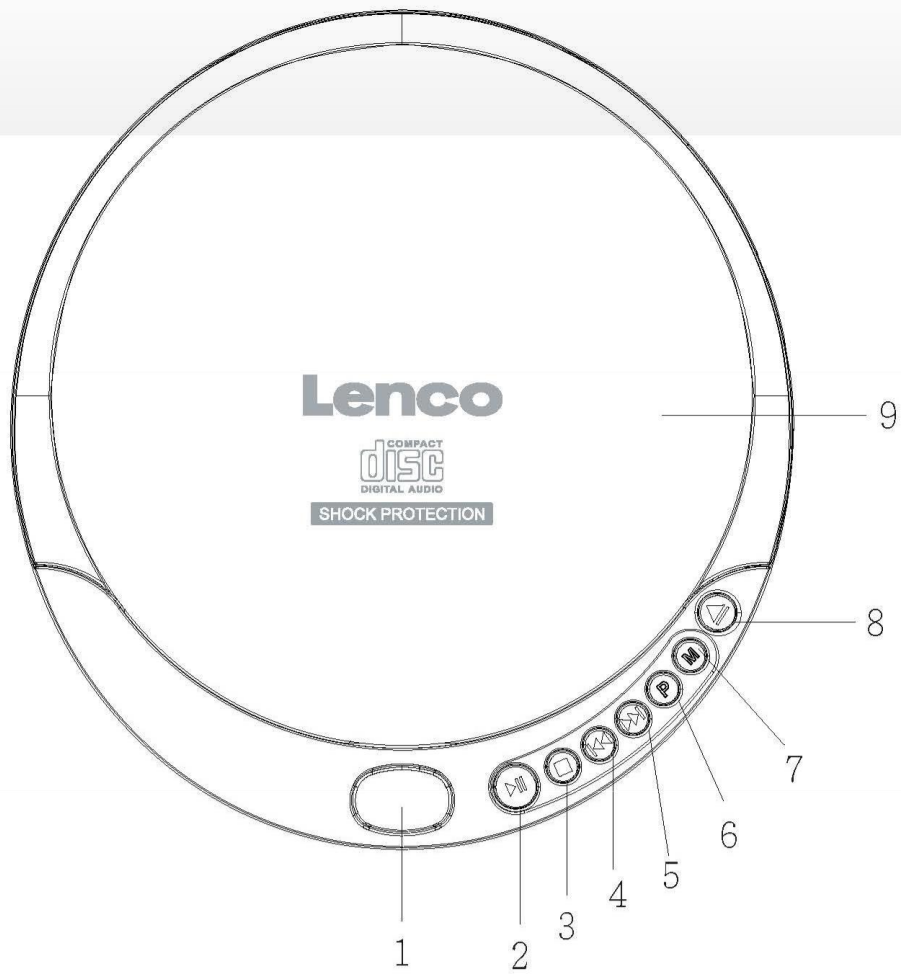
Avvertenza: Non toccare la lente.



AVVERTENZA: durante la guida, l'ascolto di un lettore musicale personale può rendere l'ascoltatore meno consapevole dei potenziali pericoli, come ad esempio l'avvicinamento delle auto.

AVVERTENZA: per prevenire possibili danni all'udito, evitare l'ascolto ad alto volume per periodi di tempo prolungati.

1. DESCRIZIONE DELL'UNITÀ



1. DISPLAY A CRISTALLI LIQUIDI
2. Pulsante RIPRODUZIONE/PAUSA
3. Pulsante INTERROMPI
4. Pulsante SALTA-/CERCA
5. Pulsante SALTA+/CERCA
6. Pulsante PROGRAMMAZIONE
7. Pulsante MODALITÀ
8. Pulsante APERTURA SPORTELLO
9. SPORTELLO CD
10. Pulsante VOLUME
11. JACK CUFFIE
12. JACK DI INGRESSO CC
13. INTERRUTTORE DI CARICA DELLA BATTERIA
14. VANO BATTERIE

ACCESSORI

1. Auricolari stereo
2. Cavo con connettore da USB a jack CC

2. Funzione

ACCENSIONE

Utilizzo di batterie normali (non incluse)

1. Aprire lo sportello del vano batterie, situato nel lato inferiore dell'unità, facendo scorrere lo sportello e sollevandolo verso l'alto. (Non rimuovere lo sportello delle batterie).
2. Inserire due batterie alcaline di tipo AA/UM-3 da 1,5 V, rispettando la polarità corretta indicata all'interno del vano batterie.
3. Chiudere lo sportello del vano batterie.
4. Assicurarsi che l'interruttore di carica della batteria (13) laterale si trovi in posizione OFF. EVITARE IN QUALSIASI CASO DI UTILIZZARE LE BATTERIE NORMALI CON L'INTERRUTTORE DI CARICA IN POSIZIONE ON!

Utilizzo tramite alimentatore CA/CC o USB (non incluso)

1. Inserire il connettore CC nell'estremità del cavo dell'alimentatore CA/CC o collegare il cavo da USB a jack all'alimentatore USB, nella presa DC 4.5 V INPUT (12) situata sul lato dell'unità.
2. Collegare l'alimentatore CA/CC o USB a una presa di corrente 100-240 V ~ 50/60 Hz.

Nota:

Se l'alimentatore CA/CC o USB viene collegato quando sono inserite le batterie normali, l'alimentazione viene fornita automaticamente dalla fonte di alimentazione CA.

Se si desidera utilizzare l'alimentatore CA/CC, utilizzare esclusivamente un modello da 4,5 V rispettando la polarità corretta.

Assicurarsi che l'alimentatore CA/CC o USB corrisponda alla tensione domestica prima di collegarlo alla presa a parete.

In caso di non utilizzo dell'alimentazione CA, scollegare l'alimentatore CA/CC o USB dalla presa a parete. Evitare di toccare l'alimentatore CA/CC o USB con le mani bagnate.

Utilizzo di batterie ricaricabili (non incluse)

1. Scollegare l'alimentatore CA/CC o USB dalla presa a parete nel caso in cui sia collegato all'unità.
2. Aprire lo sportello del vano batterie come indicato in precedenza.
3. Inserire 2 batterie ricaricabili, rispettando la polarità corretta come indicato all'interno del vano batterie.
4. Chiudere lo sportello del vano batterie.
5. Portare l'INTERRUTTORE DI CARICA DELLA BATTERIA (13) in posizione ON per avviare la ricarica.
6. Dopo 15 ore di carica, portare l'INTERRUTTORE DI CARICA DELLA BATTERIA (13) in posizione OFF.

Indicazione del tempo di riproduzione delle batterie ricaricabili completamente cariche

- 2 batterie da 700 mAh garantiscono un tempo di riproduzione di 3-4 ore.

- 2 batterie da 2800 mAh garantiscono un tempo di riproduzione di 12-14 ore.

Attenzione:

NON utilizzare le batterie ricaricabili insieme a quelle normali.

EVITARE di caricare ininterrottamente per 24 ore o più, in quanto ciò potrebbe compromettere le prestazioni delle batterie ricaricabili.

NON ricaricare le batterie normali (non ricaricabili). Vi è il rischio di esplosione! Nota:

In caso di ricarica delle batterie ricaricabili per la prima volta, saranno necessarie circa 15 ore per il completamento del processo di ricarica. Nel caso in cui il tempo di funzionamento diminuisca drasticamente anche nel caso in cui le batterie ricaricabili siano state ricaricate correttamente, acquistare un nuovo set di batterie ricaricabili.

AURICOLARI

Collegare gli auricolari stereo (inclusi) al connettore jack Phones (11).

RIPRODUZIONE DI CD/MP3

1. Collegare gli auricolari (inclusi) o delle cuffie opzionali al connettore jack Phones.
2. Premere il pulsante di apertura dello sportello (8) per aprire lo sportello del vano CD.
3. Inserire un disco in modo che il lato con l'etichetta sia rivolto verso l'alto.
4. Chiudere lo sportello del vano CD fino a udire lo scatto in posizione.
5. Impostare la manopola di regolazione del VOLUME (10) al minimo.
6. Premere il pulsante RIPRODUCI/PAUSA (2), l'unità si accenderà automaticamente e visualizzerà il numero di traccia e il tempo di riproduzione del CD. Il numero complessivo di cartelle e di tracce del CD MP3 verrà visualizzato sul display: la riproduzione viene avviata. Durante la riproduzione, la traccia corrente e il tempo trascorso vengono visualizzati. CD + MP3
7. Regolare la manopola di controllo del VOLUME al livello di ascolto desiderato.
8. Per interrompere la riproduzione temporaneamente, premere una volta il pulsante di RIPRODUZIONE/PAUSA (2). Il tempo trascorso lampeggia mentre il numero di traccia viene visualizzato sul display. Premere di nuovo il pulsante di RIPRODUCI/PAUSA per riprendere la riproduzione.
9. Per interrompere la riproduzione, premere una volta il pulsante INTERROMPI (3).
10. Per spegnere l'unità, premere due volte INTERROMPI (3).

Nota:

Nel caso in cui lo sportello CD venga aperto accidentalmente durante la riproduzione, "Open

(Aperto)” verrà visualizzato sul display. Attendere fino all’arresto completo del disco prima premere il pulsante APRI (8).

SELEZIONE DI UNA TRACCIA O DI UN PUNTO PARTICOLARE DELLA TRACCIA

1. Premere una volta il pulsante INDIETRO (4) per tornare all’inizio della traccia corrente.
2. Premere più volte il pulsante INDIETRO per tornare alle tracce precedenti.
3. Premere più volte il pulsante AVANTI (5) per passare alle tracce successive.
4. Premere e tenere premuto il pulsante AVANTI o INDIETRO per andare avanti o indietro rapidamente fino a un punto preciso della traccia. Durante tale operazione il livello dell’audio sarà basso per facilitare l’individuazione del punto corretto della traccia.

RIPETIZIONE DELLA RIPRODUZIONE

1. Premere il pulsante di RIPRODUZIONE/PAUSA (2).
2. Per ripetere la stessa traccia, premere una volta il pulsante MODALITÀ (7) durante la RIPRODUZIONE. “REP 1 (Ripetizione 1)” verrà visualizzato sul display. Il CD avvierà la ripetizione di una singola traccia fino alla pressione del pulsante INTERROMPI (3). Premere il pulsante MODALITÀ (7) 5 volte per annullare la riproduzione singola. L’indicatore “REP 1” scomparirà dal display.
3. Per ripetere l’intero ALBUM, premere due volte il pulsante MODALITÀ (7). “REP ALL (Ripeti tutto)” verrà visualizzato sul display. Premere il pulsante MODALITÀ (7) 3 volte per annullare la riproduzione dell’intero album. L’indicatore “REP ALL” scomparirà dal display.
4. Per ripetere l’intero disco MP3, premere il pulsante MODALITÀ (7) tre volte (6). “REP DIR (Ripetizione disco)” verrà visualizzato sul display. Premere il pulsante MODALITÀ (7) 3 volte per annullare la ripetizione dell’intero disco. L’indicatore “REP DIR” scomparirà dal display.

RIPRODUZIONE CASUALE

1. Premere il pulsante MODALITÀ (7) 4 volte per passare alla modalità casuale. “RND (Riproduzione casuale)” verrà visualizzato sul display, a questo punto il CD avvierà la riproduzione di tutte le tracce dell’intero album in ordine casuale.
2. Premere il pulsante SALTA per passare alla traccia successiva selezionata in modo casuale.
3. Premere il pulsante MODALITÀ (7) due volte per ritornare alla modalità di riproduzione normale.

RIPRODUZIONE INTRO

1. Premere il pulsante di RIPRODUZIONE/PAUSA (2).
2. Premere il pulsante MODALITÀ (7) 5 volte per passare alla modalità intro, "INTRO" verrà visualizzato sul display.
3. Premere RIPRODUZIONE, il CD avvierà la riproduzione dei primi 10 secondi di ogni traccia di tutti gli album presenti sul CD.
4. Premere ancora una volta il pulsante MODALITÀ (7) per annullare la riproduzione dell'intro e riprendere la riproduzione normale.
5. Lo spegnimento avverrà automaticamente dopo 60 secondi al termine della riproduzione di tutte le tracce.

PROGRAMMAZIONE DELLA RIPRODUZIONE

1. Premere il pulsante di RIPRODUZIONE/PAUSA (2) e dopo 8 secondi il pulsante INTERROMPI (3).
2. Premere il pulsante PROG (6), dopodiché sul display verrà visualizzato quanto segue: (001 P-01) e 001 lampeggiano.
3. Premere i pulsanti SALTA avanti e indietro (4,5) per selezionare la traccia che si desidera programmare e premere una volta il pulsante PROG (6) per confermare.
4. Ripetere il passaggio 3 per programmare fino a 20 tracce.
5. Premere una volta il pulsante di RIPRODUZIONE/PAUSA (2) per avviare la riproduzione programmata.
6. Per annullare la riproduzione programmata, premere due volte il pulsante INTERROMPI (3), se il pulsante INTERROMPI (3) viene premuto una volta, è possibile riavviare la riproduzione programmata entro 30 secondi. (Una volta interrotta la riproduzione della musica, l'unità passerà in modalità standby dopo **30 secondi** per risparmiare le batterie). Quando la riproduzione programmata viene attivata, "PROG" verrà visualizzato sul display LCD.

NOTA:

Durante la riproduzione del disco MP3, premere e rilasciare il pulsante PROG (6) per saltare in avanti di 10 tracce. Tenere premuto il pulsante per 0,5 secondi per riprodurre la prima traccia della cartella successiva nel caso in cui sul disco ve ne siano più di una. (La seguente funzione è attiva solamente durante la riproduzione di dischi MP3)

FUNZIONE DI RIPRESA AUTOMATICA

Attivando la funzione di ripresa automatica, è necessario premere due volte il pulsante INTERROMPI (3) e premere due volte il pulsante di riproduzione (2) per riprendere la riproduzione dal punto in cui è stata interrotta in precedenza.

Tenere presente che la funzione di ripresa automatica viene attivata solamente nel caso in cui il dispositivo sia collegato alla stessa fonte di alimentazione (Cavo CC o batterie).

Uso della funzione Riprendi

La funzione Riprendi ricorda la traccia interrotta e il punto in cui è stata interrotta. Quando si riavvia la riproduzione, il lettore riprende automaticamente dallo stesso punto in cui è stata arrestata.

1. Per utilizzare la funzione Riprendi, premere due volte il pulsante **Stop**. Il lettore si spegne. Per riprendere l'ascolto dal punto in cui è stato interrotto, premere una volta il pulsante RIPRODUZIONE/PAUSA ►||.

Se si preme il pulsante **Stop** una sola volta, il lettore si arresta, ma non si spegne. Se si preme il pulsante RIPRODUZIONE/PAUSA ►|| per riavviare la riproduzione, il lettore annulla la funzione Riprendi e avvia la riproduzione dal brano 01.

FUNZIONE ANTIURTO

Quando è in uso, il lettore è vulnerabile a urti e vibrazioni (ad es. quando ci si sposta a piedi o con un veicolo). Non appena il pulsante di RIPRODUZIONE/PAUSA viene premuto, la funzione antiurto viene attivata automaticamente per consentire l'interruzione della riproduzione. L'indicatore "ESP" sul display lampeggerà quando il dispositivo è in uso ad indicare che la "Protezione anti-salto elettronica" è attivata

Nel caso in cui il lettore subisca degli urti per oltre 40 secondi ininterrottamente durante la riproduzione di un CD o per 100 secondi durante la riproduzione MP3, l'audio verrà disattivato per pochi istanti per poi essere riattivato una volta ripristinata la stabilità del lettore dagli urti.

La funzione antiurto non potrà correggere eventuali errori dovuti all'uso di dischi difettosi, graffiati o sporchi.

RISPARMIO ENERGETICO

Se l'unità non riproduce alcun contenuto per circa 30 secondi, si spegnerà automaticamente.

3. Specifiche

LETTORE CD/MP3 PORTATILE	CD-200/CD-201
Riproduce dischi	CD audio e dischi MP3
Protezione antiurto	40 secondi = CD Audio, 100 secondi = dischi MP3
Connettore di uscita	Presa per cuffie da 3,5 mm
Tensione di rete	4,5 V
Batteria	2 di tipo AA da 3 V (non incluse)

1. Garanzia

Lenco offre assistenza e garanzia in conformità con la legge europea, il che significa che in caso di riparazioni (sia durante che dopo il periodo di garanzia) è necessario contattare il rivenditore locale.

Nota importante: Non è possibile inviare direttamente a Lenco i prodotti da riparare.

Nota importante: Qualora l'unità venga aperta o manomessa in qualsiasi modo da un

centro di assistenza non riconosciuto, la garanzia decadrà.

Questo dispositivo non è adatto per l'uso professionale. Qualora l'unità venga utilizzata per scopi professionali, tutti gli obblighi del produttore derivanti dalla garanzia saranno annullati.

2. Clausola di esclusione di responsabilità

Il firmware e/o i componenti hardware vengono aggiornati regolarmente. Pertanto, è possibile che alcune parti relative a istruzioni, specifiche e immagini contenute nella presente documentazione siano diverse da quanto riscontrato nel singolo caso. Tutte le descrizioni incluse in questa guida sono fornite a puro titolo illustrativo e non si applicano necessariamente alla specifica situazione. Nessun diritto legale o contrattuale può derivare dalle descrizioni contenute nel presente manuale.

3. Smaltimento al termine della vita utile del dispositivo



Questo simbolo indica che in Europa è vietato gettare il relativo prodotto elettrico o la batteria tra i rifiuti domestici. Per il corretto smaltimento al termine della vita utile del prodotto e della batteria, attenersi alle normative locali vigenti in materia di trattamento dei rifiuti da apparecchiature elettriche ed elettroniche e delle batterie. In tal modo si contribuisce a salvaguardare le risorse naturali e a migliorare gli standard per la protezione dell'ambiente nell'ambito del trattamento dei rifiuti da apparecchiature elettriche ed elettroniche (Direttiva RAEE).

4. Marchio CE

Con la presente, Commaxx B.V. Wiebachstraat 37, 6466 NG Kerkrade, Paesi Bassi, dichiara che questo prodotto è conforme ai requisiti essenziali della Direttiva Europea applicabile.

La dichiarazione di conformità può essere richiesta inviando una e-mail a techdoc@commaxxgroup.com



5. Assistenza

Per ulteriori informazioni e accesso all'helpdesk, visitare il sito www.lenco.com Lenco Commaxx B.V. Wiebachstraat 37, 6466 NG Kerkrade, Paesi Bassi.