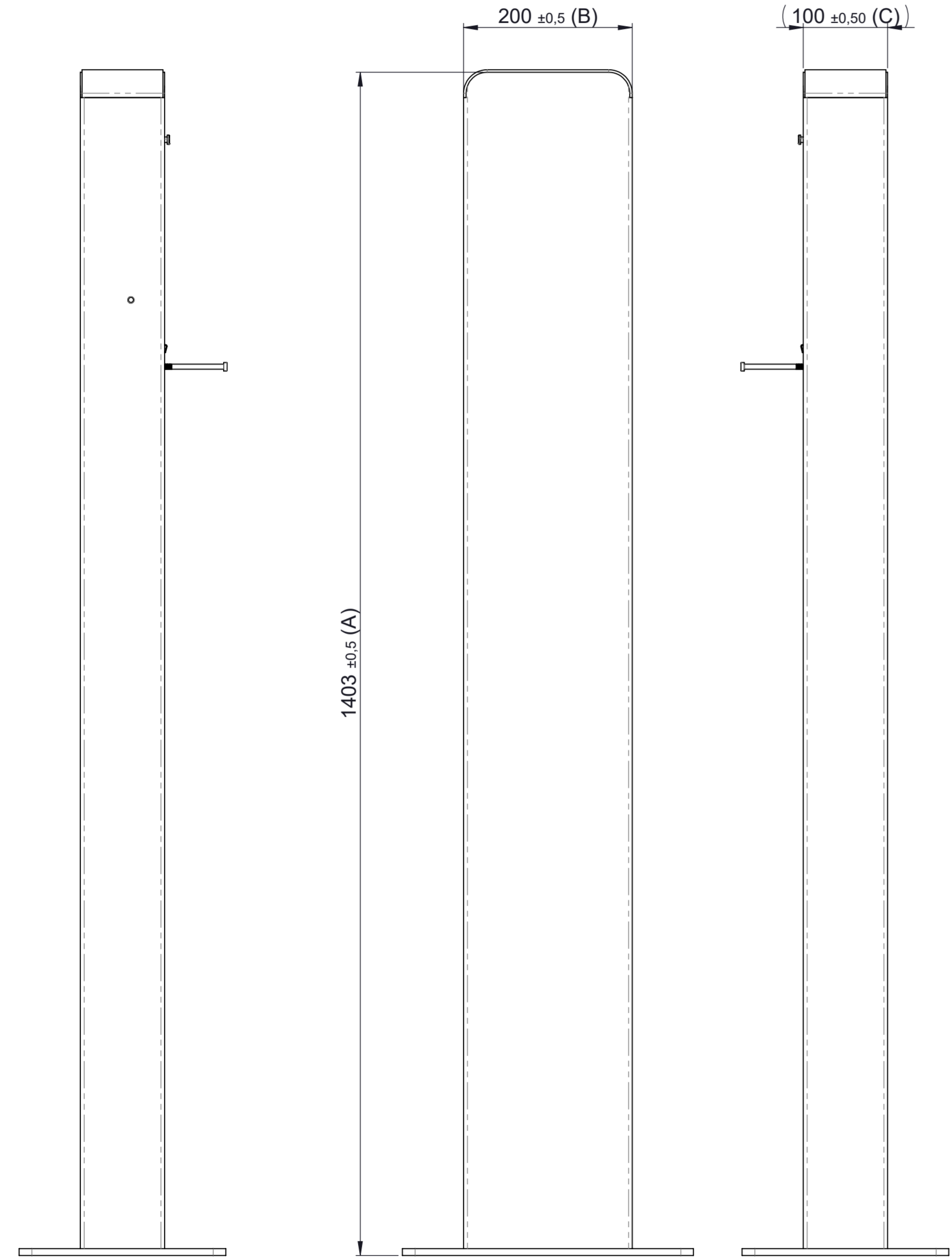
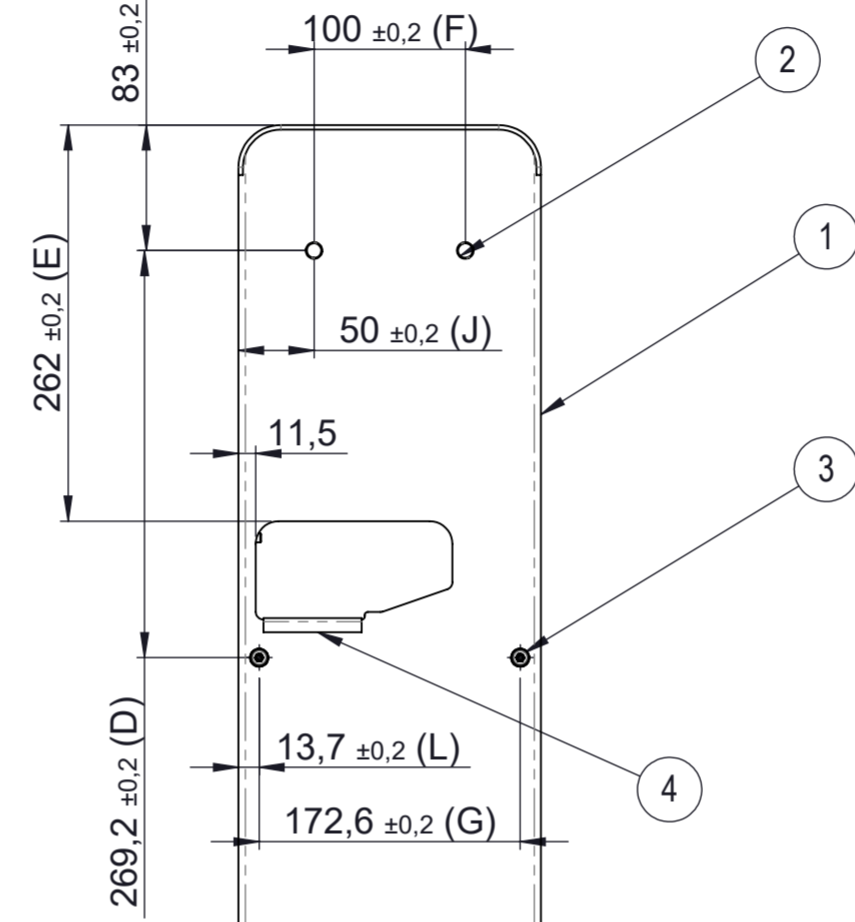
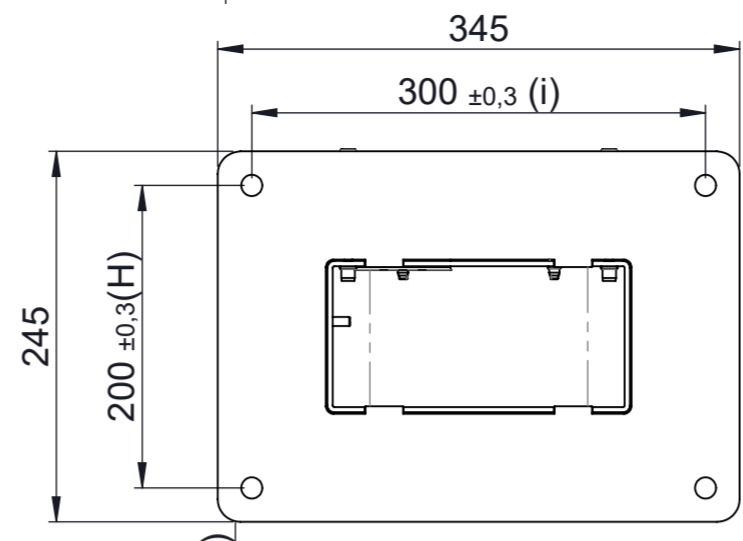
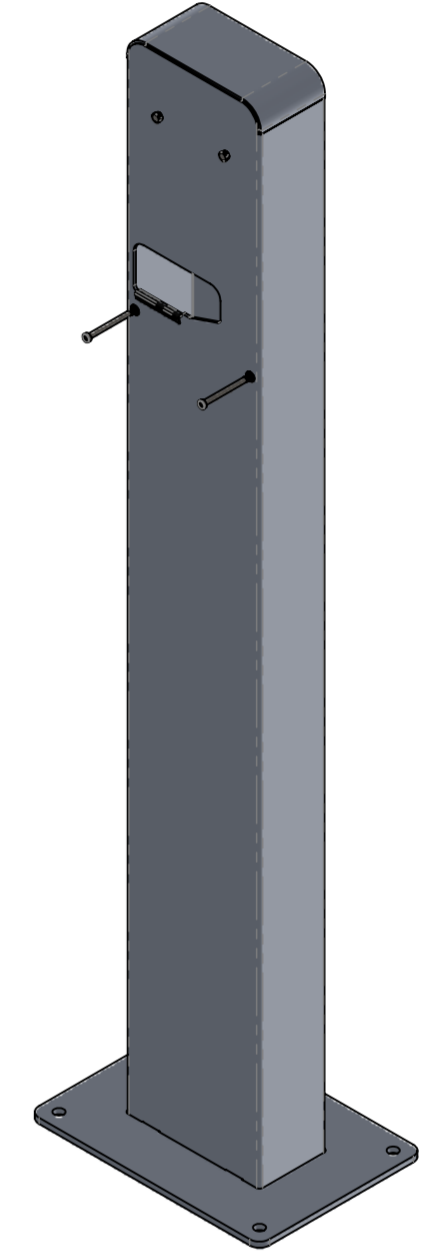


1. Product must meet cosmetic standard requirements(Category A,B or C) specified in ABB Cosmetic standards procedure C02-QAM-001-2.
2. Supplier's inspection must complies FAI procedure C04-QAM-002-2.
3. Dimensions specified in oval are critical to function and require inspection. Dimensional Quality shall be CPK1,33 MIN. Provide report for minimum 33pcs batch.
4. Part(s) shall be adequately packaged to prevent damage in shipment and handling in cell type separators,protective wrapped as required.
5. ---Noted surfaces to be free of all scratches,ejector marks and shrink marks.

Drawing is for notes and CTF dimension only,Refer to individual CAD file for 3-D geometry.

ITEM NO.	QTY.	PART NUMBER	DESCRIPTION
1	1	XAB.V3Y11.0	WELDMENT METAL PEDESTAL SIMPLE
2	2	XFN.V3Y04.0	SCREW; FLAT HEADED DIN 923 M5X4(x12) Stainless steel
3	2	XFB.00002	SCREW; HEX. SOCKET HEAD M6X90 A2-70, DIN 6912
4	1	edges protection	EDGES PROTECTION

NOTE:
Item 2, 3 and 4 separate in bag in box



0	AB	UPDATE MODEL AND BOM	R.BRUINING	04/03/21	C101355
0	AA	INITIAL RELEASE	R.BRUINING	15/09/20	C94152
Version	Revision	Description	Designer	Date	ECO
All material used, and finished product, must meet the requirements of the current RoHS directive of the European Union.					
Dimension with general tolerance according to ISO 2768					
Precision	0.5-3	3-6	6-30	30-120	120-400
Fine	±0.05	±0.05	±0.1	±0.15	±0.2
X Medium	±0.1	±0.1	±0.2	±0.3	±0.5
Coarse	±0.2	±0.3	±0.5	±0.8	±1.2
Material	SEE NOTE	Treatment	SEE NOTE	Weight (Kg)	9.18
Title			Issued	R.BRUINING	
ASSY MECH PEDESTAL SIMPLE VERSION			Modified		
			Mech.Eng. approved	SEMBOLONI A.	
			Elec.Eng. approved		
			Mfg. approved		
Size		Scale	Unit (mm)	Sheet	Revision
A2		1:5	1/1	XEB.3Y02.ODG	AB