

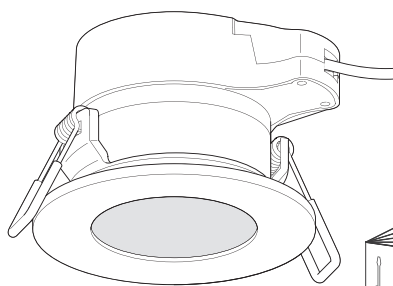
# PHILIPS

## ClearAccent

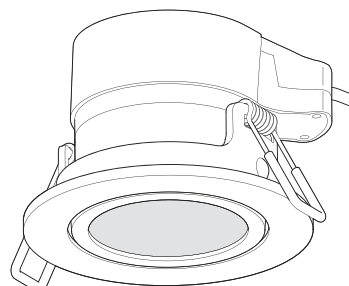
RS060B - RS061B



Fixed



Adjustable



220V~  
240V

50Hz/  
60Hz



IP20

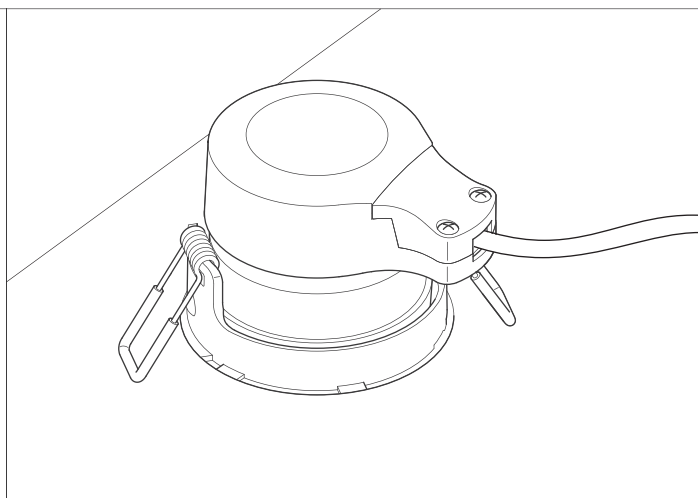
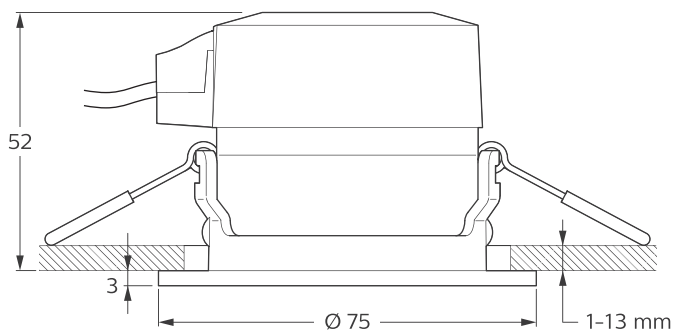


Loop in  
Loop out

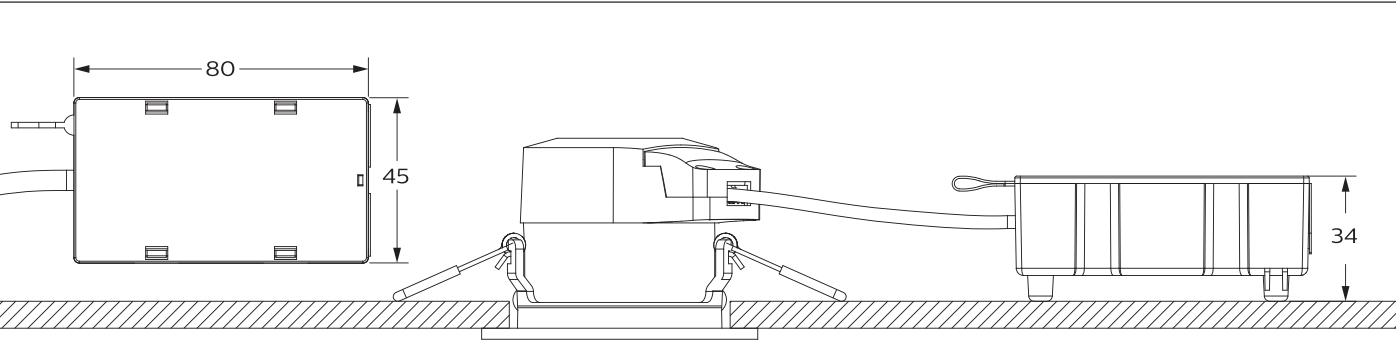
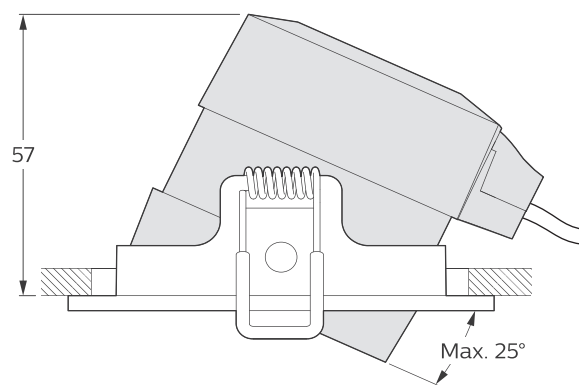
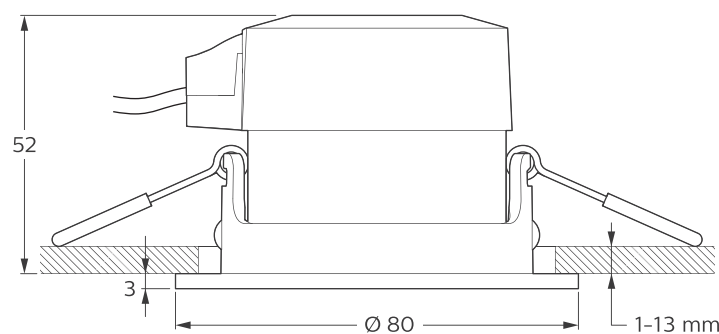


	LEDs	Output (lm)	P (W)	A (mA)	Ø mm	kg
RS060B LED5 LILO fixed	1x LED	500	6	26	68	0.16
RS061B LED5 LILO adjustable						0.17

Fixed

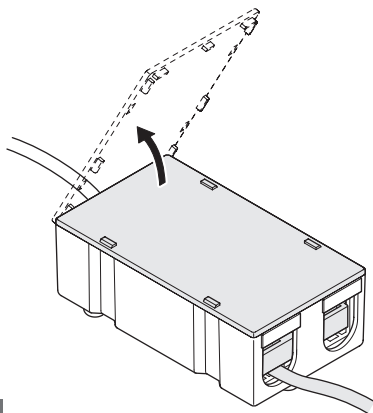


Adjustable

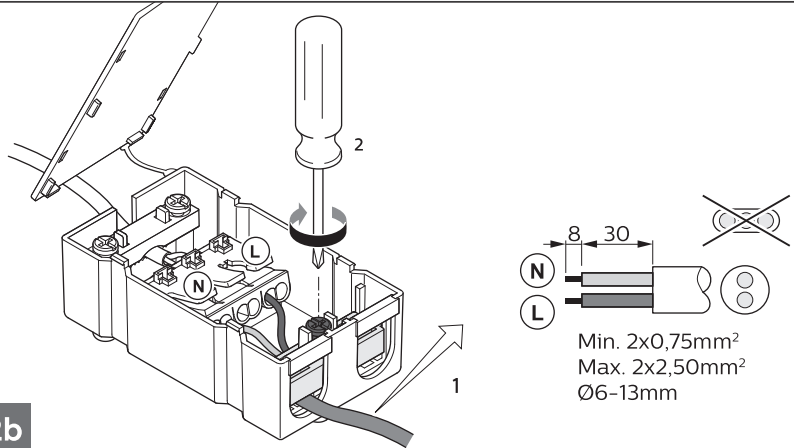




1

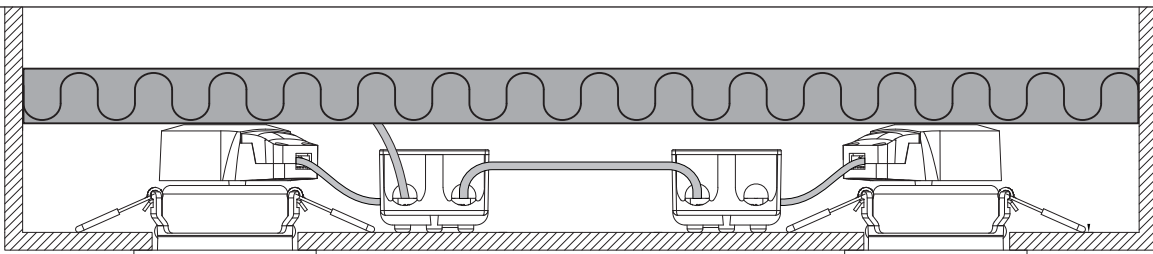
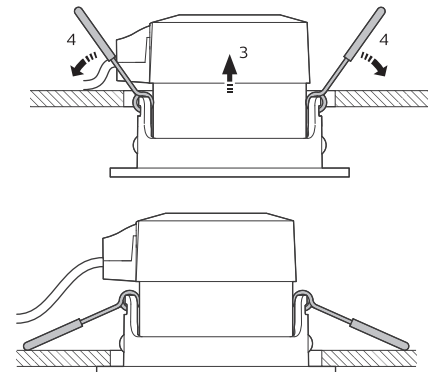
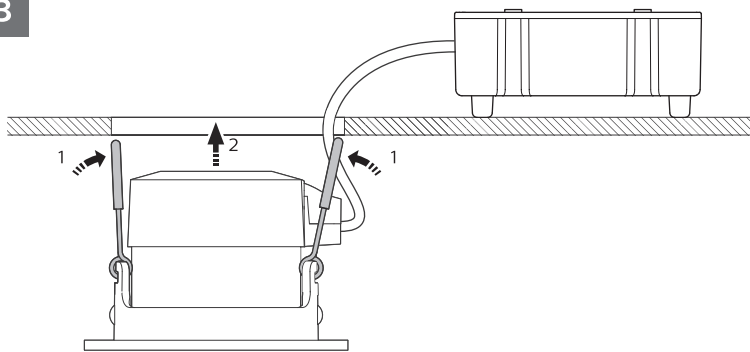


2a



2b

3



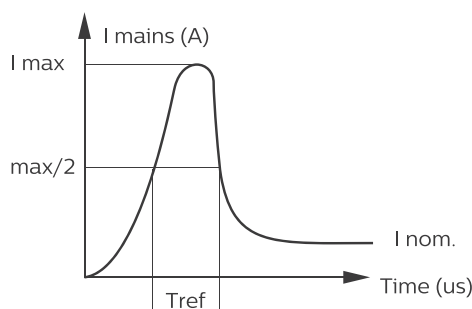
**Recommended Max. number of inter-connected**

Power	Max. number of inter-connected
6W	75

**Recommended Dimmer List**

Luminaire Power	Brand	Model	Max. fitting per dimmer
6W	Busch-Jaeger	6523U	17
	RELCO	RP0977	10
	RELCO	RM0545	20
	Legrand	067084	12
	Legrand	067085	10
	Gira	2390 00 / 100	17
	Jung	1271LEDDE	17
	MK	K1501 WHILV	17
	Vimar	20148	17
	Dynalite	DDLE801	17
	Dynalite	DDMC-GRMSPLUS	15

**Inrush current**



Electrical characteristics	
I <sub>max</sub> (A)	2/1.6
T <sub>ref</sub> (μs)	82/60
MCB	Downlights Max.
B-10 A	48
B-16 A	48
C-10 A	48
C-16 A	48

The light source of this luminaire is not replaceable; when the light source reached its end of life the whole luminaire shall be replaced.

