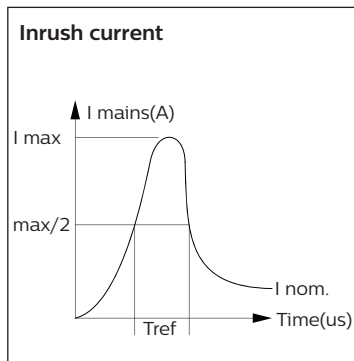
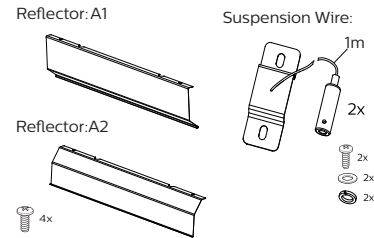


Installation Mode	12NC	Description
1 Suspension	911401776802	BN126Z SC
2 surface or suspension	911401776822	BN126Z REF A1 L1200
3 surface or suspension	911401776832	BN126Z REF A1 L1500
4 surface or suspension	911401776862	BN126Z REF A2 L1200
5 surface or suspension	911401776872	BN126Z REF A2 L1500

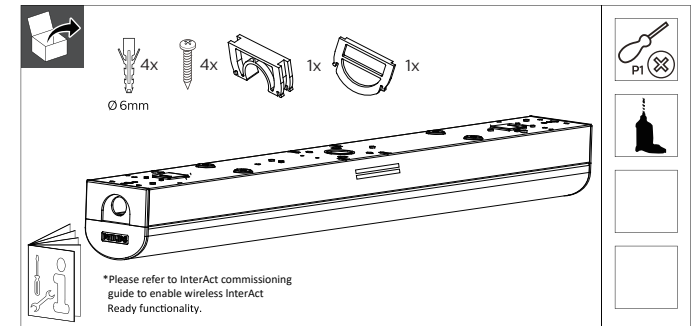
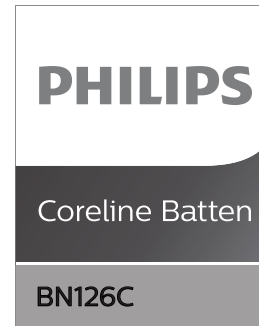


	L1200		L1500
	LED41S IA1	LED64S IA1	LED52S IA1
Electrical characteristics			
Inom (mA)	140	210	175
Imax (A)	22	22	22
Tref (µs)	270	270	270
MCB Luminaire Max.			
B-10 A	12	12	12
B-16 A	20	20	20
C-10 A	20	20	20
C-16 A	34	34	34

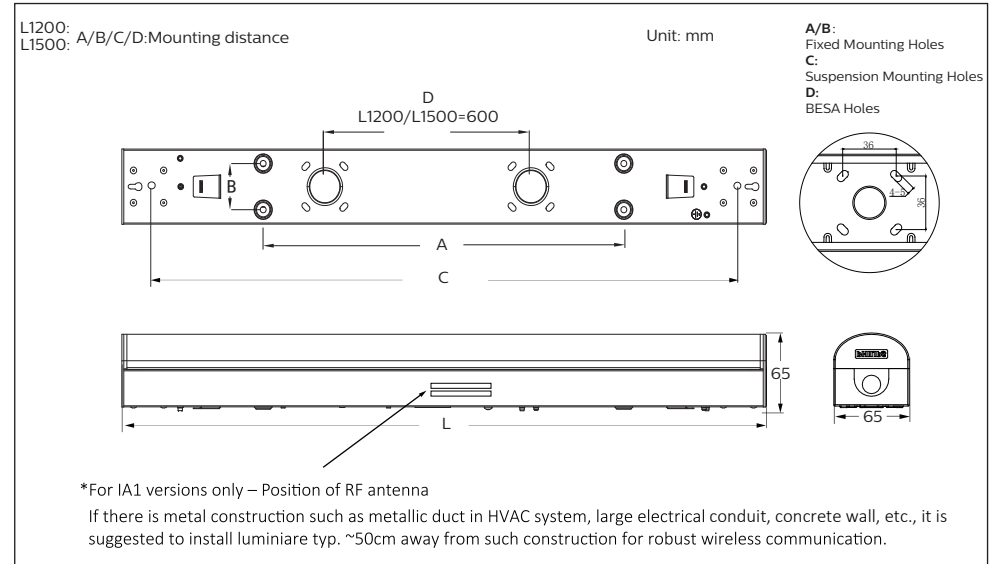
© 2019 Signify Holding.
All rights reserved. This document contains information relating to the product portfolio of Signify which information may be subject to change. No representation or warranty as to the accuracy or completeness of the information included herein is given and any liability for any action in reliance thereon is disclaimed. The information presented in this document is not intended as any commercial offer and does not form part of any quotation or contract. Philips and the Philips Shield Emblem are registered trademarks of Koninklijke Philips N.V.. All other trademarks are owned by Signify Holding or their respective owners.



Signify Holding.
The Netherlands



	P (W)	A (mm)	B (mm)	C (mm)	L (mm)	kg
BN126C LED41S/840 IA1 TW1 L1200	31	960	40	1073	1135	1.45
BN126C LED64S/840 IA1 TW1 L1200	47	960	40	1073	1135	1.45
BN126C LED52S/840 IA1 TW1 L1500	39	972	40	1073	1450	1.73



1x 2x Max.number of connected luminaire 10x

or

! -The luminaire shall be installed by a qualified electrician and wired in accordance with the latest IEE electrical regulations or the national requirements.
 - LED board & led driver are not serviceable and not replaceable.
 - The light source of this luminaire is not replaceable; when the light source reaches its end of life the whole luminaire shall be replaced.
 - Luminaire must not be used or stored in corrosive environment where hazardous materials such as sulphur, chlorine, phthalates, etc, are present.
 - This luminaire is not suitable for use as emergency lighting

ATTENTION
 OBSERVE PRECAUTIONS FOR HANDLING ELECTROSTATIC SENSITIVE DEVICES

1 **2.1:Surface Mounted** Ø5.5

2x 2x

2x 2x

0.5Nm

2.2:Suspend Mounted Ø5.5

2x 2x Optional 2x 2x

2.3:Mounted with BESA Ø5.5

BESA 4x

0.5Nm

3 :Wiring from end hole

35 8 20

L
N

H05RN-F
 Min. 3x1,0mm²
 Max. 3x2,5mm²
 Ø8-Ø12mm

0.4Nm

3.1:Wiring from back entry

4 **5**

1x 2x 3x

6 **7**

1x 2x 3x

The end face of the first luminaire and the last luminaire

0.4Nm