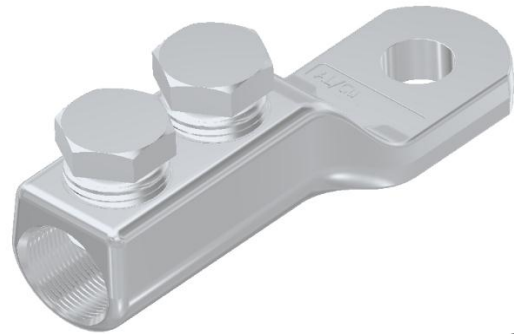


Product data

Product code	VB05-0003	STK-code	5201183	EAN-code	6410052011833
Product name	Shear bolt cable lug ROLA 95-185				
Wires	Al/Cu 95-185 mm ²				

Technical data

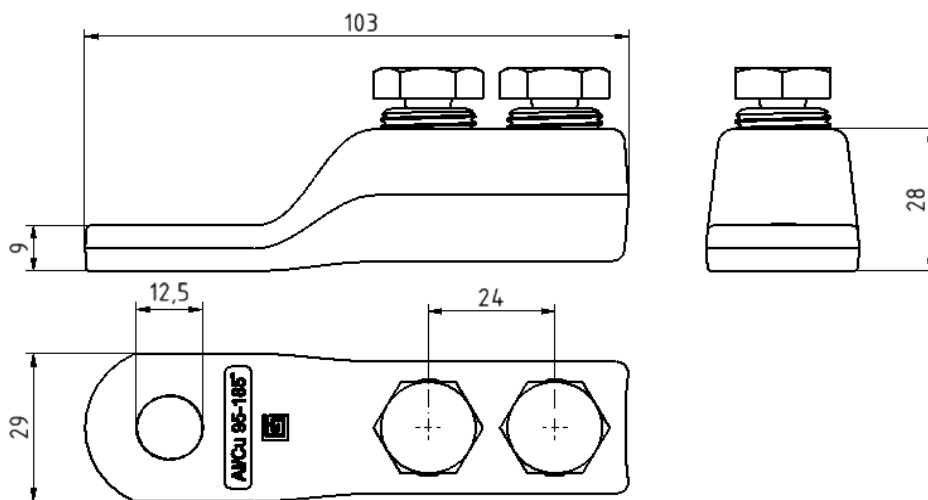
Nominal current	Cu	-	A
	Al	-	A
Nominal voltage		1000	V
Number of pole		1	pcs
Max. Cross section		185	mm ²
Tightening torque	95-185 mm ²	36-43	Nm
	-	-	
	-	-	
	-	-	
Max. Operating temperature		-	°C
Weight		163	g
IP-protection		-	
Standards	EN 61238-1:2003		
Color/ Coating	Sn		
Mounting/ Connection	Shear head screws M18x1,5 (2 pcs)		



Description

ROLA, Shear bolt cable lug are suitable for aluminium and copper conductors. Solid, stranded, sector shaped and circular conductors are allowed. The installation is made by shear head screws and torque tools are not needed.

Drawing



Package

Package	Bag	pcs/ package	3	Weight [Kg]	0,49
Length [mm]	-	Width [mm]	-	Height [mm]	-