

## The Ultra-Slim Keypad

### CT 1000

**The simple keypad.  
The unique keypad.  
The waterproof keypad.  
For any weather condition.  
Developed and produced in  
Denmark.**



#### Description

Art. No. 460100

#### Product

- Keypad - black (can be ordered as white)  
(It comes with 4 stainless steel screws and nylon wall plugs)

#### Size

- Reader: h x w x d = 130 x 50 x 8 mm.
- Mounting plate (optional): 130 x 50 x 2 mm.
- Framework (optional): 155 x 75 x 15 mm.

#### Power supply & outputs

- Voltage: 9-17 V DC, (30 mA consumption)
- Output 1 (yellow core): 500 mA (open collector)
- Output 2 (white core): 500 mA (open collector)
- External control buzzer, red and green LED
- External control for request to exit (REX)

#### Operating data

- Operating temperatures: -30°C to +80°C
- Humidity: 100%
- Rating: IP67

#### Cable (supplied)

- 2,5 m white, with 8 core.

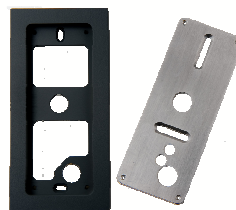
#### Accessories

- Mounting plate: stainless steel.
- Framework: Anthracite grey, white or silver.
- Changeable front labels.

The ultra-slim CT 1000, 28 user, keypad allows for simple installation and configuration into virtually any application. The CT 1000 incorporates dual outputs and advanced functionality by allowing from 4 to 8 digit codes to control a pulsed output and an 8 digit code to latch the respective output. The extremely high IP (67) rating enables the CT 1000 to be mounted in exposed external environments. The clearly marked keypad is durable, wipe clean and incorporates LED indicator to assist the user.

Manufactured to the highest standard and offering reliable operation, the CT 1000 is comfortable with the entire Conlan range of locking devices via our supplementary relays and ancillary power supply units.

The optional framework or mounting plate is ideal for surface wired applications.

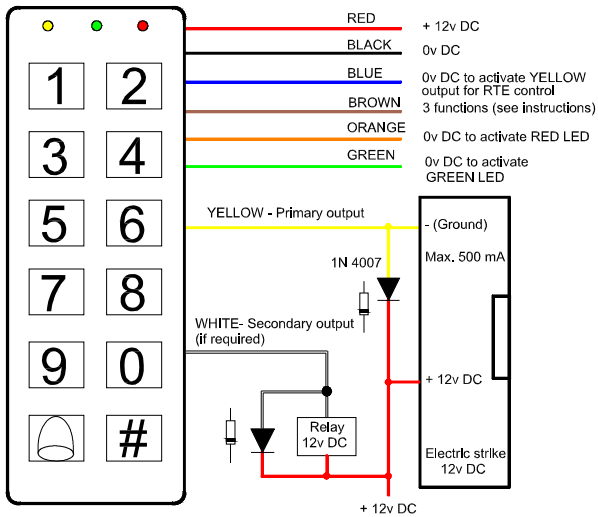


Changeable front labels are available. Examples:



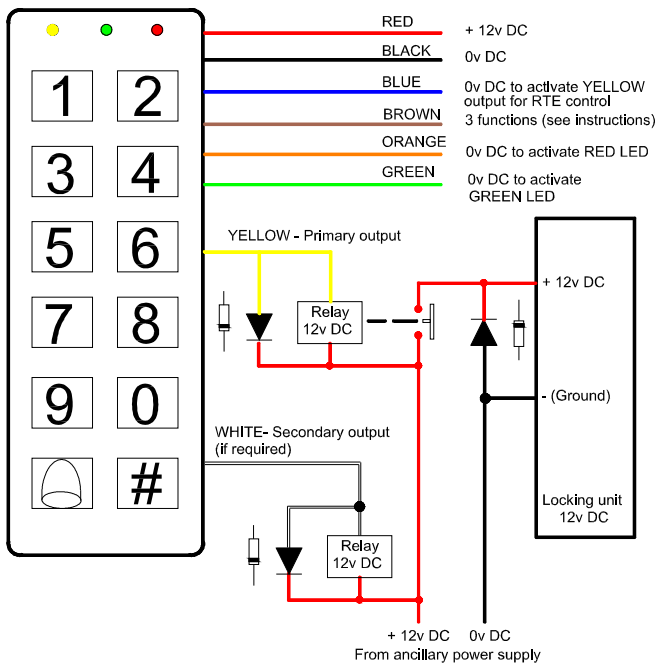
## CT1000 - TECHNICAL DETAILS

### Direct connection



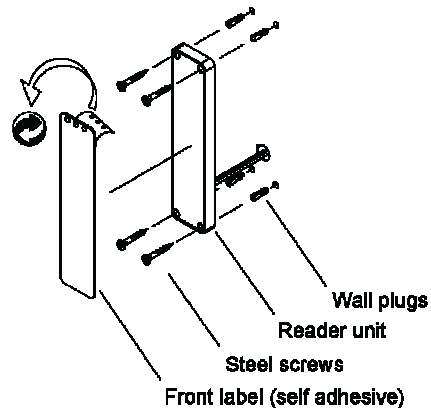
Electric strike, supplementary relay and additional diode shown in the above circuit diagram are for illustrative purposes only and are not included with the CT 1000. Please order separately.

### Indirect connection

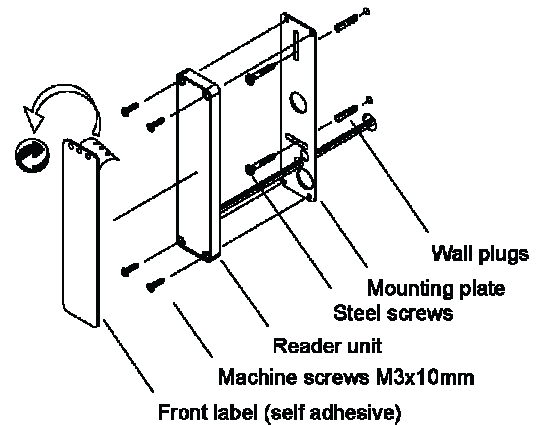


Locking unit, supplementary relays and additional diodes shown in the above circuit diagram are for illustrative purposes only and are not included with the CT1000. Please order separately.

### Standard installation



### Installation with optional mounting plate



### Installation with optional framework

