

Angled SIJ Outlet Datasheet

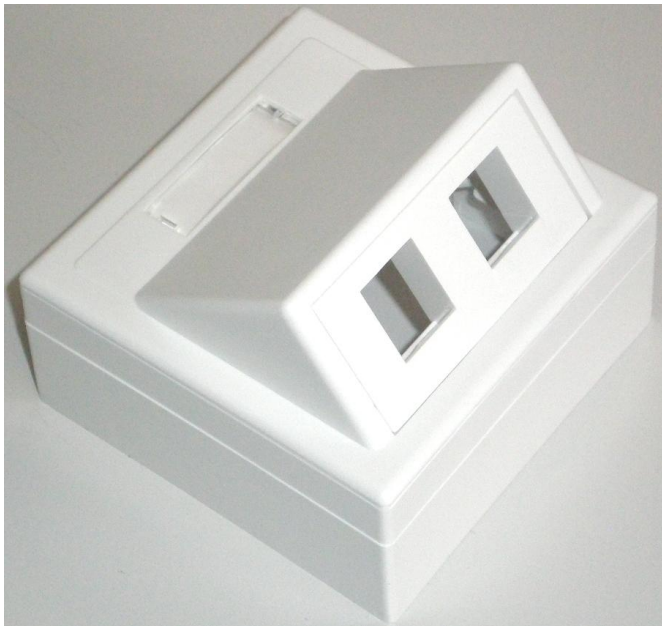
head office

brand-rex limited
viewfield industrial estate
glenrothes, fife
KY6 2RS

tel: +44 (0) 1592 772124
fax: +44 (0) 1592 775315
web: www.brand-rex.com



Brand-Rex



Features and Benefits

- ◆ **Surface mountable with a 25mm backbox with a multiple cable entry feature.**
- ◆ **38° Angled patchcord exit.**
- ◆ **Suitable for ALL Brand-Rex "Keystone" Snap In Jacks**
- ◆ **Label & label protection window**
- ◆ **RAL9010 White ABS**

Description

The Brand-Rex 85x85mm angled outlet has been designed to be compatible with all Brand Rex "Keystone" Snap in Jacks & provide the option for both trunking & if required, surface mounting direct to the wall.

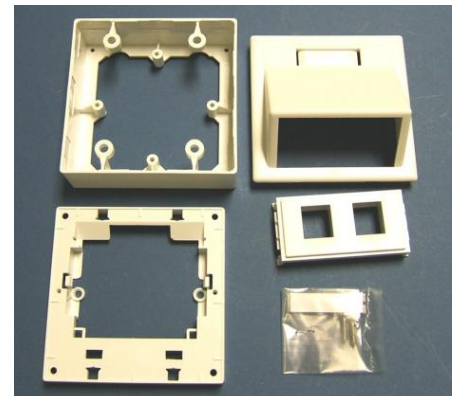
Part Number

| Part No | EAN no | Description |
|------------|---------------|--|
| E51 003 75 | 5050268210715 | 85x85mm Förhöjningsbox VB43 2xKeystone |

Packaging

Parts kit is supplied in an individual bag. Kit contains the following:-

- Front faceplate with angled aperture
- Frontplate insert for 2 x Snap-In jacks
- Rear mounting plate
- 25mm surface mounted backbox
- label, clear label cover & 2 x self tapping screws



The information contained in this document is valid and correct at the time of issue. However, we reserve the right to modify details without notice in the light of subsequent Standard / Specification changes and ongoing technical developments

Angled SIJ Outlet Datasheet

head office

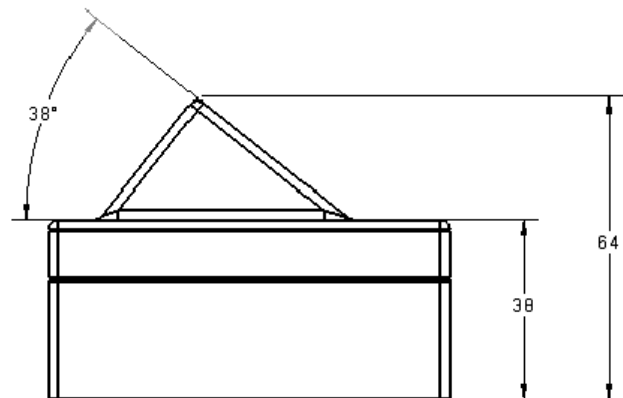
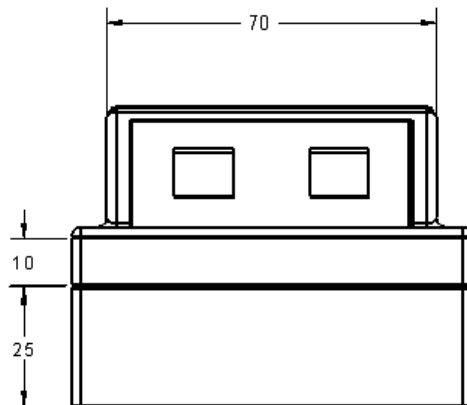
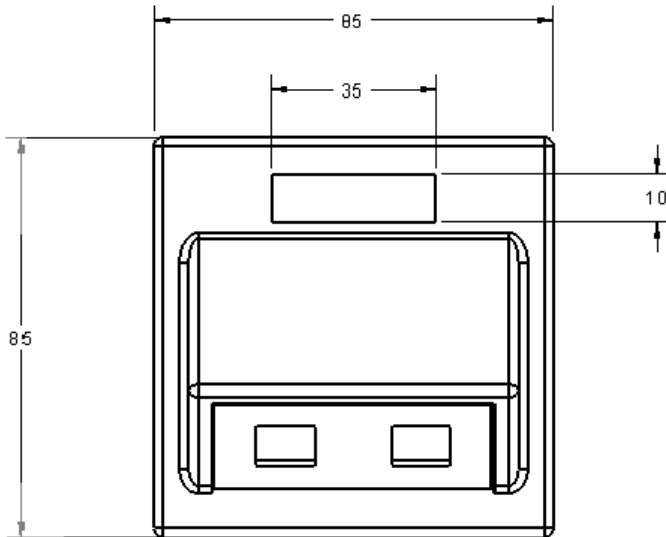
brand-rex limited
viewfield industrial estate
glenrothes, fife
KY6 2RS

tel: +44 (0) 1592 772124
fax: +44 (0) 1592 775315
web: www.brand-rex.com



Brand-Rex

Basic Dimensions



All Dimensions in MM

The information contained in this document is valid and correct at the time of issue. However, we reserve the right to modify details without notice in the light of subsequent Standard / Specification changes and ongoing technical developments