



MAIN CONTROL SWITCH 3-POLE IU=63,  
P/AC-23A AT 400V=22KW 1 N-TERMINAL + 1 PE-  
TERMINAL ENCAPSUL.IN M.P.ENCLOSURE,  
IP65 ROTARY ACTUATOR BLACK METRIC THREAD

Similar to image

**General technical details:**

<b>product brand name</b>		SETRON
<b>product designation</b>		main and EMERGENCY-OFF switches
<b>Type from device</b>		fixed mounting
<b>Design of the operating mechanism</b>		rotary actuator, black
<b>Protection class IP</b>		IP65
<b>Number of poles</b>		3
<b>Acceptability for application</b>		
• switch disconnecter		Yes
• main switch		Yes
• safety cut-out switch		Yes
• emergency stop switch		No
• maintenance/repair switch		Yes
<b>Product equipment / interlock</b>		Yes
<b>Type of the driving mechanism / motor drive</b>		No
<b>Product extension / optional</b>		
• motor drive		No
• voltage trigger		No
<b>Ambient temperature / during operating</b>	°C	-25 ... +55

Insulation voltage / rated value	V	690
Impulse voltage resistance / rated value	V	6,000
Active power loss / per conductor / typical	W	4.5
Mechanical operating cycles as operating time / of the main contacts / typical		100,000
Protection against electrical shock		finger-safe
Item designation / according to DIN EN 61346-2		S
Item designation / according to DIN 40719 extendable after IEC 204-2 / according to IEC 750		S

#### Main circuit:

Continuous current / rated value	A	63
Operating current / at AC-21 / rated value	A	63
Short-time current resistance (I <sub>cw</sub> ) / at 690 V / limited to 1 s / rated value	A	1,260
Operating frequency	Hz	50 ... 60
Operating voltage / at 50/60 Hz / for AC / rated value	V	690
Service power / at AC-3		
• at 400 V / rated value	kW	18.5
• at 690 V / rated value	kW	15
Service power / at AC-23 A		
• at 400 V / rated value	kW	22
• at 690 V / rated value	kW	18.5
Operating cycles / maximum	1/h	50

#### Auxiliary circuit:

Number of NC contacts / for auxiliary contacts		0
Number of NO contacts / for auxiliary contacts		0
Number of change-over switches / for auxiliary contacts		0
Continuous current / of the auxiliary contact / rated value	A	10
Operating voltage / of the auxiliary contacts / for AC / maximum	V	500
Insulation voltage / of the auxiliary switch / rated value	V	500

#### Short-circuit:

Design of the fuse link / for short-circuit protection of the main circuit / necessary		fuse gL/gG: 63 A
Design of the fuse link / for short-circuit protection of the auxiliary switch / required		fuse gL/gG: 10 A

#### Installation/mounting/dimensions:

Type of mounting		floor mounting
• front mounting		No
• front mounting with central fixation		No

• front mounting with 4-hole fixation		No
• series installation		No
• Rail installation		No
<b>Width</b>	mm	146
<b>Height</b>	mm	199
<b>Depth</b>	mm	149

#### Connection type:

<b>Design of the electrical connection / for main current circuit</b>		connection terminals
<b>Design of the electrical connection / for auxiliary contact</b>		connection terminals
<b>Type of the connectable conductor cross-section / for main contacts</b>		2.5 ... 35 mm <sup>2</sup>
• solid		16 mm <sup>2</sup>
• finely stranded / with conductor end processing		2.5 ... 35 mm <sup>2</sup>
• stranded		
<b>Type of connectable conductor cross section / for auxiliary contacts</b>		2x (0.75 to 2.5 mm <sup>2</sup> ), 1x 4 mm <sup>2</sup>
• solid		2x (0.75 ... 2.5 mm <sup>2</sup> ), 1x 4 mm <sup>2</sup>
• stranded		

#### Certificates/approvals:

<b>Verification of suitability</b>		CSA / UL / CCC / GL / LRS / DNV / PRS
<b>Conductor cross section that can be connected / for main contacts / solid / minimum</b>	mm <sup>2</sup>	2.5
<b>Conductor cross section that can be connected / for main contacts / solid / maximum</b>	mm <sup>2</sup>	35
<b>Conductor cross section that can be connected / for main contacts / stranded / minimum</b>	mm <sup>2</sup>	2.5
<b>Conductor cross section that can be connected / for main contacts / stranded / maximum</b>	mm <sup>2</sup>	35
<b>Conductor cross-section that can be connected / for main contacts / stranded wire / with conductor end processing / maximum</b>	mm <sup>2</sup>	16
<b>Conductor cross section that can be connected / for auxiliary contacts / solid / minimum</b>	mm <sup>2</sup>	0.75
<b>Conductor cross section that can be connected / for auxiliary contacts / solid / maximum</b>	mm <sup>2</sup>	4
<b>Conductor cross-section that can be connected / for auxiliary contact / stranded wire / with conductor end processing / minimum</b>	mm <sup>2</sup>	0.75
<b>Conductor cross-section that can be connected / for auxiliary contact / stranded wire / with conductor end processing / maximum</b>	mm <sup>2</sup>	2.5
<b>Conductor cross section that can be connected / for auxiliary contacts / stranded / min.</b>	mm <sup>2</sup>	0.75

Conductor cross section that can be connected / for auxiliary contacts / stranded / max.

mm<sup>2</sup>

4

### Certificates/approvals:

#### General Product Approval



CCC



CSA



GOST



UL

#### Test Certificates

[Special Test Certificate](#)

#### Shipping Approval



DNV



GL



LRS

#### other

[Declaration of Conformity](#)



UL

### Further information:

#### Information- and Downloadcenter (Catalogs, Brochures,...)

<http://www.siemens.com/lowvoltage/catalogs>

#### Industry Mall (Online ordering system)

<http://www.siemens.com/lowvoltage/mall>

#### Service&Support (Manuals, Certificates, Characteristics, FAQs,...)

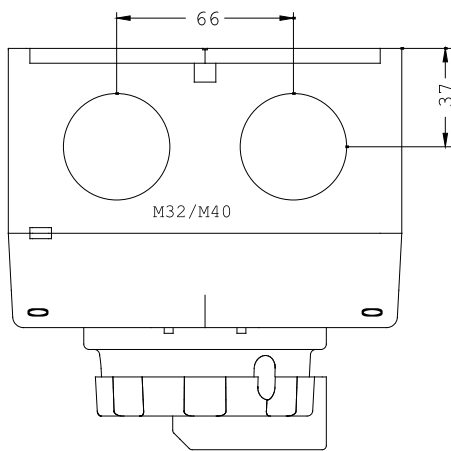
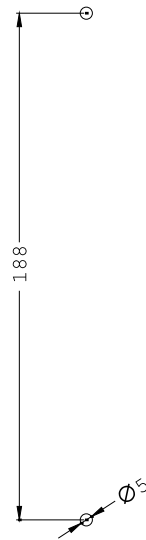
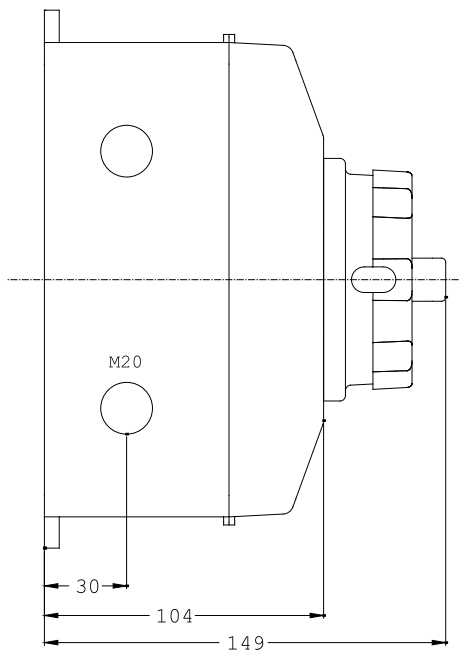
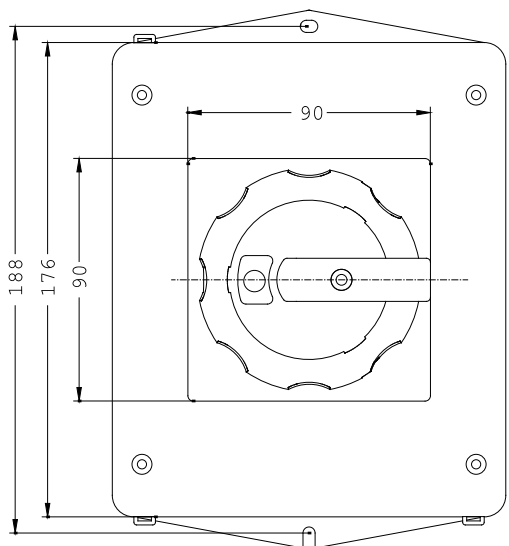
<http://support.automation.siemens.com/WWW/view/en/3LD2565-0TB51/all>

#### Image database (product images, 2D dimension drawings, 3D models, device circuit diagrams, ...)

[http://www.automation.siemens.com/bilddb/cax\\_en.aspx?mlfb=3LD2565-0TB51](http://www.automation.siemens.com/bilddb/cax_en.aspx?mlfb=3LD2565-0TB51)

#### CAX-Online-Generator

<http://www.siemens.com/cax>



last change:

Apr 9, 2012