



MA 2010 (A1) Tilting TV Wall Mount

Article number (SKU)
Colour

8552010
Black



Key Benefits

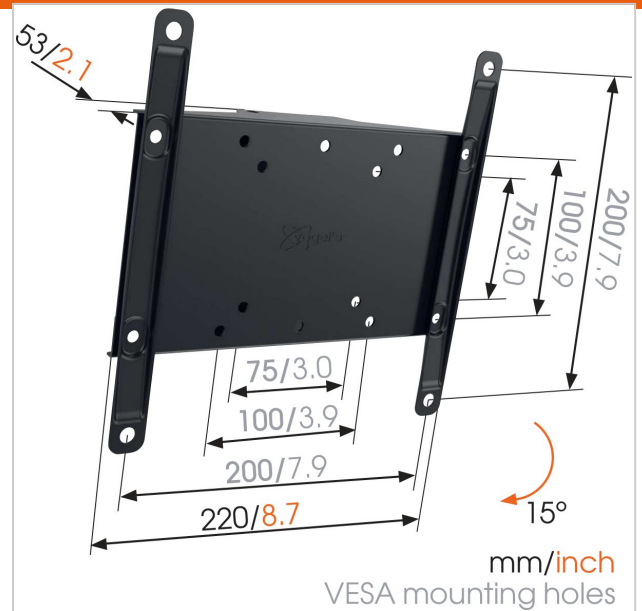
- Reliable quality for an affordable price
- Tilt (up to 15°) to avoid reflections

For TVs up to 40 inch (102 cm)

The MA2010 is a solid wall mount that fits TVs from 19 to 40 inch (48 to 102 cm). It provides secure support for TVs up to 30 kg. Tilting wall mounts provide a comfortable viewing position. An M-series tilting wall mount allows you to mount your TV high up on the wall and out of the way, while still enjoying a comfortable viewing position. A tilting wall mount is also ideal to avoid reflections and glare.

The M-series: safety first at an affordable price

If you're looking for a sturdy, reliable and affordable solution to mount your TV safely on your wall, look no further than the Vogel's M-series. Solid materials and a simple, straightforward design that does exactly what it needs to do. The Vogel's M-series: safety first at an affordable price.



MA 2010 (A1) Tilting TV Wall Mount

www.vogels.com



VOGEL'S HOLDING BV 2019 (c) All rights reserved.
Subject to printing errors, technical and price amendments.
Date: 2019-02-13

Specifications

Product type number	MA2010-A1
Article number (SKU)	8552010
Colour	Black
EAN single box	8712285331268
Product size	S
TÜV certified	Yes
Guarantee	2 years
Min. screen size (inch)	19
Max. screen size (inch)	40
Max. weight load (kg)	30
Max. bolt size	M8
Max. height of interface (mm)	220
Max. width of interface (mm)	220
Min. distance to the wall (mm)	53
Product group	Tv mount tilt
Universal or fixed hole pattern	Fixed
Product line	M-series

