

# QNE-7080RV

4M H.265 NW IR Flateye Camera



## Key Features

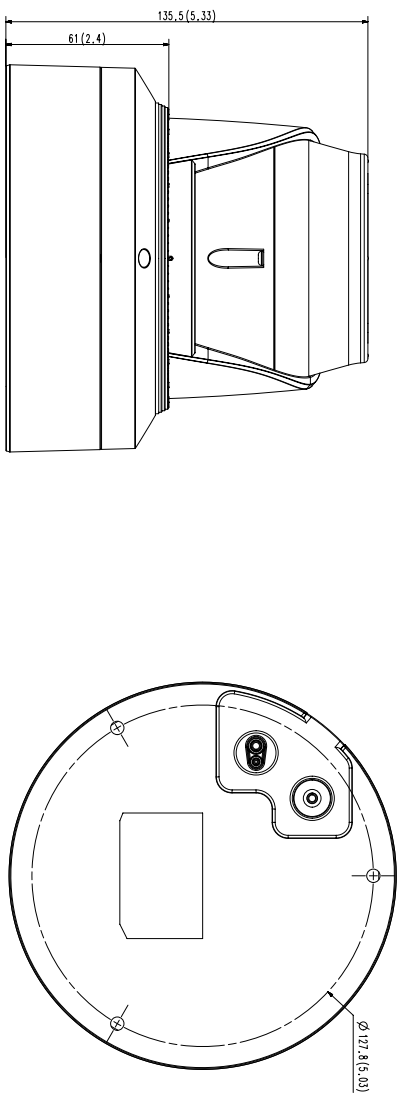
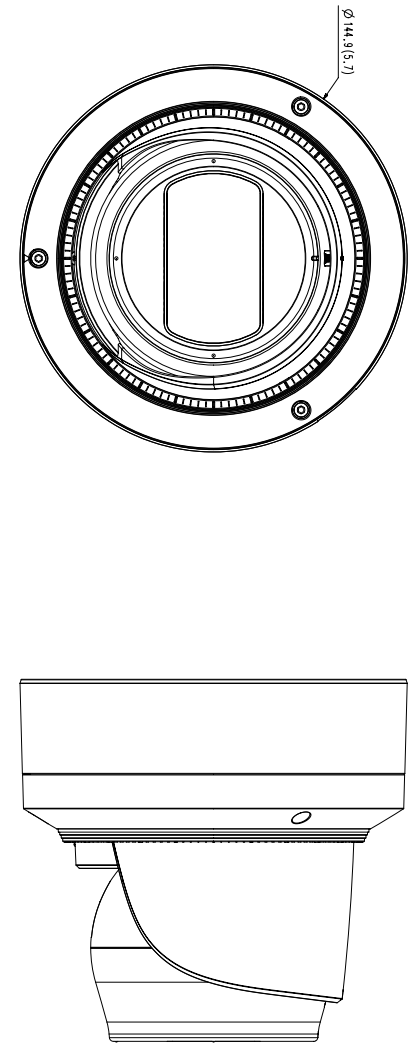
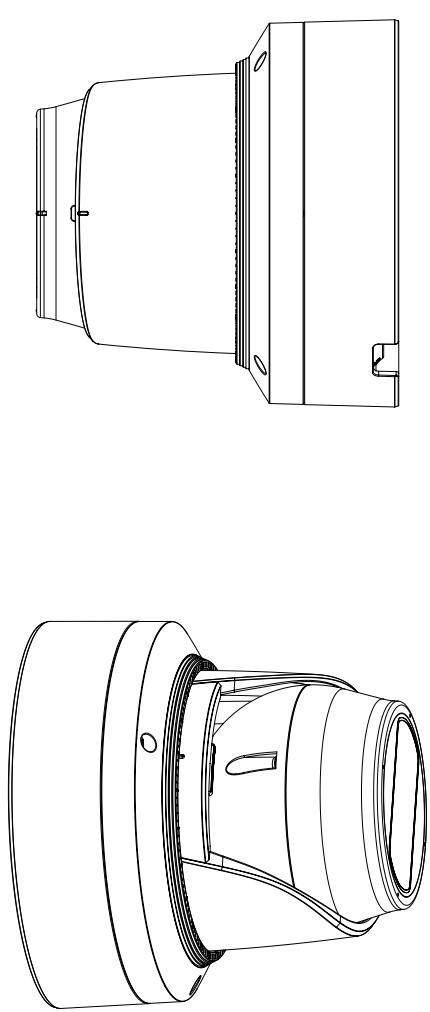
- Max. 4Megapixel (2592 x 1520) resolution
- 3.2~10mm (3.1x) motorized varifocal lens
- 0.2Lux@F1.6 (Color), 0Lux (B/W)
- Max. 20fps@4Megapixel (H.265 / H.264), 30fps@2Megapixel
- H.265, H.264, MJPEG codec support, Multiple streaming, Day & Night, WDR (120dB)
- Tampering, Motion detection, Defocus detection
- microSD / SDHC / SDXC memory slot (Max. 128GB)
- Hallway view, WiseStream support, LDC, PoE / 12V DC
- IR Viewable length 30m

<b>Video</b>	
Imaging Device	1/3" 4MP CMOS
Effective Pixels	2688(H)x1520(V)
Min. Illumination	Color: 0.2Lux(F1.6, 1/30sec) BW: 0Lux(IR LED on)
<b>Lens</b>	
Focal Length (Zoom Ratio)	3.2~10mm(3.1x) motorized varifocal
Max. Aperture Ratio	F1.6(Wide)~F2.9(Tele)
Angular Field of View	H: 100°(Wide)~30.5°(Tele) / V: 55.7°(Wide)~18.3°(Tele) / H: 119.6°(Wide)~35.3°(Tele)
Focus Control	Simple focus
<b>Pan / Tilt / Rotate</b>	
Pan / Tilt / Rotate Range	0°~350° / 0°~70° / 0°~355°
<b>Operational</b>	
IR Viewable Length	30m(98.42ft)
Camera Title	Displayed up to 20 characters
Day & Night	Auto(ICR)
Backlight Compensation	BLC, WDR, SDR
Wide Dynamic Range	120dB
Digital Noise Reduction	SSNR
Motion Detection	4ea, polygonal zones
Privacy Masking	6ea, rectangular zones
Gain Control	Low / Middle / High
White Balance	ATW / AWC / Manual / Indoor / Outdoor
LDC	Support
Electronic Shutter Speed	Minimum / Maximum / Anti flicker
Video Rotation	Flip, Mirror, Hallway view(90°/270°)
Analytics	Defocus detection, Motion detection, Tampering
Alarm I/O	Input 1ea / Output 1ea
Alarm Triggers	Analytics, Network disconnect, Alarm input
Alarm Events	File upload via FTP and e-mail Notification via e-mail SD/SDHC/SDXC or NAS recording at event triggers Alarm output
Audio In	Line in Supply voltage: 2.5VDC(4mA), Input impedance: 2K Ohm
<b>Network</b>	
Ethernet	RJ-45(10/100BASE-T)
Video Compression	H.265/H.264, MJPEG
Resolution	2592 x 1520, 2560 x1440 (16 : 9), 2304 x 1296, 1920 x 1080, 1280 x 1024, 1280 x 960, 1280 x 720, 1024 x 768, 800 x 600, 800 x 448, 720 x 576, 720 x 480, 640 x 480, 640 x 360, 320 x 240

Max. Framerate	H.265/H.264: Max. 30fps/25fps(60Hz/50Hz) MJPEG: Max. 15fps/12fps(60Hz/50Hz)
Smart Codec	WiseStream I
Bitrate Control	H.264/H.265: CBR or VBR MJPEG: VBR
Streaming	Unicast(6 users) / Multicast Multiple streaming (Up to 3 profiles)
Audio Compression	G.711 u-law /G.726 Selectable G.726(ADPCM) 8KHz, G.711 8KHz G.726: 16Kbps, 24Kbps, 32Kbps, 40Kbps
Protocol	IPv4, IPv6, TCP/IP, UDP/IP, RTP(UDP), RTP(TCP), RTCP, RTSP, NTP, HTTP, HTTPS, SSL/TLS, DHCP, FTP, SMTP, ICMP, IGMP, SNMPv1/v2c/v3(MIB-2), ARP, DNS, DDNS, QoS, PIM-SM, UPnP, Bonjour, LLDP
Security	HTTPS(SSL) Login Authentication Digest Login Authentication IP Address Filtering User access log 802.1X Authentication(EAP-TLS, EAP-LEAP)
Edge Storage	Micro SD/SDHC/SDXC 1slot 256GB (TBD)
Application Programming Interface	ONVIF Profile S/G SUNAPI(HTTP API)
Web Viewer	Supported OS: Windows 7, 8.1, 10, Mac OS X 10.10, 10.11, 10.12 Recommended Browser: Google Chrome Supported Browser: MS Explore11, MS Edge, Mozilla Firefox(Window 64bit only), Apple Safari(Mac OS X only)
Memory	512MB RAM , 256MB Flash
<b>Environmental</b>	
Operating Temperature / Humidity	-30°C ~ +55°C (-22°F ~ +131°F) / Less than 90% RH
Storage Temperature / Humidity	-30°C ~ +60°C (-22°F ~ +140°F) / Less than 90% RH
Certification	IP66, IK10
<b>Electrical</b>	
Input Voltage	PoE(IEEE802.3af, Class3), 12VDC
Power Consumption	PoE: Max 8.6W 12VDC: Max 7.7W
<b>Mechanical</b>	
Color / Material	Ivory / Aluminum
RAL Code	RAL9003
Product dimensions / weight	Ø144.9x135.5mm(Ø5.7x5.33"), 1.3Kg(2.87lb)

- The latest product information / specification can be found at [hanwha-security.com](http://hanwha-security.com)
- Design and specifications are subject to change without notice.
- Wisenet is the proprietary brand of Hanwha Techwin , formerly known as Samsung Techwin.

NO	PART NAME	CODE NO.	MATERIAL	QTY	REMARK
1				1	



STANDARD TOLERANCE

D1Y	M1	M2	M3	M4	M5	M6
S10	F10	F12	F15	F20	F25	F30
S15	F15	F20	F25	F30	F40	F50
S20	F20	F25	F30	F40	F50	F60
S30	F30	F40	F50	F60	F80	F100
S40	F40	F50	F60	F80	F100	F150
S50	F50	F60	F80	F100	F150	F200

UNIT	MM	DESIGN	CHECK	APPROVAL	PART NAME
SCALE					MODEL NAME
					CODE NO.