



ELC-AQFA120-SQA

# AQUAFUSION

# AQUAFUSION ADV

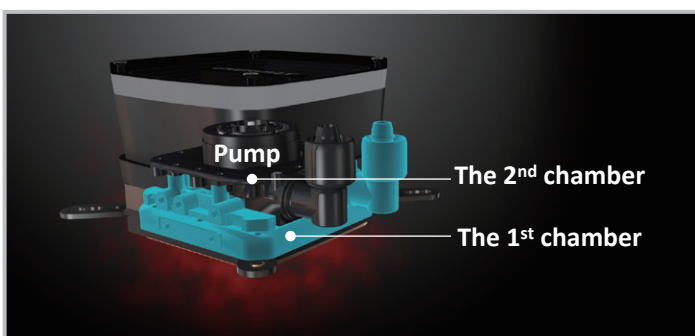


- Support the latest socket Intel® LGA 1700 & AMD® AM5
- Innovative designed Dual-Chamber and CCI + SCT Technology
- Luminous Aurabelt™ with unique addressable RGB lighting



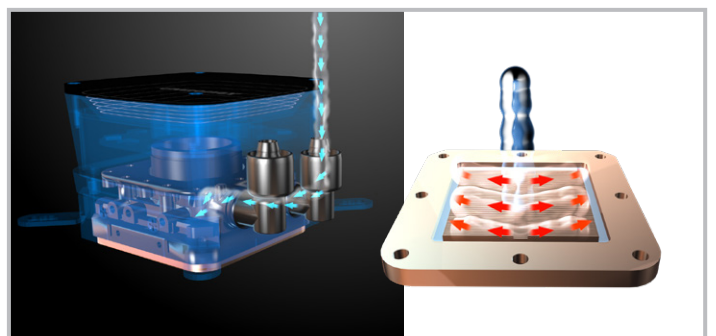
## Features

- **Dual-Chamber Design**
  - Patented Dual-Chamber Mechanism that isolates the pump from the heat, significantly increases the cooler's lifespan without compromise efficiency.
- **Patented CCI + SCT Technology**
  - Central Coolant Inlet (CCI) technology injects the coolant at the hottest spot to prevent heat surges.
  - Shunt-Channel Technology (SCT) design shortens the coolant flow path, resulting in faster heat transfer.
- **ENERMAX SquA ADV Fans**
  - With our Vortex Frame Technology and a downsized hub design, ENERMAX SquA ADV fans provide optimal cooling performance.
- **Addressable RGB Lighting Synchronization**
  - AQUAFUSION ADV is designed to synchronize to addressable RGB motherboards (3 pin assignment is 5V/D/G) which users can program preferred lighting effects via motherboard software.
- **Motherboard Synchronization**
  - Coordinate your visual effects through supported RGB software and motherboard synchronization to access control for customized lighting effects.
- **ENERMAX RGB Control box**
  - Preset 10 lighting effects; use the attached ENERMAX RGB control box to select your preferred lighting mode, brightness and speed.



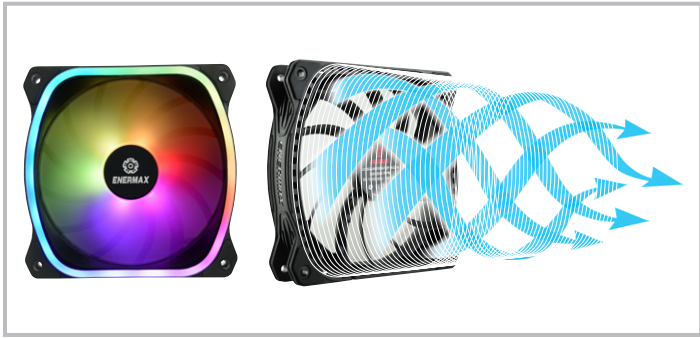
**Dual-Chamber Design**

- Significantly increases lifespan without compromise efficiency



**Patented CCI + SCT Technology**

- Provides optimized cooling effects



**ENERMAX Squa ADV Fans**  
 · Provide optimal cooling performance



**Luminous Aurabelt™**  
 · 3D Layer Design that provides unique lighting effects with 16.8 million colors



**Motherboard Synchronization**  
 · Program preferred lighting effects via motherboard software



**ENERMAX RGB Control Box**  
 · Select your preferred lighting mode, brightness, and speed

**2 Ways to Easily Control RGB Lighting Effects!**



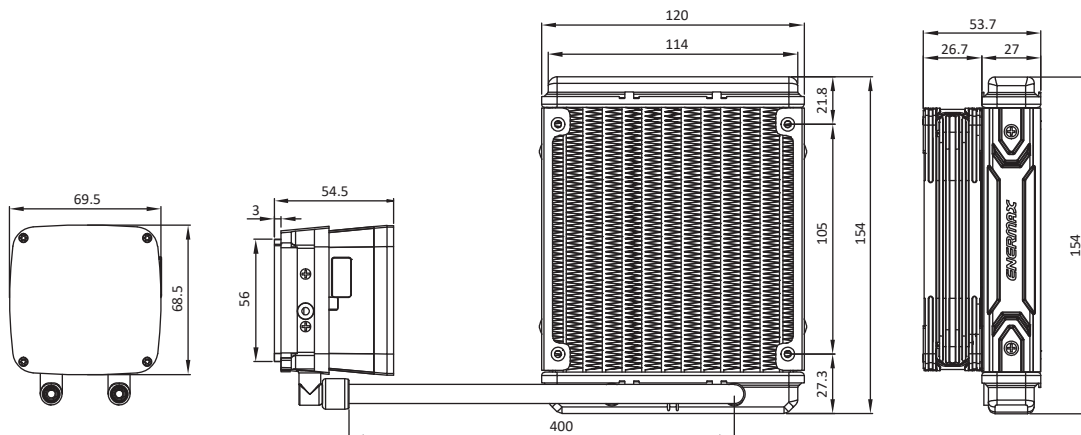
**Premium 400mm Weaved Tube**  
 · Perfect for mainstream system builds



**Meticulously Designed Radiator**  
 · Delivers high heat exchange capacity with thin aluminum fins

**Dimension**

unit : mm



## Specifications

Model		ELC-AQFA120-SQA
CPU Socket		Intel® LGA 1700/1200/115x/2066/2011/2011-3/1366 AMD® AM5/AM4/AM3+/FM2+/FM1
Radiator Dimension		154 x 120 x 27mm
Tube Length		400mm
Material	Cold Plate	Copper
	Radiator	Aluminum
	Tube	Rubber
Pump	Bearing	Ceramic Bearing
	MTBF	50,000 hrs
	Rated Voltage	12V
	Rated Current	0.7A
	Rated Current - RGB LED	0.42A (5V)
Fan	Dimension	120 x 120 x 26 mm
	MTTF	≥ 100,000 hrs
	Speed	500-2000 rpm
	Rated Voltage	12V
	Rated Current	0.38A
	Rated Current -RGB LED	1.08A (5V)
	Air Flow	39~79.8 CFM
	Static Pressure	0.67~3.6 mm-H <sub>2</sub> O
	Noise Level	15~32.6 dBA
	Connector	4 Pin PWM + 3 Pin RGB (W/ extension adapter)
Thermal Grease		Dow Corning® TC-5121C
Logistic information		
Barcode	EAN: 4713157727138	
	UPC: 819315027134	
Box Dimension	259 x 215 x 137 mm	
Gross Weight / unit	1.5 kg	
Carton Dimension	539 x 300 x 460 mm	
Q'ty / carton	8 pcs	
Gross Weight / Carton	13.25 kg	