



Cat.6A Waterproof Bulkhead Coupler

Part no.: NP0084

Technical Features

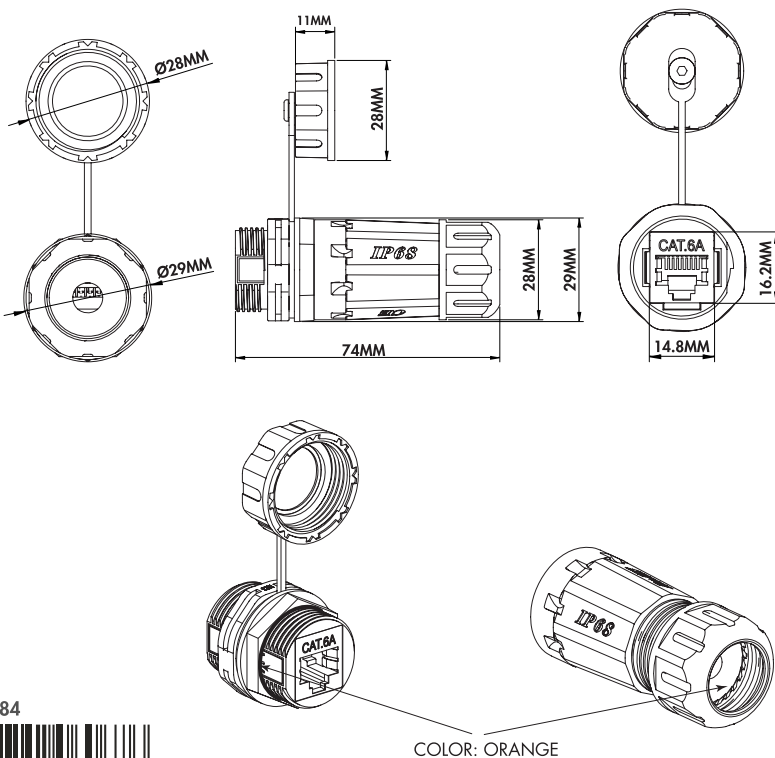
2 x Shielded RJ45 jack

Panel or wall mount extension socket

Cable gland housing, IP68 waterproof

Color: Black

Technical Drawing



Electrical:

1. Voltage Rating: 125 VAC RMS
2. Current Rating: 1.5AMP
3. Contact Resistance: 100 Milliohms max
4. Insulation Resistance: 1000 Megohms min @500 VDC
5. Dielectric Strength: 750 VAC RMS 60HZ, 1 min

Environmental:

1. Storage: -40°~85°
2. Operation: 0°~70°

Mechanical:

1. Housing Material: PA66
2. Insert Material: Flame Retardancy PBT
3. PCB Material: FR-4 T=1.6mm
4. RJ45 Jack Contact: Phosphor Bronze with gold plated 3U
5. RJ45 Jack Life: 750 times min
6. Waterproof Grade: IP68

NP0084



4 052792 060676

Made in China

COLOR: ORANGE

www.logilink.com



RoHS
compliant

*The specifications and pictures are subject to change without prior notice.
*All trade names referenced are the registered trademarks of their respective owners.

Package Content

Cat.6A Waterproof Bulkhead Coupler x 1

Packaging Information

| | |
|-------------------|-----|
| Packing Dimension | mm |
| Packing Weight | kg |
| Carton Dimension | mm |
| Carton Q'ty | pcs |
| Carton Weight | kg |



NP0084



4 052792 060676

Made in China

www.logilink.com



RoHS
compliant

*The specifications and pictures are subject to change without prior notice.
*All trade names referenced are the registered trademarks of their respective owners.