

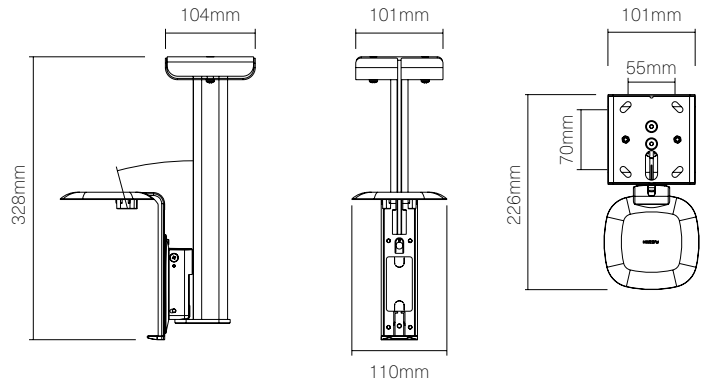
S1-CM Ceiling Mount for Sonos One, One SL and Play1



The Flexson Ceiling Mount for Sonos One, One SL and Play:1 allows you to hang your speaker from the ceiling in the ideal place to sound - and look - great. This new, improved design gives you yet more flexibility and functionality with clever cable routing to the ceiling. It's ideal for commercial installs in bars, restaurants and shops, as well as for home use.

The new Flexson ceiling mount has a unique tilting mechanism, as well as the ability to swivel left or right, so you can perfectly angle your sound. Able to tilt 15 degrees down, swivels 80 degrees (40 degrees right & 40 degrees left). The bracket also allows you to hang the Sonos One or Play:1 upside down so you can access on-speaker controls – including the Sonos One’s microphone for Alexa voice commands - even when it’s mounted on the ceiling.

- Available in white and black to match most ceilings
- High grade-steel construction
- Designed in the UK



- Bespoke design securely holds the Sonos One, One SL and Play:1
- Base seamlessly fits the speaker, holding it securely.
- Holds a single Sonos One, Sonos SL or Sonos Play:1 speaker 30cm below ceiling
- Clever cable management to keep things tidy
- Speaker can be inverted for access to controls if required
- Unique tilting mechanism (down 15°) plus can swivel up to 80°(40° left, 40° right), so you can perfectly angle your speaker
- Precision engineered. Quick and easy to fit

	White		Black	
Product Code	FLXS1CM1011		FLXS1CM1021	
UPC / EAN Code	713541217645		5057964002279	
UK, US and European (SRP)	£99.99	\$149.99	€139.99	
Product Specifications	Height	Width	Depth	Weight
Product Size (mm)	327mm	226mm	110mm	1.08kg
Carton Dimensions (mm)	365mm	108mm	120mm	1.4Kg
Carton Contents	1 x Ceiling Mount			
Country of Manufacture	China			