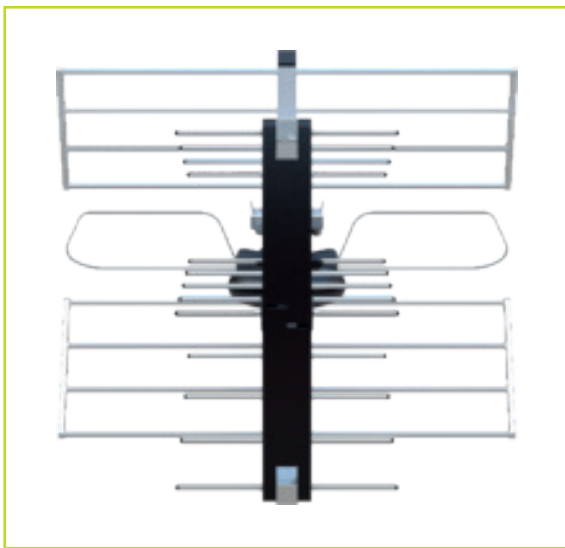


UHF Outdoor 18-20dB DVB-T/T2 Antenna SRTANT200



Performant, Reliable and Resistant

SRTANT200 UHF outdoor TV-Antenna is an all in one solution for an optimum DVB-T/T2 signal reception. The pack includes an extremely compact UHF 18-20dB outdoor TV antenna with an integrated high gain amplifier and also an optimized 4G/5G filter, 20 meters RG6 coaxial cable with IEC male and F-connector and a 5V inserter. The antenna is compatible with horizontal and vertical polarizations and includes mount system for a quick and easy installation.

DVB-T2

- UHF Outdoor 18-20dB TV Antenna for DVB-T/T2 signals reception
- Compatible with DVB-T/T2 receivers supporting active antenna output (5V)*
- External 5G/4G LTE Filter included for better reception
- Integrated high gain amplifier for optimal signal strength and performance
- Low V.S.W.R
- Compatible with both horizontal and vertical polarizations
- 2-way mounting
- Mounting system, 20 meters RG6 Coaxial cable, 5V inserter for a quick and easy installation
- Durable and weather resistant
- Excellent reception also in harsh environments

Technical Data

Frequency Range UHF: 470~862 MHz
 Active Antenna Gain UHF: 18 - 20 dB
 V.S.W.R < 2.5 dB
 Connector Type F
 Receiving Range: UHF
 RF Output Impedance 75 Ohm
 RF Coaxial Cable 20m black RG6 coaxial cable with IEC Male and F-connector
 LTE-Filter External 5G/4G LTE Filter
 Power Adaptor 5V Adapter (USB) + Inserter
 Boom Length: 785 mm
 Antenna Dimension (WxDxH): 785 x 365x 350 mm
 Weight: 910g

Packaging Content:

1x UHF Outdoor TV Antenna with integrated amplifier
 1x 5G/4G Filter
 1x Short coax cable with IEC connector female to IEC male
 1x 5V Adapter (USB) + Inserter
 1x 20m Black RG6 coaxial cable with IEC male and F-connector
 1x Mount system for an easy and quick installation on a mast
 Quick installation guide
 Simplified CE Declaration of conformity
 Safety and warranty document

*In case 5V is not supported by the receiver, a power adaptor (included) is required.



Outdoor usage



Antenna power 5 V



5G/4G Filter



UHF



Low noise amplifier



2-way mounting



Water-proof

SRTANT200 EAN: 9120072373084

Subject to alterations. In consequence of continuous research and development technical specifications, design and appearance of products may change. LTE is a trademark of ETSI, all other product names are trademarks or registered trademarks of their respective owners.

© STRONG 2021. All rights reserved.