

P0420SUDO-DE/P0820SUF0-DE

THE MULTIFUNCTION SURGE PROTECTION FOR DIFFERENT APPLICATIONS

Surge protector with MOV technology and additional functions to protect various home and office electronics

Ideal for home and office, the Professional Series safeguards connected equipment against surge and spike. The professional surge protectors include surge protected outlets for distributing power to multiple devices. The products are designed with Metal Oxide Varistor (MOV) technology to absorb surge which is caused by storms and lightning, therefore offering protection for equipment and devices. They also provide overload protection, noise filters and computer-grade protection to enhance safety for your devices.

APPLICATION

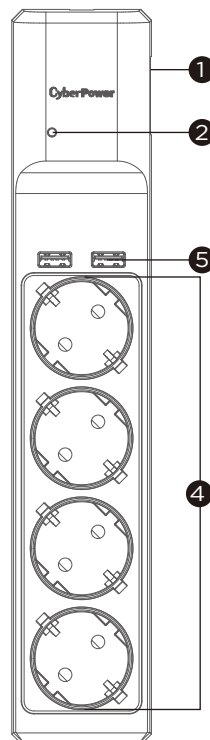
- Home
- SOHO Office
- Office
- POS Systems
- Home Theater Systems
- Multimedia Devices
- Home Appliances
- Computers

SERIES FEATURES

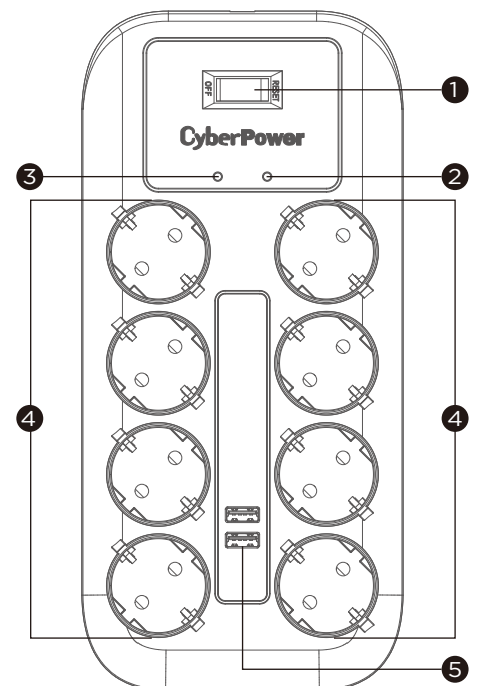
- Surge Protection
- Overload Protection
- USB Charging Port(s)
- Computer-grade Protection
- Best-in-class Dustproof Design
- Keyhole Mounting Slots

PRODUCT CALLOUTS

1. ON/OFF Reset Control Switch and Circuit Breaker
2. Surge Protected Indicator
3. Ground Indicator LED
4. Standard Grounded Outlets
5. USB Charging Ports



P0420SUDO-DE



P0820SUF0-DE



TECHNICAL SPECIFICATIONS

Model Name	P0420SUDO-DE	P0820SUFO-DE
Input		
Input Voltage Range (Vac)	200 - 250	200 - 250
Maximum Input Current (A)	10	10
Input Connector Type	Schuko	Schuko
Plug Style	Right Angle	Right Angle
Power Cord Length (m.)	1.8	1.8
Power On/Off Switch	Yes	Yes
Output		
Overload Protection	Circuit Breaker	Circuit Breaker
Over Current Protection (A)	10	10
Outlet(s) - Total	4	8
Outlet Type	Schuko x 4	Schuko x 8
USB Charging Port(s)	2	2
USB Charging Current (A)	2.4	2.4
Surge Protection & Filtering		
Surge Suppression (Joules)	350	1050
Maximum Surge Voltage (V)	6000	6000
Maximum Surge Current (A)	7500	22500
Maximum Surge Current (L-N, L-G, N-G) (A)	Line to Neutral (L-N):7500	Line to Neutral (L-N):7500/Line to Ground (L-G):7500 Neutral to Ground (N-G):7500
Clamping Voltage (L-N, L-G, N-G) (V)	Line to Neutral (L-N):1200	Line to Neutral (L-N):1200/Line to Ground (L-G):1200 Neutral to Ground (N-G):1200
Response Time (ns)	< 1	< 1
Physical		
Form Factor	Strip	Strip
Keyhole Mounting Slots	Yes	Yes
Safety Shutter	Yes	Yes
Physical Size		
Dimensions (WxHxD) (mm.)	55.5 x 297 x 45.5	128 x 270 x 42.5
Environmental		
Operating Temperature (°C)	0 - 35	0 - 35
Operating Relative Humidity (Non-condensing) (%)	0 - 95	0 - 95
Certifications		
Certifications*	CE	CE
RoHS	Yes	Yes

*Certifications may vary according to different regions. Visit www.cyberpower.com for more information.
#All specifications are subject to change without notice.