

Freezer 50

Multi Compatible Dual Tower CPU Cooler with A-RGB



General Specifications

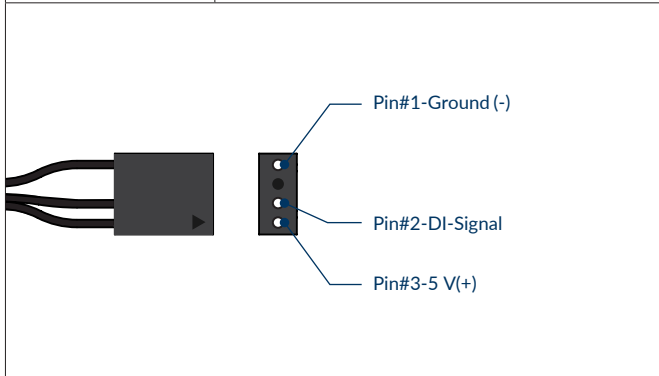
Compatibility	Intel® 1200, 115X, 2066, 2011(-3) AMD® AM4
Heatsink	Dual Tower Aluminum Heatsink
Fan	1 x 120mm & 1 x 140mm PWM-Fan
TIM	ARCTIC MX-4 included
Noise Level	0.4 Sone @ Max. rpm
Dimensions	148 mm (L) x 149.5 mm (W) x 166 mm (H)
Weight	1160g

Heatsink Specifications

Heat Pipe	Direct Touch, Ø 6mm x 6
Number of Fins	2 x 52
Fin Thickness	0.4 mm
Fin Material	Aluminum

RGB Specifications

LEDs	13 A-RGB LEDs
Connector	3-Pin 5V-DI-GND Connector
Current/Voltage	0.5 A / 5 V



Shipping Information Freezer 50

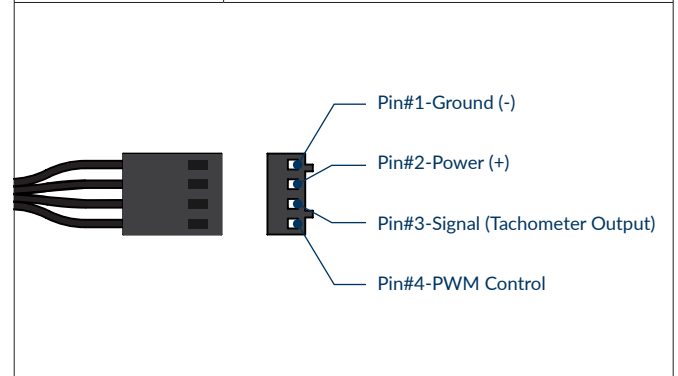
Box Dimensions	150 mm (L) x 148 mm (W) x 166 mm (H)
Brutto Weight	1700g
SKU	ACFRE00065A
EAN	4895213702560
UPC	840033400442

Addressable RGB Controller (Optional*)

Outputs	3-Pin 5V-DI-GND Connector 2x A-RGB Fan 8-Pin
Software Requirement	No
RGB Modes	15 embedded Modes 12 embedded Colours + Motherboard sync
Accessories	RF Remote 400mm Motherboard Sync. Cable Mounting Accessories
Power Source	Sata Power
Dimensions	100 mm (L) x 70 mm (W) x 12 mm (H)
Weight	50g

Fan Specifications

Speed	1x 120mm, 200 - 1800 rpm 1x 140mm, 200 - 1700 rpm
RPM Control	Pulse Wide Modulation
Connector	120mm fan: 4-Pin Connector 140mm fan: 4-Pin Connector + 4-Pin Socket
Bearing	Fluid Dynamic Bearing
Current/Voltage	120mm: 0.09 A/12 V 140mm: 0.13 A/12 V

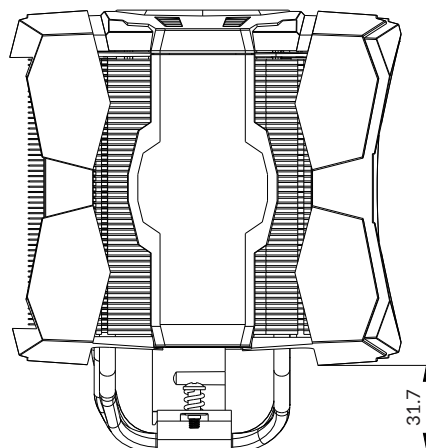
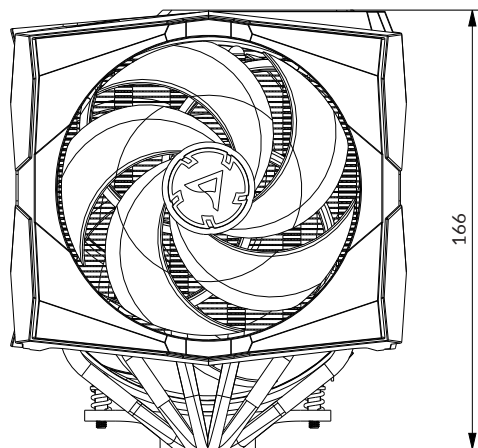
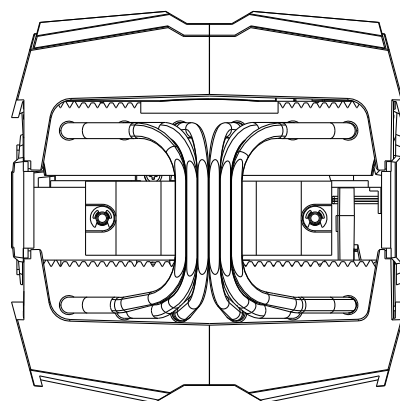
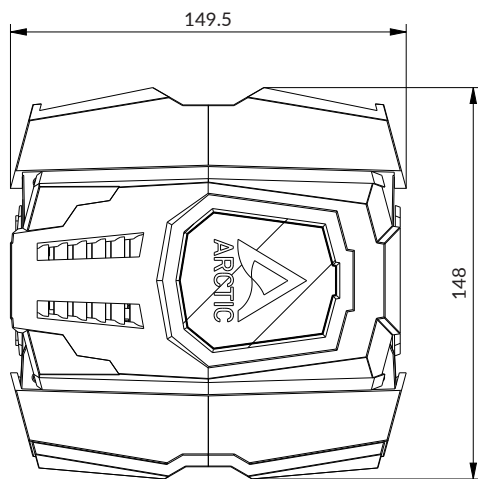
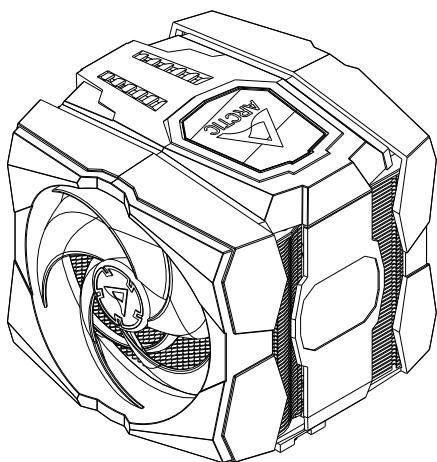


Shipping Information Freezer 50 incl. A-ARGB Controller*

Box Dimensions	150 mm (L) x 148 mm (W) x 166 mm (H)
Brutto Weight	1810g
SKU	ACFRE00080A
EAN	4895213702577
UPC	840033400459

Freezer 50

Multi Compatible Dual Tower CPU Cooler with A-RGB



* All Material are compatible with RoHS Requirement



Product Information



Manual