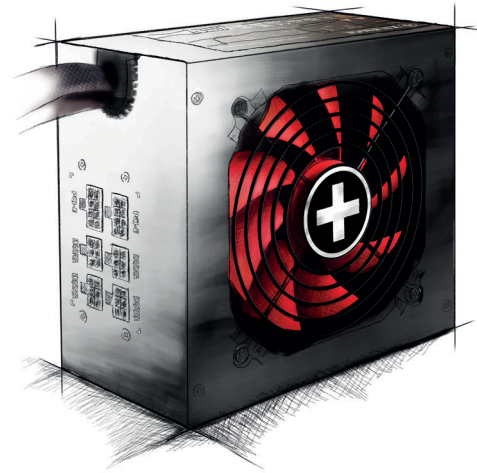


Performance A+ III Series

Power Supplies 450W / 550W / 650W / 750W / 850W

The 80+BRONZE certified Performance A+ III series, using the high standard of DC/DC technology, supplies increased efficiency and maximum electrical stability even during excessive gaming. Because of its modular cable system* (models with 550W and 650W only) the power supplies offer a built-to-order usability. This individual use of the cables supports an optimized air flow for each computer case and improve heat dissipation. Six integrated safety circuits provide an all-time safe operation and the sleeved main cable harness ensures order in the PC case.



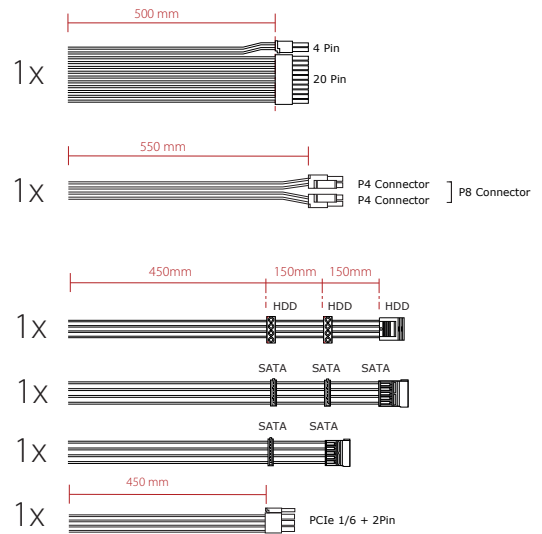
*Also available without modular-cable management:
 - XN082 550W | XP550R11
 - XN084 650W | XP650R11

Product Features

- Extremely silent cooling: large 120mm fan
- Including cable management system at a wattage form 550W
- Full safety design:
 - OVP (Over Voltage Protection)
 - UVP (Under Voltage Protection)
 - OCP (Over Current Protection)
 - OTP (Over Temperature Protection)
 - SCP (Short Circuit Protection)
 - OLP (Over Load Protection)
- Low stand-by consumption
- High energy efficiency: 80+ BRONZE® certified (complies with ErP2014 norm)
- Active-PFC

Technical Data | 450W

	AC INPUT	DC OUTPUT
XP450R11	220V - 240V	+ 3.3V 20.0A
		+ 5.0V 20.0A
		+ 12.0V 37.5A
		- 12.0V 0.3A
		+ 5.0VSB 3.0A
Efficiencies		20% > 85%
		50% > 88%
		100% > 85%
Noise Level		20% ~ 16 db(A)
		50% ~ 17 db(A)
		100% ~ 23 db(A)

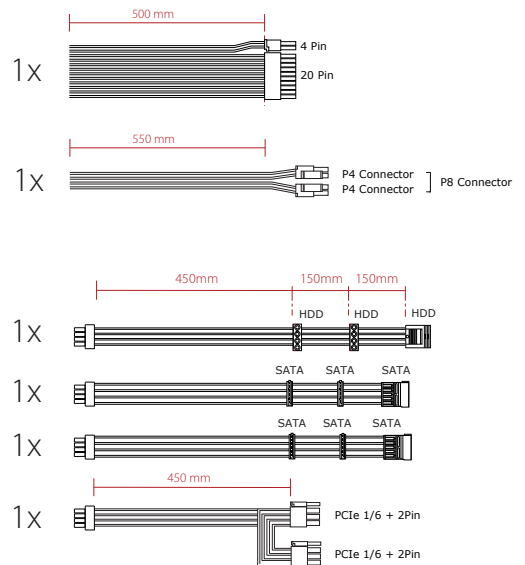


All trademarks and registered marks are the property of their respective companies. Errors excepted. Subject to change without prior notice. Images may differ from original product.

Performance A+ III Series

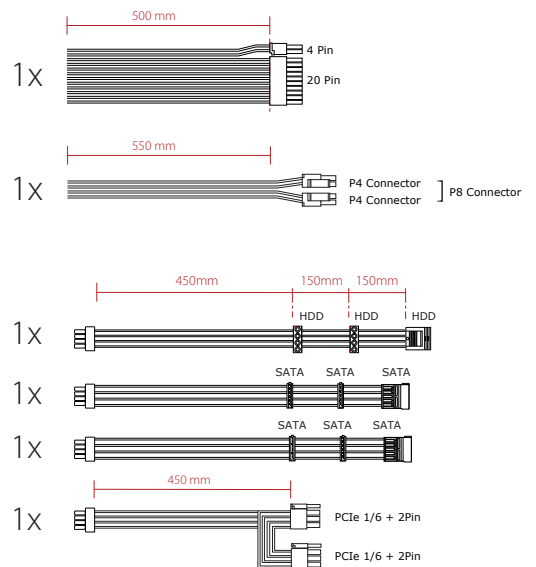
Technical Data | 550W

	AC INPUT	DC OUTPUT
XP550MR11	220 - 240V	+ 3.3V 20.0A
		+ 5.0V 20.0A
		+ 12.0V 45.8A
		- 12.0V 0.3A
		+ 5.0VSB 3.0A
Efficiencies		20% > 85%
		50% > 88%
		100% > 85%
Noise Level		20% ~ 17 db(A)
		50% ~ 18 db(A)
		100% ~ 27 db(A)



Technical Data | 650W

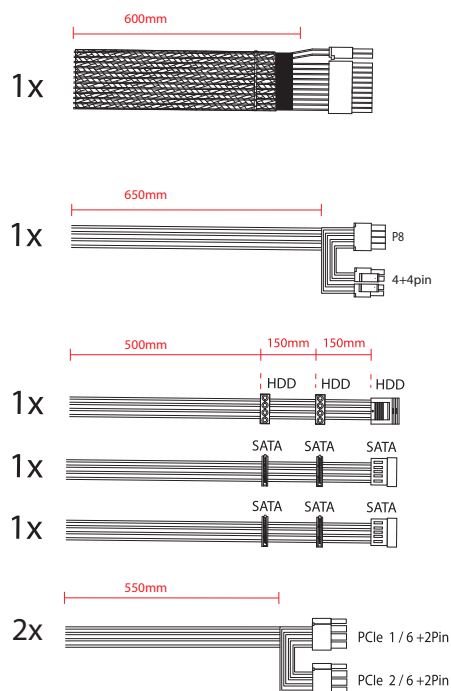
	AC INPUT	DC OUTPUT
XP650MR11	220 - 240V	+ 3.3V 20.0A
		+ 5.0V 20.0A
		+ 12.0V 54.1A
		- 12.0V 0.3A
		+ 5.0VSB 3.0A
Efficiencies		20% > 85%
		50% > 88%
		100% > 85%
Noise Level		20% ~ 17 db(A)
		50% ~ 18 db(A)
		100% ~ 29 db(A)



All trademarks and registered marks are the property of their respective companies. Errors excepted. Subject to change without prior notice. Images may differ from original product.

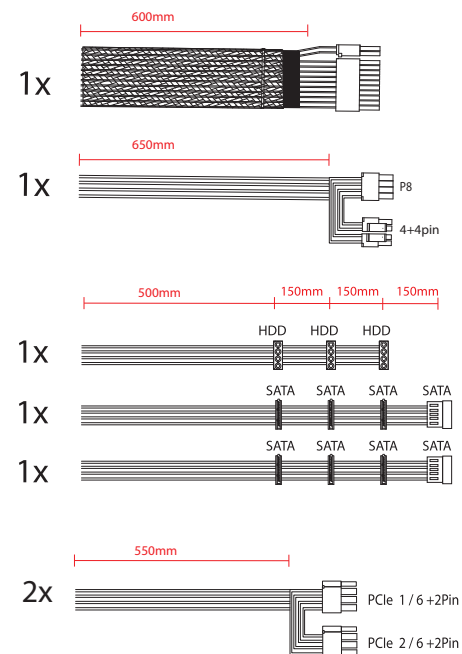
Technical Data | 750W

	AC INPUT	DC OUTPUT
XP750MR11	220 - 240V	+ 3.3V 20.0A
		+ 5.0V 20.0A
		+ 12.0V 62.5A
		- 12.0V 0.3A
		+ 5.0VSB 3.0A
Efficiencies		20% > 85%
		50% > 88%
		100% > 85%
Noise Level		20% ~ 17 db(A)
		50% ~ 18 db(A)
		100% ~ 29 db(A)



Technical Data | 850W

	AC INPUT	DC OUTPUT
XP850MR11	220 - 240V	+ 3.3V 20.0A
		+ 5.0V 20.0A
		+ 12.0V 70.8A
		- 12.0V 0.3A
		+ 5.0VSB 3.0A
Efficiencies		20% > 85%
		50% > 88%
		100% > 85%
Noise Level		20% ~ 17 db(A)
		50% ~ 18 db(A)
		100% ~ 29 db(A)



Logistical Data

Manufacturer Number	XP450R11	XP550R11	XP550MR11	XP650R11	XP650MR11
Item Number	XN081	XN082*	XN083	XN084*	XN085
EAN Barcode	4044953502200	4044953502507	4044953502224	4044953502521	4044953502248
				XP750MR11	XP850MR11
				XN087	XN089
				4044953502972	4044953502996



All trademarks and registered marks are the property of their respective companies. Errors excepted. Subject to change without prior notice. Images may differ from original product.