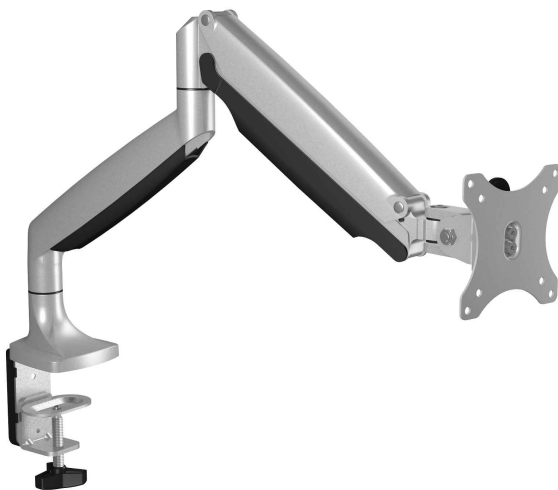
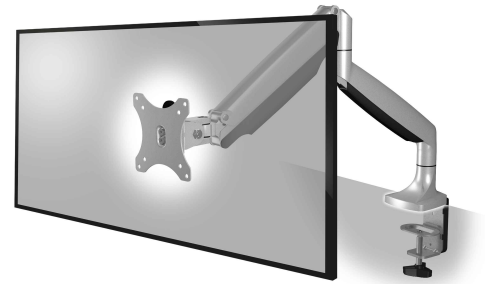




ICY BOX IB-MS503-T Monitor stand with table support for one monitor up to 32" (81 cm)

Key features

- Well-engineered design - slim and ergonomic
- Smart Torque Adjust™ - to meet various weights implemented
- Vertical adjustment - Gas spring assisted
- Easy Cable™ Management cover & column to make the cables tidy & well arranged
- Special clamp base design to guarantee best stability
- For screen size up to 32" diagonal screen measurement
- Detachable VESA® panel for easy installation
- Supports 100x100 und 75x75 VESA® standards

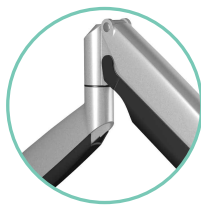
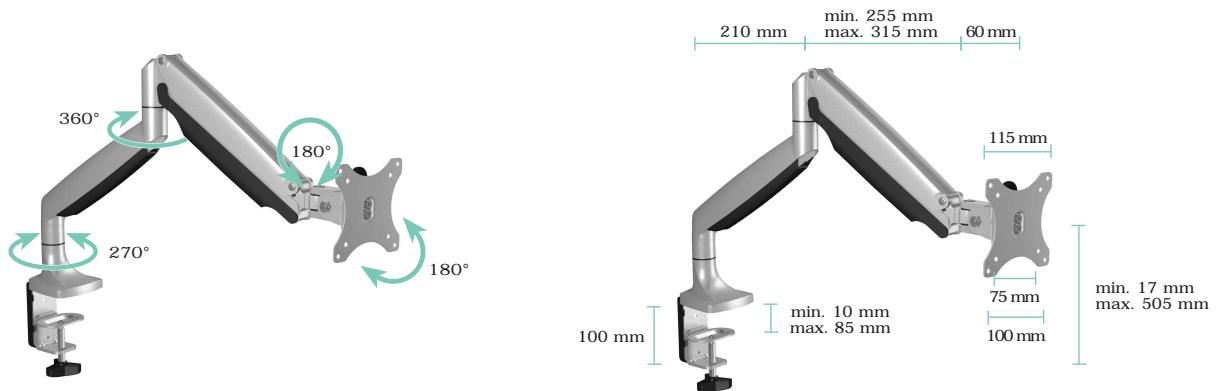


Technical Data

Model	IB-MS503-T
Article No.	60182
EAN / GTIN Code	4250078165194
Brand	ICY BOX
Article Text	Monitor stand with table holder
Colour	Silver/Black
Material	Steel / Plastic / Aluminium Alloy
Maximum size of Monitor	32" (81 cm)
Number of monitors	1
Max. weight of monitor	up to 9 kg
Max. arm extend (center of VESA® support)	up to 525 mm
Max. arm height (center of VESA® support)	up to 505 mm
VESA® - Swivel (Hinge)	+/- 90° horizontal
VESA® - Tilt (Hinge)	+/- 90° vertical
Arm - Tilt	+/- 45° vertical
VESA® - Rotate (Pivot)	+/- 90° horizontal
Base - Rotate (Pivot)	270° vertical
VESA® compatible	75x75 / 100x100 mm
Mounting	Full metal clamp or grommet base
Table thickness	10-85 mm



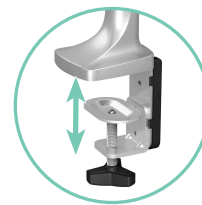
Rotation and Dimensions



Cable Management



Smart Torque Adjust



Desk clamp mounting
or grommet base

Packing content: IB-MS503-T, Allen wrench, set of screws, Quick installation guide

Logistical Data

Packing unit:	4 pcs./carton	Dimension/carton:	330x510x480 mm
Total weight:	17.94 kg/carton	Dimension of packing box:	120x490x320 mm
Gross weight (incl. packing):	4.30 kg	Dimension of article:	15x525x505 mm
Net weight:	3.32 kg	Country of origin:	China