

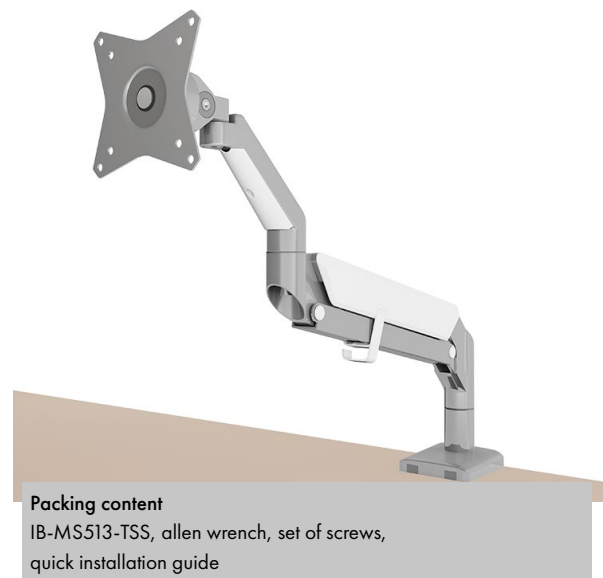


ICY BOX IB-MS513-TSS

Monitor stand with table mount for one monitor up to 32" (81 cm)

Key features

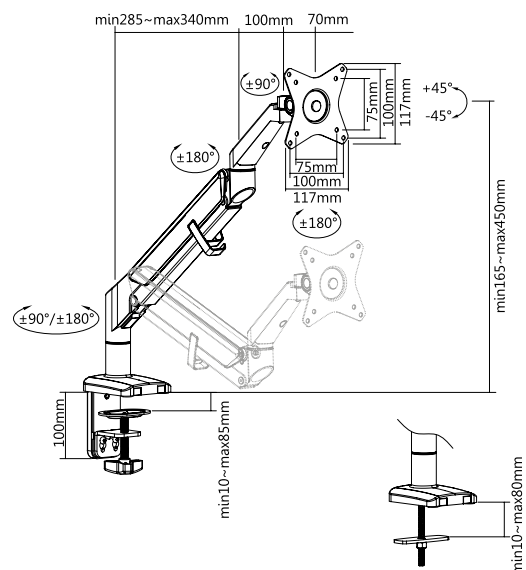
- Space-saving design for extra workspace on the desk
- Freely swivelling monitor arm for different viewing angles on the monitor
- Stepless height adjustment for an ergonomic sitting position
- Built-in spring tension gauge for perfect weight adjustment of the monitor
- Cable management for an organised and tidy workspace
- Optional mounting with clamp base or table feed-through



Packing content
IB-MS513-TSS, allen wrench, set of screws,
quick installation guide

Technical data

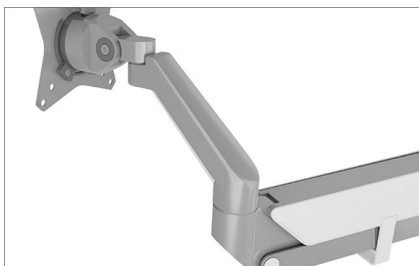
Model	IB-MS513-TSS
Article no.	60873
EAN code	4250078172062
Brand	ICY BOX
Colour	Silver/white
Material	Aluminium, plastic, steel
Maximum size of monitor	32" (81 cm)
Number of monitors	1
Max. weight of monitor	1-9 kg
Mounting	Table feed-through or clamp base
VESA® compatible	75x75, 100x100
Swivel (Hinge) - VESA®	+180° - -180°
Tilt (Hinge) - VESA®	+45° - -45°
Rotate (Pivot) - VESA®	360°
Base - Rotate (Pivot)	+/- 90° / +/- 180°
Tilt (arm)	+180° - -180°
Tilt	+45° - -45°
Swivel (Hinge)	+90° - -90°
Max arm extend	509 mm
Max arm height	450 mm
Table thickness	For clamp base: 10 - 85 mm For table feed-through: 10 - 80 mm





ICY BOX **IB-MS513-TSS**

Monitor stand with table mount for one monitor up to 32" (81 cm)



Space-saving

Due to its slim and ergonomic design, the IB-MS513-TSS is perfectly suited for smaller work areas. Thanks to its three joints, the monitor arm can be moved into almost any position and ergonomically adapts to the individual viewing direction through tilt and height adjustment.



Where are the cables?

With Easy Cable™ Management, the monitor cables can be cleverly arranged along the monitor arm. This keeps your workspace visually appealing and prevents cables from getting tangled with other work utensils. The ability to move the monitor arm joints is not impaired by the cable management.



Firmly and securely mounted

If your desk has a cut-out, you can securely attach the monitor arm to tabletops with a thickness of 10 to 80 mm using a table grommet. For tabletops with a thickness of 10 to 85 mm, you can alternatively mount it using a clamping foot, accessories are included.

Logistical data

Packing unit: 6 pcs./carton
Total weight: 22.30 kg/carton
Gross weight (with packing): 3.62 kg
Net weight: 2.90 kg

Dimension/carton: 420x470x370 mm
Dimension (with packing): 230x405x120 mm
Dimension of article: 100x537x509 mm
Country of origin: China