

Freezer A35 RGB

Tower CPU Cooler for AMD® with RGB



General Specifications

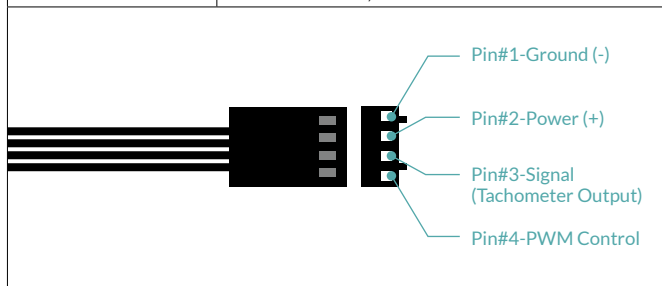
Compatibility	AMD® AM4
Heatsink	Single Tower
TIM	MX-5 (0.8g)
Noise Level	0.35 Sone
Warranty	6 Years
Dimensions	133 (W) x 91 (L) x 158.5 (H) mm
Weight	734 g

Heatsink Specifications

Number of Heatpipes	4
Heatpipe Diameter	6 mm
Number of Fins	54
Fin Thickness	0.4 mm
Fin Material	Aluminum

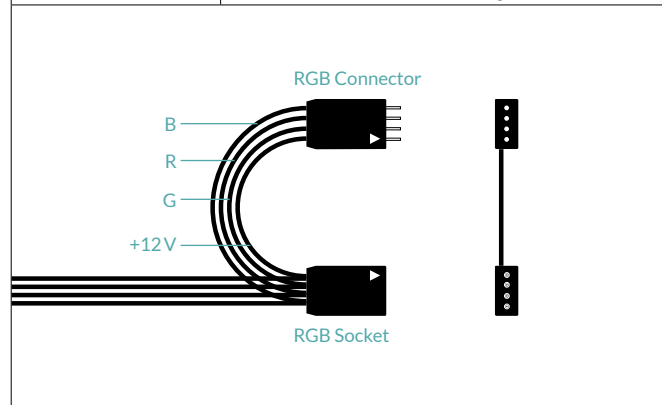
Fan Specifications

Speed	200-1700 rpm
Fan Diameter	112 mm
Fan Dimensions	133 (W) x 91 (L) x 135 (H) mm
Speed Control	Pulse Width Modulation - PWM
Connector	4-Pin Connector
Bearing	Fluid Dynamic Bearing
Current/Voltage	0.12 A/12 V
Cable	200 mm fan cable, black



RGB Specifications

LEDs	12 RGB LEDs
Connector	4-Pin 12V-G-R-B
Current/Voltage	0.2 A/12 V
Cable	450 mm cable with 80 mm sharing cable, black

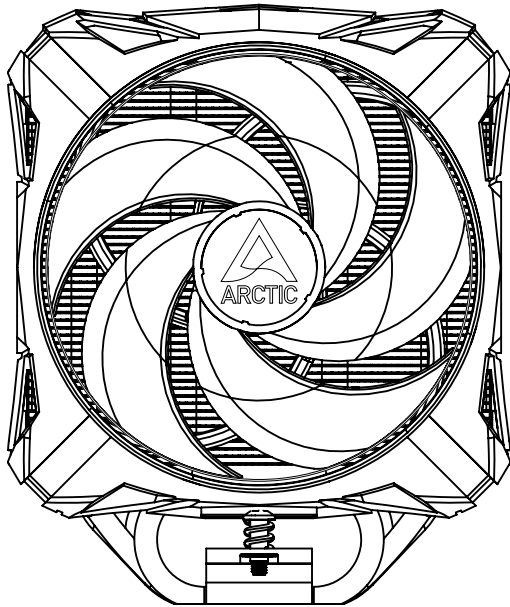


Shipping Information

Box Dimensions	113 (L) x 144 (W) x 168 (H) mm
Gross Weight	893.75 g
SKU	ACFRE00114A
EAN	4895213703451
UPC	840033401265

Freezer A35 RGB

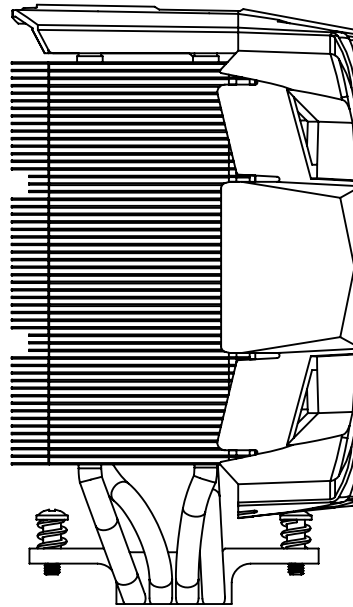
Tower CPU Cooler for AMD® with RGB



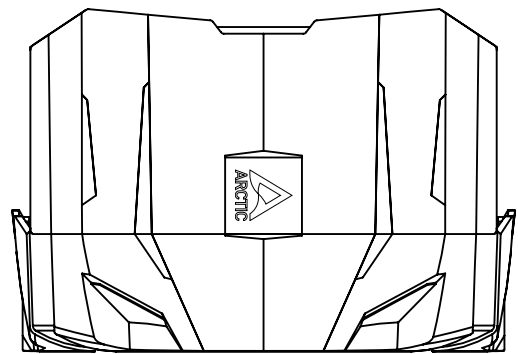
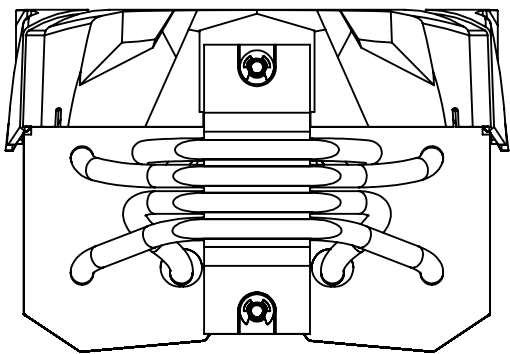
133mm



158.5mm



91mm



All materials are compatible with RoHS requirements

MORE INFORMATION



MANUALS

