



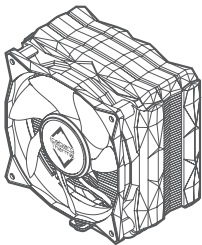
IceSLEET™ G3

Quick Start Guide

Iceberg-Thermal.com

Box Content

A



x 1

B



x 4

AMD

C



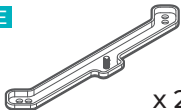
x 4

D



x 4

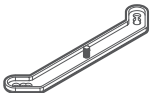
E



x 2

INTEL

F



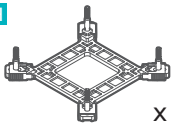
x 2

G



x 4

H



x 1

AMD

AM4

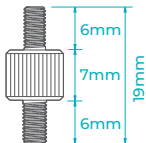
B



E



C

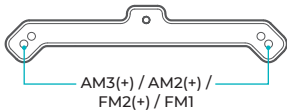


AM3(+)/AM2(+)/FM2(+)/FM1

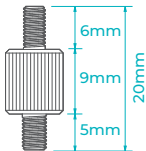
B



E

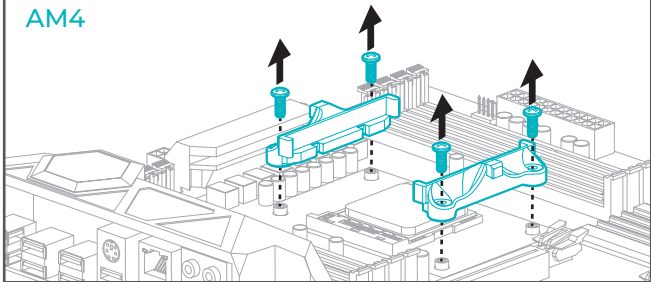


D

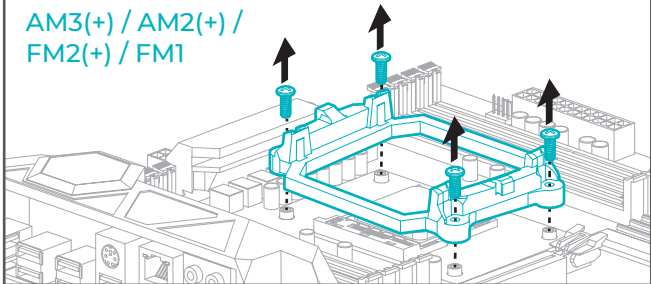


AMD

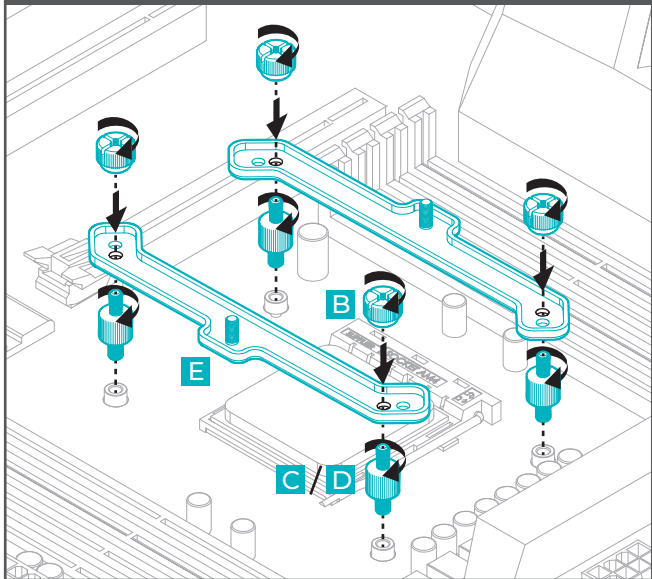
AM4



AM3(+) / AM2(+) / FM2(+) / FM1



AMD

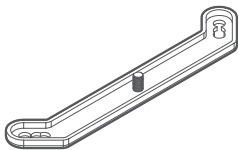


INTEL

B



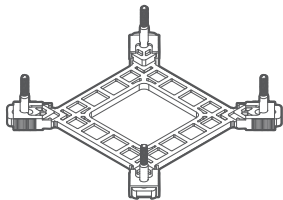
F



G

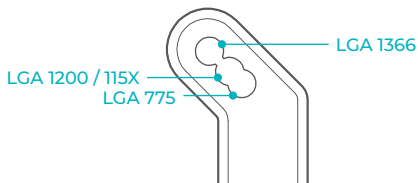


H

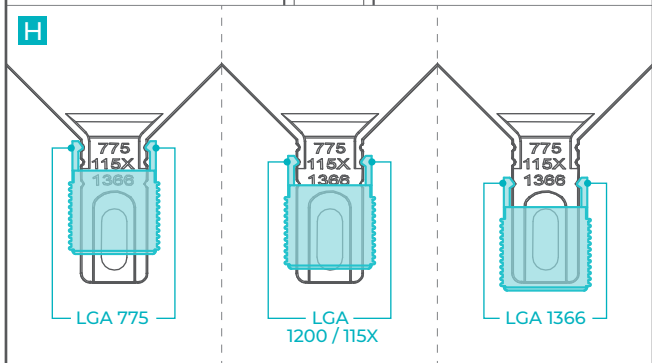


INTEL

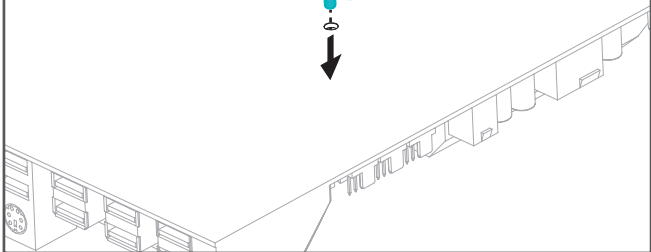
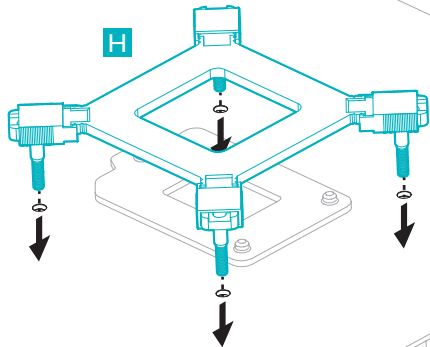
F



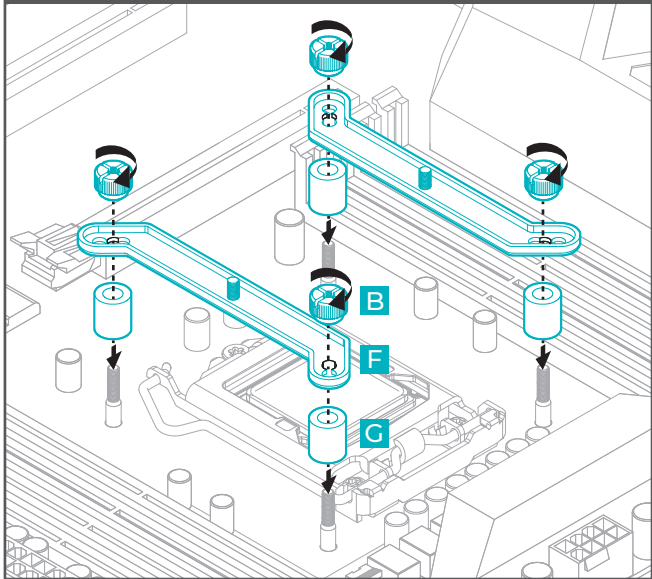
H



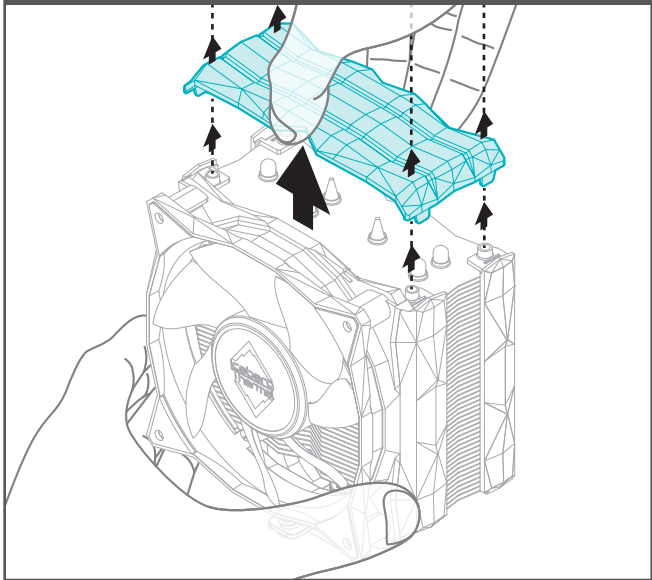
INTEL



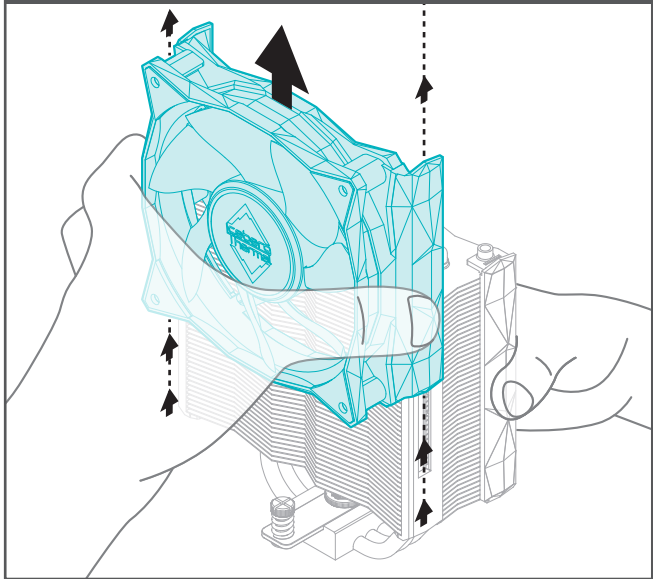
INTEL



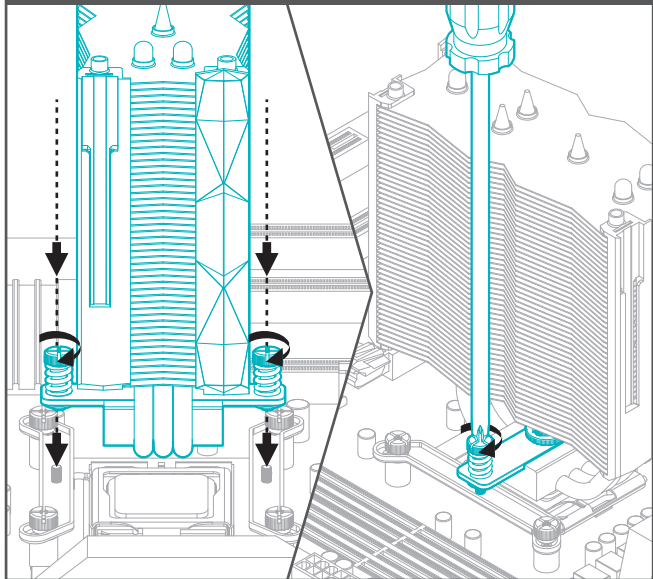
Step 1



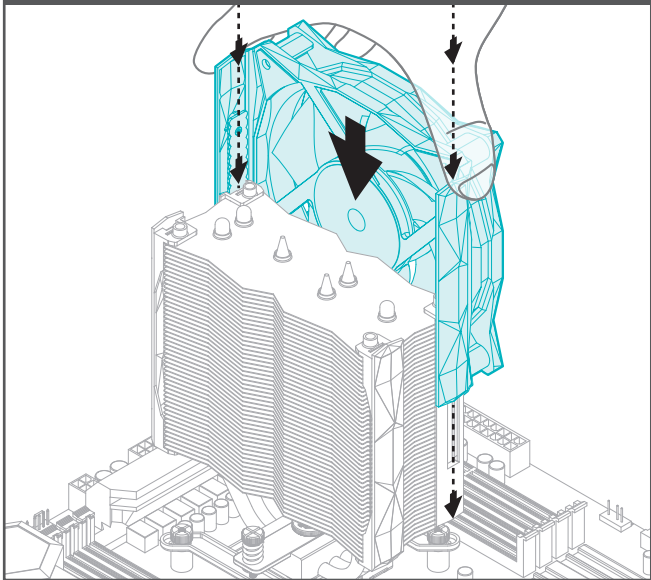
Step 2



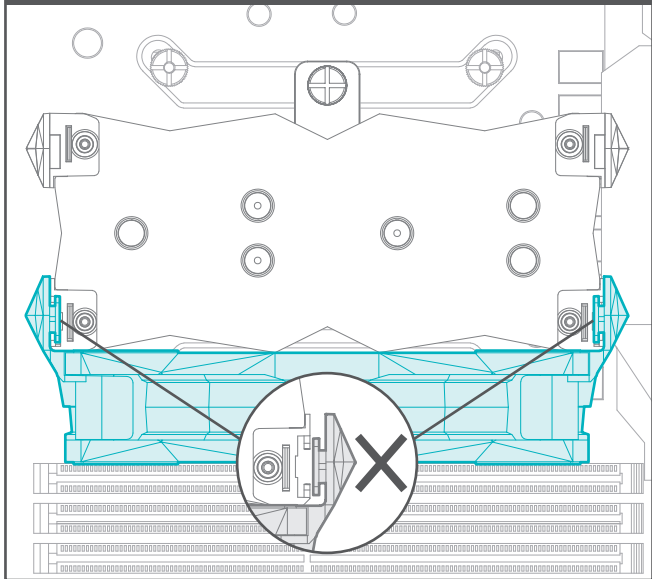
Step 3



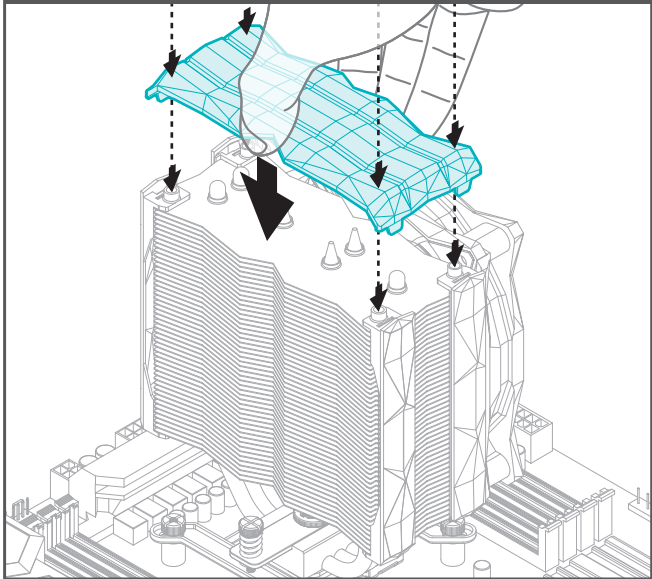
Step 4



Step 5



Step 6



Step 7

