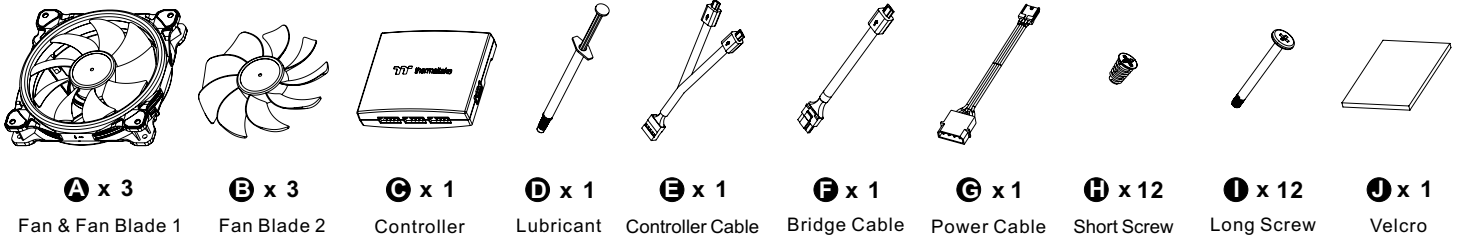




## Parts List



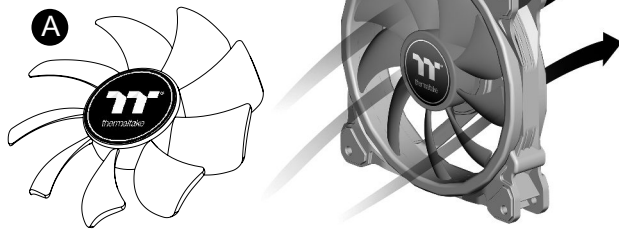
## Installation Guide

### 1 Choose your fan blade type

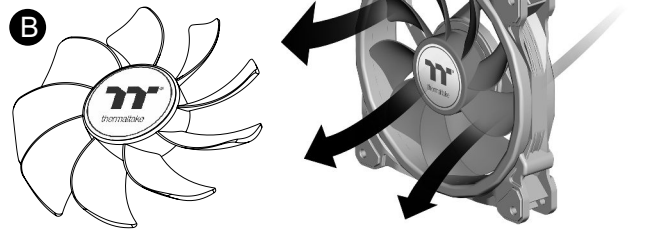
**Fan Blade 1** (Pre installed on the fan **A**)

**Fan Blade 2**

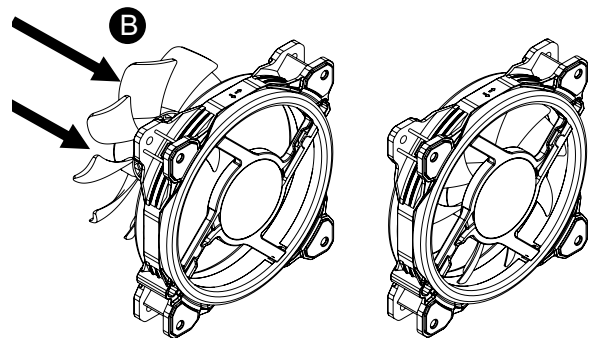
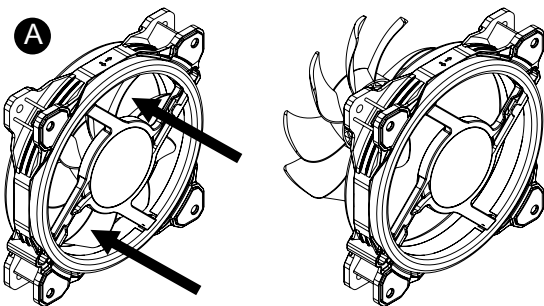
Airflow Direction:  
**Air Exhaust**



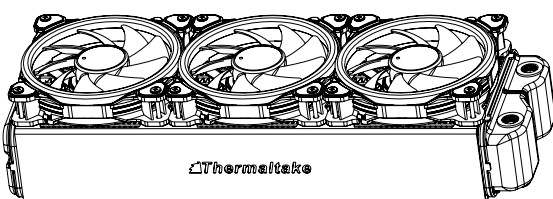
Airflow Direction:  
**Air Intake**



### 2 Replace fan blades

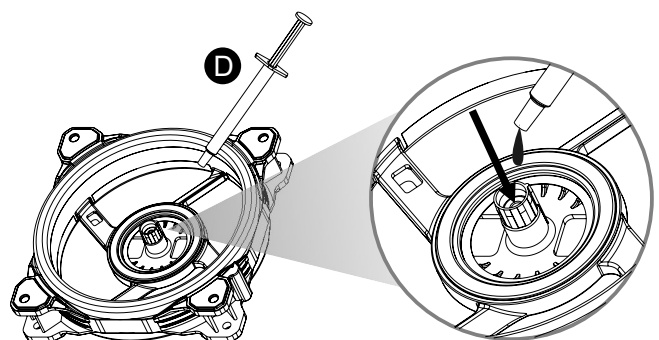


### 3



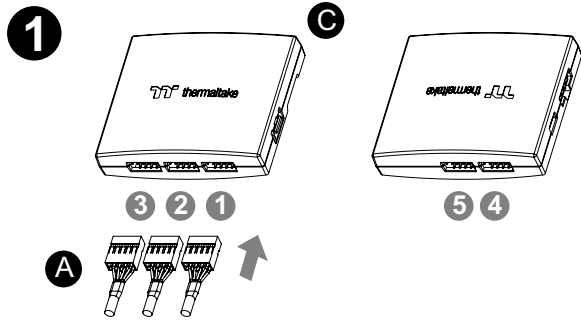
Install the fans properly onto the radiator.

## Oil Setup Guide

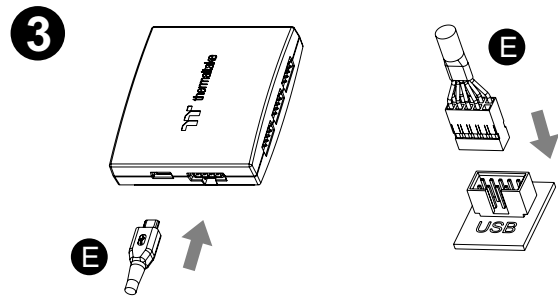


After replacing the fan blades several times, readd the oil into the bearing (about 0.1ml)

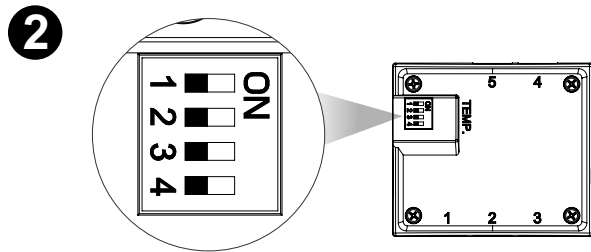
# Controller Installation Guide



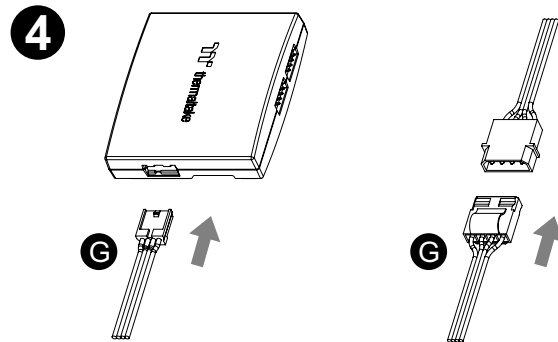
Connect the fans to the controller.



Connect the controller cable onto the motherboard (USB 2.0 9 pin) and controller.

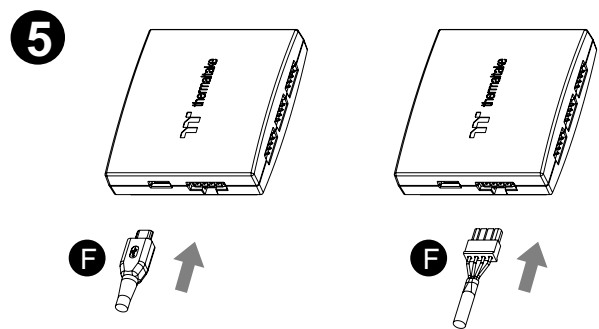


Set the DIP switch on the back side of the controller to assign the number of the controller



Connect the power cable to the 4pin Molex connector and controller.

<b>NO.1</b> ON  1 2 3 4	<b>NO.2</b> ON  1 2 3 4	<b>NO.3</b> ON  1 2 3 4	<b>NO.4</b> ON  1 2 3 4
<b>NO.5</b> ON  1 2 3 4	<b>NO.6</b> ON  1 2 3 4	<b>NO.7</b> ON  1 2 3 4	<b>NO.8</b> ON  1 2 3 4
<b>NO.9</b> ON  1 2 3 4	<b>NO.10</b> ON  1 2 3 4	<b>NO.11</b> ON  1 2 3 4	<b>NO.12</b> ON  1 2 3 4
<b>NO.13</b> ON  1 2 3 4	<b>NO.14</b> ON  1 2 3 4	<b>NO.15</b> ON  1 2 3 4	<b>NO.16</b> ON  1 2 3 4



If you want to connect two or more controllers, you can sync the controllers with the bridge connector.