

# nedis

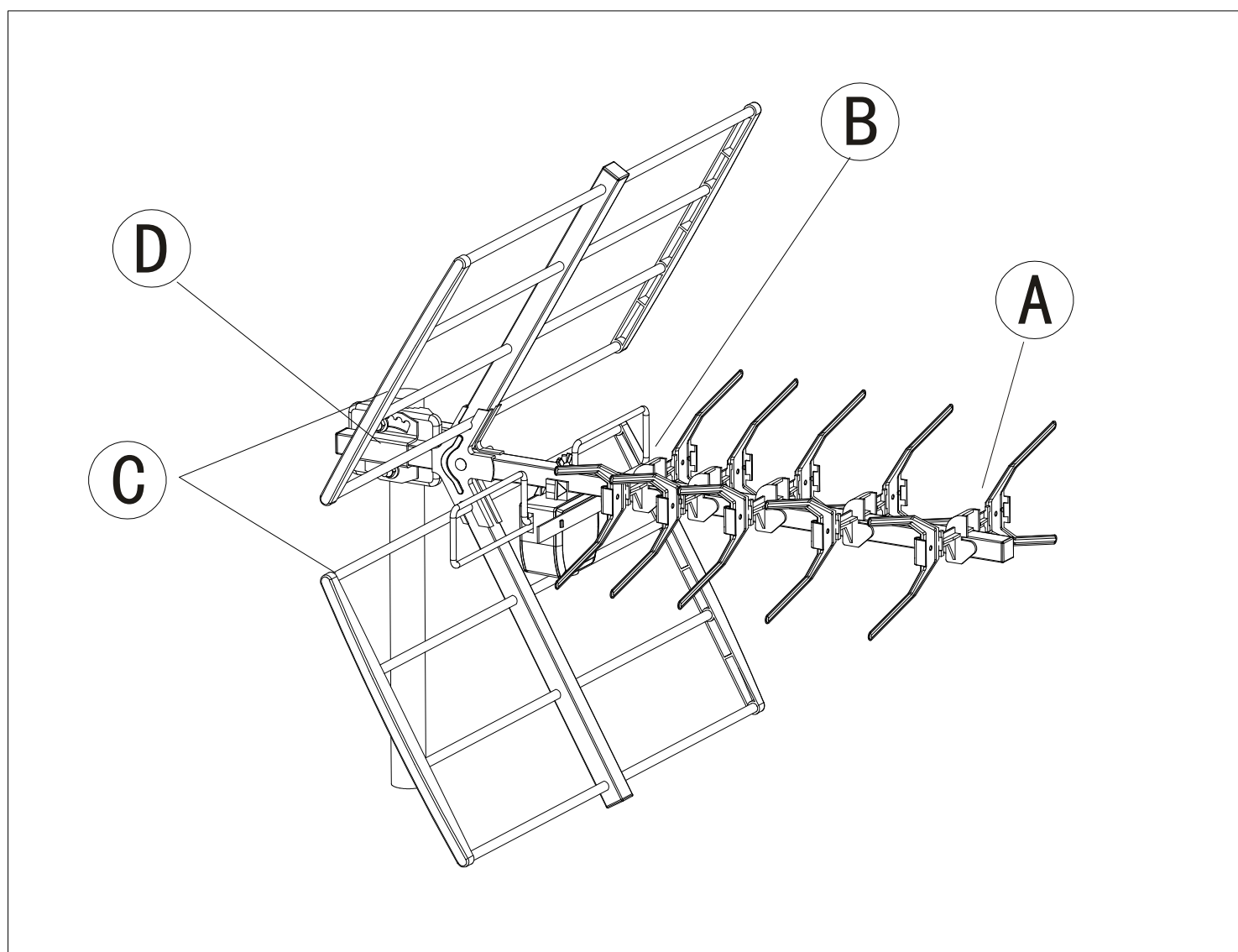
## ANOR5080ME

### TV Antenna UHF

#### Technical data:

Frequency Range	Channels	Impedance	No. of elements	Antenna Gain	Front-back ratio	Beam width H/V	Antenna Length
470~694 Mhz	21-48	75 $\Omega$	8	10-12dBi	15-24dB	H40°-45° V50°-70°	700mm

#### Antenna connection:



# nedis

## Antenna connection:

