



BY-M1000

Large Diaphragm Condenser Microphone

Instruction Manual

Instruction:

Thanks for purchasing BOYA BY-M1000!

The BOYA BY-M1000 is a 34mm(1.3") diaphragm condenser microphone, with sturdy all-metal housing, three selectable polar patterns, -10dB switch design, BOYA BY-M1000 is suited for capturing instruments and vocals in project and professional recording applications, such as singer, songwriters, podcasters, voiceover artists, field recorders, and home studio recordings. Additionally, the microphone offers a 20 Hz to 20 kHz frequency response for accurately reproducing audio signal in a variety of ranges.

The microphone uses standard 24V or 48V phantom power, which is supplied through the standard XLR connector.

Contents:

- BY-M1000 condenser microphone
- Studio-grade pop shield
- Shockmount
- 3m(10ft) balanced XLR cable

General Functions

- Polar Patterns

Cardioid

The cardioid polar pattern is focusing audio capture in front of the capsule, minimizes unwanted ambient sound from the other sides and back of the microphone.

This polar pattern is suitable for such situations when you want to pick up specific sound sources, such as recording vocals, guitar, pianos, stringed instruments, and more.

Omni-directional

The omni-directional polar pattern will in principle pick up sound equally from all directions. Whether the sound resource from the front, the side, or even back, the microphone will record the signals all with equal gain. This polar pattern can be very useful in applications where sound needs to be recorded from multiple directions, such as a musical performance where there is a band of musical instruments in front and a choir singing behind.

Bi-directional

Bidirectional polar pattern is figure-of-eight pattern and picks up sound equal sensitivity from two opposite directions, front and back of the microphone, and with low sensitivity from the sides. This polar pattern is best suited for interview, Q&A lecture or presentation, acoustic instruments, and for live recordings of jazz and acoustic groups.

- High-Pass Filter

A low-cut filter at 150 Hz allows you to eliminate low frequency hum and other low-frequency noises.

- A -10 dB Pad Switch

A -10 dB pad switch provides more headroom when capturing transient signals that may otherwise cause peak distortion.

How to use it

1. Mount BY-M1000 on 3/8" and 5/8" microphone stands or tripods.

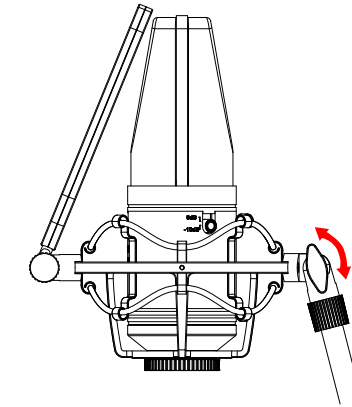


Note:
When changing the mic position, always be sure to loosen the adjustment knob first to ensure you do not damage the shock mount.

2. Rotate locking knob to adjust microphone fits your position.



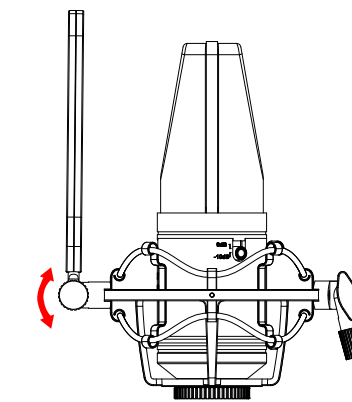
Note:
When recording any sound source, whether it be vocals, instruments or anything else, always spend time experimenting with microphone placement to ensure you are picking up the best possible sound. Adjust the microphone position as many times as you need to achieve your demand.



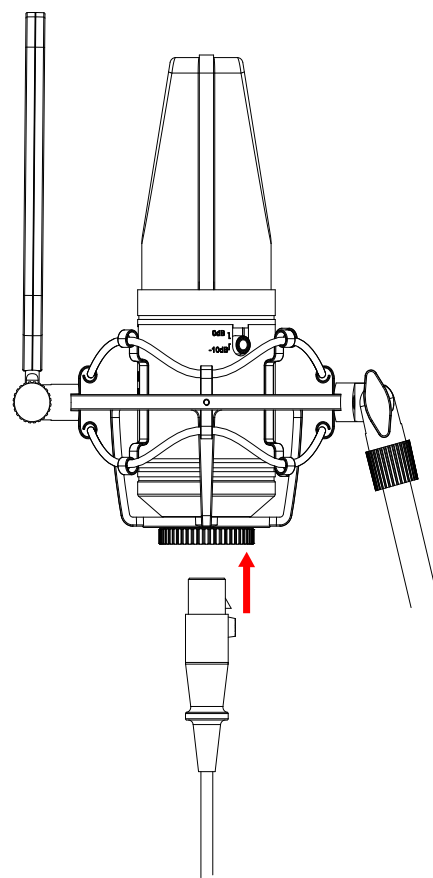
3. Mounted the supplied pop filter in front of microphone.



Note:
The "BOYA" Logo on the face of the BY-M1000 indicates the front of the microphone, and the pickup area of the capsule. The "BOYA" Logo should always be facing towards the sound source that you wish to record.



4. Insert supplied XLR cable to microphone



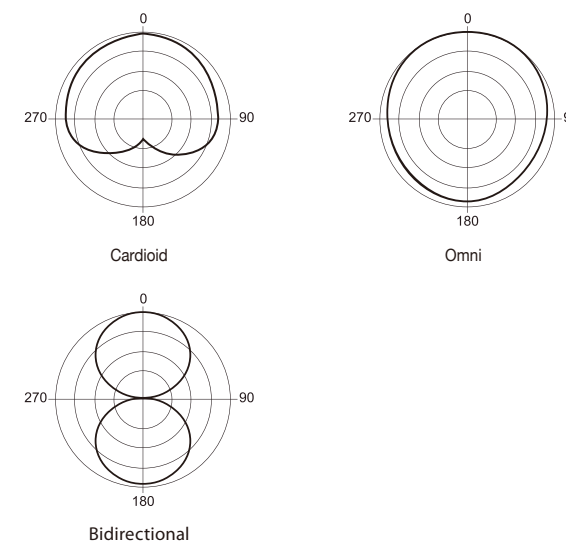
Features

- Gold-sputtered diaphragm
- Broadcast-quality condenser microphone
- Cardioid, Omnidirectional and Bidirectional polar patterns
- Wide frequency range and ultra low noise
- Off-axis rejection for clean recordings
- Included shockmount & pop filter
- Controlled by low-cut filter switch
- 0dB, -10 dB Pad switch
- Electrically balanced output
- 3-Pin XLR plug
- 24V or 48V phantom power
- All-metal housing
- Included 3/8" and 5/8" thread

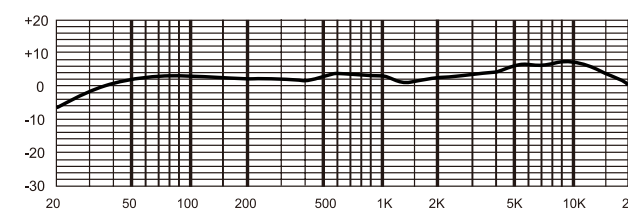
Specifications:

Acoustic Principle:	Condenser
Polar Pattern:	Cardioid, Omnidirectional, Bidirectional
Diaphragm:	34mm(1.3")
Frequency Response:	20-20,000Hz
Sensitivity:	-33±3dB (0dB=1V/Pa @ 1KHz)
SN:	80dB and more
Output Impedance:	200 Ohm
Power Requirement:	24V or 48V Phantom
Cable Length:	3m(10ft)
Dimensions:	207 x 115 x 185mm(8.1" x 4.5" x 7.3")
Weight:	812g (29 oz)

Polar Pattern



Frequency Response



Maintaining Your Microphone

- Keep your microphone away from dust, moisture, or water.
- To clean the housing, wipe with a dry micro-fiber cloth to remove dust.
- Store your microphone in the included pouch to protect it from dirt and dust.

Important Safety Information

- Make sure that you follow all safety notes.
- Keep these instructions for use in a safe place. If you sell the equipment or pass it on to someone else, you should also pass on these instructions for use.

Marking on the devices

Waste disposal and protection of the environment
Electric and electronic appliances, as well as batteries, must not be disposed of together with domestic waste. The user is legally obliged to return electric and electronic appliances as well as batteries to specially set up public collecting points or the sales outlet once they have reached the end of their service life. Details are regulated by national law. The symbol on the product, the instructions for use, or the packaging refers to these provisions. The recycling of waste equipment/batteries is an important contribution to the protection of our environment.

Danger of fire and short-circuit

- Do not operate the device with wet hands.
- Clean the equipment only in the way described in Maintaining Your Microphone.
- Take care to avoid dropping the equipment. Make sure that the device is properly fastened and reliably mounted. If the device has been dropped, have it inspected by a skilled technician before you switch it on again.
- Should the equipment be damaged or defective, or if you notice a scorching smell, remove the batteries immediately. Do not operate the device with a damaged housing and do not repair the device yourself. Have the device only repaired by a skilled service person.

www.boya-mic.com

SHENZHEN JIAYZ PHOTO INDUSTRIAL., LTD.

The BOYA logo is a trademark which is registered and owned by Shenzhen Jiayz Photo Industrial., Ltd.
COPY RIGHT 2010-2020
Email: sales@boya-mic.com
www.boya-mic.com / www.jiayz.com

jiayz™

深圳市长丰影像器材有限公司

产品/零件名称	BY-M1000说明书	比例	1 : 1	版本	V01
工程图号	BY-M1000说明书V01	物料描述	105g双铜纸 双面印刷 5折页		
物料编号	1F14015BY0151	尺寸/用量	尺寸：100x160mm	1PCS	
制图人/日期	吴蒙蒙/2019-5-7	审核/日期			