



**IRONWOLF**  
**NAS**

SATA Product Manual

**Standard 512E model**

ST14000VN0008

ST12000VN0008

ST10000VN0008

100835908, Rev. C  
Gen 2 - June 2018

## Document Revision History

| Revision | Date       | Pages affected and Description of changes  |
|----------|------------|--|
| Rev. A   | 05/17/2018 | Initial release.   |
| Rev. B   | 05/21/2018 | 7 & 9: Updated Sustained Data Transfer Rate to 210 MiB/s (220MB/s)   |
| Rev. C   | 06/18/2018 | 7-8 & 14: Added cross reference to rated MTBF device operating condition requirements<br>21: Revised Table 7: Taiwan - Restricted Substances to latest BSMI requirements |

**© 2018 Seagate Technology LLC. All rights reserved.**

Publication number: 100835908, Rev. C June 2018

Seagate, Seagate Technology and the Spiral logo are registered trademarks of Seagate Technology LLC in the United States and/or other countries. IronWolf, PowerChoice and SeaTools are either trademarks or registered trademarks of Seagate Technology LLC or one of its affiliated companies in the United States and/or other countries. The FIPS logo is a certification mark of NIST, which does not imply product endorsement by NIST, the U.S., or Canadian governments. All other trademarks or registered trademarks are the property of their respective owners.

No part of this publication may be reproduced in any form without written permission of Seagate Technology LLC.

Call 877-PUB-TEK1 (877-782-8351) to request permission.

When referring to drive capacity, one gigabyte, or GB, equals one billion bytes and one terabyte, or TB, equals one trillion bytes. Your computer's operating system may use a different standard of measurement and report a lower capacity. In addition, some of the listed capacity is used for formatting and other functions, and thus will not be available for data storage. Actual quantities will vary based on various factors, including file size, file format, features and application software. Actual data rates may vary depending on operating environment and other factors. The export or re-export of hardware or software containing encryption may be regulated by the U.S. Department of Commerce, Bureau of Industry and Security (for

# Contents

|  |          |
|--|----------|
| <b>Seagate® Technology Support Services</b> .....                                | <b>4</b> |
| <hr/>  |          |
| <b>1.0 Introduction</b> .....  | <b>5</b> |
| 1.1 About the Serial ATA interface .....   | 6        |
| <hr/>  |          |
| <b>2.0 Drive specifications</b> .....  | <b>7</b> |
| 2.1 Specification summary tables .....   | 7        |
| 2.2 Formatted capacity .....   | 9        |
| 2.2.1 LBA mode .....   | 9        |
| 2.3 Recording and interface technology .....                                     | 9        |
| 2.4 Start/stop times .....   | 9        |
| 2.5 Power specifications .....   | 10       |
| 2.5.1 Power consumption .....  | 10       |
| 2.5.2 Conducted noise .....  | 12       |
| 2.5.3 Voltage tolerance .....  | 12       |
| 2.5.4 Extended Power Conditions - PowerChoice™ .....                             | 12       |
| 2.6 Environmental limits .....   | 14       |
| 2.6.1 Humidity .....   | 14       |
| 2.6.2 Shock .....  | 15       |
| 2.6.3 Vibration .....  | 15       |
| 2.7 Acoustics .....  | 16       |
| 2.8 Test for Prominent Discrete Tones (PDTs) .....                               | 16       |
| 2.9 Electromagnetic immunity .....   | 16       |
| 2.10 Reliability .....   | 17       |
| 2.10.1 Annualized Failure Rate (AFR) and Mean Time Between Failures (MTBF) ..... | 17       |
| 2.11 Agency and Safety Certifications .....                                      | 17       |
| 2.11.1 Safety certification .....  | 17       |
| 2.11.2 Regulatory Models .....   | 17       |
| 2.11.3 European Union (EU) CE Marking Requirements .....                         | 18       |
| 2.11.4 Australian RCM Compliance Mark .....                                      | 18       |
| 2.11.5 Canada ICES-003 .....   | 18       |
| 2.11.6 South Korean KC Certification Mark .....                                  | 18       |
| 2.11.7 Morocco Commodity Mark .....  | 18       |
| 2.11.8 Taiwanese BSMI .....  | 19       |
| 2.11.9 FCC verification .....  | 19       |
| 2.12 Environmental protection .....  | 20       |
| 2.12.1 European Union Restriction of Hazardous Substance Law .....               | 20       |
| 2.12.2 China Requirements — China RoHS 2 .....                                   | 20       |
| 2.12.3 Taiwan Requirements — Taiwan RoHS .....                                   | 21       |
| 2.13 Corrosive environment .....   | 21       |
| 2.14 Reference documents .....   | 22       |
| 2.15 Product warranty .....  | 22       |

---

|            |   |           |
|------------|---|-----------|
| <b>3.0</b> | <b>Configuring and mounting the drive</b> ..... | <b>23</b> |
| 3.1        | Handling and static-discharge precautions ..... | 23        |
| 3.2        | Configuring the drive .....                     | 23        |
| 3.3        | Serial ATA cables and connectors .....          | 23        |
| 3.4        | Drive mounting .....                            | 24        |
| 3.4.1      | Mechanical specifications .....                 | 24        |

---

|            |  |           |
|------------|--|-----------|
| <b>4.0</b> | <b>Serial ATA (SATA) interface</b> .....               | <b>25</b> |
| 4.1        | Hot-Plug compatibility .....                           | 25        |
| 4.2        | Serial ATA device plug connector pin definitions ..... | 25        |
| 4.3        | Supported ATA commands .....                           | 26        |
| 4.3.1      | Identify Device Data log .....                         | 29        |
| 4.3.2      | Device Statistics log .....                            | 42        |
| 4.3.3      | Set Features command .....                             | 44        |
| 4.3.4      | S.M.A.R.T. commands .....                              | 45        |

# Seagate® Technology Support Services

For information regarding online support and services, visit: <http://www.seagate.com/contacts/>

For information regarding Warranty Support, visit: <http://www.seagate.com/support/warranty-and-replacements/>

For information regarding data recovery services, visit: <http://www.seagate.com/services-software/recover/>

For Seagate OEM, Distribution partner and reseller portals, visit: <http://www.seagate.com/partners/>

## 1.1 Introduction

This manual describes the functional, mechanical and interface specifications for the following: Seagate® IronWolf® Serial ATA drive models.

**Table 1: Models**

| Standard 512E models |
|----------------------|
| ST14000VN0008        |
| ST12000VN0008        |
| ST10000VN0008        |

These drives provide the following key features:

- 256 MB data buffer.
- 7200 RPM spindle speed.
- Full-track multiple-sector transfer capability without local processor intervention.
- High instantaneous (burst) data-transfer rates (up to 600MB per second).
- Native Command Queuing with command ordering to increase performance in demanding applications.
- PowerChoice™ for selectable power savings
- Perpendicular recording technology provides the drives with increased areal density.
- SeaTools™ diagnostic software performs a drive self-test that eliminates unnecessary drive returns.
- State-of-the-art cache and on-the-fly error-correction algorithms.
- Support for S.M.A.R.T. drive monitoring and reporting.
- Supports latching SATA cables and connectors.
- Top Cover Attached motor for excellent vibration tolerance
- Worldwide Name (WWN) capability uniquely identifies the drive.

**NOTE** Seagate recommends validating the configuration with the selected HBA/RAID controller manufacturer to ensure use of full capacity is supported.

### 1.1.1 About the Serial ATA interface

The Serial ATA interface provides several advantages over the traditional (parallel) ATA interface. The primary advantages include:

- Easy installation and configuration with true plug-and-play connectivity. It is not necessary to set any jumpers or other configuration options.
- Thinner and more flexible cabling for improved enclosure airflow and ease of installation.
- Scalability to higher performance levels.

In addition, Serial ATA makes the transition from parallel ATA easy by providing legacy software support. Serial ATA was designed to allow users to install a Serial ATA host adapter and Serial ATA disk drive in the current system and expect all of the existing applications to work as normal.

The Serial ATA interface connects each disk drive in a point-to-point configuration with the Serial ATA host adapter. There is no master/slave relationship with Serial ATA devices like there is with parallel ATA. If two drives are attached on one Serial ATA host adapter, the host operating system views the two devices as if they were both “masters” on two separate ports. This essentially means both drives behave as if they are Device 0 (master) devices.

**NOTE** The host adapter may, optionally, emulate a master/slave environment to host software where two devices on separate Serial ATA ports are represented to host software as a Device 0 (master) and Device 1 (slave) accessed at the same set of host bus addresses. A host adapter that emulates a master/slave environment manages two sets of shadow registers. This is not a typical Serial ATA environment.

The Serial ATA host adapter and drive share the function of emulating parallel ATA device behavior to provide backward compatibility with existing host systems and software. The Command and Control Block registers, PIO and DMA data transfers, resets, and interrupts are all emulated.

The Serial ATA host adapter contains a set of registers that shadow the contents of the traditional device registers, referred to as the Shadow Register Block. All Serial ATA devices behave like Device 0 devices. For additional information about how Serial ATA emulates parallel ATA, refer to the “Serial ATA: High Speed Serialized AT Attachment” specification. The specification can be downloaded from [www.serialata.org](http://www.serialata.org).

## 1.2 Drive specifications

Unless otherwise noted, all specifications are measured under ambient conditions, at 25°C, and nominal power. For convenience, the phrases *the drive* and *this drive* are used throughout this manual to indicate the IronWolf Serial ATA drive models.

### 1.2.1 Specification summary tables

The specifications listed in the following tables are for quick reference. For details on specification measurement or definition, see the appropriate section of this manual.

**Table 2 Drive specifications summary**

| Drive specification                         | ST14000VN0008   | ST12000VN0008 | ST10000VN0008 |
|---|---|---------------|---------------|
| Formatted (512 bytes/sector)*               | 14TB  | 12TB          | 10TB          |
| Guaranteed sectors                          | (see <a href="#">Section 1.2.2</a> )                                  |               |               |
| Heads                                       | 16  | 15            | 13            |
| Discs                                       | 8   |               |               |
| Bytes per logical sector                    | 512   |               |               |
| Bytes per physical sector                   | 4096  |               |               |
| Recording density, KBPI (Kb/in max)         | 2426  |               |               |
| Track density, KTPI (ktracks/in avg.)       | 436   |               |               |
| Areal density, (Gb/in <sup>2</sup> avg)     | 1058  |               |               |
| Spindle speed (RPM)                         | 7200  |               |               |
| Internal data transfer rate (Mb/s max)      | 2833  |               |               |
| Sustained data transfer rate OD (MiB/s max) | 210 (220 MB/s max)  |               |               |
| I/O data-transfer rate (MB/s max)           | 600   |               |               |
| ATA data-transfer modes supported           | PIO modes 0–4<br>Multiword DMA modes 0–2<br>Ultra DMA modes 0–6       |               |               |
| Cache buffer                                | 256MB (262,144KB)   |               |               |
| Weight: (maximum)                           | 690g (1.521 lb)   |               |               |
| Average latency                             | 4.16ms  |               |               |
| Power-on to ready (sec) (typ/max)           | 23/30   |               |               |
| Standby to ready (sec) (typ/max)            | 23/30   |               |               |
| Startup current (typical) 12V (peak)        | 1.8A  |               |               |
| Voltage tolerance (including noise)         | 5V ± 5%<br>12V ± 10%  |               |               |
| Operating drive temperature*                | 5° to 70°C (Drive Reported Temperature)                               |               |               |
| Non-Operating temperature                   | –40° to 70°C (Ambient Temperature, see sections 1.2.6.0.1 and 1.2.15) |               |               |



| Drive specification  | ST14000VN0008   | ST12000VN0008 | ST10000VN0008 |
|--|---|---------------|---------------|
| Temperature gradient (°C per hour max)                               | 20°C (operating)<br>30°C (nonoperating)   |               |               |
| Relative humidity*   | 5% to 95% (operating)<br>5% to 95% (nonoperating)   |               |               |
| Relative humidity gradient   | 30% per hour max  |               |               |
| Altitude, operating  | -304.8 m to 3,048 m<br>(-1000 ft to 10,000+ ft)   |               |               |
| Altitude, nonoperating (below mean sea level, max)                   | -304.8 m to 12,192 m<br>(-1000 ft to 40,000+ ft)  |               |               |
| Operational Shock (max at 2 ms - typical)                            | Read 70 Gs / Write 40 Gs  |               |               |
| Non-Operational Shock (max at 2 ms - typical)                        | 250 Gs  |               |               |
| Vibration, operating   | 5-22 Hz: 0.25 Gs, Limited displacement<br>22-350 Hz: 0.50 Gs<br>350-500 Hz: 0.25 Gs   |               |               |
| Operation Rotational vibration                                       | 20-1500Hz: 12.5 rads/s <sup>2</sup>   |               |               |
| Vibration, nonoperating  | 2-500 Hz: 2.27 Grms ref   |               |               |
| Drive acoustics, sound power (bels)                                  | <p>Idle</p> <p>1.8 (typical)<br/>2.0 (max)<br/>During periods of drive idle, some offline activity may occur according to the SMART specification, which may increase acoustic and power to operational levels.</p> <p>Performance seek</p> <p>2.6 (typical)<br/>2.8 (max)</p>  |               |               |
| Nonrecoverable read errors   | 1 sector per 10 <sup>15</sup> bits read   |               |               |
| Annualized Failure Rate (AFR)*                                       | 0.87% based on 8760 POH   |               |               |
| Maximum Rated Workload*  | <p>Maximum rate of &lt;180TB/year</p> <p>Workloads exceeding the annualized rate may degrade the drive MTBF and impact product reliability. The Annualized Workload Rate is in units of TB per year, or TB per 8760 power on hours. Workload Rate = TB transferred * (8760 / recorded power on hours).</p>  |               |               |
| Warranty   | <p>To determine the warranty for a specific drive, use a web browser to access the following web page: <a href="http://www.seagate.com/support/warranty-and-replacements/">http://www.seagate.com/support/warranty-and-replacements/</a>.</p> <p>From this page, click on the "Is my Drive under Warranty" link. The following are required to be provided: the drive serial number, model number (or part number) and country of purchase. The system will display the warranty information for the drive.</p> |               |               |
| Load-unload cycles   | 600,000   |               |               |
| Supports Hotplug operation per Serial ATA Revision 3.3 specification | Yes   |               |               |

\*See [Section 1.2.10, "Reliability"](#) for rated MTBF device operating condition requirements.

## 1.2.2 Formatted capacity

| ST models     | Formatted capacity* | Guaranteed sectors | Bytes per logical sector |
|---------------|---------------------|--------------------|--------------------------|
| ST14000VN0008 | 14TB                | 27,344,764,928     | 512E                     |
| ST12000VN0008 | 12TB                | 23,437,770,752     |                          |
| ST10000VN0008 | 10TB                | 19,532,873,728     |                          |

\*One GB equals one billion bytes when referring to hard drive capacity.  
Accessible capacity may vary depending on operating environment and formatting.

**NOTE** LBA Counts for drive capacities greater than 8TB are calculated based upon the SFF-8447 standard publication. <ftp://ftp.seagate.com/sff/SFF-8447.PDF>

### 1.2.2.1 LBA mode

When addressing these drives in LBA mode, all blocks (sectors) are consecutively numbered from 0 to  $n-1$ , where  $n$  is the number of guaranteed sectors as defined above.

See [Section 1.4.3.1, "Identify Device Data log"](#) (words 60-61 and 100-103) for additional information about 48-bit addressing support of drives with capacities over 137GB.

## 1.2.3 Recording and interface technology

|  |                        |
|--|------------------------|
| Interface                                | Serial ATA (SATA)      |
| Recording method                         | Perpendicular          |
| Recording density, KBPI (Kb/in max)      | 2426                   |
| Track density, KTPI (ktracks/in avg)     | 436                    |
| Areal density (Gb/in <sup>2</sup> avg)   | 1058                   |
| Spindle speed (RPM) ( $\pm$ 0.2%)        | 7200                   |
| Internal data transfer rate (Mb/s max)   | 2833                   |
| Sustained data transfer rate (MiB/s max) | 210                    |
| I/O data-transfer rate (MB/s max)        | 600 (Ultra DMA mode 5) |

## 1.2.4 Start/stop times

|                                   |       |
|-----------------------------------|-------|
| Power-on to Ready (sec) (typ/max) | 23/30 |
| Standby to Ready (sec) (typ/max)  | 23/30 |
| Ready to spindle stop (sec) (max) | 20    |

## 1.2.5 Power specifications

The drive receives DC power (+5V or +12V) through a native SATA power connector. [See Figure 2 on page 23](#).

### 1.2.5.1 Power consumption

Power requirements for the drives are listed in [Table 3](#). Typical power measurements are based on an average of drives tested, under nominal conditions, using 5.0V and 12.0V input voltage at 25°C ambient temperature.

**Table 3 DC power requirements**

|   |                              | 6.0Gb mode |       |       |
|---|------------------------------|------------|-------|-------|
| Voltage                                     |                              | +5V        | +12V  | Watts |
| Regulation                                  |                              | ± 5%       | ± 10% | Total |
| Avg Idle Current *                          |                              | 0.297      | 0.299 | 5.07  |
| Advanced Idle Current *                     |                              |            |       |       |
|   | Idle_A                       | 0.267      | 0.295 | 4.88  |
|   | Idle_B                       | 0.203      | 0.185 | 3.24  |
|   | Idle_C                       | 0.20       | 0.127 | 2.52  |
|   | Standby                      | 0.193      | 0.017 | 1.17  |
| Maximum Start Current                       |                              |            |       |       |
|   | DC (peak DC)                 | 1.078      | 1.672 | 25.45 |
|   | AC (Peak DC)                 | 1.128      | 2.06  |       |
|   | Delayed motor start (max) DC |            |       |       |
| Operating current (random read 4K16Q):      |                              |            |       |       |
|   | Typical DC                   | 0.454      | 0.405 | 7.14  |
|   | Maximum DC                   | 0.472      | 0.415 |       |
|   | Maximum DC (peak)            | 1.32       | 2.305 |       |
| Operating current (random write 4K16Q)      |                              |            |       |       |
|   | Typical DC                   | 0.317      | 0.385 | 6.20  |
|   | Maximum DC                   | 0.326      | 0.388 |       |
|   | Maximum DC (peak)            | 0.791      | 1.425 |       |
| Operating current (sequential read 64K16Q)  |                              |            |       |       |
|   | Typical DC                   | 0.90       | 0.319 | 8.33  |
|   | Maximum DC                   | 0.919      | 0.324 |       |
|   | Maximum DC (peak)            | 1.183      | 0.601 |       |
| Operating current (sequential write 64K16Q) |                              |            |       |       |
|   | Typical DC                   | 0.752      | 0.319 | 7.59  |
|   | Maximum DC                   | 0.756      | 0.324 |       |
|   | Maximum DC (peak)            | 0.89       | 1.824 |       |

\*During periods of drive idle, some offline activity may occur according to the S.M.A.R.T. specification, which may increase acoustic and power to operational levels

### 1.2.5.1.1 Typical current profiles



Figure 1. Typical 5V and 12V startup and operation current profiles

### 1.2.5.2 Conducted noise

Noise is specified as a periodic and random distribution of frequencies covering a band from DC to 10 MHz. Maximum allowed noise values given below are peak-to-peak measurements and apply at the drive power connector.

|      |   |   |
|------|---|---|
| +5v  | = | 250 mV pp from 100 Hz to 20 MHz.  |
| +12v | = | 800 mV pp from 100 Hz to 8 KHz.<br>450 mV pp from 8 KHz to 20 KHz.<br>250 mV pp from 20 KHz to 5 MHz. |

### 1.2.5.3 Voltage tolerance

Voltage tolerance (including noise):

5V  $\pm$  5%    12V  $\pm$  10%

### 1.2.5.4 Extended Power Conditions - PowerChoice™

Utilizing the load/unload architecture a programmable power management interface is provided to tailor systems for reduced power consumption and performance requirements.

The table below lists the supported power conditions available in PowerChoice. Power conditions are ordered from highest power consumption (and shortest recovery time) to lowest power consumption (and longest recovery time) as follows: Idle\_a power  $\geq$  Idle\_b power  $\geq$  Idle\_c power  $\geq$  Standby\_z power. The further users go down in the table, the more power savings is actualized. For example, Idle\_b results in greater power savings than the Idle\_a power condition. Standby results in the greatest power savings.

| Power Condition Name | Power Condition ID | Description  |
|----------------------|--------------------|--|
| Idle_a               | 81 <sub>H</sub>    | Reduced electronics                                |
| Idle_b               | 82 <sub>H</sub>    | Heads unloaded. Disks spinning at full RPM         |
| Idle_c               | 83 <sub>H</sub>    | Heads unloaded. Disks spinning at reduced RPM      |
| Standby_z            | 00 <sub>H</sub>    | Heads unloaded. Motor stopped (disks not spinning) |

Each power condition has a set of current, saved and default settings. Default settings are not modifiable. Default and saved settings persist across power-on resets. The current settings do not persist across power-on resets. At the time of manufacture, the default, saved and current settings are in the Power Conditions log match.

#### PowerChoice is invoked using one of two methods

- Automatic power transitions which are triggered by expiration of individual power condition timers. These timer values may be customized and enabled using the Extended Power Conditions (EPC) feature set using the standardized Set Features command interface.
- Immediate host commanded power transitions may be initiated using an EPC Set Features "Go to Power Condition" subcommand to enter any supported power condition. Legacy power commands Standby Immediate and Idle Immediate also provide a method to directly transition the drive into supported power conditions.

#### PowerChoice exits power saving states under the following conditions

- Any command which requires the drive to enter the PM0: Active state (media access)
- Power on reset

### PowerChoice provides the following reporting methods for tracking purposes

Check Power Mode Command

- Reports the current power state of the drive

Identify Device Command

- EPC Feature set supported flag
- EPC Feature enabled flag is set if at least one Idle power condition timer is enabled

Power Condition Log reports the following for each power condition

- Nominal recovery time from the power condition to active
- If the power condition is Supported, Changeable, and Savable
- Default enabled state, and timer value
- Saved enabled state, and timer value
- Current enabled state, and timer value

### S.M.A.R.T. Read Data Reports

- Attribute 192 - Emergency Retract Count
- Attribute 193 - Load/Unload Cycle Count

### PowerChoice Manufacture Default Power Condition Timer Values

Default power condition timer values have been established to assure product reliability and data integrity. A minimum timer value threshold of two minutes ensures the appropriate amount of background drive maintenance activities occur. Attempting to set a timer values less than the specified minimum timer value threshold will result in an aborted EPC "Set Power Condition Timer" subcommand.

| Power Condition Name | Manufacturer Default Timer Values |
|----------------------|-----------------------------------|
| Idle_a               | 100 ms                            |
| Idle_b               | 2 min                             |
| Idle_c               | 4 min                             |
| Standby_z            | 15 min                            |

Setting power condition timer values less than the manufacturer specified defaults or issuing the EPC "Go to Power Condition" subcommand at a rate exceeding the default timers may limit this products reliability and data integrity.

### PowerChoice Supported Extended Power Condition Feature Subcommands

| EPC Subcommand  | Description                      |
|-----------------|----------------------------------|
| 00 <sub>H</sub> | Restore Power Condition Settings |
| 01 <sub>H</sub> | Go to Power Condition            |
| 02 <sub>H</sub> | Set Power Condition Timer        |
| 03 <sub>H</sub> | Set Power Condition State        |
| 04 <sub>H</sub> | Enable EPC Feature Set           |
| 05 <sub>H</sub> | Disable EPC Feature Set          |

## PowerChoice Supported Extended Power Condition Identifiers

| Power Condition Identifiers | Power Condition Name     |
|-----------------------------|--------------------------|
| 00 <sub>H</sub>             | Standby_z                |
| 01 - 80 <sub>H</sub>        | Reserved                 |
| 81 <sub>H</sub>             | Idle_a                   |
| 82 <sub>H</sub>             | Idle_b                   |
| 83 <sub>H</sub>             | Idle_c                   |
| 84 - FE <sub>H</sub>        | Reserved                 |
| FF <sub>H</sub>             | All EPC Power Conditions |

### 1.2.6 Environmental limits

Temperature and humidity values experienced by the drive must be such that condensation does not occur on any drive part. Altitude and atmospheric pressure specifications are referenced to a standard day at 58.7°F (14.8°C).

**NOTE** To maintain optimal performance drives should be run at nominal drive temperatures and humidity.

See [Section 1.2.10, "Reliability"](#) for rated MTBF device operating condition requirements.

#### 1.2.6.0.1 Temperature

##### a. Operating

41°F to 158°F (5°C to 70°C) temperature range with a maximum temperature gradient of 36°F (20°C) per hour as reported by the drive.

The maximum allowable drive reported temperature is 140°F (60°C).

Air flow may be required to achieve consistent nominal drive temperature values (see [Section 1.3.4](#)). To confirm that the required cooling is provided for the electronics and HDA, place the drive in its final mechanical configuration, and perform random write/read operations. After the temperatures stabilize, monitor the current drive temperature using the SMART temperature attribute 194 or Device Statistics log 04h page 5.

##### b. Non-operating

–40° to 158°F (–40° to 70°C) package ambient with a maximum gradient of 36°F (20°C) per hour. This specification assumes that the drive is packaged in the shipping container designed by Seagate for use with drive.

#### 1.2.6.1 Humidity

The values below assume that no condensation on the drive occurs. Maximum wet bulb temperature is 84.2°F (29°C).

##### 1.2.6.1.1 Relative humidity

|               |   |
|---------------|---|
| Operating:    | 5% to 95% non-condensing relative humidity with a maximum gradient of 20% per hour. |
| Nonoperating: | 5% to 95% non-condensing relative humidity with a maximum gradient of 20% per hour. |

##### 1.2.6.1.2 Effective Altitude (sea level)

|               |   |
|---------------|---|
| Operating:    | –304.8 m to 3048 m (–1000 ft. to 10,000+ ft.)   |
| Nonoperating: | –304.8 m to 12,192 m (–1000 ft. to 40,000+ ft.) |

**1.2.6.2 Shock**

All shock specifications assume that the drive is mounted securely with the input shock applied at the drive mounting screws. Shock may be applied in the X, Y or Z axis.

**1.2.6.2.1 Operating shock**

These drives comply with the performance levels specified in this document when subjected to a maximum operating shock of 70 Gs (read) and 40 Gs (write) based on half-sine shock pulses of 2ms. Shocks should not be repeated more than two times per second.

**1.2.6.2.2 Nonoperating shock**

The nonoperating shock level that the drive can experience without incurring physical damage or degradation in performance when subsequently put into operation is 250 Gs based on a nonrepetitive half-sine shock pulse of 2ms duration.

**1.2.6.3 Vibration**

All vibration specifications assume that the drive is mounted securely with the input vibration applied at the drive mounting screws. Vibration may be applied in the X, Y or Z axis.

**1.2.6.3.1 Operating vibration**

The maximum vibration levels that the drive may experience while meeting the performance standards specified in this document are specified below.

|                        |                                 |
|------------------------|---------------------------------|
| 5–22 Hz                | 0.25 Gs                         |
| 22–350 Hz              | 0.50 Gs                         |
| 350–500 Hz             | 0.25 Gs                         |
| 20 - 1500Hz<br>*(RROV) | 12.5 rads/s <sup>2</sup> w/RVFF |

\* Rotary Random Operating Vibration

**1.2.6.3.2 Nonoperating vibration**

The maximum nonoperating vibration levels that the drive may experience without incurring physical damage or degradation in performance when subsequently put into operation are specified below.

|                           |               |
|---------------------------|---------------|
| 2–500 Hz<br>Linear Random | 2.27 Grms ref |
|---------------------------|---------------|

|                    |      |     |     |      |
|--------------------|------|-----|-----|------|
| Freq (Hz)          | 2    | 4   | 100 | 500  |
| G <sup>2</sup> /Hz | .001 | .03 | .03 | .001 |



## 1.2.7 Acoustics

Drive acoustics are measured as overall A-weighted acoustic sound power levels (no pure tones). All measurements are consistent with ISO document 7779. Sound power measurements are taken under essentially free-field conditions over a reflecting plane. For all tests, the drive is oriented with the cover facing upward.

**NOTE** For seek mode tests, the drive is placed in seek mode only. The number of seeks per second is defined by the following equation:  
(Number of seeks per second =  $0.4 / (\text{average latency} + \text{average access time})$ )

**Table 4 Fluid Dynamic Bearing (FDB) motor acoustics**

|            | Idle*                            | Performance seek                 |
|------------|----------------------------------|----------------------------------|
| All models | 1.8 bels (typ)<br>2.0 bels (max) | 2.6 bels (typ)<br>2.8 bels (max) |

\*During periods of drive idle, some offline activity may occur according to the S.M.A.R.T. specification, which may increase acoustic and power to operational levels.

## 1.2.8 Test for Prominent Discrete Tones (PDTs)

Seagate follows the ECMA-74 standards for measurement and identification of PDTs. An exception to this process is the use of the absolute threshold of hearing. Seagate uses this threshold curve (originated in ISO 389-7) to discern tone audibility and to compensate for the inaudible components of sound prior to computation of tone ratios according to Annex D of the ECMA-74 standards.

## 1.2.9 Electromagnetic immunity

When properly installed in a representative host system, the drive operates without errors or degradation in performance when subjected to the radio frequency (RF) environments defined in the following table:

**Table 5 Radio frequency environments**

| Test                      | Description   | Performance level | Reference standard                |
|---------------------------|---|-------------------|-----------------------------------|
| Electrostatic discharge   | Contact, HCP, VCP: $\pm 4$ kV; Air: $\pm 8$ kV  | B                 | EN 61000-4-2: 95                  |
| Radiated RF immunity      | 80 to 1000 MHz, 3 V/m,<br>80% AM with 1 kHz sine<br>900 MHz, 3 V/m, 50% pulse modulation @ 200 Hz | A                 | EN 61000-4-3: 96<br>ENV 50204: 95 |
| Electrical fast transient | $\pm 1$ kV on AC mains, $\pm 0.5$ kV on external I/O  | B                 | EN 61000-4-4: 95                  |
| Surge immunity            | $\pm 1$ kV differential, $\pm 2$ kV common, AC mains  | B                 | EN 61000-4-5: 95                  |
| Conducted RF immunity     | 150 kHz to 80 MHz, 3 Vrms, 80% AM with 1 kHz sine   | A                 | EN 61000-4-6: 97                  |
| Voltage dips, interrupts  | 0% open, 5 seconds<br>0% short, 5 seconds<br>40%, 0.10 seconds<br>70%, 0.01 seconds               | C<br>C<br>C<br>B  | EN 61000-4-11: 94                 |

## 1.2.10 Reliability

### 1.2.10.1 Annualized Failure Rate (AFR) and Mean Time Between Failures (MTBF)

The production disk drive shall achieve an annualized failure-rate of 0.87% (MTBF of 1,000,000 hours) over a 5 year service life when used in Enterprise Storage field conditions as limited by the following:

- 8760 power-on hours per year.
- HDA temperature as reported by the drive  $\leq 30^{\circ}\text{C}$
- Ambient wet bulb temp  $\leq 26^{\circ}\text{C}$
- Typical workload
- The AFR (MTBF) is a population statistic not relevant to individual units
- ANSI/ISA S71.04-2013 G2 classification levels and dust contamination to ISO 14644-1 Class 8 standards (as measured at the device)

The MTBF specification for the drive assumes the operating environment is designed to maintain nominal drive temperature and humidity. Occasional excursions in operating conditions between the rated MTBF conditions and the maximum drive operating conditions may occur without significant impact to the rated MTBF. However continual or sustained operation beyond the rated MTBF conditions will degrade the drive MTBF and reduce product reliability.

|                            |   |
|----------------------------|---|
| Nonrecoverable read errors | 1 per $10^{15}$ bits read, max  |
| Load unload cycles         | 600,000 cycles  |
| Maximum Rated Workload     | Maximum rate of $<180\text{TB/year}$<br>Workloads exceeding the annualized rate may degrade the drive MTBF and impact product reliability. The Annualized Workload Rate is in units of TB per year, or TB per 8760 power on hours.<br>Workload Rate = TB transferred * (8760 / recorded power on hours).  |
| Warranty                   | To determine the warranty for a specific drive, use a web browser to access the following web page: <a href="http://www.seagate.com/support/warranty-and-replacements/">http://www.seagate.com/support/warranty-and-replacements/</a> .<br>From this page, click on the "Is my Drive under Warranty" link. The following are required to be provided: the drive serial number, model number (or part number) and country of purchase. The system will display the warranty information for the drive. |
| Preventive maintenance     | None required.  |

### 1.2.11 Agency and Safety Certifications

Each Hard Drive and Solid State Drive ("drives") has a product label that includes certifications that are applicable to that specific drive. The following information provides an overview of requirements that may be applicable to the drive.

#### 1.2.11.1 Safety certification

The drives are recognized in accordance with UL/cUL 62368 -1 and EN 62368 -1.

#### 1.2.11.2 Regulatory Models

The following regulatory model number represent all features and configurations within the series:

Regulatory Model Numbers: STL006

### 1.2.11.3 European Union (EU) CE Marking Requirements

Drives that display the CE mark comply with the European Union (EU) requirements specified in the Electromagnetic Compatibility Directive (2014/30/EU) put into force on 20 April 2016. Testing is performed to the levels specified by the product standards for Information Technology Equipment (ITE). Emission levels are defined by EN 55032:2012, Class B and the immunity levels are defined by EN 55024:2010.

The drives also meet the requirements of The Low Voltage Directive (LVD) 2014/35/EU.

Seagate drives are tested in representative end-user systems. Although CE-marked Seagate drives comply with all relevant regulatory requirements and standards for the drives, Seagate cannot guarantee that all system-level products into which the drives are installed comply with all regulatory requirements and standards applicable to the system-level products. The drive is designed for operation inside a properly designed system (e.g., enclosure designed for the drive), with properly shielded I/O cable (if necessary) and terminators on all unused I/O ports. Computer manufacturers and system integrators should confirm EMC compliance and provide CE marking for the system-level products.

For compliance with the RoHS "Recast" Directive 2011/65/EU (RoHS 2), See ["European Union Restriction of Hazardous Substance Law" on page 20.](#)

### 1.2.11.4 Australian RCM Compliance Mark

If these models have the RCM marking, they comply with the Australia/New Zealand Standard AS/NZ CISPR32 and meet the Electromagnetic Compatibility (EMC) Framework requirements of the Australian Communication and Media Authority (ACMA).

### 1.2.11.5 Canada ICES-003

If this model has the ICES-003:2016 marking it complies with requirements of ICES tested per ANSI C63.4-2014.

### 1.2.11.6 South Korean KC Certification Mark

The South Korean KC Certification Mark means the drives comply with paragraph 1 of Article 11 of the Electromagnetic Compatibility control Regulation and meet the Electromagnetic Compatibility (EMC) Framework requirements of the Radio Research Agency (RRA) Communications Commission, Republic of Korea. These drives have been tested and comply with the Electromagnetic Interference/Electromagnetic Susceptibility (EMI/EMS) for Class B products. Drives are tested in a representative, end-user system by a Korean-recognized lab.

| 기종별                    | 사용자안내문   |
|------------------------|--|
| B급 기기<br>(가정용 방송통신기자재) | 이 기기는 가정용(B급) 전자파적합기기로서 주로 가정에서 사용하는 것을 목적으로 하며, 모든 지역에서 사용할 수 있습니다. |

### 1.2.11.7 Morocco Commodity Mark

To satisfy our OEM customers, Seagate has added the Moroccan Commodity Mark to the drives provided to the OEM for the sale of Customer Kits produced by our OEM customers that are intended to be incorporated into the OEM's finished system-level product by an end user. The Customer Kits are considered 'devices' under Morocco's Order of the Minister of Industry, Trade, Investment and Digital Economy No. 2574-14 of 29 Ramadan 1436 (16 July 2015) on electromagnetic compatibility of equipment.

Seagate drives are tested for compliance and complies with the European Union (EU) Electromagnetic Compatibility (EMC) Directive 2014/30/EU and the Low Voltage Directive (LVD) 2014/35/EU. Accordingly, the drives also meets the requirements of Morocco's Order of the Minister of Industry, Trade, Investment and Digital Economy No. 2574-14 of 29 Ramadan 1436 (16 July 2015) on electromagnetic compatibility of equipment.

### 1.2.11.8 Taiwanese BSMI

Drives with the Taiwanese certification mark comply with Chinese National Standard, CNS13438.

For compliance with the Taiwan Bureau of Standards, Metrology and Inspection's (BSMI) requirements, [See "Taiwan Requirements — Taiwan RoHS" on page 21.](#)

### 1.2.11.9 FCC verification

These drives are intended to be contained solely within a personal computer or similar enclosure (not attached as an external device). As such, each drive is considered to be a subassembly even when it is individually marketed to the customer. As a subassembly, no Federal Communications Commission verification or certification of the device is required.

Seagate has tested this device in enclosures as described above to ensure that the total assembly (enclosure, disk drive, motherboard, power supply, etc.) does comply with the limits for a Class B computing device, pursuant to Subpart J, Part 15 of the FCC rules. Operation with noncertified assemblies is likely to result in interference to radio and television reception.

**Radio and television interference.** This equipment generates and uses radio frequency energy and if not installed and used in strict accordance with the manufacturer's instructions, may cause interference to radio and television reception.

This equipment is designed to provide reasonable protection against such interference in a residential installation. However, there is no guarantee that interference will not occur in a particular installation. If this equipment does cause interference to radio or television, which can be determined by turning the equipment on and off, users are encouraged to try one or more of the following corrective measures:

- Reorient the receiving antenna.
- Move the device to one side or the other of the radio or TV.
- Move the device farther away from the radio or TV.
- Plug the computer into a different outlet so that the receiver and computer are on different branch outlets.

If necessary, users should consult a dealer or an experienced radio/television technician for additional suggestions. Users may find helpful the following booklet prepared by the Federal Communications Commission: *How to Identify and Resolve Radio-Television Interference Problems*. This booklet is available from the Superintendent of Documents, U.S. Government Printing Office, Washington, DC 20402. Refer to publication number 004-000-00345-4.

## 1.2.12 Environmental protection

Seagate designs its products to meet environmental protection requirements worldwide, including regulations restricting certain chemical substances.

### 1.2.12.1 European Union Restriction of Hazardous Substance Law

#### 1.2.12.1.1 Restriction of Hazardous Substances in Electrical and Electronic Equipment

Seagate drives are designed to be compliant with the European Union RoHS "Recast" Directive 2011/65/EU (RoHS 2) as amended by Directive (EU) 2015/863. The RoHS2 restricts the use of certain hazardous substances such as Lead, Cadmium, Mercury, Hexavalent Chromium, Polybrominated Biphenyls (PBB) and Polybrominated Diphenyl Ether (PBDE), BisBis(2-Ethylhexyl) phthalate (DEHP), Benzyl butyl phthalate (BBP), Dibutyl phthalate (DBP), and Diisobutyl phthalate (DIBP) in electrical and electronic equipment (EEE).

#### 1.2.12.1.2 Substances of Very High Concern (SVHC)

The European Union REACH (Registration, Evaluation, Authorization and Restriction of Chemicals) Regulation (EC) 1907/2006 regulates chemicals shipped into and used in Europe. A number of parts and materials in Seagate products are procured from external suppliers. We rely on the representations of our suppliers regarding the presence of REACH substances in these articles and materials. Our supplier contracts require compliance with our chemical substance restrictions, and our suppliers document their compliance with our requirements by providing full-disclosure material content declarations that disclose inclusion of any REACH-regulated substance in such articles or materials. Product-specific REACH declarations are available upon request through your Seagate Sales Representative.

### 1.2.12.2 China Requirements — China RoHS 2



China RoHS 2 refers to the Ministry of Industry and Information Technology Order No. 32, effective July 1, 2016, titled Management Methods for the Restriction of the Use of Hazardous Substances in Electrical and Electronic Products. To comply with China RoHS 2, Seagate determines this product's Environmental Protection Use Period (EPUP) to be 20 years in accordance with the *Marking for the Restricted Use of Hazardous Substances in Electronic and Electrical Products*, SJ/T 11364-2014.

Table 6 China - Hazardous Substances

| 部件名称<br>Part Name | 有害物质<br>Hazardous Substances |           |           |                            |               |                 |
|-------------------|------------------------------|-----------|-----------|----------------------------|---------------|-----------------|
|                   | 铅<br>(Pb)                    | 汞<br>(Hg) | 镉<br>(Cd) | 六价铬<br>(Cr <sup>+6</sup> ) | 多溴联苯<br>(PBB) | 多溴二苯醚<br>(PBDE) |
| 硬盘驱动器<br>HDD      | X                            | O         | O         | O                          | O             | O               |
| 印刷电路板组装<br>PCBA   | X                            | O         | O         | O                          | O             | O               |

本表格依据 SJ/T 11364 的规定编制。

This table is prepared in accordance with the provisions of SJ/T 11364-2014

O: 表示该有害物质在该部件所有均质材料中的含量均在 GB/T 26572 规定的限量要求以下。

O: Indicates that the hazardous substance contained in all of the homogeneous materials for this part is below the limit requirement of GB/T26572.

X: 表示该有害物质至少在该部件的某一均质材料中的含量超出 GB/T 26572 规定的限量要求。

X: Indicates that the hazardous substance contained in at least one of the homogeneous materials used for this part is above the limit requirement of GB/T26572.

### 1.2.12.3 Taiwan Requirements — Taiwan RoHS

Taiwan RoHS refers to the Taiwan Bureau of Standards, Metrology and Inspection's (BSMI) requirements in standard CNS 15663, Guidance to reduction of the restricted chemical substances in electrical and electronic equipment. Seagate products must comply with the "Marking of presence" requirements in Section 5 of CNS 15663, effective January 1, 2018. This product is Taiwan RoHS compliant.

The following table meets the Section 5 "Marking of presence" requirements.

**Table 7 Taiwan - Restricted Substances**

| 設備名稱：硬碟設備，型號：<br>Equipment Name: Hard Disk Device, Type Designation:  |  |           |           |               |               |                 |
|---|--|-----------|-----------|---------------|---------------|-----------------|
| 單元<br>Unit  | 限用物質及其化學符號<br>Restricted Substance and its chemical symbol |           |           |               |               |                 |
|   | 鉛<br>(Pb)  | 汞<br>(Hg) | 鎘<br>(Cd) | 六價鉻<br>(Cr+6) | 多溴聯苯<br>(PBB) | 多溴二苯醚<br>(PBDE) |
| 頂蓋<br>Top Cover   | —  | 0         | 0         | 0             | 0             | 0               |
| 磁碟<br>Magnetic disk   | —  | 0         | 0         | 0             | 0             | 0               |
| 電機底座組件<br>Motor Base Assembly   | —  | 0         | 0         | 0             | 0             | 0               |
| 印刷電路板組裝<br>PCB Assembly   | —  | 0         | 0         | 0             | 0             | 0               |
| 備考 1. "0" 係指該項限用物質之百分比含量未超出百分比含量基準值。<br><b>Note 1.</b> "0" indicates that the percentage content of the restricted substance does not exceed the percentage of reference value of presence.<br>備考 2. "—" 係指該項限用物質為排除項目。<br><b>Note 2.</b> "—" indicates that the restricted substance corresponds to the exemption. |  |           |           |               |               |                 |

### 1.2.13 Corrosive environment

Seagate electronic drive components pass accelerated corrosion testing equivalent to 10 years exposure to light industrial environments containing sulfurous gases, chlorine and nitric oxide, classes G and H per ASTM B845. However, this accelerated testing cannot duplicate every potential application environment.

Users should use caution exposing any electronic components to uncontrolled chemical pollutants and corrosive chemicals as electronic drive component reliability can be affected by the installation environment. The silver, copper, nickel and gold films used in hard disk drives are especially sensitive to the presence of sulfide, chloride, and nitrate contaminants. Sulfur is found to be the most damaging. Materials used in cabinet fabrication, such as vulcanized rubber, that can outgas corrosive compounds should be minimized or eliminated. The useful life of any electronic equipment may be extended by replacing materials near circuitry with sulfide-free alternatives.

Seagate recommends that data centers be kept clean by monitoring and controlling the dust and gaseous contamination. Gaseous contamination should be within ANSI/ISA S71.04-2013 G2 classification levels (as measured on copper and silver coupons), and dust contamination to ISO 14644-1 Class 8 standards, and MTBF rated conditions as defined in the Annualized Failure Rate (AFR) and Mean Time Between Failure (MTBF) section.

## 1.2.14 Reference documents

### Supported Standards

Serial ATA Revision 3.3 specification

### ANSI Documents

INCITS 522-2014ATA/ATAPI Command Set - 3 (ACS-3)

### *Specification for Acoustic Test Requirement and Procedures*

Seagate part number: 30553-001

In case of conflict between this document and any referenced document, this document takes precedence.

## 1.2.15 Product warranty

Beginning on the date of shipment to the customer and continuing for the period specified in the purchase contract, Seagate warrants that each product (including components and subassemblies) that fails to function properly under normal use due to defect in materials or workmanship or due to nonconformance to the applicable specifications will be repaired or replaced, at Seagate's option and at no charge to the customer, if returned by customer at customer's expense to Seagate's designated facility in accordance with Seagate's warranty procedure. Seagate will pay for transporting the repair or replacement item to the customer. For more detailed warranty information, refer to the standard terms and conditions of purchase for Seagate products on the purchase documentation.

The remaining warranty for a particular drive can be determined by calling Seagate Customer Service at 1-800-468-3472. Users can also determine remaining warranty using the Seagate web site ([www.seagate.com](http://www.seagate.com)). The drive serial number is required to determine remaining warranty information.

## Shipping

When transporting or shipping a drive, use only a Seagate-approved container. Keep the original box. Seagate approved containers are easily identified by the Seagate Approved Package label. Shipping a drive in a non-approved container voids the drive warranty.

Seagate repair centers may refuse receipt of components improperly packaged or obviously damaged in transit. Contact the authorized Seagate distributor to purchase additional boxes. Seagate recommends shipping by an air-ride carrier experienced in handling computer equipment.

## Storage

Maximum storage periods are 180 days within original unopened Seagate shipping package or 60 days unpackaged within the defined non-operating limits (refer to environmental section in this manual). Storage can be extended to 1 year packaged or unpackaged under optimal environmental conditions (25°C, <40% relative humidity non-condensing, and non-corrosive environment). During any storage period the drive non-operational temperature, humidity, wet bulb, atmospheric conditions, shock, vibration, magnetic and electrical field specifications should be followed.

## Product repair and return information

Seagate customer service centers are the only facilities authorized to service Seagate drives. Seagate does not sanction any third-party repair facilities. Any unauthorized repair or tampering with the factory seal voids the warranty.

## 1.3 Configuring and mounting the drive

This section contains the specifications and instructions for configuring and mounting the drive.

### 1.3.1 Handling and static-discharge precautions

After unpacking, and before installation, the drive may be exposed to potential handling and electrostatic discharge (ESD) hazards. Observe the following standard handling and static-discharge precautions:

#### Caution

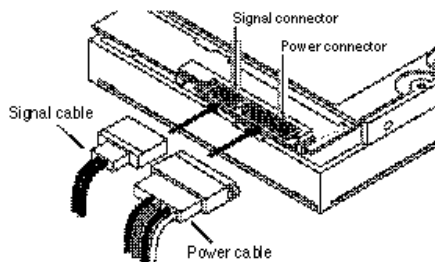
- Before handling the drive, put on a grounded wrist strap, or ground oneself frequently by touching the metal chassis of a computer that is plugged into a grounded outlet. Wear a grounded wrist strap throughout the entire installation procedure.
- Handle the drive by its edges or frame *only*.
- The drive is extremely fragile—handle it with care. Do not press down on the drive top cover.
- Always rest the drive on a padded, antistatic surface until mounting it in the computer.
- Do not touch the connector pins or the printed circuit board.
  - Do not remove the factory-installed labels from the drive or cover them with additional labels. Removal voids the warranty. Some factory-installed labels contain information needed to service the drive. Other labels are used to seal out dirt and contamination.

### 1.3.2 Configuring the drive

Each drive on the Serial ATA interface connects point-to-point with the Serial ATA host adapter. There is no master/slave relationship because each drive is considered a master in a point-to-point relationship. If two drives are attached on one Serial ATA host adapter, the host operating system views the two devices as if they were both “masters” on two separate ports. Both drives behave as if they are Device 0 (master) devices.

### 1.3.3 Serial ATA cables and connectors

The Serial ATA interface cable consists of four conductors in two differential pairs, plus three ground connections. The cable size may be 30 to 26 AWG with a maximum length of one meter (39.37 in).



See [Table 8](#) for connector pin definitions. Either end of the SATA signal cable can be attached to the drive or host.

For direct backplane connection, the drive connectors are inserted directly into the host receptacle. The drive and the host receptacle incorporate features that enable the direct connection to be hot pluggable and blind mateable.

For installations which require cables, users can connect the drive as illustrated in [Figure 2](#).

**Figure 2.** Attaching SATA cabling

Each cable is keyed to ensure correct orientation. IronWolf Serial ATA drives support latching SATA connectors.



### 1.3.4 Drive mounting

Users can mount the drive in any orientation using four screws in the side-mounting holes or four screws in the bottom-mounting holes. See **Figure 3** for drive mounting dimensions. Follow these important mounting precautions when mounting the drive:

- Allow a minimum clearance of 0.030 in (0.76mm) around the entire perimeter of the drive for cooling.
- Use only 6-32 UNC mounting screws.
- The screws should be inserted no more than 0.140 in (3.56mm) into the bottom or side mounting holes.
- Do not overtighten the mounting screws (maximum torque: 6 in-lb).

#### 1.3.4.1 Mechanical specifications

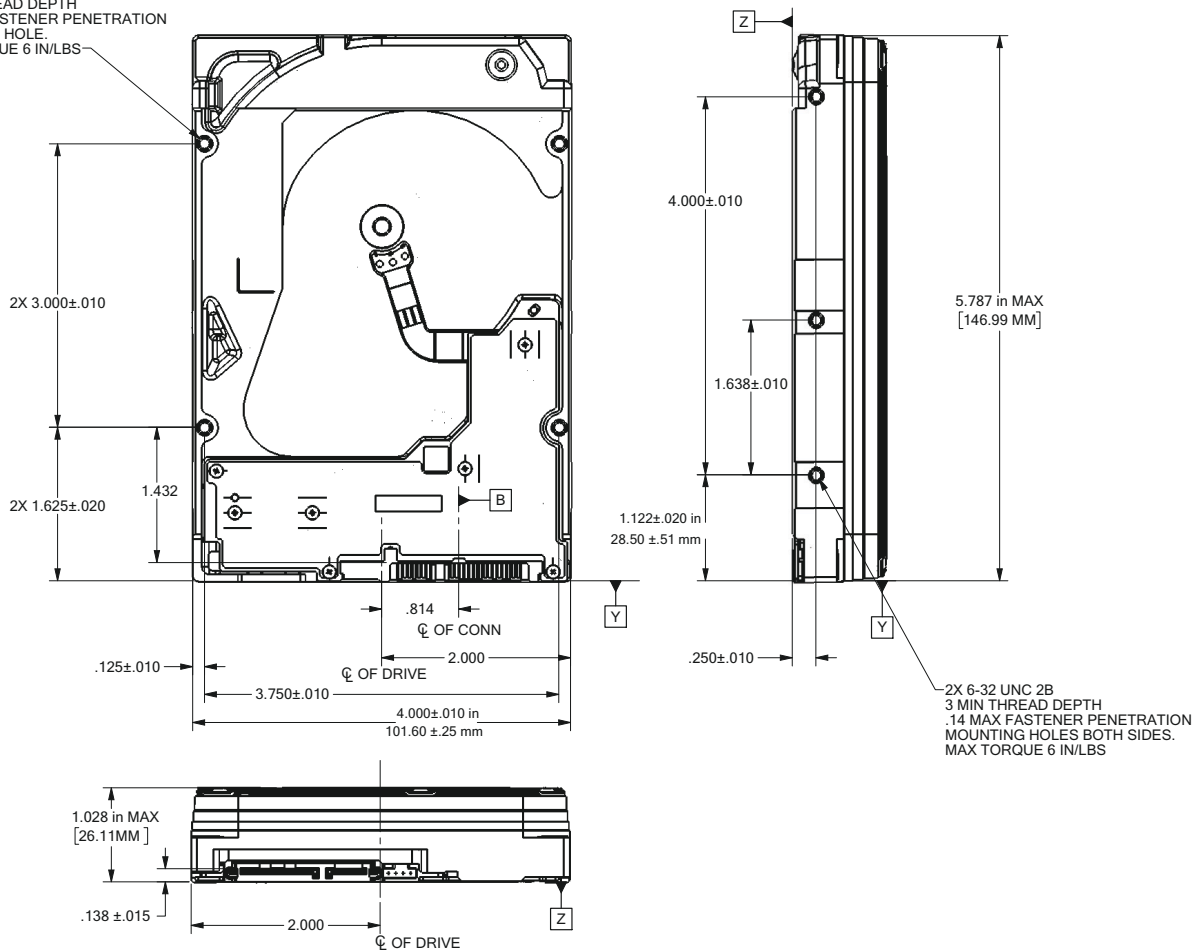
Refer to **Figure 3** for detailed mounting configuration dimensions. See **Section 1.3.4**, "Drive mounting."

|         |          |       |
|---------|----------|-------|
| Weight: | 1.521 lb | 690 g |
|---------|----------|-------|

#### NOTE

These dimensions conform to the Small Form Factor Standard documented in SFF-8301 and SFF-8323, found at [www.snia.org/technology-communities/sff/specifications](http://www.snia.org/technology-communities/sff/specifications).

4X 6-32 UNC 2B  
 3 MIN THREAD DEPTH  
 .14 MAX FASTENER PENETRATION  
 MOUNTING HOLE.  
 MAX TORQUE 6 IN/LBS



2X 6-32 UNC 2B  
 3 MIN THREAD DEPTH  
 .14 MAX FASTENER PENETRATION  
 MOUNTING HOLES BOTH SIDES.  
 MAX TORQUE 6 IN/LBS

**Figure 3. Mounting configuration dimensions**

#### NOTE

The image is for mechanical dimension reference only and may not represent the actual drive.

## 1.4 Serial ATA (SATA) interface

These drives use the industry-standard Serial ATA interface that supports FIS data transfers. It supports ATA programmed input/output (PIO) modes 0–4; multiword DMA modes 0–2, and Ultra DMA modes 0–6.

For detailed information about the Serial ATA interface, refer to the “Serial ATA: High Speed Serialized AT Attachment” specification.

### 1.4.1 Hot-Plug compatibility

IronWolf Serial ATA drives incorporate connectors which enable users to hot plug these drives in accordance with the Serial ATA Revision 3.3 specification. This specification can be downloaded from [www.serialata.org](http://www.serialata.org).

#### Caution:

The drive motor must come to a complete stop (**Ready to spindle stop time indicated in Section 1.2.4**) prior to changing the plane of operation. This time is required to insure data integrity.

### 1.4.2 Serial ATA device plug connector pin definitions

**Table 8** summarizes the signals on the Serial ATA interface and power connectors.

**Table 8 Serial ATA connector pin definitions**

| Segment   | Pin | Function             | Definition                                    |
|---|-----|----------------------|---|
| <b>Signal</b>   | S1  | Ground               | 2nd mate                                      |
|   | S2  | A+                   | Differential signal pair A from Phy           |
|   | S3  | A-                   |   |
|   | S4  | Ground               | 2nd mate                                      |
|   | S5  | B-                   | Differential signal pair B from Phy           |
|   | S6  | B+                   |   |
|   | S7  | Ground               | 2nd mate                                      |
| <b>Key and spacing separate signal and power segments</b> |     |                      |   |
| <b>Power</b>  | P1  | V33                  | 3.3V power                                    |
|   | P2  | V33                  | 3.3V power                                    |
|   | P3  | V33                  | 3.3V power, pre-charge, 2nd mate              |
|   | P4  | Ground               | 1st mate                                      |
|   | P5  | Ground               | 2nd mate                                      |
|   | P6  | Ground               | 2nd mate                                      |
|   | P7  | V5                   | 5V power, pre-charge, 2nd mate                |
|   | P8  | V5                   | 5V power                                      |
|   | P9  | V5                   | 5V power                                      |
|   | P10 | Ground               | 2nd mate                                      |
|   | P11 | Ground or LED signal | If grounded, drive does not use deferred spin |
|   | P12 | Ground               | 1st mate.                                     |
|   | P13 | V12                  | 12V power, pre-charge, 2nd mate               |
|   | P14 | V12                  | 12V power                                     |
|   | P15 | V12                  | 12V power                                     |

**Notes:**

1. All pins are in a single row, with a 1.27mm (0.050") pitch.
2. The comments on the mating sequence apply to the case of backplane blindmate connector only. In this case, the mating sequences are:
  - the ground pins P4 and P12.
  - the pre-charge power pins and the other ground pins.
  - the signal pins and the rest of the power pins.
3. There are three power pins for each voltage. One pin from each voltage is used for pre-charge when installed in a blind-mate backplane configuration.
4. All used voltage pins (Vx) must be terminated.

### 1.4.3 Supported ATA commands

The following table lists Serial ATA standard commands that the drive supports. For a detailed description of the ATA commands, refer to the Serial ATA: High Speed Serialized AT Attachment specification. See [“S.M.A.R.T. commands” on page 45](#) for details and subcommands used in the S.M.A.R.T. implementation.

**Table 9 Supported ATA commands**

| Command name                         | Command code (in hex)               |
|--------------------------------------|-------------------------------------|
| Accessible Max Address Configuration |                                     |
| Get Native Max Address Ext           | 78 <sub>H</sub> / 0000 <sub>H</sub> |
| Set Accessible Max Address Ext       | 78 <sub>H</sub> / 0001 <sub>H</sub> |
| Freeze Accessible Max Address Ext    | 78 <sub>H</sub> / 0002 <sub>H</sub> |
| Check Power Mode                     | E5 <sub>H</sub>                     |
| Configure Stream                     | 51 <sub>H</sub>                     |
| Download Microcode                   | 92 <sub>H</sub>                     |
| Execute Device Diagnostics           | 90 <sub>H</sub>                     |
| Flush Cache                          | E7 <sub>H</sub>                     |
| Flush Cache Extended                 | EA <sub>H</sub>                     |
| Get Physical Element Status          | 12 <sub>H</sub>                     |
| Identify Device                      | EC <sub>H</sub>                     |
| Idle                                 | E3 <sub>H</sub>                     |
| Idle Immediate                       | E1 <sub>H</sub>                     |
| Read Buffer                          | E4 <sub>H</sub>                     |
| Read DMA                             | C8 <sub>H</sub>                     |
| Read DMA Extended                    | 25 <sub>H</sub>                     |
| Read FPDMA Queued                    | 60 <sub>H</sub>                     |
| Read Log DMA Ext                     | 47 <sub>H</sub>                     |
| Read Log Ext                         | 2F <sub>H</sub>                     |
| Read Multiple                        | C4 <sub>H</sub>                     |

| Command name                         | Command code (in hex)   |
|--------------------------------------|---|
| Read Multiple Extended               | 29 <sub>H</sub>   |
| Read Sectors                         | 20 <sub>H</sub>   |
| Read Sectors Extended                | 24 <sub>H</sub>   |
| Read Stream DMA Extended             | 2A <sub>H</sub>   |
| Read Verify Sectors                  | 40 <sub>H</sub>   |
| Read Verify Sectors Extended         | 42 <sub>H</sub>   |
| Receive FPDMA Queued                 | 65 <sub>H</sub>   |
| Request Sense Data Ext               | 0B <sub>H</sub>   |
| Remove Element And Truncate          | 7C <sub>H</sub>   |
| Sanitize Device - Crypto Scramble    | B4 <sub>H</sub> / 0011 <sub>H</sub> (SED and ISE drives only) |
| Sanitize Device - Overwrite Ext      | B4 <sub>H</sub> / 0014 <sub>H</sub>                           |
| Sanitize Device - Freeze Lock Ext    | B4 <sub>H</sub> / 0020 <sub>H</sub>                           |
| Sanitize Device - Status Ext         | B4 <sub>H</sub> / 0000 <sub>H</sub>                           |
| Security Disable Password            | F6 <sub>H</sub>   |
| Security Erase Prepare               | F3 <sub>H</sub>   |
| Security Erase Unit                  | F4 <sub>H</sub>   |
| Security Freeze                      | F5 <sub>H</sub>   |
| Security Set Password                | F1 <sub>H</sub>   |
| Security Unlock                      | F2 <sub>H</sub>   |
| Seek                                 | 70 <sub>H</sub>   |
| Send FPDMA Queued                    | 64 <sub>H</sub>   |
| Set Date & Time Ext                  | 77 <sub>H</sub>   |
| Set Features                         | EF <sub>H</sub>   |
| Set Multiple Mode                    | C6 <sub>H</sub>   |
| Sleep                                | E6 <sub>H</sub>   |
| S.M.A.R.T. Disable Operations        | B0 <sub>H</sub> / D9 <sub>H</sub>                             |
| S.M.A.R.T. Enable/Disable Autosave   | B0 <sub>H</sub> / D2 <sub>H</sub>                             |
| S.M.A.R.T. Enable Operations         | B0 <sub>H</sub> / D8 <sub>H</sub>                             |
| S.M.A.R.T. Execute Offline           | B0 <sub>H</sub> / D4 <sub>H</sub>                             |
| S.M.A.R.T. Read Attribute Thresholds | B0 <sub>H</sub> / D1 <sub>H</sub>                             |
| S.M.A.R.T. Read Data                 | B0 <sub>H</sub> / D0 <sub>H</sub>                             |
| S.M.A.R.T. Read Log Sector           | B0 <sub>H</sub> / D5 <sub>H</sub>                             |
| S.M.A.R.T. Return Status             | B0 <sub>H</sub> / DA <sub>H</sub>                             |
| S.M.A.R.T. Save Attribute Values     | B0 <sub>H</sub> / D3 <sub>H</sub>                             |
| S.M.A.R.T. Write Log Sector          | B0 <sub>H</sub> / D6 <sub>H</sub>                             |
| Standby                              | E2 <sub>H</sub>   |

| <b>Command name</b>          | <b>Command code (in hex)</b>      |
|------------------------------|-----------------------------------|
| Standby Immediate            | E0 <sub>H</sub>                   |
| Trusted Send                 | 5E <sub>H</sub> (SED drives only) |
| Trusted Send DMA             | 5F <sub>H</sub> (SED drives only) |
| Trusted Receive              | 5C <sub>H</sub> (SED drives only) |
| Trusted Receive DMA          | 5D <sub>H</sub> (SED drives only) |
| Write Buffer                 | E8 <sub>H</sub>                   |
| Write DMA                    | CA <sub>H</sub>                   |
| Write DMA Extended           | 35 <sub>H</sub>                   |
| Write DMA FUA Extended       | 3D <sub>H</sub>                   |
| Write FPDMA Queued           | 61 <sub>H</sub>                   |
| Write Log DMA Ext            | 57 <sub>H</sub>                   |
| Write Log Extended           | 3F <sub>H</sub>                   |
| Write Multiple               | C5 <sub>H</sub>                   |
| Write Multiple Extended      | 39 <sub>H</sub>                   |
| Write Multiple FUA Extended  | CE <sub>H</sub>                   |
| Write Sectors                | 30 <sub>H</sub>                   |
| Write Sectors Extended       | 34 <sub>H</sub>                   |
| Write Stream DMA Extended    | 3A <sub>H</sub>                   |
| Write Uncorrectable Extended | 45 <sub>H</sub>                   |

### 1.4.3.1 Identify Device Data log

The IDENTIFY DEVICE Data log (log 30H) transfers information about the drive. The data is organized as a set of 512-byte blocks of data, whose contents are shown in [Table 2 on page 7](#). All reserved bits or words should be set to zero. Parameters listed with an "x" are drive-specific or vary with the state of the drive.

The following may contain drive-specific features that may be included in the Serial ATA specification

**Table 10 Identify Device Data log**

| Page (hex) | QWord Offset (dec)           | Bits     | Description  | Value (hex) |
|------------|------------------------------|----------|--|-------------|
| 00         | List of supported pages      |          |  |             |
|            | 0..7                         | 63:24    | Reserved   |             |
|            |                              | 23:16    | Page number  | 00          |
|            |                              | 15:0     | Revision number                                    | 0001        |
|            | 8                            |          | Number of entries in the following list            | 09          |
|            | 9                            |          | Page number of the 1st supported ID data log page  | 00          |
|            | 10                           |          | Page number of the 2nd supported ID data log page  | 01          |
|            | 11                           |          | Page number of the next supported ID data log page | 02          |
|            | 12                           |          | Page number of the next supported ID data log page | 03          |
|            | 13                           |          | Page number of the next supported ID data log page | 04          |
|            | 14                           |          | Page number of the next supported ID data log page | 05          |
|            | 15                           |          | Page number of the next supported ID data log page | 06          |
|            | 16                           |          | Page number of the next supported ID data log page | 08          |
|            | 17                           |          | Page number of the last supported ID data log page | 00          |
| 18..511    |                              | Reserved |  |             |
| 01         | Copy of IDENTIFY DEVICE data |          |  |             |
|            | 0..511                       |          | Copy of IDENTIFY DEVICE command data               |             |

**Table 10 Identify Device Data log (Continued)**

|       |                                |  |   |                                      |
|-------|--------------------------------|--|---|--------------------------------------|
| 02    | Capacity                       |  |   |                                      |
|       | 0..7                           | Capacity page information header (QWord)               |   |                                      |
|       |                                | 63   | Shall be set to 1                                 | 1                                    |
|       |                                | 62:24  | Reserved  |                                      |
|       |                                | 23:16  | Page number                                       | 02                                   |
|       |                                | 15:0   | Revision number                                   | 0001                                 |
|       | 8..15                          | Device Capacity (QWord)                                |   |                                      |
|       |                                | 63   | Shall be set to 1                                 | 1                                    |
|       |                                | 62:48  | Reserved  | 0                                    |
|       |                                | 47:0   | accessible capacity                               | (see <a href="#">Section 1.2.2</a> ) |
|       | 16..23                         | Physical/Logical Sector Size (QWord)                   |   |                                      |
|       |                                | 63   | Contents of the QWord are valid                   | 1                                    |
|       |                                | 62   | logical to physical sector relationship supported | 1 (512E) / 0 (4KN)                   |
|       |                                | 61   | logical sector size supported bit                 | 1 (4KN) / 0 (512E)                   |
|       |                                | 60:22  | Reserved  | 0                                    |
|       |                                | 19:16  | logical to physical sector relationship           | 0 (4KN) / 3 (512E)                   |
|       | 24..31                         | Logical Sector Size (QWord)                            |   |                                      |
|       |                                | 63   | Contents of the QWord are valid                   | 1                                    |
|       |                                | 62:32  | Reserved  | 0                                    |
|       |                                | 31:0   | Logical Sector Size                               | 4096b (4KN)                          |
|       | 32..39                         | Nominal Buffer Size (QWord)                            |   |                                      |
|       |                                | 63   | Contents of the QWord are valid                   | 1                                    |
|       |                                | 62:0   | buffer size                                       | 256                                  |
|       | 40..511                        |  | Reserved  | 0                                    |
|       | 03                             | Supported Capabilities                                 |   |                                      |
|       | 0..7                           | Supported Capabilities page information header (QWord) |   |                                      |
|       |                                | 63   | Shall be set to 1                                 | 1                                    |
| 62:24 |                                | Reserved   |   |                                      |
| 23:16 |                                | Page number  | 03  |                                      |
| 8..15 | Supported Capabilities (QWord) |  |   |                                      |
|       | 63                             | Shall be set to 1                                      | 1   |                                      |
|       | 62:55                          | Reserved   | 0   |                                      |
|       | 54                             | advanced background operation supported                | 0   |                                      |
|       | 53                             | persistent sense data reporting                        | 0   |                                      |
|       | 52                             | sff-8447 reporting                                     | 1   |                                      |

**Table 10 Identify Device Data log (Continued)**

|  |  |    |   |   |
|--|--|----|---|---|
|  |  | 51 | definitive ending pattern supported         | 1 |
|  |  | 50 | data set management xl supported            | 0 |
|  |  | 49 | set sector configuration supported          | 1 |
|  |  | 48 | zero ext supported                          | 0 |
|  |  | 47 | successful ncq command sense data supported | 0 |
|  |  | 46 | dlc supported                               | 0 |
|  |  | 45 | request sense device default supported      | 1 |
|  |  | 44 | dsn supported                               | 1 |
|  |  | 43 | low power standby supported                 | 0 |
|  |  | 42 | set epc power source supported              | 0 |
|  |  | 41 | amax addr supported                         | 1 |
|  |  | 40 | Reserved for CFA                            | 0 |
|  |  | 39 | drat supported                              | 0 |
|  |  | 38 | lps misalignment reporting supported        | 0 |
|  |  | 37 | Reserved                                    | 0 |
|  |  | 36 | read buffer dma supported                   | 0 |
|  |  | 35 | write buffer dma supported                  | 0 |
|  |  | 34 | Reserved                                    | 0 |
|  |  | 33 | download microcode dma supported            | 0 |
|  |  | 32 | 28-bit supported                            | 0 |
|  |  | 31 | rzat supported                              | 0 |
|  |  | 30 | Reserved                                    | 0 |
|  |  | 29 | nop supported                               | 0 |
|  |  | 28 | read buffer supported                       | 1 |
|  |  | 27 | write buffer supported                      | 1 |
|  |  | 26 | Reserved                                    | 0 |
|  |  | 25 | read look-ahead supported                   | 1 |
|  |  | 24 | volatile write cache supported              | 1 |
|  |  | 23 | smart supported                             | 1 |
|  |  | 22 | flush cache ext supported                   | 1 |
|  |  | 21 | Reserved                                    | 0 |
|  |  | 20 | 48-bit supported                            | 1 |
|  |  | 19 | Reserved                                    | 1 |
|  |  | 18 | spin-up supported                           | 1 |
|  |  | 17 | puis supported                              | 1 |
|  |  | 16 | apm supported                               | 0 |
|  |  | 15 | Reserved for CFA                            | 0 |



**Table 10 Identify Device Data log (Continued)**

|  |        |   |                                      |                   |  |
|--|--------|---|--------------------------------------|-------------------|--|
|  |        | 14  | download microcode supported         | 1                 |  |
|  |        | 13  | unload supported                     | 1                 |  |
|  |        | 12  | write fua ext supported              | 1                 |  |
|  |        | 11  | gpl supported                        | 1                 |  |
|  |        | 10  | streaming supported                  | 1                 |  |
|  |        | 9   | Reserved                             | 0                 |  |
|  |        | 8   | smart self-test supported            | 1                 |  |
|  |        | 7   | smart error logging supported        | 1                 |  |
|  |        | 6   | epc supported                        | 1                 |  |
|  |        | 5   | sense data supported                 | 1                 |  |
|  |        | 4   | free-fall supported                  | 0                 |  |
|  |        | 3   | dm mode 3 supported                  | 1                 |  |
|  |        | 2   | gpl dma supported                    | 1                 |  |
|  |        | 1   | write uncorrectable supported        | 1                 |  |
|  |        | 0   | wrv supported                        | 1                 |  |
|  |        | DOWNLOAD MICROCODE Capabilities (QWord)       |                                      |                   |  |
|  |        | 63  | Contents of the QWord are valid      | 1                 |  |
|  |        | 62:36   | Reserved                             | 0                 |  |
|  |        | 35  | dm clears nonactivated deferred data | 0                 |  |
|  | 16..23 | 34  | dm offsets deferred supported        | 1                 |  |
|  |        | 33  | dm immediate supported               | 1                 |  |
|  |        | 32  | dm offsets immediate supported       | 1                 |  |
|  |        | 31:16   | dm maximum transfer size             | 0000 <sub>H</sub> |  |
|  |        | 15:0  | dm minimum transfer size             | 0000 <sub>H</sub> |  |
|  |        | Nominal Media Rotation Rate (QWord)           |                                      |                   |  |
|  |        | 63  | Shall be set to one                  | 1                 |  |
|  |        | 62:16   | Reserved                             | 0                 |  |
|  |        | 15:0  | nominal media rotation rate          | 7200              |  |
|  |        | Form Factor (QWord)                           |                                      |                   |  |
|  |        | 63  | Contents of the QWord are valid      | 1                 |  |
|  |        | 62:4  | Reserved                             | 0                 |  |
|  |        | 3:0   | nominal form factor                  | 3.5"              |  |
|  |        | Write-Read-Verify Sector Count Mode 3 (QWord) |                                      |                   |  |
|  |        | 63  | Contents of the QWord are valid      | 1                 |  |
|  |        | 62:32   | Reserved                             | 0                 |  |
|  |        | 31:0  | wrm mode 3 count                     | 0                 |  |

**Table 10 Identify Device Data log (Continued)**

|  |         |   |                                     |                           |
|--|---------|---|-------------------------------------|---------------------------|
|  | 48..55  | Write-Read-Verify Sector Count Mode 2 (QWord) |                                     |                           |
|  |         | 63  | Contents of the QWord are valid     | 1                         |
|  |         | 62:32   | Reserved                            | 0                         |
|  |         | 31:0  | wrm mode 2 count                    | 0                         |
|  | 56..71  | World wide name (DQWord)                      |                                     |                           |
|  |         | 127   | Shall be set to one                 | 1                         |
|  |         | 126:64  | Reserved                            | 0                         |
|  |         | 63:0  | world wide name                     | unique                    |
|  | 72..79  | DATA SET MANAGEMENT (QWord)                   |                                     |                           |
|  |         | 63  | Shall be set to one                 | 1                         |
|  |         | 62:32   | Reserved                            | 0                         |
|  |         | 31:16   | max pages per dsm command           | 0                         |
|  |         | 15:8  | logical block markups supported     | 0                         |
|  |         | 7:1   | Reserved                            | 0                         |
|  |         | 0   | trim supported                      | 0                         |
|  | 80..95  | Utilization Per Unit Time (DQWord)            |                                     |                           |
|  |         | 127   | Shall be set to one                 | 1                         |
|  |         | 126:120                                       | Reserved                            | 0                         |
|  |         | 119:112                                       | utilization type                    | Combined Writes and Reads |
|  |         | 111:104                                       | utilization units                   | TB                        |
|  |         | 103:96  | utilization interval                | Per Year                  |
|  |         | 95:34   | Reserved                            | 0                         |
|  |         | 63:32   | utilization b                       |                           |
|  |         | 31:0  | utilization a                       | 550                       |
|  | 96..103 | Utilization Usage Rate Support (QWord)        |                                     |                           |
|  |         | 63  | Contents of the QWord are valid     | 0                         |
|  |         | 62:24   | Reserved                            | 0                         |
|  |         | 23  | setting rate basis supported        | 0                         |
|  |         | 22:9  | Reserved                            | 0                         |
|  |         | 8   | since power on rate basis supported | 0                         |
|  |         | 7:5   | Reserved                            | 0                         |
|  |         | 4   | power on hours rate basis supported | 0                         |
|  |         | 3:1   | Reserved                            | 0                         |
|  |         | 0   | date/time rate basis supported      | 0                         |

**Table 10 Identify Device Data log (Continued)**

|  |          |                                    |  |   |
|--|----------|------------------------------------|--|---|
|  |          | Zoned Capabilities (QWord)         |  |   |
|  | 104..111 | 63                                 | Contents of the QWord are valid                        | 0 |
|  |          | 62:2                               | Reserved   | 0 |
|  |          | 1:0                                | zoned  | 0 |
|  |          | Supported ZAC Capabilities (QWord) |  |   |
|  | 112..119 | 63                                 | Contents of the QWord are valid                        | 0 |
|  |          | 62:5                               | Reserved   | 0 |
|  |          | 4                                  | non-data reset write pointers ext supported            | 0 |
|  |          | 3                                  | non-data finish zone ext supported                     | 0 |
|  |          | 2                                  | non-data close zone ext supported                      | 0 |
|  |          | 1                                  | non-data open zone ext supported                       | 0 |
|  |          | 0                                  | report zones ext supported                             | 0 |
|  |          |                                    | Advanced Background Operations Capabilities (QWord)    |   |
|  | 120..127 | 63                                 | Contents of the QWord are valid                        | 0 |
|  |          | 62                                 | abo foreground mode supported                          | 0 |
|  |          | 61                                 | abo ir mode supported                                  | 0 |
|  |          | 60:48                              | Reserved   | 0 |
|  |          | 47:16                              | abo minimum fraction                                   | 0 |
|  |          | 15:0                               | abo minimum supported timelimit                        | 0 |
|  |          |                                    | Advanced Background Operations Recommendations (QWord) |   |
|  | 128..135 | 63                                 | Contents of the QWord are valid                        | 0 |
|  |          | 62:32                              | Reserved   | 0 |
|  |          | 31:16                              | device maintenance polling time                        | 0 |
|  |          | 15:0                               | abo recommended abo start interval                     | 0 |
|  |          | Queue Depth (QWord)                |  |   |
|  | 136..143 | 63                                 | Contents of the QWord are valid                        | 0 |
|  |          | 62:5                               | Reserved   | 0 |
|  |          | 4:0                                | queue depth  | 0 |

**Table 10 Identify Device Data log (Continued)**

|    |                  |  |  |                   |
|----|------------------|--|--|-------------------|
|    |                  | Supported SCT Capabilities (QWord)               |  |                   |
|    | 144..151         | 63   | Contents of the QWord are valid                        | 0                 |
|    |                  | 62:27  | Reserved   | 0                 |
|    |                  | 26   | sct write same function 103 supported                  | 0                 |
|    |                  | 25   | sct write same function 102 supported                  | 0                 |
|    |                  | 24   | sct write same function 101 supported                  | 0                 |
|    |                  | 23:19  | Reserved   | 0                 |
|    |                  | 18   | sct write same function 3 supported                    | 0                 |
|    |                  | 17   | sct write same function 2 supported                    | 0                 |
|    |                  | 16   | sct write same function 1 supported                    | 0                 |
|    |                  | 15:6   | Reserved   | 0                 |
|    |                  | 5  | sct data tables supported                              | 0                 |
|    |                  | 4  | sct feature control supported                          | 0                 |
|    |                  | 3  | sct error recovery control supported                   | 0                 |
|    |                  | 2  | sct write same supported                               | 0                 |
|    |                  | 1  | Reserved   | 0                 |
|    |                  | 0  | sct supported  | 0                 |
|    |                  |  | Depopulation Capabilities (QWord)                      |                   |
|    | 152..159         | 63   | Contents of the QWord are valid                        | 1                 |
|    |                  | 62:2   | Reserved   | 0                 |
|    |                  | 1  | get physical element status supported                  | 1                 |
|    |                  | 0  | remove element and truncate supported                  | 1                 |
|    | 160..167         | 35   | Depopulation Execution Time (QWord)                    | 1                 |
|    |                  |  | Bit Description:<br>63 Contents of the QWord are valid | 1                 |
|    |                  |  | 62:0 DEPOPULATION TIME field (see 9.10.5.19)           | E861 <sub>H</sub> |
|    | 168..503         | Reserved   |  |                   |
|    |                  | Vendor Specific Supported Capabilities (QWord)   |  |                   |
|    | 504..511         | 63   | Contents of the QWord are valid                        | 0                 |
|    |                  | 62:0   | Vendor specific  |                   |
| 04 | Current Settings |  |  |                   |
|    |                  | Current Settings page information header (QWord) |  |                   |
|    | 0..7             | 63   | Shall be set to 1                                      | 1                 |
|    |                  | 62:24  | Reserved   | 0                 |
|    |                  | 23:16  | Page number  | 04                |

**Table 10 Identify Device Data log (Continued)**

|  |        |   |   |   |
|--|--------|---|---|---|
|  |        | Current Settings (QWord)                |   |   |
|  |        | 63                                      | Shall be set to one                       | 1 |
|  |        | 62:19                                   | Reserved                                  | 0 |
|  |        | 18                                      | successful ncq command sense data enabled | 0 |
|  |        | 17                                      | dlc enabled                               | 0 |
|  |        | 16                                      | dsn enabled                               | 0 |
|  |        | 15                                      | epc enabled                               | 1 |
|  |        | 14                                      | Reserved                                  | 0 |
|  |        | 13                                      | volatile write cache enabled              | 1 |
|  |        | 12                                      | Reserved                                  | 0 |
|  |        | 11                                      | reverting to defaults enabled             | 0 |
|  | 8..15  | 10                                      | sense data enabled                        | 0 |
|  |        | 9                                       | Reserved                                  | 0 |
|  |        | 8                                       | non-volatile write cache                  | 0 |
|  |        | 7                                       | read look-ahead                           | 1 |
|  |        | 6                                       | smart enabled                             | 1 |
|  |        | 5                                       | Reserved                                  | 0 |
|  |        | 4                                       | Reserved                                  | 0 |
|  |        | 3                                       | puis enabled                              | 0 |
|  |        | 2                                       | apm enabled                               | 0 |
|  |        | 1                                       | free-fall enabled                         | 0 |
|  |        | 0                                       | wrv enabled                               | 0 |
|  |        | Feature Settings (QWord)                |   |   |
|  |        | 63                                      | Contents of the QWord are valid           | 1 |
|  |        | 62:18                                   | Reserved                                  | 0 |
|  | 16..23 | 17:16                                   | power source                              | 0 |
|  |        | 15:8                                    | apm level                                 | 0 |
|  |        | 7:0                                     | wrv mode                                  | 0 |
|  |        | DMA Host Interface Sector Times (QWord) |   |   |
|  |        | 63                                      | Contents of the QWord are valid           | 1 |
|  |        | 62:16                                   | Reserved                                  | 0 |
|  | 24..31 | 15:0                                    | dma sector time                           | 0 |
|  |        | PIO Host Interface Sector Times (QWord) |   |   |
|  |        | 63                                      | Contents of the QWord are valid           | 1 |
|  |        | 62:16                                   | Reserved                                  | 0 |
|  | 32..39 | 15:0                                    | pio sector time                           | 0 |

**Table 10 Identify Device Data log (Continued)**

|  |         |   |                                       |                   |
|--|---------|---|---------------------------------------|-------------------|
|  |         | Streaming Minimum Request Size (QWord)          |                                       |                   |
|  | 40..47  | 63  | Contents of the QWord are valid       | 1                 |
|  |         | 62:16   | Reserved                              | 0                 |
|  |         | 15:0  | stream min request size               | 1000 <sub>H</sub> |
|  |         | Streaming Access Latency (QWord)                |                                       |                   |
|  | 48..55  | 63  | Contents of the QWord are valid       | 1                 |
|  |         | 62:16   | Reserved                              | 0                 |
|  |         | 15:0  | stream access latency                 | 0                 |
|  |         | Streaming Performance Granularity (QWord)       |                                       |                   |
|  | 56..63  | 63  | Contents of the QWord are valid       | 1                 |
|  |         | 62:16   | Reserved                              | 0                 |
|  |         | 15:0  | stream granularity                    | 2710 <sub>H</sub> |
|  |         | Free-fall Control Sensitivity (QWord)           |                                       |                   |
|  | 64..71  | 63  | Contents of the QWord are valid       | 1                 |
|  |         | 62:16   | Reserved                              | 0                 |
|  |         | 15:0  | free-fall sensitivity                 | 0                 |
|  |         | Device Maintenance Schedule (QWord)             |                                       |                   |
|  | 72..79  | 63  | Contents of the QWord are valid       | 0                 |
|  |         | 62:58   | Reserved                              | 0                 |
|  |         | 57:48   | minimum inactive time in milliseconds | 0                 |
|  |         | 47:32   | time scheduled for device maintenance | 0                 |
|  |         | 31:16   | time to performance degradation       | 0                 |
|  |         | 15:0  | minimum inactive time                 | 0                 |
|  |         |   |                                       |                   |
|  |         | Advanced Background Operations Settings (QWord) |                                       |                   |
|  | 80..87  | 63  | Contents of the QWord are valid       | 0                 |
|  |         | 62:8  | Reserved                              | 0                 |
|  |         | 7:0   | abo_status                            | 0                 |
|  | 88..511 | Reserved  |                                       |                   |

**Table 10 Identify Device Data log (Continued)**

|          |          |  |                                   |  |
|----------|----------|--|-----------------------------------|--|
| 05       | Strings  |  |                                   |  |
|          | 0..7     | Supported Capabilities page information header (QWord) |                                   |  |
|          |          | 63   | Shall be set to 1                 | 1  |
|          |          | 62:24  | Reserved                          |  |
|          |          | 23:16  | Page number                       | 05   |
|          | 8..27    | SERIAL NUMBER (ATA String)                             |                                   | XXXXXXXX <sub>H</sub>  |
|          | 28..31   | Reserved   |                                   |  |
|          | 32..39   | FIRMWARE REVISION (ATA String)                         |                                   | XXXX <sub>H</sub>  |
|          | 40..47   | Reserved   |                                   |  |
|          | 48..87   | MODEL NUMBER (ATA String)                              |                                   | ST14000NM0018<br>ST14000NM0258<br>ST12000NM0008<br>ST12000NM0248<br>ST10000NM0478<br>ST10000NM0568 |
|          | 88..95   | Reserved   |                                   |  |
|          | 96..103  | ADDITIONAL PRODUCT IDENTIFIER (ATA String)             |                                   | 0  |
| 104..511 | Reserved |  |                                   |  |
| 06       | Security |  |                                   |  |
|          | 0..7     | Security page information header (QWord)               |                                   |  |
|          |          | 63   | Shall be set to 1                 | 1  |
|          |          | 62:24  | Reserved                          |  |
|          |          | 23:16  | Page number                       | 06   |
|          | 8..15    | Master Password Identifier (QWord)                     |                                   |  |
|          |          | 63   | Contents of the QWord are valid   | 1  |
|          |          | 62:16  | Reserved                          | 0  |
|          |          | 15:0   | master password identifier        | FFFE <sub>H</sub>  |
|          | 16..23   | Security Status (QWord)                                |                                   |  |
|          |          | 63   | Contents of the QWord are valid   | 1  |
|          |          | 62:7   | Reserved                          | 0  |
|          |          | 6  | security supported                | 1  |
|          |          | 5  | master password capability        | 0  |
|          |          | 4  | enhanced security erase supported | 1  |
|          |          | 3  | security count expired            | 0  |
|          |          | 2  | security frozen                   | 0  |
|          |          | 1  | security locked                   | 0  |
|          |          | 0  | security enabled                  | 0  |

**Table 10 Identify Device Data log (Continued)**

|    |              |  |  |                                   |
|----|--------------|--|--|-----------------------------------|
|    |              | Time required for an Enhanced Erase mode SECURITY ERASE UNIT command (QWord) |  |                                   |
|    | 24..31       | 63   | Contents of the QWord are valid        | 1                                 |
|    |              | 62:16  | Reserved                               | 0                                 |
|    |              | 15   | enhanced security erase time format    | 1                                 |
|    |              | 14:0   | enhanced security erase time           | 244 <sub>H</sub>                  |
|    |              | Time required for a Normal Erase mode SECURITY ERASE UNIT command (QWord)    |  |                                   |
|    | 32..39       | 63   | Contents of the QWord are valid        | 1                                 |
|    |              | 62:16  | Reserved                               | 0                                 |
|    |              | 15   | normal security erase time format      | 1                                 |
|    |              | 14:0   | normal security erase time             | 244 <sub>H</sub>                  |
|    |              | Trusted Computing Feature Set (QWord)  |  |                                   |
|    | 40..47       | 63   | Contents of the QWord are valid        | 1                                 |
|    |              | 62:1   | Reserved                               | 0                                 |
|    |              | 0  | trusted computing supported            | 0<br>(1, SED drives only)         |
|    |              | Security Capabilities (QWord)  |  |                                   |
|    | 48..55       | 63   | Contents of the QWord are valid        | 1                                 |
|    |              | 62:8   | Reserved                               | 0                                 |
|    |              | 7  | restricted sanitize overrides security | 0                                 |
|    |              | 6  | acs-3 commands allowed by sanitize     | 1                                 |
|    |              | 5  | sanitize antifreeze lock supported     | 1                                 |
|    |              | 4  | block erase supported                  | 0                                 |
|    |              | 3  | overwrite supported                    | 1                                 |
|    |              | 2  | crypto scramble supported              | 0<br>(1, SED and ISE drives only) |
|    |              | 1  | sanitize supported                     | 1                                 |
|    |              | 0  | encrypt all supported                  | 0                                 |
|    | 56..511      | Reserved   |  |                                   |
| 07 | Parallel ATA |  |  |                                   |
|    | 000..511     |  | (Not supported for SATA drives)        | all zeros                         |
| 08 | Serial ATA   |  |  |                                   |



**Table 10 Identify Device Data log (Continued)**

|       |  |   |    |
|-------|--|---|----|
| 0..7  | Serial ATA page information header (QWord) |   |    |
|       | 63   | Shall be set to 1   | 1  |
|       | 62:24                                      | Reserved  |    |
|       | 23:16                                      | Page number   | 08 |
| 8..15 | SATA Capabilities                          |   |    |
|       | 63   | Shall be set to one   | 1  |
|       | 62:32                                      | Reserved  | 0  |
|       | 31   | power disable feature always enabled                          | 0  |
|       | 30   | power disable feature supported                               | 0  |
|       | 29   | rebuild assist supported                                      | 0  |
|       | 28   | dipm ssp preservation supported                               | 0  |
|       | 27   | hybrid information supported                                  | 0  |
|       | 26   | devsleep to reducedpwrstate capability supported              | 0  |
|       | 25   | device sleep supported  | 0  |
|       | 24   | ncq autosense supported                                       | 1  |
|       | 23   | software settings preservation supported                      | 1  |
|       | 22   | hardware feature control supported                            | 0  |
|       | 21   | in-order data delivery supported                              | 0  |
|       | 20   | device initiated power management supported                   | 1  |
|       | 19   | dma setup auto-activation supported                           | 1  |
|       | 18   | nonzero buffer offsets supported                              | 0  |
| 17    | send and receive queued commands supported | 1   |    |
|       | 16   | ncq non-data command supported                                | 0  |
|       | 15   | ncq streaming supported                                       | 0  |
|       | 14   | read log dma ext as equivalent to read log ext supported      | 1  |
|       | 13   | device automatic partial to slumber transitions supported     | 0  |
|       | 12   | host automatic partial to slumber transitions supported       | 0  |
|       | 11   | ncq priority information supported                            | 0  |
|       | 10   | unload while ncq commands are outstanding supported           | 1  |
|       | 9  | sata phy event counters log supported                         | 1  |
|       | 8  | receipt of host initiated power management requests supported | 0  |
|       | 7  | ncq feature set supported                                     | 1  |
|       | 6:3  | Reserved  | 0  |
|       | 2  | sata gen3 signaling speed supported                           | 1  |
|       | 1  | sata gen2 signaling speed supported                           | 1  |
| 0     | sata gen1 signaling speed supported        | 1   |    |

**Table 10 Identify Device Data log (Continued)**

|         |  |  |                      |
|---------|--|--|----------------------|
| 16..23  | Current SATA Settings (QWord)                        |  |                      |
|         | 63   | Shall be set to one                              | 1                    |
|         | 62:14  | Reserved   | 0                    |
|         | 13   | hybrid enabled                                   | 0                    |
|         | 12   | rebuild assist enabled                           | 0                    |
|         | 11   | power disable feature enabled                    | 0                    |
|         | 10   | device sleep enabled                             | 0                    |
|         | 9  | automatic partial to slumber transitions enabled | 0                    |
|         | 8  | software settings preservation enabled           | 1                    |
|         | 7  | hardware feature control is enabled              | 0                    |
|         | 6  | in-order data delivery enabled                   | 0                    |
|         | 5  | device initiated power management enabled        | 0                    |
|         | 4  | dma setup auto-activation enabled                | 1                    |
|         | 3  | nonzero buffer offsets enabled                   | 0                    |
|         | 2:0  | current negotiated serial ata signal speed       | (6.0, 3.0, 1.5) Gb/s |
| 24..39  | Reserved   |  |                      |
| 40..41  | CURRENT HARDWARE FEATURE CONTROL IDENTIFIER (Word)   |  |                      |
| 42..43  | SUPPORTED HARDWARE FEATURE CONTROL IDENTIFIER (Word) |  |                      |
| 44..47  | Reserved   |  |                      |
| 48..55  | Device Sleep Timing Variables (QWord)                |  |                      |
|         | 63   | devslp timing variables supported                | 0                    |
|         | 62:16  | Reserved   | 0                    |
|         | 15:8   | devsleep exit timeout (deto)                     | 0                    |
|         | 7:5  | Reserved   | 0                    |
| 4:0     | minimum devslp assertion time (mdat)                 | 0  |                      |
| 56..511 | Reserved   |  |                      |

### 1.4.3.2 Device Statistics log

The Device Statistics log (log 04H) transfers information about the drive. The data is organized as a set of 512-byte blocks of data, whose contents are shown in [Table 2 on page 7](#). All reserved bits or words should be set to zero. Parameters listed with an "x" are drive-specific or vary with the state of the drive.

The following may contain drive-specific features that are included in the SATA specifications.

**Table 11 Device Statistics log**

| Page (hex)                            | Statistic  | Supported |
|---------------------------------------|--|-----------|
| 00                                    | List of supported log pages  | Yes       |
| 01                                    | General Statistics   |           |
|                                       | Lifetime Power-on Resets   | Yes       |
|                                       | Power-on Hours   | Yes       |
|                                       | Logical Sectors Written  | Yes       |
|                                       | Number of Write Commands   | Yes       |
|                                       | Logical Sectors Read   | Yes       |
|                                       | Number of Read Commands  | Yes       |
|                                       | Pending Error Count  | x         |
|                                       | Workload Utilization   | No        |
|                                       | Utilization Usage Rate   | No        |
|                                       | Resource Availability  | x         |
|                                       | Random Write Resources Used  | x         |
| 02                                    | Free Fall Statistics   |           |
|                                       | Number of Free-Fall Events Detected                                | No        |
|                                       | Overlimit Shock Events   | No        |
| 03                                    | Rotating Media Statistics  |           |
|                                       | Spindle Motor Power-on Hours                                       | Yes       |
|                                       | Head Flying Hours  | Yes       |
|                                       | Head Loaded Events   | Yes       |
|                                       | Number of Reallocated Logical Sectors                              | Yes       |
|                                       | Read Recovery Attempts   | Yes       |
|                                       | Number of Mechanical Start Failures                                | Yes       |
|                                       | Number of Reallocation Candidate Logical Sectors                   | Yes       |
| Number of High Priority Unload Events | Yes  |           |
| 04                                    | General Errors Statistics  |           |
|                                       | Number of Reported Uncorrectable Errors                            | Yes       |
|                                       | Number of Resets Between Command Acceptance and Command Completion | Yes       |
|                                       | Physical Element Status Changed                                    | x         |

**Table 11 Device Statistics log**

|        |   |     |
|--------|---|-----|
| 05     | Temperature Statistics                  |     |
|        | Current Temperature                     | Yes |
|        | Average Short Term Temperature          | Yes |
|        | Average Long Term Temperature           | Yes |
|        | Highest Temperature                     | Yes |
|        | Lowest Temperature                      | Yes |
|        | Highest Average Short Term Temperature  | Yes |
|        | Lowest Average Short Term Temperature   | Yes |
|        | Highest Average Long Term Temperature   | Yes |
|        | Lowest Average Long Term Temperature    | Yes |
|        | Time in Over-Temperature                | Yes |
|        | Specified Maximum Operating Temperature | Yes |
|        | Time in Under-Temperature               | Yes |
|        | Specified Minimum Operating Temperature | Yes |
| 06     | Transport Statistics                    |     |
|        | Number of Hardware Resets               | Yes |
|        | Number of ASR Events                    | Yes |
|        | Number of Interface CRC Errors          | Yes |
| 07     | Solid State Device Statistics           |     |
|        | Percentage Used Endurance Indicator     | No  |
| 08     | Zoned Device Statistics                 |     |
|        | Maximum Open Zones                      | No  |
|        | Maximum Explicitly Open Zones           | No  |
|        | Maximum Implicitly Open Zones           | No  |
|        | Minimum Empty Zones                     | No  |
|        | Maximum Non Sequential Zones            | No  |
|        | Zones Emptied                           | No  |
|        | Suboptimal Write Commands               | No  |
|        | Commands Exceeding Optimal Limit        | No  |
|        | Failed Explicit Opens                   | No  |
|        | Read Rule Violations                    | No  |
|        | Write Rule Violations                   | No  |
| 09..FE | Reserved                                |     |
| FF     | Vendor Specific Statistics              |     |
|        | TBD                                     | x   |

### 1.4.3.3 Set Features command

This command controls the implementation of various features that the drive supports. When the drive receives this command, it sets BSY, checks the contents of the Features register, clears BSY and generates an interrupt. If the value in the register does not represent a feature that the drive supports, the command is aborted. Power-on default has the read look-ahead and write caching features enabled. The acceptable values for the Features register are defined as follows:

**Table 12 Set Features command values**

|                 |   |
|-----------------|---|
| 02 <sub>H</sub> | Enable write cache ( <i>default</i> ).  |
| 03 <sub>H</sub> | Set transfer mode (based on value in Sector Count register).<br>Sector Count register values: |
| 00 <sub>H</sub> | Set PIO mode to default (PIO mode 2).   |
| 01 <sub>H</sub> | Set PIO mode to default and disable IORDY (PIO mode 2).                                       |
| 08 <sub>H</sub> | PIO mode 0  |
| 09 <sub>H</sub> | PIO mode 1  |
| 0A <sub>H</sub> | PIO mode 2  |
| 0B <sub>H</sub> | PIO mode 3  |
| 0C <sub>H</sub> | PIO mode 4 ( <i>default</i> )   |
| 20 <sub>H</sub> | Multiword DMA mode 0  |
| 21 <sub>H</sub> | Multiword DMA mode 1  |
| 22 <sub>H</sub> | Multiword DMA mode 2  |
| 40 <sub>H</sub> | Ultra DMA mode 0  |
| 41 <sub>H</sub> | Ultra DMA mode 1  |
| 42 <sub>H</sub> | Ultra DMA mode 2  |
| 43 <sub>H</sub> | Ultra DMA mode 3  |
| 44 <sub>H</sub> | Ultra DMA mode 4  |
| 45 <sub>H</sub> | Ultra DMA mode 5  |
| 46 <sub>H</sub> | Ultra DMA mode 6  |
| 10 <sub>H</sub> | Enable use of SATA features   |
| 55 <sub>H</sub> | Disable read look-ahead (read cache) feature.   |
| 82 <sub>H</sub> | Disable write cache   |
| 90 <sub>H</sub> | Disable use of SATA features  |
| AA <sub>H</sub> | Enable read look-ahead (read cache) feature ( <i>default</i> ).                               |
| F1 <sub>H</sub> | Report full capacity available  |

**NOTE**

At power-on, or after a hardware or software reset, the default values of the features are as indicated above.

#### 1.4.3.4 S.M.A.R.T. commands

S.M.A.R.T. provides near-term failure prediction for disk drives. When S.M.A.R.T. is enabled, the drive monitors predetermined drive attributes that are susceptible to degradation over time. If self-monitoring determines that a failure is likely, S.M.A.R.T. makes a status report available to the host. Not all failures are predictable. S.M.A.R.T. predictability is limited to the attributes the drive can monitor. For more information on S.M.A.R.T. commands and implementation, see the *Draft ATA-5 Standard*.

SeaTools diagnostic software activates a built-in drive self-test (DST S.M.A.R.T. command for D4<sub>H</sub>) that eliminates unnecessary drive returns. The diagnostic software ships with all new drives and is also available at: <http://www.seagate.com/support/downloads/seatools/>.

This drive is shipped with S.M.A.R.T. features disabled. Users must have a recent BIOS or software package that supports S.M.A.R.T. to enable this feature. The table below shows the S.M.A.R.T. command codes that the drive uses.

**Table 13 S.M.A.R.T. commands**

| Code in features register | S.M.A.R.T. command                               |
|---------------------------|--|
| D0 <sub>H</sub>           | S.M.A.R.T. Read Data                             |
| D2 <sub>H</sub>           | S.M.A.R.T. Enable/Disable Attribute Autosave     |
| D3 <sub>H</sub>           | S.M.A.R.T. Save Attribute Values                 |
| D4 <sub>H</sub>           | S.M.A.R.T. Execute Off-line Immediate (runs DST) |
| D5 <sub>H</sub>           | S.M.A.R.T. Read Log Sector                       |
| D6 <sub>H</sub>           | S.M.A.R.T. Write Log Sector                      |
| D8 <sub>H</sub>           | S.M.A.R.T. Enable Operations                     |
| D9 <sub>H</sub>           | S.M.A.R.T. Disable Operations                    |
| DA <sub>H</sub>           | S.M.A.R.T. Return Status                         |

**NOTE**

If an appropriate code is not written to the Features Register, the command is aborted and 0x04 (abort) is written to the Error register.



**Seagate Technology LLC**

*AMERICAS Seagate Technology LLC 10200 South De Anza Boulevard, Cupertino, California 95014, United States, 408-658-1000*

*ASIA/PACIFIC Seagate Singapore International Headquarters Pte. Ltd. 7000 Ang Mo Kio Avenue 5, Singapore 569877, 65-6485-3888*

*EUROPE, MIDDLE EAST AND AFRICA Seagate Technology SAS 16-18 rue du Dôme, 92100 Boulogne-Billancourt, France, 33 1-4186 10 00*

*Publication Number: 100835908, Rev. C*

*June 2018*