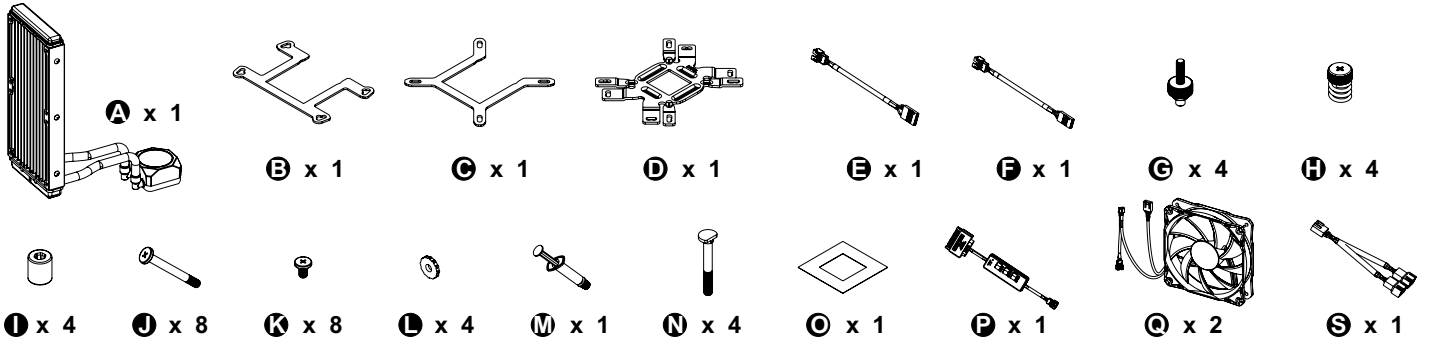
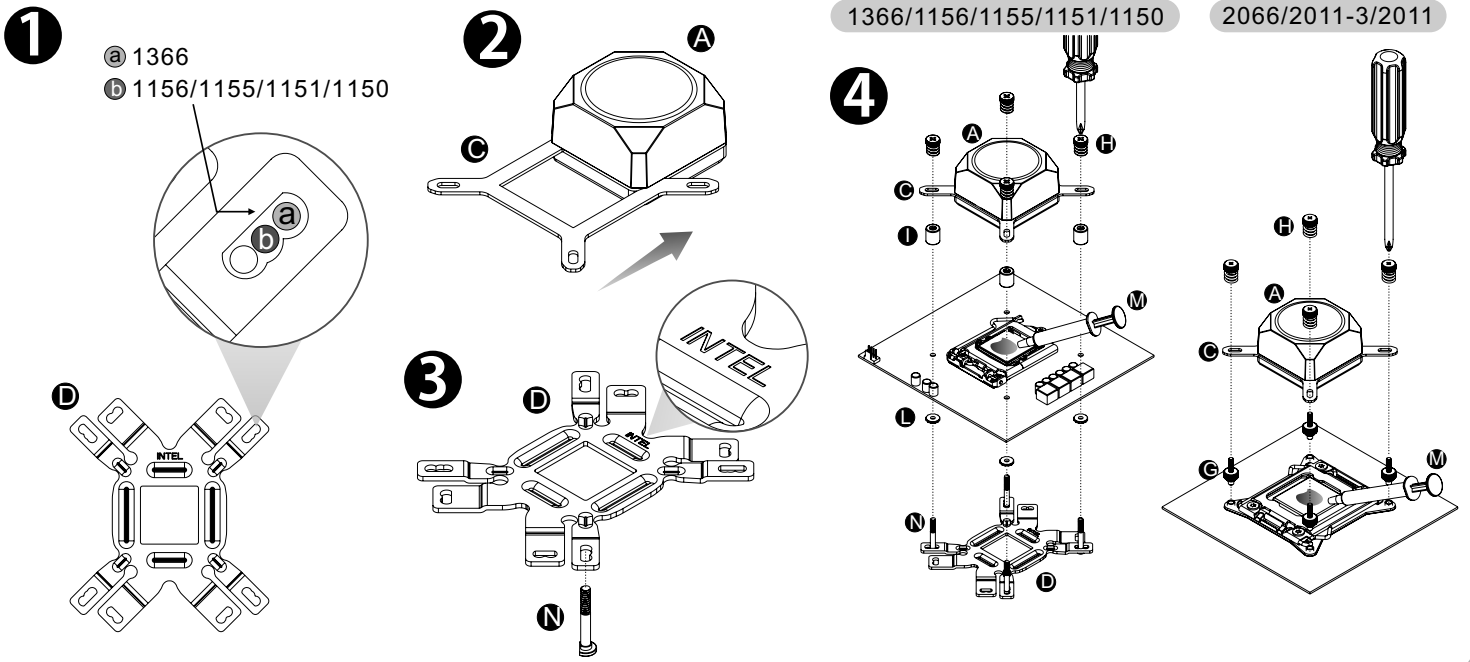


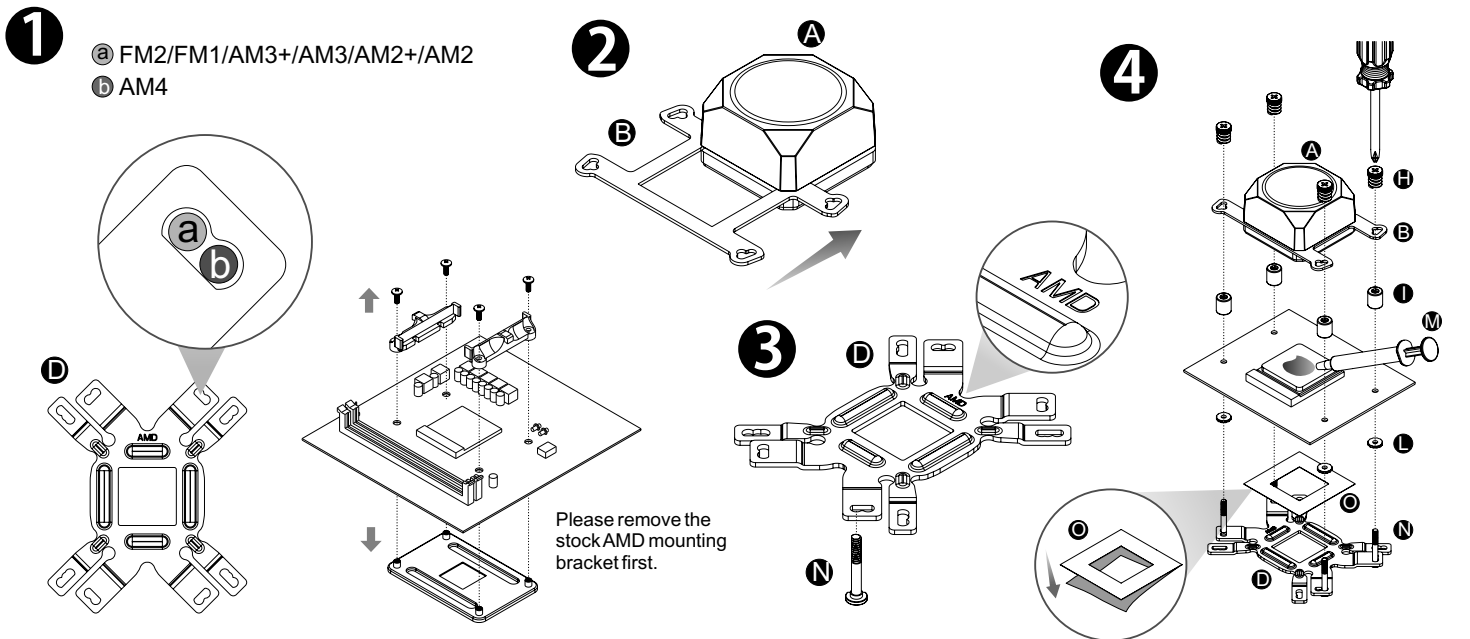
**Parts List**



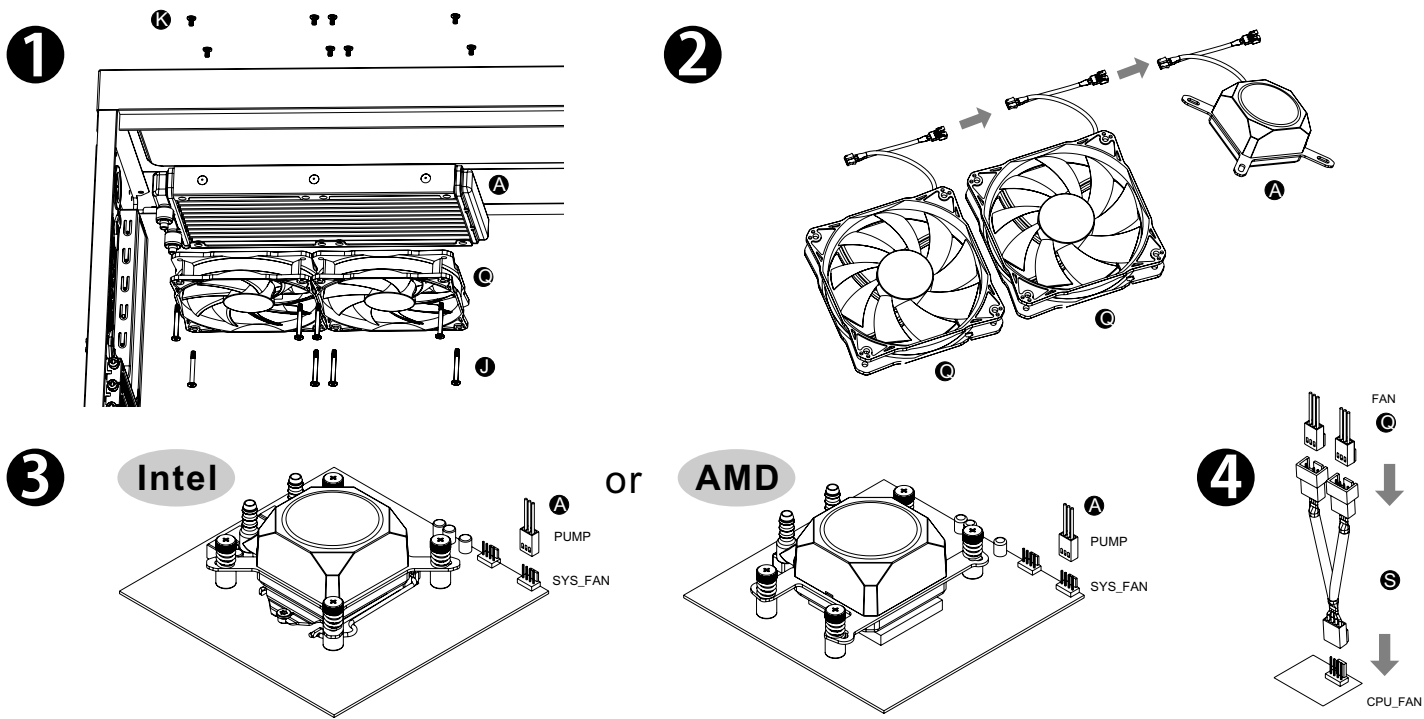
**Intel Installation Guide**



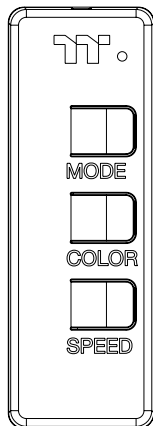
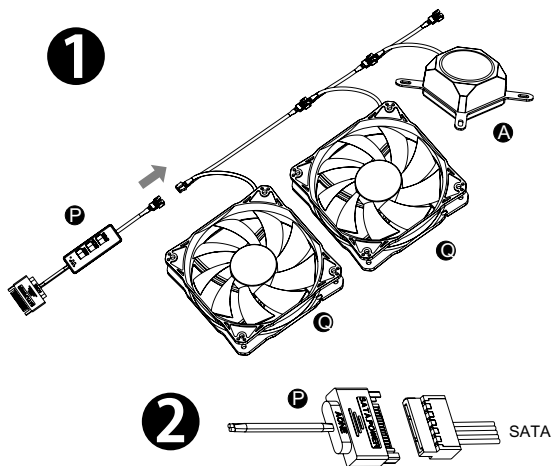
**AMD Installation Guide**



# Installation Guide



## ARGB Controller Installation Guide

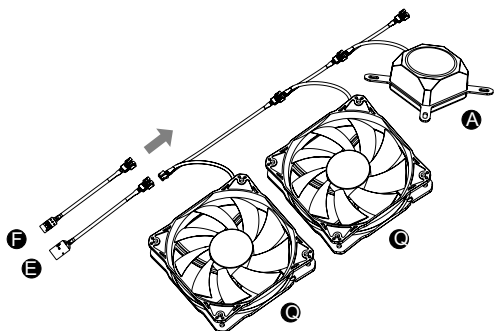


- Light Mode:**  
Switch over between 7 LED modes.  
Rainbow → Full light → RGB Spectrum → Off → Flow → Ripple → Pulse → Blink
- Color Mode:**  
**When light mode is in Full Lighted, Pulse and Blink :**  
Switch over 8 LED colors .  
Red → Yellow → Green → Teal → Blue → White → Purple → Rainbow  
**When light mode is in Ripple :**  
Switch over 7 LED colors .  
Red → Yellow → Green → Teal → Blue → White → Purple  
**When light mode is in RGB Spectrum:**  
Click to memorize and lock the color you want, click again to unlock the 256 colors auto rotation.  
**When light mode is in Wave and Flow :**  
LED color can not be adjusted.
- Light Speed:**  
Switch over between 4 light modes.  
Slow → Normal → Fast → Extreme

## MB SYNC Installation Guide

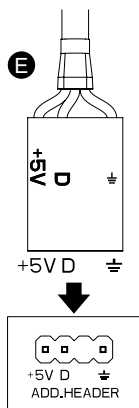
### CAUTION

Please power off the PC and check the Positive and Negative ends on the connector before connecting the cable to mainboard. Connecting the wrong end can damage the fans.



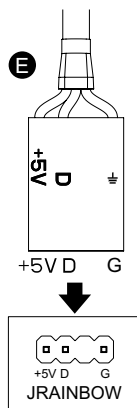
### ASUS/ASRock/BIOSTAR

Aura Addressable Strip Header(s)



### MSI

JRGB-strip Header(S)



### GIGABYTE

AOURS RGB Fusion with Digital LEDs

