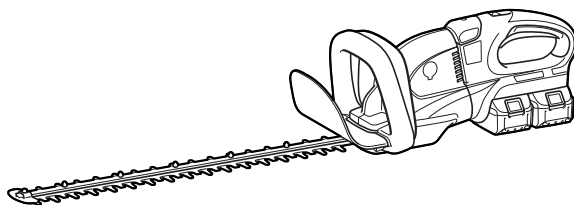




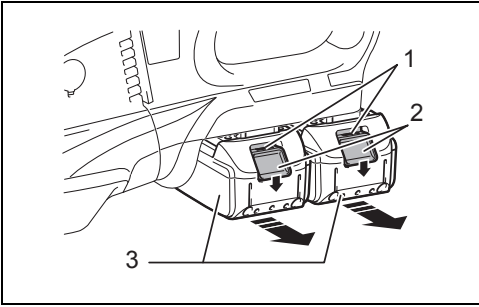
|           |   |                                |
|-----------|---|--------------------------------|
| <b>GB</b> | <b>Cordless Hedge Trimmer</b>           | <b>Instruction manual</b>      |
| <b>F</b>  | <b>Taille-haie sans fil</b>             | <b>Manuel d'instructions</b>   |
| <b>D</b>  | <b>Akku-Heckenschere</b>                | <b>Betriebsanleitung</b>       |
| <b>I</b>  | <b>Tagliasiepi a batteria</b>           | <b>Istruzioni per l'uso</b>    |
| <b>NL</b> | <b>Accuheggenschaar</b>                 | <b>Gebruiksaanwijzing</b>      |
| <b>E</b>  | <b>Cortasetos Inalámbrico</b>           | <b>Manual de instrucciones</b> |
| <b>P</b>  | <b>Aparador De Cerca Viva a Bateria</b> | <b>Manual de instruções</b>    |
| <b>DK</b> | <b>Batteridrevet hækkeklipper</b>       | <b>Brugsanvisning</b>          |
| <b>GR</b> | <b>Ψαλίδι Μπορντούρας Μπαταρίας</b>     | <b>Οδηγίες χρήσης</b>          |
| <b>TR</b> | <b>Akülü Çit Budama</b>                 | <b>Kullanım kılavuzu</b>       |

**DUH551**  
**DUH651**



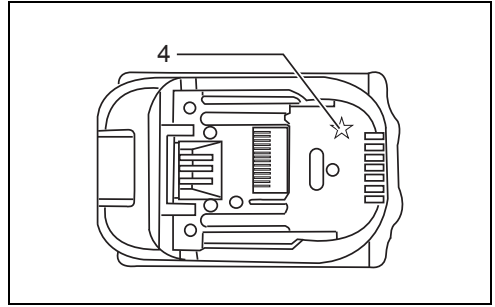
014621





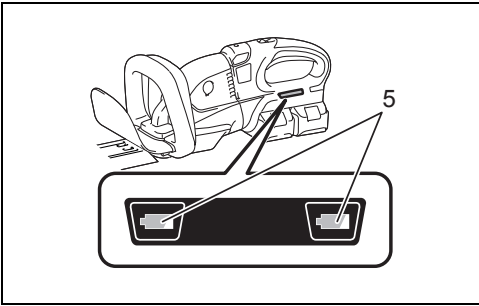
1

014633



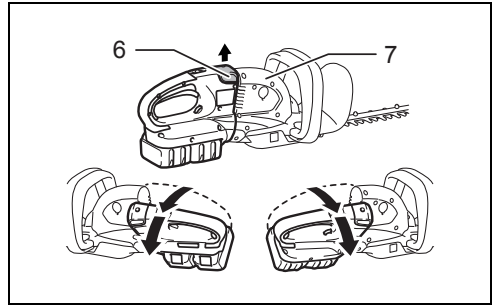
2

012128



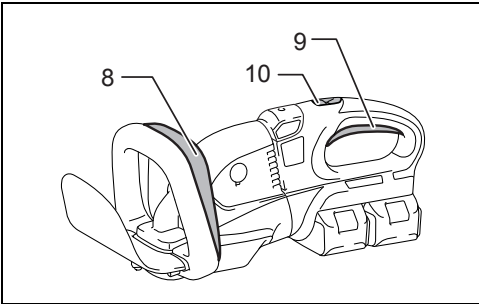
3

014634



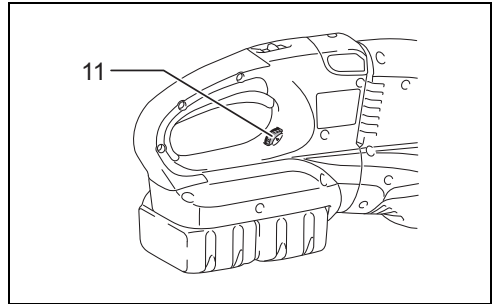
4

014624



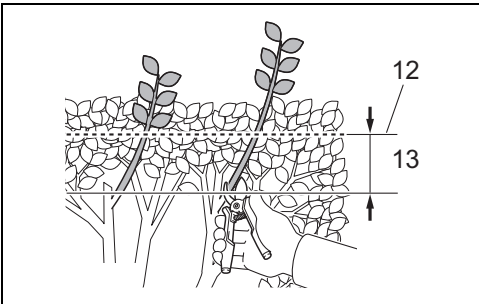
5

014622



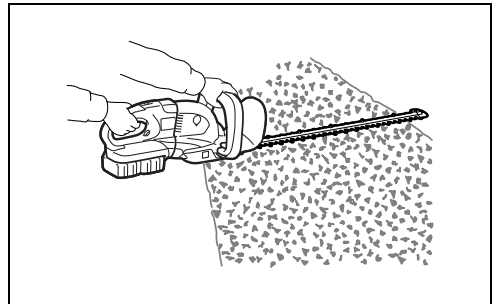
6

014623



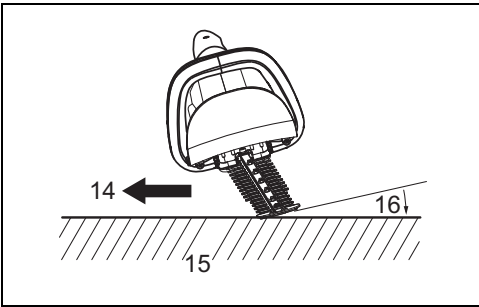
7

1020201



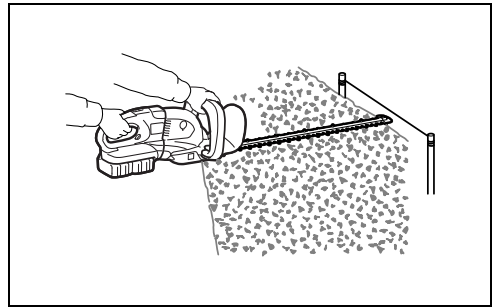
8

014626



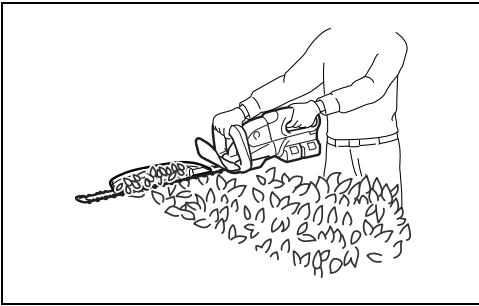
9

011262



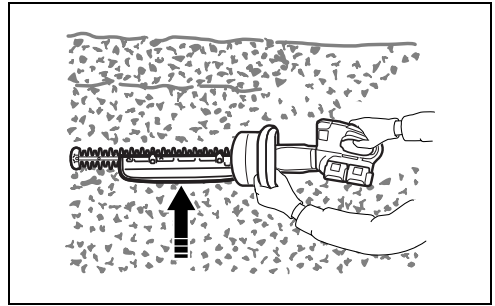
10

014627



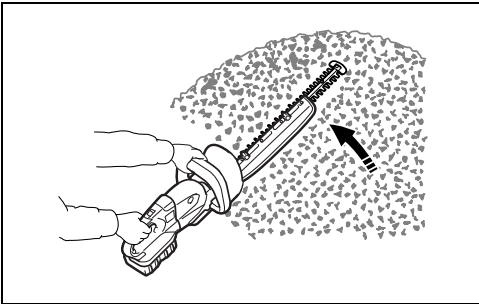
11

014628



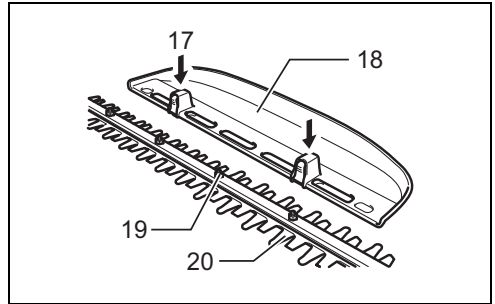
12

014625



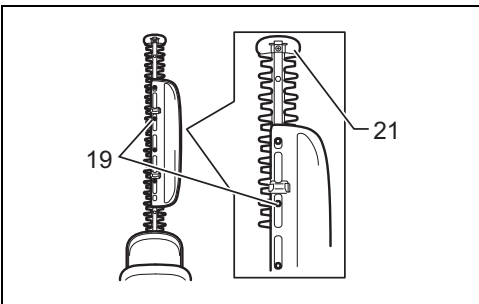
13

014629



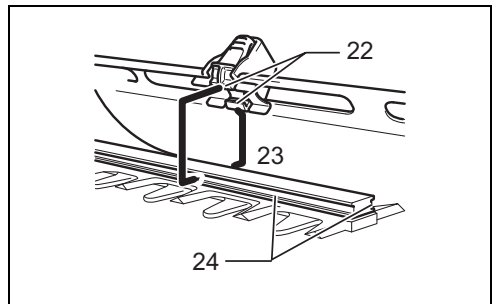
14

009290



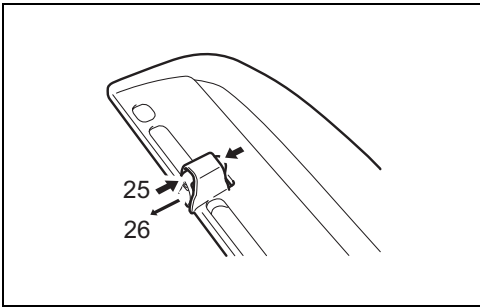
15

009291



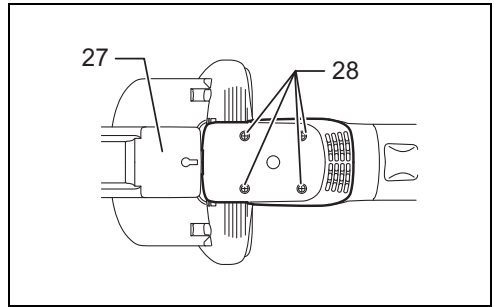
16

009292



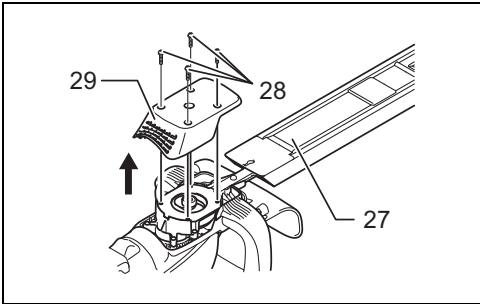
**17**

009293



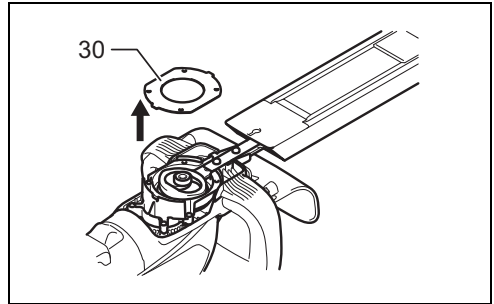
**18**

011157



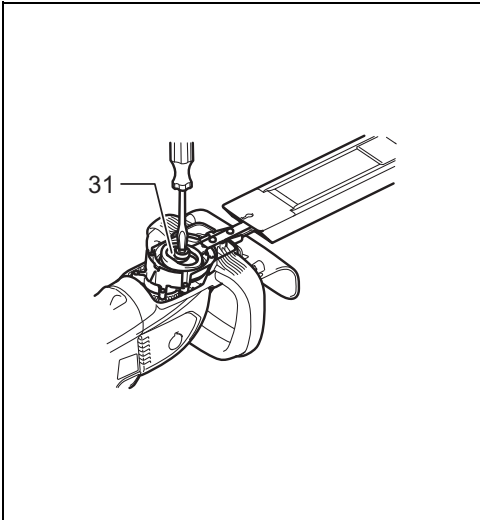
**19**

014772



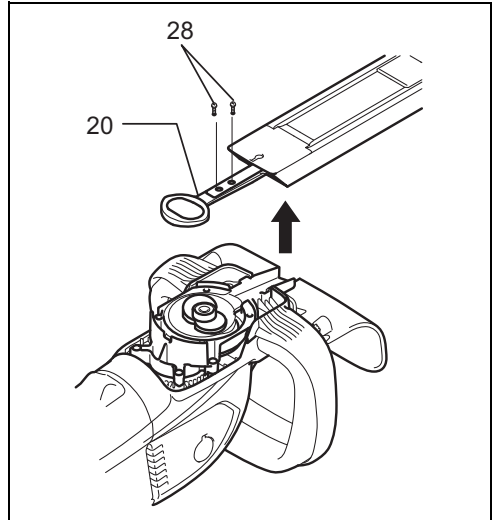
**20**

011159



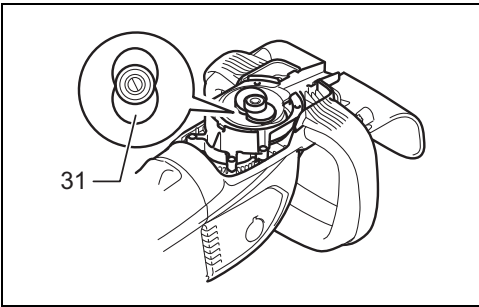
**21**

011256



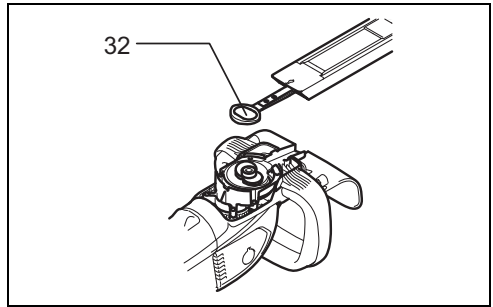
**22**

011257



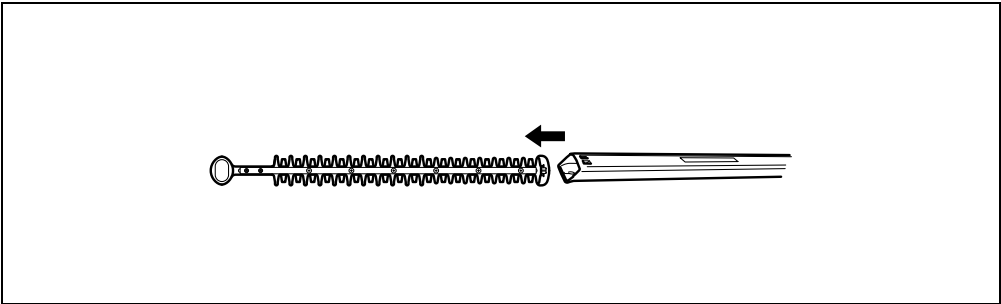
23

011258



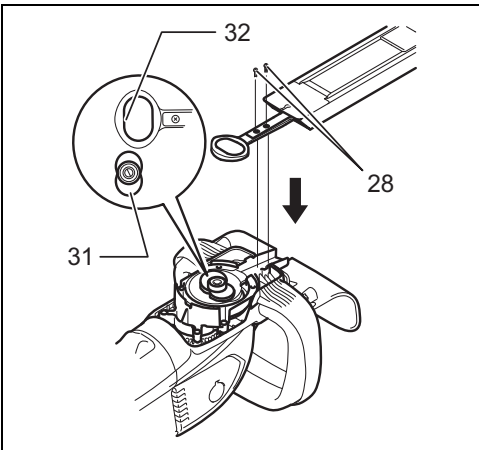
24

011259



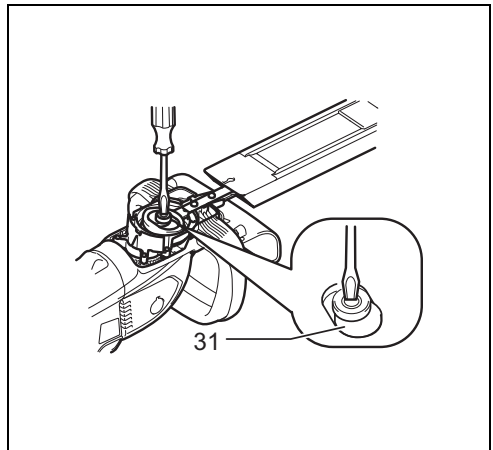
25

009302



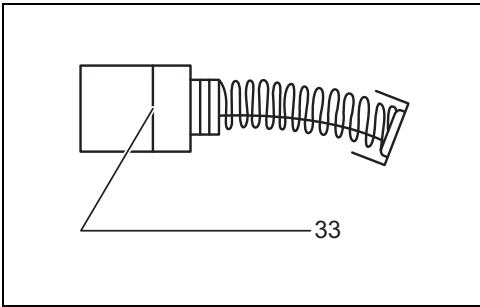
26

014773



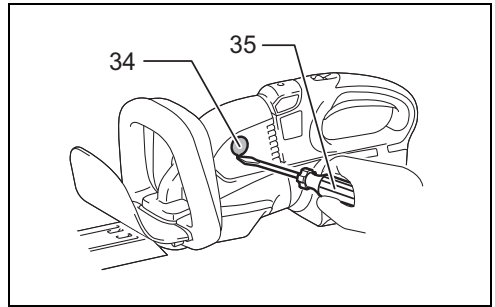
27

011261



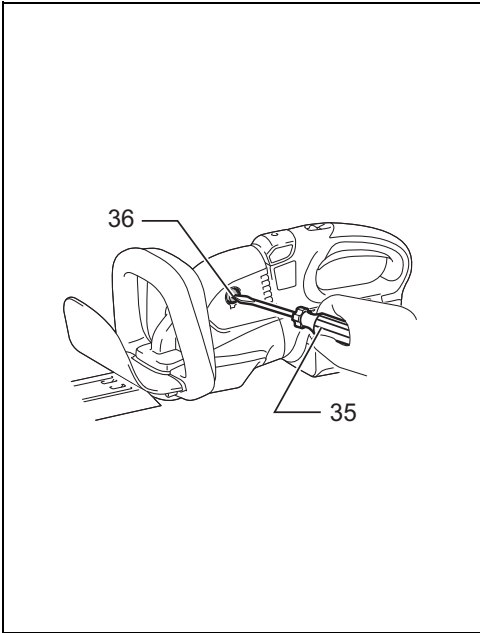
**28**

001145



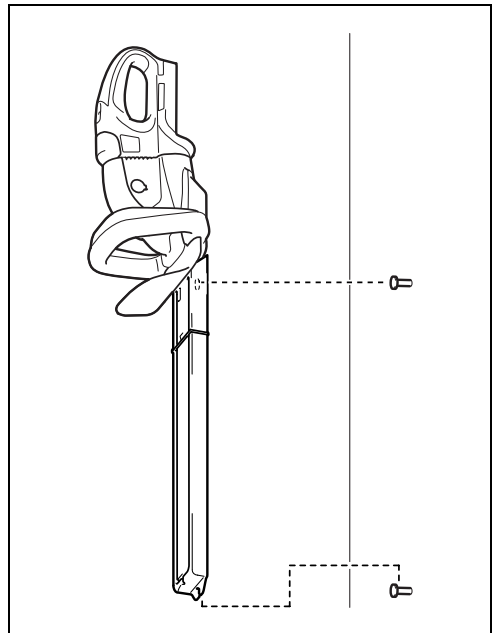
**29**

014630



**30**

014631



**31**

014632

## ENGLISH (Original instructions)

### Explanation of general view

- |                      |                                 |                                    |
|----------------------|---------------------------------|------------------------------------|
| 1. Red indicator     | 13. 10 cm                       | 25. Press the levers on both sides |
| 2. Button            | 14. Trimming direction          | 26. Unlock the hooks               |
| 3. Battery cartridge | 15. Hedge surface to be trimmed | 27. Blade cover                    |
| 4. Star marking      | 16. Tilt the blades             | 28. Screws                         |
| 5. Battery indicator | 17. Press                       | 29. Under cover                    |
| 6. Knob              | 18. Chip receiver               | 30. Plate                          |
| 7. Housing           | 19. Nut                         | 31. Crank                          |
| 8. Switch trigger B  | 20. Shear blade                 | 32. Oval hole of shear blade       |
| 9. Switch trigger A  | 21. Branch catcher              | 33. Limit mark                     |
| 10. Lock-off button  | 22. Hooks                       | 34. Holder cap cover               |
| 11. Adjusting dial   | 23. Fit the hooks into groove   | 35. Slotted screwdriver            |
| 12. Cutting height   | 24. Grooves                     | 36. Brush holder cap               |

## SPECIFICATIONS

|   |               |              |
|---|---------------|--------------|
| Model                                   | DUH551        | DUH651       |
| Blade length                            | 550 mm        | 650 mm       |
| Strokes per minute (min <sup>-1</sup> ) | 1,000 - 1,800 |              |
| Overall length                          | 1,065 mm      | 1,135 mm     |
| Rated voltage                           | D.C.36V       |              |
| Net weight                              | 4.6 - 5.3 kg  | 4.7 - 5.5 kg |

- Due to our continuing program of research and development, the specifications herein are subject to change without notice.
- Specifications may differ from country to country.
- The weight may differ depending on the attachment(s), including the battery cartridge. The lightest and heaviest combination, according to EPTA-Procedure 01/2014, are shown in the table.

## Applicable battery cartridge and charger

|                   |   |
|-------------------|---|
| Battery cartridge | BL1815N/BL1820/BL1820B/BL1830/BL1830B/BL1840/<br>BL1840B/BL1850/BL1850B/BL1860B |
| Charger           | DC18RC/DC18RD/DC18RE/DC18SD/DC18SE/DC18SF                                       |

- Some of the battery cartridges and chargers listed above may not be available depending on your region of residence.

### **WARNING:**

- **Only use the battery cartridges and chargers listed above.** Use of any other battery cartridges and chargers may cause injury and/or fire.

| Noise | Sound pressure level |                          | Sound power level      |                          | Applicable standard or directive |                        |
|-------|----------------------|--------------------------|------------------------|--------------------------|----------------------------------|------------------------|
|       | Model                | L <sub>PA</sub> (dB (A)) | Uncertainty K (dB (A)) | L <sub>PA</sub> (dB (A)) |                                  | Uncertainty K (dB (A)) |
|       | DUH551               | 81.5                     | 2.1                    | 91                       | 1.5                              | 2000/14/EC             |
|       | DUH651               | 82                       | 1.4                    | 91.1                     | 1.5                              |                        |

- Wear ear protection.

| Vibration | Model | Declared emission (m/s <sup>2</sup> ) | Uncertainty K (m/s <sup>2</sup> ) | Applicable standard or directive |
|-----------|-------|---------------------------------------|-----------------------------------|----------------------------------|
|           |       |                                       |                                   |                                  |

ENG901-1

### **WARNING:**

- The declared vibration emission value has been measured in accordance with the standard test method and may be used for comparing one tool with another.
- The declared vibration emission value may also be used in a preliminary assessment of exposure.
- The vibration emission during actual use of the power tool can differ from the declared emission value depending on the ways in which the tool is used.
- Be sure to identify safety measures to protect the operator that are based on an estimation of exposure in

the actual conditions of use (taking account of all parts of the operating cycle such as the times when the tool is switched off and when it is running idle in addition to the trigger time).

## Symbol

END013-5

The following show the symbols used for the equipment. Be sure that you understand their meaning before use.



..... Read instruction manual.



..... Do not expose to moisture.



..... Only for EU countries

Do not dispose of electric equipment or battery pack together with household waste material!

In observance of the European Directives, on Waste Electric and Electronic Equipment and Batteries and Accumulators and Waste Batteries and Accumulators and their implementation in accordance with national laws, electric equipment and batteries and battery pack(s) that have reached the end of their life must be collected separately and returned to an environmentally compatible recycling facility.

## Intended use

ENE014-1

The tool is intended for trimming hedges.

## EC Declaration of Conformity For European countries only

The EC declaration of conformity is included as Annex A to this instruction manual.

## General Power Tool Safety Warnings

GEA010-1

**⚠ WARNING** Read all safety warnings and all instructions. Failure to follow the warnings and instructions may result in electric shock, fire and/or serious injury.

## Save all warnings and instructions for future reference.

## Cordless Hedge Trimmer Safety Warnings

GEB062-7

1. **Keep all parts of the body away from the cutter blade. Do not remove cut material or hold material to be cut when blades are moving. Make sure the switch is off when clearing jammed material. Blades coast after turn off.** A moment of inattention while operating the hedge trimmer may result in serious personal injury.
2. **Carry the hedge trimmer by the handle with the cutter blade stopped. When transporting or storing the hedge trimmer always fit the cutting**

**device cover.** Proper handling of the hedge trimmer will reduce possible personal injury from the cutter blades.

3. **Hold the power tool by insulated gripping surfaces only, because the cutter blade may contact hidden wiring.** Cutter blades contacting a "live" wire may make exposed metal parts of the power tool "live" and could give the operator an electric shock.
4. **DANGER - Keep hands away from blade.** Contact with blade will result in serious personal injury.
5. **Do not use the hedge trimmer in the rain or in wet or very damp conditions.** The electric motor is not waterproof.
6. **First-time users should have an experienced hedge trimmer user show them how to use the trimmer.**
7. **The hedge trimmer must not be used by children or young persons under 18 years of age.** Young persons over 16 years of age may be exempted from this restriction if they are undergoing training under the supervision of an expert.
8. **Use the hedge trimmer only if you are in good physical condition.** If you are tired, your attention will be reduced. Be especially careful at the end of a working day. Perform all work calmly and carefully. The user is responsible for all damages to third parties.
9. **Never use the trimmer when under the influence of alcohol, drugs or medication.**
10. **Work gloves of stout leather are part of the basic equipment of the hedge trimmer and must always be worn when working with it. Also wear sturdy shoes with anti-skid soles.**
11. **Before starting work check to make sure that the trimmer is in good and safe working order. Ensure guards are fitted properly. The hedge trimmer must not be used unless fully assembled.**
12. **Make sure you have a secure footing before starting operation.**
13. **Hold the tool firmly when using the tool.**
14. **Do not operate the tool at no-load unnecessarily.**
15. **Immediately switch off the motor and remove the battery cartridge if the cutter should come into contact with a fence or other hard object. Check the cutter for damage, and if damaged repair immediately.**
16. **Before checking the cutter, taking care of faults, or removing material caught in the cutter, always switch off the trimmer and remove the battery cartridge.**
17. **Switch off the trimmer and remove the battery cartridge before doing any maintenance work.**
18. **When moving the hedge trimmer to another location, including during work, always remove the battery cartridge and put the blade cover on the cutter blades. Never carry or transport the trimmer with the cutter running. Never grasp the cutter with your hands.**
19. **Clean the hedge trimmer and especially the cutter after use, and before putting the trimmer into storage for extended periods. Lightly oil the cutter and put on the cover.** The cover supplied with the unit can be hung on the wall, providing a safe and practical way to store the hedge trimmer.



20. **Store the hedge trimmer with the cover on, in a dry room. Keep it out of reach of children. Never store the trimmer outdoors.**
21. **Never point the shear blades to yourself or others.**
22. **If the blades stop moving due to the stuck of foreign objects between the blades during operation, switch off the tool and remove the battery cartridge, and then remove the foreign objects using tools such as pliers.** Removing the foreign objects by hand may cause an injury for the reason that the blades may move in reaction to removing the foreign objects.

## SAVE THESE INSTRUCTIONS.

### **WARNING:**

**DO NOT let comfort or familiarity with product (gained from repeated use) replace strict adherence to safety rules for the subject product. MISUSE or failure to follow the safety rules stated in this instruction manual may cause serious personal injury.**

## IMPORTANT SAFETY INSTRUCTIONS FOR BATTERY CARTRIDGE

ENC007-12

1. **Before using battery cartridge, read all instructions and cautionary markings on (1) battery charger, (2) battery, and (3) product using battery.**
2. **Do not disassemble battery cartridge.**
3. **If operating time has become excessively shorter, stop operating immediately. It may result in a risk of overheating, possible burns and even an explosion.**
4. **If electrolyte gets into your eyes, rinse them out with clear water and seek medical attention right away. It may result in loss of your eyesight.**
5. **Do not short the battery cartridge:**
  - (1) **Do not touch the terminals with any conductive material.**
  - (2) **Avoid storing battery cartridge in a container with other metal objects such as nails, coins, etc.**
  - (3) **Do not expose battery cartridge to water or rain.**


**A battery short can cause a large current flow, overheating, possible burns and even a breakdown.**
6. **Do not store the tool and battery cartridge in locations where the temperature may reach or exceed 50°C (122°F).**
7. **Do not incinerate the battery cartridge even if it is severely damaged or is completely worn out. The battery cartridge can explode in a fire.**
8. **Be careful not to drop or strike battery.**
9. **Do not use a damaged battery.**
10. **The contained lithium-ion batteries are subject to the Dangerous Goods Legislation requirements.** For commercial transports e.g. by third parties, forwarding agents, special requirement on packaging and labeling must be observed. For preparation of the item being shipped, consulting an expert for hazardous material is required. Please

also observe possibly more detailed national regulations.

Tape or mask off open contacts and pack up the battery in such a manner that it cannot move around in the packaging.

11. **Follow your local regulations relating to disposal of battery.**
12. **Use the batteries only with the products specified by Makita.** Installing the batteries to non-compliant products may result in a fire, excessive heat, explosion, or leak of electrolyte.

## SAVE THESE INSTRUCTIONS.

 **CAUTION: Only use genuine Makita batteries.** Use of non-genuine Makita batteries, or batteries that have been altered, may result in the battery bursting causing fires, personal injury and damage. It will also void the Makita warranty for the Makita tool and charger.

### Tips for maintaining maximum battery life

1. **Charge the battery cartridge before completely discharged.**  
**Always stop tool operation and charge the battery cartridge when you notice less tool power.**
2. **Never recharge a fully charged battery cartridge. Overcharging shortens the battery service life.**
3. **Charge the battery cartridge with room temperature at 10°C - 40°C (50°F - 104°F). Let a hot battery cartridge cool down before charging it.**
4. **Charge the battery cartridge if you do not use it for a long period (more than six months).**

## FUNCTIONAL DESCRIPTION

### **CAUTION:**

- Always be sure that the tool is switched off and the battery cartridge is removed before adjusting or checking function on the tool.

### Installing or removing battery cartridge (Fig. 1)

#### **CAUTION:**

- Always switch off the tool before installing or removing of the battery cartridge.
- **Hold the tool and the battery cartridge firmly when installing or removing battery cartridge.** Failure to hold the tool and the battery cartridge firmly may cause them to slip off your hands and result in damage to the tool and battery cartridge and a personal injury.

To remove the battery cartridge, slide it from the tool while sliding the button on the front of the cartridge.

To install the battery cartridge, align the tongue on the battery cartridge with the groove in the housing and slip it into place. Insert it all the way until it locks in place with a little click. If you can see the red indicator on the upper side of the button, it is not locked completely.

#### **CAUTION:**

- Always install the battery cartridge fully until the red indicator cannot be seen. If not, it may accidentally fall out of the tool, causing injury to you or someone around you.

- Do not install the battery cartridge forcibly. If the cartridge does not slide in easily, it is not being inserted correctly.

**NOTE:**

- The tool does not work with only one battery cartridge.

### Tool/battery protection system

The tool is equipped with a tool/battery protection system. This system automatically cuts off power to the motor to extend tool and battery life.

The tool will automatically stop during operation if the tool or battery are placed under one of the following conditions. In some conditions, the indicators light up.

### Overload protection

When the tool is operated in a manner that causes it to draw an abnormally high current, the tool automatically stops without any indication. In this situation, turn the tool off and stop the application that caused the tool to become overloaded. Then turn the tool on to restart.

### Overheat protection for tool/battery

When the tool/battery is overheated, the tool stops automatically without any indication. The tool does not start even if pulling the switch trigger. In this situation, let the tool/battery cool before turning the tool on again.

**NOTE:**

The battery overheat protection works only with a battery cartridge with a star marking. (Fig. 2)

### Overdischarge protection (Fig. 3)

When the remaining battery capacity gets low, the battery indicator blinks on the applicable battery side. By further use, the tool stops and the battery indicator lights up about 10 seconds. In this situation, charge the battery cartridge.

### Handle mounting positions

**⚠ CAUTION:**

- Always make sure that the handle is locked in the desired position before operation. (Fig. 4)

Depending on the operations, you can set the angle of the handle either 45° or 90° position on left or right. To turn the handle, pull the knob and turn the handle as shown in the figure. The handle is locked in 45° position. To turn the handle to 90° position, pull the knob again and turn the handle more.

### Switch action

**⚠ CAUTION:**

- Before inserting the battery cartridge into the tool, always check to see that the switch trigger actuates properly and returns to the "OFF" position when released. (Fig. 5)

For your safety, this tool has a dual switching system. To turn on the tool, press the lock-off button and press the switch trigger A and B. To turn off the switch, release either one of the switch triggers. The tool only starts when pulling the both switch triggers.

### Speed change (Fig. 6)

The strokes per minute can be adjusted just by turning the adjusting dial. This can be done even while the tool is running. The dial is marked 1 (lowest speed) to 6 (full speed).

Refer to the table below for the relationship between the number settings on the adjusting dial and the strokes per minute.

| Number on adjusting dial | Strokes per minute (min <sup>-1</sup> ) |
|--------------------------|---|
| 6                        | 1,800                                   |
| 5                        | 1,750                                   |
| 4                        | 1,650                                   |
| 3                        | 1,500                                   |
| 2                        | 1,300                                   |
| 1                        | 1,000                                   |

011264

**⚠ CAUTION:**

- The speed adjusting dial can be turned only as far as 6 and back to 1. Do not force it past 6 or 1, or the speed adjusting function may no longer work.
- The strokes per minute vary by the conditions of battery cartridge and shear blades.

### OPERATION

**⚠ CAUTION:**

- Be careful not to accidentally contact a metal fence or other hard objects while trimming. The blade will break and may cause serious injury.
- Overreaching with a hedge trimmer, particularly from a ladder, is extremely dangerous. Do not work from anything wobbly or infirm.

**NOTICE:**

**Do not attempt to cut branches thicker than 10 mm in diameter with the tool.** Cut branches to 10 cm lower than the cutting height using branch cutters before using the tool. (Fig. 7)

**⚠ CAUTION:**

- Do not cut off dead trees or similar hard objects. Failure to do so may damage the tool. (Fig. 8)

Hold the trimmer with both hands and pull the switch trigger A or B and then move it in front of your body. (Fig. 9)

As a basic operation, tilt the blades towards the trimming direction and move it calmly and slowly at the speed rate of 3 - 4 seconds per meter. (Fig. 10)

To cut a hedge top evenly, it helps to tie a string at the desired hedge height and to trim along it, using it as a reference line. (Fig. 11)

Attaching the chip receiver (optional accessory) on the tool when trimming the hedge straight can avoid cut off leaves' being thrown away. (Fig. 12)

Rotate the handle for your easy handling before operation. Refer to the section titled "Handle mounting positions".

To cut a hedge side evenly, it helps to cut from the bottom upwards. (Fig. 13)

Trim boxwood or rhododendron from the base toward the top for a nice appearance and good job.

## Installing or removing chip receiver (optional accessory)

### CAUTION:

- Always be sure that the tool is switched off and the battery cartridge is removed before installing or removing chip receiver.

### NOTE:

- When replacing the chip receiver, always wear gloves so that hands and face does not directly contact the blade. Failure to do so may cause personal injury.
- Always be sure to remove the blade cover before installing the chip receiver.
- The chip receiver receives cut-off leaves and alleviates collecting thrown-away leaves. This can be installed on either side of the tool. (Fig. 14)

Press the chip receiver on the shear blades so that its slits overlap with the nuts on the shear blades. At this time, make sure that the chip receiver does not contact branch catcher at the top of the shear blades. (Fig. 15)

At this time, the chip receiver needs to be installed so that its hooks fit into grooves in the shear blade unit. (Fig. 16)  
To remove the chip receiver, press its lever on both sides so that the hooks are unlocked. (Fig. 17)

### CAUTION:

- The blade cover cannot be installed on the tool with the chip receiver being installed. Before carrying or storing, uninstall the chip receiver and then install the blade cover to avoid blade exposure.

### NOTE:

- Check the chip receiver for secure installment before use.
- Never try to uninstall the chip receiver by an excessive force with its hooks locked in the blade unit grooves. Using the excessive force may damage it.

## MAINTENANCE

### CAUTION:

- Always be sure that the tool is switched off and the battery cartridge is removed before attempting to perform inspection or maintenance.
- Never use gasoline, benzine, thinner, alcohol or the like. Discoloration, deformation or cracks may result.

## Cleaning the tool

Clean out the tool by wiping off dust with a dry or soap-dipped rag.

## Blade maintenance

Smear the blade before and once per hour during operation using machine oil or similars.

### NOTE:

- Before smearing the blade, remove the chip receiver. After operation, remove dust from both sides of the blade with wired brush, wipe it off with a rag and then apply enough low-viscosity oil, such as machine oil etc. and spray-type lubricating oil.

### CAUTION:

- Do not wash the blades in water. Failure to do so may cause rust or damage on the tool.

### NOTICE:

If the parts other than the shear blades such as the crank are worn out, ask Makita Authorized Service Centers for parts replacement or repairs.

## Removing or installing shear blade

### CAUTION:

- Before removing or installing shear blade, always be sure that the tool is switched off and the battery cartridge is removed.
- When replacing the shear blade, always wear gloves without removing blade cover so that hands and face does not directly contact the blade. Failure to do so may cause personal injury.

### NOTE:

- Do not wipe off grease from the gear and crank. Failure to do so may cause damage to the tool.
- For specific way of removing and installing shear blades refer to the reverse of a package for accessory shear blades.

## Removing the shear blades

Reverse the tool and loosen four screws. (Fig. 18)

### NOTE:

- Be careful not to get your hands dirty as grease is applied in the shear blade driving area.

Remove the under cover. (Fig. 19)

Remove the plate. (Fig. 20)

Set the crank at the angle as shown in the figure with a slotted screwdriver. (Fig. 21)

Remove two screws from the shear blades and the shear blade unit will be taken out. (Fig. 22)

### CAUTION:

- Return the gear to the original position in such a manner as it was installed if it should be taken away by mistake.

## Installing the shear blades

Prepare 4 removed screws (For under cover), 2 screws (For shear blade), plate, under cover, and new shear blades.

Adjust the crank position as shown in the figure. At this time, apply some grease provided with new shear blades to the periphery of the crank. (Fig. 23)

Overlap the oval hole in the upper blade with that in the lower one. (Fig. 24)

Take out the blade cover from the old shear blades and fit it onto the new ones for easy handling during the replacement of blades. (Fig. 25)

Place the new shear blades on the tool so that the oval holes in the shear blades fit onto the crank. Overlap the holes in the shear blades with the screw holes in the tool and then secure them with two screws. (Fig. 26)

Check the crank for smooth turn with a slotted screwdriver. (Fig. 27)

Install the plate, under cover on the tool. Tighten the screw firmly.

### NOTE:

- There is no distinction between the top and bottom of the plate.

Remove the blade cover and then turn on the tool to check it for proper movement.

**NOTE:**

- When the shear blades does not operate properly, there is a poor fit between the blades and crank. Redo from the beginning.

### Replacing carbon brushes (Fig. 28)

Remove and check the carbon brushes regularly. Replace when they wear down to the limit mark. Keep the carbon brushes clean and free to slip in the holders. Both carbon brushes should be replaced at the same time. Use only identical carbon brushes. (Fig. 29)

Insert the top end of slotted screwdriver into the notch in the tool and remove the holder cap cover by lifting it up.

**(Fig. 30)**

Use a slotted screwdriver to remove the brush holder caps. Take out the worn carbon brushes, insert the new ones and secure the brush holder caps.

Reinstall the holder cap cover on the tool.

### Storage

The hook hole in the bottom of the blade cover is convenient for hanging the tool from a nail or screw on the wall. (Fig. 31)

Remove the battery cartridge and put the blade cover on the shear blades so that the blades are not exposed.

Store the tool out of the reach of children carefully.

Store the tool in the place not exposed to water and rain.

To maintain product SAFETY and RELIABILITY, repairs, any other maintenance or adjustment should be performed by Makita Authorized Service Centers, always using Makita replacement parts.

## OPTIONAL ACCESSORIES

 **CAUTION:**

- These accessories or attachments are recommended for use with your Makita tool specified in this manual. The use of any other accessories or attachments might present a risk of injury to persons. Only use accessory or attachment for its stated purpose.

If you need any assistance for more details regarding these accessories, ask your local Makita Service Center.

- Blade cover
- Shear blade assembly
- Makita genuine battery and charger
- Chip receiver

**NOTE:**

- Some items in the list may be included in the tool package as standard accessories. They may differ from country to country.

# FRANÇAIS (Instructions d'origine)

## Descriptif

- |                          |  |  |
|--------------------------|--|--|
| 1. Voyant rouge          | 15. Surface de la haie à tailler           | 27. Couvercle de protection de la lame |
| 2. Bouton                | 16. Inclinez les lames                     | 28. Vis                                |
| 3. Batterie              | 17. Appuyer                                | 29. Couvercle secondaire               |
| 4. Étoile                | 18. Récepteur de copeaux                   | 30. Plateau                            |
| 5. Voyant de la batterie | 19. Écrou                                  | 31. Bielle                             |
| 6. Bouton                | 20. Lame de cisailles                      | 32. Trou ovale de la lame de cisailles |
| 7. Carter                | 21. Récepteur de branches                  | 33. Repère d'usure                     |
| 8. Gâchette B            | 22. Crochets                               | 34. Cache du bouchon de porte-charbon  |
| 9. Gâchette A            | 23. Installez les crochets dans la rainure | 35. Tournevis à tête fendue            |
| 10. Bouton de sécurité   | 24. Rainures                               | 36. Bouchon de porte-charbon           |
| 11. Cadran de réglage    | 25. Appuyez des deux côtés des leviers     |  |
| 12. Hauteur de coupe     |  |  |
| 13. 10 mm                |  |  |
| 14. Sens de la taille    | 26. Déverrouillez les crochets             |  |

## SPÉCIFICATIONS

|  |               |              |
|--|---------------|--------------|
| Modèle                                 | DUH551        | DUH651       |
| Longueur de la lame                    | 550 mm        | 650 mm       |
| Passes par minute (min <sup>-1</sup> ) | 1 000 - 1 800 |              |
| Longueur totale                        | 1 065 mm      | 1 135 mm     |
| Tension nominale                       | 36 V CC       |              |
| Poids net                              | 4,6 - 5,3 kg  | 4,7 - 5,5 kg |

- Étant donné l'évolution constante de notre programme de recherche et de développement, les spécifications contenues dans ce manuel sont sujettes à des modifications sans préavis.
- Les spécifications peuvent varier suivant les pays.
- Le poids peut varier en fonction des pièces complémentaires, notamment de la batterie. La combinaison la plus légère et la combinaison la plus lourde, selon la procédure EPTA du 01/2014, sont présentées dans le tableau.

## Batterie standard et chargeur applicables

|          |   |
|----------|---|
| Batterie | BL1815N/BL1820/BL1820B/BL1830/BL1830B/BL1840/BL1840B/BL1850/BL1850B/BL1860B |
| Chargeur | DC18RC/DC18RD/DC18RE/DC18SD/DC18SE/DC18SF                                   |

- Certains types de batterie et de chargeurs répertoriés ci-dessus peuvent ne pas être disponibles en fonction de votre région ou lieu de résidence.

### AVERTISSEMENT :

- **Utilisez uniquement les batteries et chargeurs indiqués ci-dessus.** L'utilisation de toute autre batterie ou d'un autre chargeur peut provoquer des blessures et/ou déclencher un incendie.

| Bruit  | Niveau de pression sonore |                          | Niveau de puissance sonore |                          | Norme ou directive applicable |
|--------|---------------------------|--------------------------|----------------------------|--------------------------|-------------------------------|
|        | Modèle                    | L <sub>PA</sub> (dB (A)) | Incertitude K (dB (A))     | L <sub>PA</sub> (dB (A)) |                               |
| DUH551 | 81,5                      | 2,1                      | 91                         | 1,5                      | 2000/14/CE                    |
| DUH651 | 82                        | 1,4                      | 91,1                       | 1,5                      |                               |

- Portez des protections auditives.

| Vibrations | Modèle | Émissions déclarées (m/s <sup>2</sup> ) | Incertitude K (m/s <sup>2</sup> ) | Norme ou directive applicable |
|------------|--------|---|-----------------------------------|-------------------------------|
|            |        |   |                                   |                               |

- La valeur de l'émission des vibrations déclarée a été mesurée conformément à la méthode de test standard **ENG901-1** et peut être utilisée afin de comparer des outils entre eux.

- La valeur de l'émission des vibrations déclarée peut également être utilisée lors d'une évaluation préliminaire de l'exposition.

### **AVERTISSEMENT :**

- Selon la manière dont l'outil est utilisé, il est possible que l'émission des vibrations pendant l'utilisation réelle de l'outil électrique diffère de la valeur de l'émission déclarée.
- Veuillez à identifier les mesures de sécurité destinées à protéger l'opérateur et établies en fonction de l'estimation de l'exposition dans les conditions réelles d'utilisation (en prenant en compte toutes les étapes du cycle de fonctionnement, telles que les périodes de mise hors tension de l'outil, les périodes de fonctionnement au ralenti et les périodes de mise en route).

### **Symboles**

END013-5

Les symboles utilisés pour l'appareil sont indiqués ci-dessous. Assurez-vous d'avoir bien compris leur signification avant d'utiliser l'appareil.



..... Reportez-vous au manuel d'instructions.



..... Tenez l'appareil à l'abri de l'humidité.



..... Pour les pays européens uniquement Ne pas jeter les appareils électriques et les bloc-batteries dans les ordures ménagères ! Conformément aux directives européennes relatives aux déchets d'équipements électriques ou électroniques (DEEE) ainsi qu'aux batteries, aux accumulateurs et aux batteries et accumulateurs usagés et à leur transposition dans la législation nationale, les appareils électriques, les batteries et les bloc-batteries doivent être collectés à part et être soumis à un recyclage respectueux de l'environnement.

### **Utilisations**

ENE014-1

Cet outil est conçu pour le taillage des haies.


### **Déclaration de conformité CE**

#### **Pour les pays d'Europe uniquement**

La Déclaration de conformité CE figure en Annexe A du présent mode d'emploi.

## **Consignes de sécurité générales des outils électriques**

GEA010-1

 **AVERTISSEMENT** Veuillez lire toutes les consignes de sécurité et les instructions. Il y a un risque de choc électrique, d'incendie et/ou de blessure grave si les consignes et les instructions ne sont pas toutes respectées.

## **Conservez toutes les consignes et instructions pour référence ultérieure.**

## **Consignes de sécurité pour taille-haie sans fil**

GEB062-7

1. **Prenez soin de n'approcher aucune partie du corps de la lame de coupe. Ne retirez pas le matériau coupé, ni ne tenez le matériau à couper lorsque les lames sont en mouvement. La lame continue de tourner même après la mise hors tension. Assurez-vous que le commutateur est éteint lorsque vous dégagez un matériau bloqué.** Un moment d'inattention en cours d'utilisation du taille-haie peut entraîner des blessures graves.
2. **Transportez le taille-haie par la poignée avec la lame de coupe arrêtée. Lors du transport ou du rangement du taille-haie, mettez toujours en place le couvercle du dispositif de coupe.** Une manipulation correcte du taille-haie réduira le risque de blessure présenté par les lames de coupe.
3. **Tenez l'outil électrique uniquement par ses surfaces de prise isolées, car la lame de coupe pourrait entrer en contact avec le câblage caché.** Le contact des lames de coupe avec un fil sous tension peut transmettre du courant dans les pièces métalliques exposées de l'outil électrique et électrocuter l'utilisateur.
4. **DANGER - Gardez vos mains à l'écart de la lame.** Le contact avec la lame présente un risque de graves blessures corporelles.
5. **N'utilisez pas le taille-haie sous la pluie ou dans des conditions mouillées ou très humides.** Le moteur électrique n'est pas étanche.
6. **Les utilisateurs novices doivent être formés par un utilisateur de taille-haie expérimenté pour leur montrer comment l'utiliser.**
7. **Le taille-haie ne doit pas être utilisé par des enfants ou des adolescents de moins de 18 ans.** Cette restriction peut ne pas s'appliquer aux mineurs de plus de 16 ans s'ils sont en cours de formation sous la surveillance d'un expert.
8. **N'utilisez le taille-haie que si vous êtes en bonne condition physique.** Si vous êtes fatigué, votre attention sera réduite. Redoublez de précaution à la fin d'une journée de travail. Travaillez toujours en faisant preuve de calme et de prudence. L'utilisateur est responsable de tous les dommages causés à des tiers.
9. **N'utilisez jamais le taille-haie lorsque vous êtes sous l'influence d'alcool, de drogues ou de médicaments.**
10. **Les gants de travail en cuir robuste font partie de l'équipement de base du taille-haie et leur port est obligatoire pendant que vous l'utilisez. Portez également des chaussures solides à semelles antidérapantes.**
11. **Avant de commencer la tâche, assurez-vous que le taille-haie est dans un bon état de marche sécuritaire. Assurez-vous que les carters de protection sont correctement installés. Le taille-**

haie ne doit pas être utilisé tant qu'il n'est pas complètement assemblé.

12. Assurez-vous que vous avez une bonne assise avant la mise en marche.
13. Tenez l'outil fermement lorsque vous l'utilisez.
14. Ne faites pas tourner l'outil à vide inutilement.
15. Coupez immédiatement le moteur et retirez la batterie si le coupoir entre en contact avec une clôture ou un autre objet dur. Vérifiez si le coupoir est endommagé et réparez-le sur-le-champ, le cas échéant.
16. Avant de vérifier le coupoir, de le dépanner ou de retirer les matériaux pris dedans, éteignez toujours le taille-haie et retirez la batterie.
17. Éteignez le taille-haie et retirez la batterie avant de procéder à l'entretien.
18. Lorsque vous déplacez le taille-haie dans un autre endroit, y compris pendant le travail, retirez toujours la batterie et placez le couvre-lame sur les lames de coupe. Ne transportez jamais le taille-haie avec le coupoir fonctionnant. Ne saisissez jamais le coupoir avec les mains.
19. Nettoyez le taille-haie et particulièrement le coupoir après utilisation et avant de le ranger pendant une période prolongée. Huilez légèrement le coupoir et mettez le couvercle en place. Le couvercle fourni avec l'appareil peut être accroché au mur, fournissant un moyen sûr et pratique pour ranger le taille-haie.
20. Rangez le taille-haie avec son couvercle en place dans une pièce sèche. Gardez-le hors de portée des enfants. Ne rangez jamais le taille-haie à l'extérieur.
21. Ne dirigez jamais les lames de cisaille vers vous-même ou quelqu'un d'autre.
22. Si les lames cessent de bouger, car des corps étrangers sont collés entre elles pendant le fonctionnement, éteignez l'outil et retirez la batterie, puis ôtez les corps étrangers en utilisant un outil comme une pince. Ôter les corps étrangers à la main présente un risque de blessure, du fait que les lames peuvent bouger en réaction au retrait des corps étrangers.

## CONSERVEZ CES INSTRUCTIONS.

### AVERTISSEMENT :

NE vous laissez PAS tromper (au fil d'une utilisation répétée) par un sentiment d'aisance et de familiarité avec le produit, en négligeant le respect rigoureux des consignes de sécurité qui accompagnent le produit en question. La MAUVAISE UTILISATION de l'outil ou l'ignorance des consignes de sécurité indiquées dans ce mode d'emploi peut entraîner de graves blessures.

## CONSIGNES DE SECURITE IMPORTANTES POUR LA BATTERIE

ENC007-12

1. Avant d'utiliser la batterie, veuillez lire toutes les instructions et tous les avertissements inscrits

sur (1) le chargeur, (2) la batterie et (3) l'appareil alimenté par la batterie.

2. Ne démontez pas la batterie.
3. Cessez immédiatement d'utiliser l'outil si le temps de fonctionnement devient excessivement court. Il y a risque de surchauffe, de brûlures, voire d'explosion.
4. Si l'électrolyte pénètre dans vos yeux, rincez-les à l'eau claire et consultez immédiatement un médecin. Il y a risque de perte de la vue.
5. Évitez de court-circuiter la batterie :
  - (1) Ne touchez les bornes avec aucun matériau conducteur.
  - (2) Évitez de ranger la batterie dans un contenant où se trouvent d'autres objets métalliques tels que des clous, pièces de monnaie, etc.
  - (3) N'exposez pas la batterie à l'eau ou à la pluie.
- Un court-circuit de la batterie risque de provoquer un fort courant, une surchauffe, parfois des brûlures et même une panne.
6. Ne rangez pas l'outil ou la batterie dans des endroits où la température risque d'atteindre ou de dépasser 50 °C (122 °F).
7. Ne jetez pas la batterie au feu même si elle est sérieusement endommagée ou complètement épuisée. La batterie peut exploser au contact du feu.
8. Veillez à ne pas laisser tomber ou heurter la batterie.
9. N'utilisez pas de batterie endommagée.
10. Les batteries au lithium-ion contenues sont soumises aux exigences de la législation sur les marchandises dangereuses.

Lors du transport commercial par des tiers parties ou des transitaires par exemple, des exigences spécifiques en matière d'étiquetage et d'emballage doivent être respectées.

Pour la préparation de l'article expédié, il est nécessaire de consulter un expert en matériau dangereux. Veuillez également respecter les réglementations nationales susceptibles d'être plus détaillées.

Recouvrez les contacts exposés avec du ruban adhésif ou du ruban de masquage et emballez la batterie de telle sorte qu'elle ne puisse pas bouger dans l'emballage.

11. Respectez les réglementations locales relatives à la mise au rebut des batteries.
12. Utilisez les batteries uniquement avec les produits spécifiés par Makita. L'installation des batteries sur des produits non conformes peut entraîner un incendie, une chaleur excessive, une explosion ou une fuite d'électrolyte.

## CONSERVEZ CES INSTRUCTIONS.

### ATTENTION : N'utilisez que des batteries Makita d'origine.

L'utilisation de batteries de marque autre que Makita ou de batteries modifiées peut provoquer l'explosion des batteries, ce qui présente un risque d'incendie, de dommages matériels et corporels. Cela annulera

également la garantie Makita pour l'outil et le chargeur Makita.

## Conseils pour assurer la durée de vie optimale de la batterie

1. **Rechargez la batterie avant qu'elle ne soit complètement épuisée.**  
**Arrêtez toujours l'outil et rechargez la batterie quand vous constatez que la puissance de l'outil diminue.**
2. **Ne rechargez jamais une batterie complètement chargée.**  
**La surcharge réduit la durée de service de la batterie.**
3. **Chargez la batterie alors que la température de la pièce se trouve entre 10 °C et 40 °C (50 °F et 104 °F). Si une batterie est chaude, laissez-la refroidir avant de la charger.**
4. **Chargez la batterie si vous ne l'avez pas utilisée pendant une longue période (plus de six mois).**

## DESCRIPTION DU FONCTIONNEMENT

### ATTENTION :

- Veillez toujours à ce que l'outil soit éteint et la batterie déposée avant d'effectuer des réglages ou de vérifier le fonctionnement de l'outil.

### Installation et retrait de la batterie (Fig. 1)

#### ATTENTION :

- Éteignez toujours l'outil avant d'installer ou de déposer la batterie.
- **Tenez fermement l'outil et la batterie lors de l'installation ou du retrait de la batterie.** Si vous ne tenez pas fermement l'outil et la batterie, ils risquent de glisser et de s'abîmer ou de vous blesser.

Pour retirer la batterie, faites glisser le bouton à l'avant de la batterie et sortez la batterie.

Pour installer la batterie, alignez sa languette sur la rainure qui se trouve à l'intérieur du carter, puis glissez la batterie pour la mettre en place. Insérez-la bien à fond, jusqu'à ce qu'elle se verrouille en émettant un léger clic. Si vous pouvez voir le voyant rouge sur la face supérieure du bouton, la batterie n'est pas parfaitement verrouillée.

#### ATTENTION :

- Installez toujours la batterie à fond, de sorte que le voyant rouge ne soit plus visible. Sinon, elle risque de tomber accidentellement de l'outil, en vous blessant ou en blessant une personne située près de vous.
- Ne forcez pas pour installer la batterie. Si la batterie ne glisse pas aisément, c'est qu'elle n'est pas insérée correctement.

#### REMARQUE :

- L'outil ne peut pas fonctionner avec une seule batterie.

## Système de protection de l'outil/la batterie

L'outil est équipé d'un système de protection de l'outil/la batterie. Ce système coupe automatiquement

l'alimentation en électricité vers le moteur afin de prolonger la durée de vie de l'outil et de la batterie. L'outil s'arrête automatiquement pendant le fonctionnement lorsque celui-ci ou la batterie se trouvent dans l'une des situations suivantes : Dans certains cas, les voyants s'allument.

## Protection contre les surcharges

Si l'outil est utilisé de telle sorte qu'il entraîne une augmentation anormalement élevée de la demande de courant, il s'arrête automatiquement sans aucune précision. Dans ce cas, éteignez l'outil et arrêtez l'application ayant provoqué la surcharge de l'outil. Mettez ensuite l'outil sous tension pour le redémarrer.

## Protection contre les surchauffes de l'outil/la batterie

Lorsque l'outil/la batterie est surchauffé, il/elle s'arrête automatiquement sans aucune précision. L'outil ne démarre pas, même si vous appuyez sur la gâchette. Dans ce cas, laissez l'outil/la batterie refroidir avant de rallumer l'outil.

#### REMARQUE :

La protection contre les surchauffes de la batterie fonctionne uniquement avec une batterie comportant un symbole d'étoile. (Fig. 2)

## Protection contre les pertes de charge excessives (Fig. 3)

Lorsque l'autonomie restante de la batterie est faible, le voyant de la batterie clignote sur le côté concerné de la batterie. Si vous continuez d'utiliser l'outil, il s'arrête et le voyant de la batterie s'allume pendant 10 secondes environ. Lorsque cela se produit, rechargez la batterie.

## Positions de montage de la poignée

#### ATTENTION :

- Assurez-vous toujours que la poignée est verrouillée dans la position désirée avant d'utiliser l'outil. (Fig. 4)
- Selon les opérations effectuées, vous pouvez régler l'angle de la poignée à 45° ou 90° à gauche ou à droite. Pour tourner la poignée, appuyez sur le bouton et tournez la poignée comme illustré sur la figure. La poignée est alors verrouillée à 45°. Pour tourner la poignée à 90°, appuyez à nouveau sur le bouton et tournez davantage la poignée.

## Interrupteurs

#### ATTENTION :

- Avant d'insérer la batterie dans l'outil, vérifiez toujours que la gâchette fonctionne bien et revient en position d'arrêt lorsqu'elle est relâchée. (Fig. 5)

Pour votre sécurité, cet outil est équipé d'un double système d'allumage. Pour mettre l'outil sous tension, appuyez sur le bouton de sécurité et sur la gâchette A et B. Pour mettre l'outil hors tension, relâchez l'une des gâchettes. L'outil ne démarre que si les deux gâchettes sont enfoncées.



## Changement de vitesse (Fig. 6)

Il est possible d'ajuster le nombre de passes par minute en tournant simplement le cadran de réglage. Ce réglage est possible même lorsque l'outil est en fonctionnement. Le cadran comporte les marquages 1 (vitesse la plus lente) à 6 (pleine vitesse).

Référez-vous au tableau ci-dessous pour connaître la relation entre les paramètres des numéros sur le cadran de réglage et le nombre de passes par minute.

| Numéro sur le cadran de réglage | Passes par minute (min <sup>-1</sup> ) |
|---------------------------------|--|
| 6                               | 1 800                                  |
| 5                               | 1 750                                  |
| 4                               | 1 650                                  |
| 3                               | 1 500                                  |
| 2                               | 1 300                                  |
| 1                               | 1 000                                  |

011264

### ⚠ ATTENTION :

- Vous ne pouvez tourner le cadran de réglage de la vitesse que jusqu'aux positions 6 et 1. Ne le forcez pas au-delà des positions 6 ou 1, au risque de provoquer un dysfonctionnement du réglage de la vitesse.
- Le nombre de passes par minute varie selon l'état de la batterie et des lames de cisailles.

## FONCTIONNEMENT

### ⚠ ATTENTION :

- Veillez à ne pas entrer en contact accidentellement avec une clôture métallique ou d'autres objets durs lors de la taille. La lame pourrait se briser et provoquer de graves blessures.
- Il est extrêmement dangereux de tendre le bras trop loin avec un taille-haie, en particulier depuis une échelle. Ne travaillez pas sur une surface bancale ou instable.

### NOTE :

**N'essayez pas de couper les branches d'une épaisseur supérieure à 10 mm de diamètre avec l'outil.** Coupez les branches jusqu'à 10 cm plus bas que la hauteur de coupe à l'aide d'un sécateur avant d'utiliser l'outil. (Fig. 7)

### ⚠ ATTENTION :

- Ne coupez pas les arbres morts ou objets durs similaires. Vous risqueriez d'endommager l'outil. (Fig. 8)

Tenez la taille-haie avec les deux mains, appuyez sur la gâchette A ou B, puis déplacez l'outil devant votre corps. (Fig. 9)

Le fonctionnement de base consiste à incliner les lames dans le sens du taillage et à les déplacer calmement et lentement à une vitesse nominale de 3 à 4 secondes par mètre. (Fig. 10)

Pour couper le haut d'une haie de manière régulière, vous pouvez attacher une corde au niveau de la hauteur souhaitée de la haie et tailler le long de celle-ci, en l'utilisant comme une ligne de référence. (Fig. 11) La fixation du récepteur de copeaux (accessoire en option) sur l'outil lors du taillage de la haie de manière

droite peut éviter que les feuilles coupées soient éparpillées. (Fig. 12)

Avant d'utiliser l'outil, faites pivoter la poignée pour faciliter sa manipulation. Reportez-vous à la section intitulée « Positions de montage de la poignée ». Pour couper le côté d'une haie de manière régulière, coupez-la de bas en haut. (Fig. 13)

Taillez le buis ou les rhododendrons de la base vers le haut afin d'obtenir une jolie haie et un travail bien fait.

## Installation ou retrait du récepteur de copeaux (accessoire en option)

### ⚠ ATTENTION :

- Assurez-vous toujours que l'outil est hors tension et que la batterie est retirée avant d'installer ou de retirer le récepteur de copeaux.

### REMARQUE :

- Lorsque vous remplacez le récepteur de copeaux, portez toujours des gants, de sorte que vos mains et votre visage ne soient pas en contact direct avec la lame. Le non-respect de cette instruction peut provoquer des blessures corporelles.
- Veillez toujours à retirer le couvercle de protection de la lame avant d'installer le récepteur de copeaux.
- Le récepteur de copeaux reçoit les feuilles coupées et facilite le recueil des feuilles éparpillées. Il s'installe d'un côté comme de l'autre de l'outil. (Fig. 14)

Appuyez sur le récepteur de copeaux situé sur les lames de cisailles de sorte que ses fentes chevauchent les écrous situés sur les lames de cisailles. À ce stade, assurez-vous que le récepteur de copeaux n'entre pas en contact avec le récepteur de branches dans la partie supérieure des lames de cisailles. (Fig. 15)

À ce stade, vous devez installer le récepteur de copeaux, de sorte que ses crochets s'insèrent dans les rainures de l'unité des lames de cisailles. (Fig. 16)

Pour déposer le récepteur de copeaux, appuyez de chaque côté de son levier de manière à déverrouiller les crochets. (Fig. 17)

### ⚠ ATTENTION :

- Le couvercle de protection de la lame ne peut pas être installé sur l'outil lorsque le récepteur de copeaux s'y trouve déjà. Avant de transporter ou de ranger l'outil, désinstallez le récepteur de copeaux, puis installez le couvercle de protection de la lame afin d'éviter que celle-ci soit exposée.

### REMARQUE :

- Vérifiez que le récepteur de copeaux est installé de manière sécurisée avant de l'utiliser.
- N'essayez jamais de désinstaller le récepteur de copeaux en forçant de manière démesurée lorsque ses crochets sont verrouillés dans les rainures de l'unité de la lame. L'application d'une force excessive risque de l'endommager.

## ENTRETIEN

### ⚠ ATTENTION :

- Assurez-vous toujours que l'outil est hors tension et que la batterie est retirée avant d'y effectuer tout travail d'inspection ou d'entretien.

- N'utilisez jamais d'essence, de benzine, de diluant, d'alcool ou de produit similaire. Ces produits risquent de provoquer des décolorations, des déformations ou des fissures.

## Nettoyage de l'outil

Pour nettoyer l'outil, essuyez la poussière à l'aide d'un chiffon sec ou imbibé d'eau savonneuse.

## Maintenance de la lame

Lubrifiez la lame à l'aide d'huile pour machines ou de produits similaires avant d'utiliser l'outil et toutes les heures pendant son fonctionnement.

### REMARQUE :

- Avant de lubrifier la lame, retirez le récepteur de copeaux.

Après avoir utilisé l'outil, retirez la poussière des deux côtés de la lame à l'aide d'une brosse métallique, essuyez-la avec un chiffon, puis appliquez suffisamment d'huile à basse viscosité, telle que de l'huile pour machines, etc., ainsi que de l'huile de graissage à pulvérisation.

### ⚠ ATTENTION :

- Ne lavez pas les lames dans l'eau. Vous risqueriez de provoquer l'apparition de rouille ou d'endommager l'outil.

### NOTE :

**si des pièces autres que les lames de cisailles sont usées, par exemple la bielle, contactez un centre d'entretien Makita agréé pour qu'il procède au remplacement ou à la réparation des pièces en question.**

## Retrait ou installation de la lame de cisailles

### ⚠ ATTENTION :

- Avant de retirer ou d'installer la lame de cisailles, assurez-vous toujours que l'outil est hors tension et que la batterie est retirée.
- Lorsque vous remplacez la lame de cisailles, portez toujours des gants sans retirer le couvercle de protection de la lame, de sorte que vos mains et votre visage ne soient pas en contact direct avec la lame. Le non-respect de cette instruction peut provoquer des blessures corporelles.

### REMARQUE :

- N'essayez pas la graisse de l'engrenage et de la bielle. Vous risqueriez d'endommager l'outil.
- Pour connaître les procédures spécifiques de retrait et d'installation des lames de cisailles, reportez-vous au dos de l'emballage des lames de cisailles fournies en accessoires.

## Dépose des lames de cisailles

Mettez l'outil à l'envers et dévissez quatre vis. (Fig. 18)

### REMARQUE :

- Veillez à ne pas vous salir les mains car la graisse se diffuse sur la zone de déplacement de la lame de cisailles.

Retirez le couvercle secondaire. (Fig. 19)

Retirez la plaque. (Fig. 20)

Régalez la bielle dans l'angle à l'aide d'un tournevis à tête fendue, comme illustré sur la figure. (Fig. 21)

Déposez deux vis des lames de cisailles afin d'extraire l'unité des lames de cisailles. (Fig. 22)

### ⚠ ATTENTION :

- Remettez l'engrenage en position d'origine, comme il était installé, afin qu'il ne soit pas retiré par erreur.

## Installation des lames de cisailles

Préparez les 4 vis que vous avez retirées (pour le couvercle secondaire), les 2 vis (pour la lame de cisailles), la plaque, le couvercle secondaire et des lames de cisailles neuves.

Régalez la position de la bielle, comme illustré sur la figure. À ce stade, appliquez de la graisse fournie avec les lames de cisailles neuves à la périphérie de la bielle. (Fig. 23)

Faites en sorte que l'orifice ovale de la lame supérieure chevauche celui de la lame inférieure. (Fig. 24)

Retirez le couvercle de protection des anciennes lames de cisailles et installez-le sur les lames neuves afin de faciliter la manipulation lors du remplacement des lames. (Fig. 25)

Placez les lames de cisailles neuves sur l'outil, de sorte que les orifices ovales situés sur les lames de cisailles s'adaptent sur la bielle. Faites en sorte que les orifices des lames de cisailles chevauchent ceux des vis dans l'outil, puis fixez-les à l'aide de deux vis. (Fig. 26)

Vérifiez que la bielle aisément à l'aide d'un tournevis à tête fendue. (Fig. 27)

Installez la plaque et le couvercle secondaire sur l'outil.

Serrez fermement la vis.

### REMARQUE :

- Il n'y a aucune différence entre la partie supérieure et la partie inférieure de la plaque.

Déposez le couvercle de protection de la lame, puis mettez l'outil sous tension pour vérifier que le mouvement est correct.

### REMARQUE :

- Si les lames de cisailles ne fonctionnent pas correctement, le contact entre les lames et la bielle est mauvais. Recommencez l'opération depuis le début.

## Remplacement des charbons (Fig. 28)

Retirez et vérifiez les charbons régulièrement.

Remplacez-les lorsqu'ils atteignent le repère d'usure.

Maintenez les charbons propres et en état de glisser aisément dans les porte-charbons. Les deux charbons doivent être remplacés en même temps. Utilisez uniquement des charbons identiques. (Fig. 29)

Insérez le bout d'un tournevis à tête fendue dans l'entaille de l'outil et retirez le cache du bouchon de porte-charbon en le soulevant. (Fig. 30)

Retirez les bouchons de porte-charbon à l'aide d'un tournevis à tête fendue. Enlevez les charbons usés, insérez-en de nouveaux et revissez solidement les bouchons de porte-charbon.

Remettez le cache de bouchon de porte-charbon en place sur l'outil.

## Entreposage

L'orifice du crochet situé dans la partie inférieure du couvercle de protection de la lame est pratique pour suspendre l'outil à un clou ou une vis au mur. **(Fig. 31)**  
Retirez la batterie et placez le protège-lame sur les lames de cisailles afin que celles-ci ne soient pas exposées.  
Veillez à ranger l'outil hors de portée des enfants.  
Rangez l'outil à l'abri de la pluie et de l'eau.  
Pour garantir la SÉCURITÉ et la FIABILITÉ du produit, les réparations ainsi que tout autre travail d'entretien ou de réglage doivent être effectués dans un centre d'entretien Makita agréé, exclusivement avec des pièces de rechange Makita.

## ACCESSOIRES FOURNIS EN OPTION

### ATTENTION :

- Ces accessoires ou pièces complémentaires sont recommandés pour être utilisés avec l'outil Makita spécifié dans ce mode d'emploi. L'utilisation de tout autre accessoire ou pièce complémentaire peut comporter un risque de blessure. N'utilisez les accessoires ou pièces qu'aux fins auxquelles ils ont été conçus.

Pour obtenir plus de détails sur ces accessoires, contactez votre Centre de service local Makita.

- Couvercle de protection de la lame
- Lame de cisailles
- Batterie et chargeur Makita d'origine
- Récepteur de copeaux

### REMARQUE :

- Certains éléments de la liste peuvent être inclus en tant qu'accessoires standard dans le coffret de l'outil envoyé. Ils peuvent varier suivant les pays.

# DEUTSCH (Originalanweisungen)

## Erklärung der Gesamtdarstellung

- |                           |  |                                   |
|---------------------------|--|-----------------------------------|
| 1. Roter Bereich          | 14. Schneidrichtung                    | 26. Lösen der Haken               |
| 2. Taste                  | 15. zu schneidende Heckenfläche        | 27. Schneidblattschutz            |
| 3. Akkublock              | 16. Neigen der Messer                  | 28. Schrauben                     |
| 4. Sternmarkierung        | 17. Drücken                            | 29. Untere Abdeckung              |
| 5. Anzeige Akkuladestatus | 18. Spanaufnehmer                      | 30. Platte                        |
| 6. Knauf                  | 19. Mutter                             | 31. Kurbelwelle                   |
| 7. Gehäuse                | 20. Schneidblatt                       | 32. Ovale Öffnung im Schneidblatt |
| 8. Ein/Aus-Schalter B     | 21. Astfänger                          | 33. Verschleißgrenze              |
| 9. Ein/Aus-Schalter A     | 22. Haken                              | 34. Halterkappenabdeckung         |
| 10. Arretiertaste         | 23. Einpassen der Haken in die Kerbe   | 35. Schlitzschraubendreher        |
| 11. Stellrad              | 24. Rillen                             | 36. Bürstenhalterkappe            |
| 12. Schneidhöhe           | 25. Drücken der Hebel an beiden Seiten |                                   |
| 13. 10 cm                 |  |                                   |

## TECHNISCHE DATEN

|  |                     |              |
|--|---------------------|--------------|
| Modell                                 | DUH551              | DUH651       |
| Messerlänge                            | 550 mm              | 650 mm       |
| Stiche pro Minute (min <sup>-1</sup> ) | 1.000 - 1.800       |              |
| Gesamtlänge                            | 1.065 mm            | 1.135 mm     |
| Nennspannung                           | 36 V Gleichspannung |              |
| Nettogewicht                           | 4,6 - 5,3 kg        | 4,7 - 5,5 kg |

- Aufgrund unserer beständigen Forschungen und Weiterentwicklungen sind Änderungen an den hier angegebenen Technischen Daten ohne Vorankündigung vorbehalten.
- Die Technischen Daten können in den einzelnen Ländern voneinander abweichen.
- Das Gewicht kann sich je nach Umfang und Art der vorhandenen Zubehörteile inkl. Akkublock ändern. Das Gewicht der leichtest- und schwerstmöglichen Kombination, das im Einklang mit dem EPTA-Verfahren 01/2014 ermittelt wurde, ist in der Tabelle aufgeführt.

## Zu verwendender Akkublock mit Ladegerät

|           |   |
|-----------|---|
| Akkublock | BL1815N/BL1820/BL1820B/BL1830/BL1830B/BL1840/<br>BL1840B/BL1850/BL1850B/BL1860B |
| Ladegerät | DC18RC/DC18RD/DC18RE/DC18SD/DC18SE/DC18SF                                       |

- In Abhängigkeit der Region, in der Sie ansässig sind, kann es vorkommen, dass einige von den oben aufgeführten Akkublocken und Ladegeräten nicht verfügbar sind.

### **WARNUNG:**

- **Verwenden Sie ausschließlich die oben angegebenen Akkublocke und Ladegeräte.** Bei Verwendung anderer Akkublocke und Ladegeräte besteht Verletzungs- und Brandgefahr.

| Schallpegel | Schalldruckpegel         |                       | Schalleistungspegel      |                       | Anwendbare Standards oder Richtlinien |
|-------------|--------------------------|-----------------------|--------------------------|-----------------------|---------------------------------------|
|             | L <sub>PA</sub> (dB (A)) | Abweichung K (dB (A)) | L <sub>PA</sub> (dB (A)) | Abweichung K (dB (A)) |                                       |
| DUH551      | 81,5                     | 2,1                   | 91                       | 1,5                   | 2000/14/EG                            |
| DUH651      | 82                       | 1,4                   | 91,1                     | 1,5                   |                                       |

- Tragen Sie Gehörschutz.

| Schwingung    | Angegebene Emissionswerte (m/s <sup>2</sup> ) | Abweichung K (m/s <sup>2</sup> ) | Anwendbare Standards oder Richtlinien |
|---------------|---|----------------------------------|---------------------------------------|
| DUH551/DUH651 | ≤ 2,5   | 1,5                              | EN60745-2-15                          |

ENG901-1

Testverfahren ermittelt und kann als Vergleich zu anderen Werkzeugen herangezogen werden.

- Der hier angegebene Wert für die erzeugten Schwingungen wurde gemäß dem genormten

- Der angegebene Wert für die erzeugten Schwingungen ist außerdem für eine vorbeugende Bewertung der Belastung zu verwenden.

### **WARNUNG:**

- Die Schwingungsbelastung kann bei tatsächlichem Gebrauch des Elektrowerkzeugs in Abhängigkeit von der Handhabung des Elektrowerkzeugs von dem hier aufgeführten Wert abweichen.
- Stellen Sie sicher, dass Schutzmaßnahmen für den Bediener getroffen werden, die auf den unter den tatsächlichen Arbeitsbedingungen zu erwartenden Belastungen beruhen (beziehen Sie alle Bestandteile des Arbeitsablaufs ein, also zusätzlich zu den Arbeitszeiten auch Zeiten, in denen das Werkzeug ausgeschaltet ist oder ohne Last läuft).

### **Symbole**

END013-5

Im Folgenden sind die im Zusammenhang mit diesem Gerät verwendeten Symbole dargestellt. Machen Sie sich vor der Benutzung des Geräts unbedingt mit diesen Symbolen vertraut!



..... Lesen Sie die Bedienungsanleitung!



..... Setzen Sie das Werkzeug keiner Feuchtigkeit aus.



..... Nur für EU-Länder

Entsorgen Sie Elektrowerkzeuge, Batterien und Akkus nicht über den Hausmüll!

Gemäß der Europäischen Richtlinie über Elektro- und Elektronik- Altgeräte und über Batterien und Akkumulatoren sowie Altbatterien und Altakkumulatoren und ihrer Umsetzung in nationales Recht müssen verbrauchte Elektrowerkzeuge sowie Altbatterien und Altakkumulatoren getrennt gesammelt und einer umweltgerechten Wiederverwertung zugeführt werden.

### **Verwendungszweck**

ENE014-1


Das Gerät wurde für das Schneiden von Hecken entwickelt.

### **EG-Konformitätserklärung** **Nur für europäische Länder**

Die EG-Konformitätserklärung liegt dieser Betriebsanleitung als Anhang A bei.

## **Allgemeine Sicherheitshinweise für Elektrowerkzeuge**

GEA010-1

 **WARNUNG** Lesen Sie alle Sicherheitshinweise und Anweisungen sorgfältig durch. Wenn die Hinweise und Anweisungen nicht beachtet werden, besteht die Gefahr eines Stromschlags, Brands und/oder das Risiko von ernsthaften Verletzungen.

## **Bewahren Sie alle Hinweise und Anweisungen zur späteren Referenz gut auf.**

## **Sicherheitswarnungen für Akku-Heckenschere**

GEB062-7

1. **Halten Sie alle Körperteile vom Schneidmesser fern. Versuchen Sie nicht, abgeschnittenes Material zu entfernen oder zu schneidendes Material zu halten, während die Messer sich bewegen. Die Messer laufen nach dem Ausschalten nach. Vergewissern Sie sich, dass der Schalter ausgeschaltet ist, wenn Sie gestautes Material ausräumen.** Ein Augenblick der Unachtsamkeit während der Benutzung der Heckenschere kann zu schweren Personenschäden führen.
2. **Tragen Sie die Heckenschere am Handgriff bei stillstehendem Schneidmesser. Bringen Sie beim Transportieren oder Lagern der Heckenschere immer die Schneidwerkabdeckung an.** Sachgemäße Handhabung der Heckenschere verringert die Gefahr möglicher Personenschäden durch die Schneidmesser.
3. **Halten Sie das Elektrowerkzeug nur an den isolierten Griffflächen, wenn die Gefahr besteht, dass das Schneidmesser verborgene Kabel kontaktiert.** Wenn die Schneidmesser ein Strom führendes Kabel berühren, können die freiliegenden Metallteile des Elektrowerkzeugs ebenfalls Strom führend werden, so dass der Benutzer einen elektrischen Schlag erleiden kann.
4. **GEFAHR - Halten Sie Ihre Hände vom Messer fern.** Kontakt mit dem Messer führt zu ernsthaften Personenschäden.
5. **Benutzen Sie die Heckenschere nicht bei Regen oder unter nassen oder sehr feuchten Bedingungen.** Der Elektromotor ist nicht wasserdicht.
6. **Anfänger sollten sich von einem erfahrenen Heckenscherenbenutzer im Gebrauch der Schere unterweisen lassen.**
7. **Die Heckenschere darf nicht von Kindern oder Jugendlichen unter 18 Jahren benutzt werden.** Jugendliche über 16 Jahre können von dieser Einschränkung ausgenommen werden, wenn sie eine Schulung unter der Aufsicht eines Fachmanns durchmachen.
8. **Benutzen Sie die Heckenschere nur, wenn Sie sich in guter körperlicher Verfassung befinden.** Ermüdung führt zu verminderter Aufmerksamkeit. Besonders hohe Aufmerksamkeit ist am Ende eines Arbeitstages erforderlich. Führen Sie alle Arbeiten ruhig und sorgfältig durch. Der Benutzer ist für alle Schäden an Dritten verantwortlich.
9. **Benutzen Sie die Schere niemals unter dem Einfluss von Alkohol, Drogen oder Medikamenten.**
10. **Arbeitshandschuhe aus robustem Leder sind Teil der Grundausrüstung der Heckenschere und müssen bei der Arbeit immer getragen werden. Tragen Sie auch robuste Schuhe mit rutschfesten Sohlen.**

11. **Bevor Sie mit der Arbeit beginnen, vergewissern Sie sich, dass die Schere in gutem und sicherem Arbeitszustand ist. Vergewissern Sie sich, dass Schutzhauben ordnungsgemäß angebracht sind. Die Heckenschere darf nur in vollständig montiertem Zustand benutzt werden.**
12. **Achten Sie auf sicheren Stand, bevor Sie mit der Arbeit beginnen.**
13. **Halten Sie das Werkzeug während der Benutzung mit festem Griff.**
14. **Lassen Sie das Werkzeug nicht unnötig im Leerlauf laufen.**
15. **Schalten Sie sofort den Motor aus, und nehmen Sie den Akku ab, falls das Messer mit einem Zaun oder einem anderen harten Objekt in Berührung kommt. Überprüfen Sie das Messer auf Beschädigung, und reparieren Sie es bei Bedarf unverzüglich.**
16. **Bevor Sie das Messer überprüfen, Fehler beheben oder im Schneidglied verfängenes Material entfernen, schalten Sie immer die Schere aus, und nehmen Sie den Akku ab.**
17. **Schalten Sie die Schere aus, und nehmen Sie den Akku ab, bevor Sie irgendwelche Wartungsarbeiten ausführen.**
18. **Wenn Sie die Heckenschere zu einem anderen Ort transportieren, auch während der Arbeit, nehmen Sie immer den Akku ab, und setzen Sie die Messerabdeckung auf die Schneidmesser. Die Schere darf auf keinen Fall mit laufendem Messer getragen oder transportiert werden. Ergreifen Sie das Messer niemals mit Ihren Händen.**
19. **Reinigen Sie die Heckenschere und insbesondere das Messer nach jedem Gebrauch und vor längerer Lagerung der Schere. Ölen Sie das Messer leicht ein, und bringen Sie die Abdeckung an. Die mit der Einheit gelieferte Abdeckung kann an die Wand gehängt werden und bietet somit eine sichere und praktische Aufbewahrungsart der Heckenschere.**
20. **Lagern Sie die Heckenschere mit angebrachter Abdeckung in einem trockenen Raum. Halten Sie sie außer Reichweite von Kindern. Lagern Sie die Schere niemals im Freien.**
21. **Richten Sie die Schermesser niemals auf sich selbst oder andere Personen.**
22. **Falls die Messer stehen bleiben, weil sich Fremdkörper während des Betriebs zwischen den Messern verfangen haben, schalten Sie das Werkzeug aus, nehmen Sie den Akku ab, und beseitigen Sie dann die Fremdkörper mithilfe von Werkzeugen, wie z. B. einer Zange. Beseitigen der Fremdkörper von Hand kann zu einer Verletzung führen, da sich die Messer als Reaktion auf die Beseitigung der Fremdkörper bewegen können.**

abhalten. **MISSBRAUCH** oder Missachtung der Sicherheitsvorschriften in dieser Anleitung können schwere Verletzungen verursachen.

## WICHTIGE SICHERHEITSANWEISUNGEN FÜR AKKU

ENC007-12

1. **Lesen Sie vor der Verwendung des Akkublocks alle Anweisungen und Sicherheitshinweise für das Akkuladegerät (1), den Akku (2) und das Produkt (3), für das der Akku verwendet wird, sorgfältig durch.**
  2. **Der Akkublock darf nicht zerlegt werden.**
  3. **Falls die Betriebsdauer erheblich kürzer wird, beenden Sie den Betrieb umgehend. Andernfalls besteht die Gefahr einer Überhitzung sowie das Risiko möglicher Verbrennungen und sogar einer Explosion.**
  4. **Wenn Elektrolyt in Ihre Augen gerät, waschen Sie diese mit klarem Wasser aus und suchen Sie sofort einen Arzt auf. Andernfalls können Sie Ihre Sehfähigkeit verlieren.**
  5. **Vermeiden Sie einen Kurzschluss des Akkublocks:**
    - (1) **Die Kontakte dürfen nicht mit leitendem Material in Berührung kommen.**
    - (2) **Der Akkublock darf nicht in einem Behälter aufbewahrt werden, in dem sich andere metallische Gegenstände wie beispielsweise Nägel, Münzen usw. befinden.**
    - (3) **Der Akkublock darf weder Feuchtigkeit noch Regen ausgesetzt werden.**
- Ein Kurzschluss des Akkus kann zu hohem Kriechstrom, Überhitzung, möglichen Verbrennungen und sogar zu einer Zerstörung des Werkzeugs führen.**
6. **Werkzeug und Akkublock dürfen nicht an Orten aufbewahrt werden, an denen Temperaturen von 50°C oder darüber erreicht werden können.**
  7. **Beschädigte oder verbrauchte Akkus dürfen nicht verbrannt werden. Der Akkublock kann in den Flammen explodieren.**
  8. **Lassen Sie den Akku nicht fallen und vermeiden Sie Schläge gegen den Akku.**
  9. **Verwenden Sie niemals einen beschädigten Akku.**
  10. **Die enthaltenen Lithium-Ionen-Akkus unterliegen den Anforderungen der Gefahrgut-Gesetzgebung.**

Für kommerzielle Transporte, z. B. durch Dritte oder Spediteure, müssen besondere Anforderungen zu Verpackung und Etikettierung beachtet werden. Zur Vorbereitung des zu transportierenden Artikels ist eine Beratung durch einen Experten für Gefahrgut erforderlich. Bitte beachten Sie möglicherweise ausführlichere nationale Vorschriften. Überkleben oder verdecken Sie offene Kontakte, und verpacken Sie den Akku so, dass er sich in der Verpackung nicht umher bewegen kann.

11. **Befolgen Sie die in Ihrem Land geltenden Bestimmungen bzgl. der Entsorgung von Akkus.**
12. **Verwenden Sie die Akkus nur mit den von Makita genannten Produkten. Der Einsatz der Akkus in**

## DIESE ANWEISUNGEN AUFBEWAHREN.

### **WARNUNG:**

Lassen Sie sich **NICHT** durch Bequemlichkeit oder Vertrautheit mit dem Produkt (durch wiederholten Gebrauch erworben) von der strikten Einhaltung der Sicherheitsregeln für das vorliegende Produkt

nicht kompatiblen Produkten kann Brände, extreme Wärmeentwicklung, Explosionen oder einen Austritt von Elektrolyt verursachen.

## BEWAHREN SIE DIESE ANLEITUNG SORGFÄLTIG AUF.

**⚠ VORSICHT:** Verwenden Sie nur Original-Makita-Akkus.

Die Verwendung von Nicht-Original-Makita-Akkus oder von Akkus, die abgeändert worden sind, kann zum Bersten des Akkus und daraus resultierenden Bränden, Personenschäden und Beschädigung führen. Außerdem wird dadurch die Makita-Garantie für das Makita-Werkzeug und -Ladegerät ungültig.

### Tipps für eine maximale Nutzungsdauer von Akkus

1. **Laden Sie den Akkublock auf, bevor der Akku vollständig entladen ist.**  
**Sobald Sie eine verringerte Leistung des Werkzeugs bemerken, beenden Sie stets den Betrieb des Werkzeugs und laden Sie den Akkublock auf.**
2. **Ein voll aufgeladener Akkublock darf niemals erneut geladen werden.**  
**Durch Überladungen wird die Lebensdauer des Akkus verkürzt.**
3. **Laden Sie den Akkublock bei einer Zimmertemperatur von 10°C bis 40°C auf. Lassen Sie einen heißen Akkublock vor dem Aufladen abkühlen.**
4. **Laden Sie den Akkublock auf, wenn Sie diesen für längere Zeit nicht verwenden (mehr als sechs Monate).**

## FUNKTIONSBESCHREIBUNG

**⚠ ACHTUNG:**

- Schalten Sie das Werkzeug stets aus und nehmen Sie den Akkublock vom Werkzeug ab, bevor Sie Einstellungen oder Funktionsprüfungen am Werkzeug vornehmen.

### Einsetzen und Abnehmen des Akkublocks (Abb. 1)

**⚠ ACHTUNG:**

- Schalten Sie das Werkzeug stets aus, bevor Sie den Akkublock einsetzen oder abnehmen.
- **Halten Sie das Werkzeug und den Akkublock sicher fest, wenn Sie den Akkublock einsetzen oder herausnehmen.** Andernfalls könnte Ihnen das Werkzeug oder der Akkublock aus den Händen fallen, sodass das Werkzeug oder der Akkublock beschädigt werden oder diese Verletzungen verursachen.

Zum Abnehmen des Akkublocks müssen Sie die Taste auf der Vorderseite des Akkublocks schieben und gleichzeitig den Akkublock aus dem Gerät herausziehen. Zum Einsetzen des Akkublocks müssen Sie die Zunge des Akkublocks an der Rille im Gehäuse ausrichten und in die gewünschte Position schieben. Setzen Sie den Akkublock ganz ein, bis er mit einem leisen Klick

einrastet. Wenn Sie den roten Bereich oben auf der Taste sehen können, ist der Akkublock nicht ganz eingerastet.

**⚠ ACHTUNG:**

- Setzen Sie den Akkublock unbedingt ganz ein, bis der rote Bereich nicht mehr zu sehen ist. Andernfalls kann der Akkublock versehentlich aus dem Werkzeug fallen und Sie oder umstehende Personen verletzen.
- Wenden Sie beim Einsetzen des Akkublocks keine Gewalt an. Wenn der Akkublock nicht leicht hineingeht, ist er nicht richtig angesetzt.

**HINWEIS:**

- Das Werkzeug funktioniert nicht mit nur einem Akkublock.

### Werkzeug-/Akku-Schutzsystem

Das Werkzeug ist mit einem Werkzeug-/Akku-Schutzsystem ausgestattet. Dieses System schaltet die Stromversorgung des Motors automatisch aus, um die Lebensdauer des Werkzeugs und des Akkus zu verlängern.

Unter folgenden Bedingungen des Werkzeugs und/oder des Akkus kann das Werkzeug während des Betriebs automatisch stoppen. Unter einigen dieser Bedingungen leuchtet die Anzeige auf.

### Überlastungsschutz

Wird das Werkzeug auf eine Weise betrieben, die zu einer abnormal hohen Stromaufnahme führt, stoppt das Werkzeug automatisch ohne jede Anzeige. Schalten Sie in dieser Situation das Werkzeug aus und beenden Sie die Arbeiten, die zu der Überlastung des Werkzeugs geführt haben. Schalten Sie dann das Werkzeug zum erneuten Starten wieder ein.

### Überhitzungsschutz für das Werkzeug / den Akku

Ist der Akku oder das Werkzeug überhitzt, stoppt das Werkzeug automatisch ohne jede Anzeige. Das Werkzeug startet nicht, selbst wenn der Ein/Aus-Schalter betätigt wird. Lassen Sie in dieser Situation das Werkzeug / den Akku erst abkühlen, bevor Sie das Werkzeug wieder einschalten.

**HINWEIS:**

Der Akku-Überhitzungsschutz funktioniert nur bei einem Akkublock mit Sternmarkierung. (Abb. 2)

### Tiefentladungsschutz (Abb. 3)

Bei geringem Akkuladestand blinkt die Akkuanzeige auf der entsprechenden Akku-Seite. Bei Weiterverwendung stoppt das Werkzeug und die Akkuanzeige leuchtet ca. 10 Sekunden lang auf. Laden Sie in diesem Fall den Akkublock wieder auf.

### Montagepositionen des Griffs

**⚠ ACHTUNG:**

- Überprüfen Sie vor der Verwendung des Werkzeugs stets, dass der Griff in der gewünschten Position arretiert ist. (Abb. 4)

Je nach durchzuführenden Arbeiten können Sie den Griffwinkel entweder auf 45° oder 90° links oder rechts einstellen. Um den Griff zu drehen, ziehen Sie den Knauf

und drehen Sie den Griff dann wie in der Abbildung dargestellt. Der Griff wird in der 45°-Position arretiert. Um den Griff in die 90°-Position zu drehen, ziehen Sie den Knauf erneut und drehen Sie den Hebel weiter.

## Einschalten

### ⚠️ ACHTUNG:

- Achten Sie vor dem Einsetzen des Akkublocks in das Werkzeug darauf, dass sich der Ein/Aus-Schalter korrekt bedienen lässt und beim Loslassen in die Position „OFF“ (AUS) zurückkehrt. **(Abb. 5)**

Zu Ihrer Sicherheit verfügt das Werkzeug über ein Zweifach-Schaltersystem. Drücken Sie zum Einschalten des Werkzeugs die Arretiertaste und drücken Sie die Ein/Aus-Schalter A und B. Lassen Sie zum Ausschalten einen der beiden Ein/Aus-Schalter los. Das Werkzeug startet nur dann, wenn beide Ein/Aus-Schalter gezogen werden.

## Ändern der Drehzahl (Abb. 6)

Die Stiche pro Minute können Sie einfach durch Drehen am Stellrad ändern. Dies ist auch bei laufendem Werkzeug möglich. Das Stellrad ist mit 1 (niedrigste Schlagzahl) bis 6 (höchste Schlagzahl) beschriftet. In der folgenden Tabelle sind die Zahlenmarken am Stellrad und die zugehörigen Stiche pro Minute angegeben:

| Zahl am Stellrad | Stiche pro Minute (min <sup>-1</sup> ) |
|------------------|--|
| 6                | 1.800                                  |
| 5                | 1.750                                  |
| 4                | 1.650                                  |
| 3                | 1.500                                  |
| 2                | 1.300                                  |
| 1                | 1.000                                  |

011264

### ⚠️ ACHTUNG:

- Das Drehzahl-Stellrad kann nur bis zur 6 und wieder zurück zur 1 gedreht werden. Drehen Sie es nicht mit Gewalt über die Position 6 oder 1 hinaus, da sonst die Drehzahleinstellung womöglich nicht mehr richtig funktioniert.
- Die Stiche pro Minute variieren je nach Zustand des Akkublock und dem Zustand der Schneidblätter.

## BETRIEB

### ⚠️ ACHTUNG:

- Achten Sie darauf, dass Sie während des Schneidens nicht versehentlich mit einem metallischen Anschlag oder anderen harten Gegenständen in Berührung kommen. Das Schneidmesser kann brechen und schwere Verletzungen verursachen.
- Das weite Hinauslehnen mit einer Heckenschere, vor allem von einer Leiter aus, ist äußerst gefährlich. Arbeiten Sie niemals von einem wackligen oder unsicheren Standort aus.

### HINWEIS:

**Schneiden Sie mit diesem Werkzeug keine Äste mit einem Durchmesser von mehr als 10 mm.** Vor Verwendung des Werkzeugs sind Äste mittels Astscheren

derart zuzuschneiden, dass sie nun 10 cm unterhalb der Schneidhöhe liegen. **(Abb. 7)**

### ⚠️ ACHTUNG:

- Schneiden Sie keine toten Äste oder ähnliche harte Gegenstände ab. Anderenfalls kann das Werkzeug beschädigt werden. **(Abb. 8)**

Halten Sie die Heckenschere mit beiden Händen und betätigen Sie den Ein/Aus-Schalter A oder B. Bewegen Sie anschließend die Heckenschere vor Ihrem Körper. **(Abb. 9)**

Neigen Sie im Grundbetrieb die Schneidblätter in Schneidrichtung und bewegen Sie die Heckenschere ruhig und langsam mit einer Geschwindigkeit von 3 bis 4 Sekunden pro Meter. **(Abb. 10)**

Zum geraden Schneiden einer Heckenoberkante können Sie eine Schnur in der gewünschten Heckenhöhe spannen und diese beim Schneiden als Referenzlinie verwenden. **(Abb. 11)**

Befestigen Sie beim Schneiden der Heckengerade die Spanaufnahme (Sonderzubehör) am Werkzeug, um ein Umherfliegen der Blätter zu vermeiden. **(Abb. 12)**

Drehen Sie den Griff für eine einfache Handhabung. Siehe Abschnitt „Montagepositionen des Griffs“.

Zum gleichmäßigen Schneiden der Heckenseite schneiden Sie diese von unten nach oben. **(Abb. 13)**

Schneiden Sie Buchsbaum oder Rhododendron für ein hübsches Aussehen und einen guten Schnitt von der Basis zur Spitze.

## Montage und Demontage der Spanaufnahme (Sonderzubehör)

### ⚠️ ACHTUNG:

- Schalten Sie das Werkzeug aus und ziehen Sie den Akkublock ab, bevor Sie den Spanaufnahme an- oder abbauen.

### HINWEIS:

- Tragen Sie beim Austauschen der Spanaufnahme immer Arbeitshandschuhe, sodass Sie das Schneidmesser nicht direkt mit den Händen berühren. Anderenfalls kann es zu Verletzungen kommen.
- Achten Sie vor dem Einsetzen der Spanaufnahme darauf, dass Sie den Schneidblattschutz entfernt haben.
- Die Spanaufnahme fängt die abgeschnittenen Blätter auf und erleichtert das Aufsammeln der abgefallenen Blätter. Der Haken kann an beiden Seiten des Werkzeugs befestigt werden. **(Abb. 14)**

Drücken Sie die Spanaufnahme auf die Schneidblätter, sodass die Schlitzte die Muttern auf den Schneidblättern überdecken. Überprüfen Sie in diesem Moment, dass die Spanaufnahme den Astfänger am oberen Ende der Schneidblätter nicht berührt. **(Abb. 15)**

Zu diesem Zeitpunkt müssen Sie die Spanaufnahme anbringen, damit die Haken in die Kerben im Schneidmesser passen. **(Abb. 16)**

Zum Entfernen der Spanaufnahme drücken Sie den Hebel an beiden Seiten, sodass die Haken gelöst werden. **(Abb. 17)**

### ⚠️ ACHTUNG:

- Der Schneidblattschutz kann bei angebrachter Spanaufnahme nicht montiert werden. Entfernen Sie vor dem Transport oder der Lagerung die



Spanaufnahme und bringen Sie den Schneidblattschutz an, um ein Freiliegen der Messer zu vermeiden.

#### **HINWEIS:**

- Prüfen Sie vor der Verwendung die sichere Installation der Spanaufnahme.
- Wenden Sie beim Entfernen der Spanaufnahme keine übermäßigen Kräfte an, wenn die Haken in den Blattkerben eingerastet sind. Die Anwendung übermäßiger Kräfte kann zu Beschädigungen führen.

## **WARTUNG**

### **⚠️ ACHTUNG:**

- Schalten Sie das Gerät stets aus und ziehen Sie den Akkublock ab, bevor Sie Inspektionen oder Wartungsarbeiten am Gerät vornehmen.
- Verwenden Sie zum Reinigen niemals Kraftstoffe, Benzin, Verdünner, Alkohol oder Ähnliches. Dies kann zu Verfärbungen, Verformungen oder Rissen führen.

## **Reinigen des Werkzeugs**

Reinigen Sie das Werkzeug, indem Sie den Staub mit einem trockenen oder in Seifenlösung getunkten Lappen abwischen.

## **Wartung des Schneidmessers**

Schmieren Sie das Messer vor dem Betrieb und nach jeder Betriebsstunde mit Maschinenöl oder ähnlichem.

#### **HINWEIS:**

- Nehmen Sie vor dem Schmieren der Schneidmesser die Spanaufnahme ab.

Entfernen Sie nach dem Betrieb mit Hilfe einer Drahtbürste den Staub von beiden Seiten der Schneidmesser, wischen Sie die Messer mit einem Lappen ab und tragen Sie anschließend dünnflüssiges Öl, z.B. Maschinenöl usw., oder Sprühschmieröl auf.

### **⚠️ ACHTUNG:**

- Waschen Sie die Schneidmesser nicht mit Wasser ab. Anderenfalls können die Schneidmesser rosten und das Werkzeug kann beschädigt werden.

#### **HINWEIS:**

**Wenn außer den Schneidblättern andere Teile, z. B. die Kurbelwelle, verschlissen sind, wenden Sie sich an die von Makita autorisierten Servicecenter, um Ersatzteile zu beziehen oder das Gerät reparieren zu lassen.**

## **Anbauen und Abbauen des Schneidblatts**

### **⚠️ ACHTUNG:**

- Schalten Sie das Werkzeug aus und ziehen Sie den Akkublock ab, bevor Sie das Schneidblatt an- oder abbauen.
- Tragen Sie beim Austauschen des Schneidblatts immer Arbeitshandschuhe und entfernen Sie den Schneidblattschutz nicht, sodass Sie die Schneidmesser nicht direkt mit den Händen berühren. Anderenfalls kann es zu Verletzungen kommen.

#### **HINWEIS:**

- Wischen Sie das Schmierfett nicht von Zahnrad und Kurbelwelle ab. Anderenfalls kann das Werkzeug beschädigt werden.
- Konkrete Anleitungen zum An- und Abbauen der Schneidblätter finden Sie auf der Rückseite der Verpackung der Schneidblätter.

## **Ausbauen der Schneidblätter**

Drehen Sie das Werkzeug um und lösen Sie die vier Schrauben. **(Abb. 18)**

#### **HINWEIS:**

- Im Schneidblattantrieb wurde Schmierfett aufgetragen. Achten Sie darauf, dass Sie sich Ihre Hände nicht beschmutzen.

Entfernen Sie die untere Abdeckung. **(Abb. 19)**

Nehmen Sie die Platte ab. **(Abb. 20)**

Stellen Sie die Kurbelwelle mit einem Schlitzschraubendreher auf den in der Abbildung dargestellten Winkel ein. **(Abb. 21)**

Entfernen Sie die zwei Schrauben von den Schneidblättern und Sie können das Schneidblatt herausnehmen. **(Abb. 22)**

### **⚠️ ACHTUNG:**

- Setzen Sie das Getriebe wieder in der Ursprungsposition ein, falls Sie es versehentlich herausgenommen haben.

## **Anbauen der Schneidblätter**

Bereiten Sie die 4 entfernten Schrauben (für die untere Abdeckung), die 2 Schrauben (für das Schneidblatt), die Platte, die untere Abdeckung und die neuen Schneidblätter vor.

Passen Sie die Kurbelwellenposition wie in der Abbildung dargestellt an. Tragen Sie jetzt etwas Schmiermittel mit den neuen Schneidblättern am Rand der Kurbelwelle auf. **(Abb. 23)**

Bringen Sie die ovale Öffnung im oberen Messer mit dem im unteren Messer in Übereinstimmung. **(Abb. 24)**

Nehmen Sie den Schneidblattschutz von den alten Schneidblättern ab und stecken Sie diese auf die neuen Messer auf, um eine einfachere Handhabung während des Austauschs der Messer zu ermöglichen. **(Abb. 25)**

Platzieren Sie die neuen Schneidblätter so auf dem Werkzeug, dass die ovalen Öffnungen in den Schneidblättern auf die Kurbelwelle passen. Bringen Sie die Öffnungen in den Schneidblättern mit den Schraubenöffnungen im Werkzeug in Übereinstimmung und sichern Sie diese mit zwei Schrauben. **(Abb. 26)**

Prüfen Sie die Kurbelwelle mit einem Schlitzschraubendreher auf eine weiche Drehung. **(Abb. 27)**

Bringen Sie die Platte und untere Abdeckung wieder an. Ziehen Sie die Schrauben fest an.

#### **HINWEIS:**

- Ober- und Unterseite der Platte unterscheiden sich nicht.

Nehmen Sie den Schneidblattschutz ab und schalten Sie das Werkzeug an, um die ordnungsgemäße Bewegung zu überprüfen.

## HINWEIS:

- Wenn sich die Schneidblätter nicht ordnungsgemäß bewegen, sind Messer und Kurbelwelle nicht ordnungsgemäß eingepasst. Führen Sie den Vorgang erneut von Beginn an durch.

## Ersetzen der Kohlebürsten (Abb. 28)

Entnehmen und überprüfen Sie die Kohlebürsten in regelmäßigen Abständen. Wenn die Kohlebürsten bis zur Verschleißgrenze abgenutzt sind, müssen die Kohlebürsten durch neue ersetzt werden. Halten Sie die Kohlebürsten sauber und sorgen Sie dafür, dass die Bürsten locker in den Halterungen gleiten. Ersetzen Sie immer beide Kohlebürsten gleichzeitig. Verwenden Sie nur identische Kohlebürsten. **(Abb. 29)**

Setzen Sie das obere Ende des Schlitzschraubendrehers in die Kerbe am Werkzeug ein, und entfernen Sie die Halterkappenabdeckung, indem Sie diese anheben. **(Abb. 30)**

Nehmen Sie die Bürstenhalterkappen mit Hilfe eines Schlitzschraubendrehers ab. Entnehmen Sie die verbrauchten Kohlebürsten, setzen Sie neue Bürsten ein und bringen Sie die Bürstenhalterkappen wieder fest an. Befestigen Sie die Halterkappenabdeckung wieder am Gerät.

## Lagerung

Zum Aufhängen des Werkzeugs an einem Nagel oder einer Schraube in der Wand ist der Hakendurchbruch im unteren Bereich des Schneidblattschutzes praktisch.

### **(Abb. 31)**

Nehmen Sie den Akkublock heraus und bringen Sie den Schneidblattschutz auf den Schneidblättern an, damit die Messer nicht frei liegen. Bewahren Sie das Werkzeug außerhalb der Reichweite von Kindern auf.

Bewahren Sie das Werkzeug an einem Platz auf, an dem es weder Wasser noch Regen ausgesetzt ist.

Zur Gewährleistung von SICHERHEIT und ZUVERLÄSSIGKEIT des Produkts sollten Reparaturen, Wartungsarbeiten und Einstellungen nur durch von Makita autorisierte Servicecenter durchgeführt und ausschließlich Makita-Ersatzteile verwendet werden.

## SONDERZUBEHÖR

### **ACHTUNG:**

- Für das in diesem Handbuch beschriebene Makita-Gerät werden die folgenden Zubehör- und Zusatzteile empfohlen. Bei Verwendung anderer Zubehör- und Zusatzteile kann es zu Verletzungen kommen. Verwenden Sie Zubehör- und Zusatzteile nur für den vorgesehenen Zweck.

Informationen zu diesem Zubehör erhalten Sie von Ihrem Makita-Servicecenter.

- Schneidblattschutz
- Schneidblatt-Baugruppe
- Original-Akku und Original-Ladegerät von Makita
- Spanaufnehmer

## HINWEIS:

- Einige der in der Liste aufgeführten Elemente sind dem Werkzeugpaket als Standardzubehör beigelegt. Diese können in den einzelnen Ländern voneinander abweichen.

## ITALIANO (Istruzioni originali)

### Spiegazione della vista generale

- |                              |  |  |
|------------------------------|--|--|
| 1. Indicatore rosso          | 13. 10 cm                              | 25. Premere le leve su entrambi i lati |
| 2. Pulsante                  | 14. Direzione di potatura              | 26. Sbloccare i ganci                  |
| 3. Batteria                  | 15. Superficie della siepe da potare   | 27. Coprilama                          |
| 4. Contrassegno a stella     | 16. Inclinare le lame                  | 28. Viti                               |
| 5. Indicatore della batteria | 17. Premere                            | 29. Coperchio inferiore                |
| 6. Manopola                  | 18. Raccogliatore di residui           | 30. Piastra                            |
| 7. Alloggiamento             | 19. Dado                               | 31. Collare                            |
| 8. Interruttore B            | 20. Lama da taglio                     | 32. Foro ovale della lama da taglio    |
| 9. Interruttore A            | 21. Aggancio per rami                  | 33. Indicatore di limite               |
| 10. Sicura di accensione     | 22. Ganci                              | 34. Coperchio del supporto             |
| 11. Ghiera di regolazione    | 23. Inserire i ganci nella scanalatura | 35. Cacciavite piatto                  |
| 12. Altezza di taglio        | 24. Scanalature                        | 36. Coperchio del portaspazzola        |

## CARATTERISTICHE TECNICHE

|                                      |               |              |
|--------------------------------------|---------------|--------------|
| Modello                              | DUH551        | DUH651       |
| Lunghezza della lama                 | 550 mm        | 650 mm       |
| Corse al minuto (min <sup>-1</sup> ) | 1.000 - 1.800 |              |
| Lunghezza complessiva                | 1.065 mm      | 1.135 mm     |
| Tensione nominale                    | 36 V CC       |              |
| Peso netto                           | 4,6 - 5,3 kg  | 4,7 - 5,5 kg |

- Le caratteristiche tecniche riportate di seguito sono soggette a modifiche senza preavviso in virtù del nostro programma continuo di ricerca e sviluppo.
- Le caratteristiche tecniche possono differire da paese a paese.
- Il peso può variare in base agli accessori in uso, compresa la batteria. Le combinazioni più leggere e pesanti, in conformità alla procedura EPTA 01/2014, sono mostrate nella tabella.

## Batteria e caricabatteria applicabili

|            |   |
|------------|---|
| Batteria   | BL1815N/BL1820/BL1820B/BL1830/BL1830B/BL1840/<br>BL1840B/BL1850/BL1850B/BL1860B |
| Caricatore | DC18RC/DC18RD/DC18RE/DC18SD/DC18SE/DC18SF                                       |

- Alcune delle batterie e dei caricabatterie elencati sopra potrebbero non essere disponibili a seconda della vostra regione di residenza.

### ⚠ ATTENZIONE:

- Utilizzare solo le batterie e i caricabatterie elencati sopra.** L'uso di batterie e caricabatterie diversi può far sorgere il rischio di infortuni e/o incendi.

| Rumorosità | Livello di pressione sonora |                          | Livello di potenza sonora |                          | Direttiva o standard applicabile |
|------------|-----------------------------|--------------------------|---------------------------|--------------------------|----------------------------------|
|            | Modello                     | L <sub>PA</sub> (dB (A)) | Variazione K (dB (A))     | L <sub>PA</sub> (dB (A)) |                                  |
| DUH551     | 81,5                        | 2,1                      | 91                        | 1,5                      | 2000/14/EC                       |
| DUH651     | 82                          | 1,4                      | 91,1                      | 1,5                      |                                  |

- Indossare una protezione acustica.

| Vibrazione | Modello | Emissione dichiarata (m/s <sup>2</sup> ) | Variazione K (m/s <sup>2</sup> ) | Direttiva o standard applicabile |
|------------|---------|--|----------------------------------|----------------------------------|
|            |         |  |                                  |                                  |

ENG901-1

- Il valore di emissione delle vibrazioni dichiarato è stato misurato in conformità con il metodo di test standard e può essere utilizzato per confrontare tra loro diversi utensili.
- Il valore dell'emissione delle vibrazioni dichiarato può anche essere usato per stime preliminari dell'esposizione.

## **AVVERTENZA:**

- L'emissione delle vibrazioni durante l'uso effettivo dell'utensile elettrico può risultare diversa rispetto al valore dichiarato, in base alla modalità d'uso dell'utensile.
- Assicurarsi di individuare le necessarie misure di sicurezza per proteggere l'operatore in base a una stima dell'esposizione nelle condizioni reali di utilizzo (prendendo in considerazione tutte le fasi del ciclo operativo, come quante volte l'utensile viene spento e i periodi in cui rimane inattivo, oltre al tempo di avviamento).

## **Simboli**

END013-5

Di seguito sono riportati i simboli utilizzati per l'apparecchio. È importante comprenderne il significato prima dell'uso.



..... Leggere il manuale di istruzioni.



..... Evitare l'esposizione all'umidità.



..... Solo per Paesi UE

Non gettare le apparecchiature elettriche o le batterie tra i rifiuti domestici.  
Secondo le Direttive Europee sui rifiuti di apparecchiature elettriche ed elettroniche, su batterie e accumulatori e sui rifiuti di batterie e di accumulatori, e la sua attuazione in conformità alle norme nazionali, le apparecchiature elettriche e le batterie esauste devono essere raccolte separatamente, al fine di essere riciclate in modo eco-compatibile.

## **Uso previsto**

ENE014-1

L'utensile è destinato alla potatura di siepi.


## **Dichiarazione di conformità CE**

### **Solo per i paesi europei**

La dichiarazione di conformità CE è inclusa nell'Allegato A di questo manuale di istruzioni.

## **Avvertenze generali di sicurezza per l'uso dell'utensile**

GEA010-1

 **AVVERTENZA** Leggere attentamente tutte le avvertenze di sicurezza e le istruzioni. La mancata osservanza delle istruzioni e delle avvertenze riportate di seguito potrebbe provocare scosse elettriche, incendi e/o lesioni gravi.

## **Conservare le avvertenze e le istruzioni per riferimenti futuri.**

## **Avvertenze di sicurezza relative al tagliasepi a batteria**

GEB062-7

1. Tenere tutte le parti del corpo lontane dalla lama del dispositivo di taglio. Non rimuovere il materiale tagliato né tenere in mano il materiale da

tagliare quando le lame sono in movimento. Le lame continuano a muoversi per inerzia, dopo lo spegnimento. Accertarsi che l'interruttore sia disattivato quando si intende rimuovere materiale inceptato. Un momento di disattenzione durante il funzionamento del tagliasepi potrebbe risultare in gravi lesioni personali.

2. **Trasportare il tagliasepi tenendolo per l'impugnatura con la lama del dispositivo di taglio arrestata. Quando si intende trasportare o riporre il tagliasepi, applicare sempre la copertura del dispositivo di taglio.** Se si maneggia correttamente il tagliasepi, si riduce la possibilità di lesioni personali dovute alle lame del dispositivo di taglio.
3. **Mantenere l'utensile elettrico solo mediante le superfici di impugnatura isolate, poiché la lama del dispositivo di taglio potrebbe entrare in contatto con cablaggi nascosti.** Le lame del dispositivo di taglio che entrano in contatto con un filo elettrico sotto tensione potrebbero mettere sotto tensione le parti metalliche esposte dell'utensile elettrico, e trasmettere una scossa elettrica all'operatore.
4. **PERICOLO - Tenere le mani lontane dalla lama.** Il contatto con la lama causa gravi lesioni personali.
5. **Non utilizzare il tagliasepi sotto la pioggia o in condizioni di bagnato o di estrema umidità.** Il motore elettrico non è impermeabile.
6. **Chi utilizza il prodotto per la prima volta dovrebbe farsi mostrare da un utente esperto di tagliasepi come utilizzare quest'ultimo.**
7. **Il tagliasepi non deve essere utilizzato da bambini o giovani al di sotto dei 18 anni di età.** I giovani di età superiore ai 16 anni possono venire esentati da questa restrizione se stanno seguendo un addestramento sotto la supervisione di un esperto.
8. **Utilizzare il tagliasepi solo se si è in buone condizioni fisiche.** In condizioni di stanchezza, il livello di attenzione si riduce. Fare particolarmente attenzione alla fine di una giornata di lavoro. Effettuare tutti i lavori con calma e con attenzione. L'utente è responsabile per qualsiasi danno arrecato a terzi.
9. Non utilizzare mai il tagliasepi se si è sotto l'effetto di alcol, droghe o farmaci.
10. **I guanti da lavoro in pelle robusta fanno parte dell'equipaggiamento di base del tagliasepi, e devono essere sempre indossati quando si lavora con quest'ultimo. Indossare anche scarpe robuste con soles antiscivolo.**
11. **Prima di iniziare il lavoro, accertarsi che il tagliasepi sia in condizioni operative ottimali e sicure. Accertarsi che le protezioni siano applicate correttamente. Il tagliasepi non va utilizzato se non è stato montato completamente.**
12. **Accertarsi di avere un equilibrio saldo sui piedi, prima di iniziare l'operazione.**
13. **Mantenere saldamente l'utensile quando lo si utilizza.**
14. **Non far funzionare l'utensile a vuoto inutilmente.**
15. **Qualora il dispositivo di taglio entri in contatto con una recinzione o un altro oggetto duro, spegnere immediatamente il motore e rimuovere la cartuccia della batteria. Controllare il**

dispositivo di taglio alla ricerca di eventuali danni, e qualora sia danneggiato ripararlo immediatamente.

16. Prima di controllare il dispositivo di taglio, riparare guasti o rimuovere materiale incastrato nel dispositivo di taglio, spegnere sempre il tagliasièpi e rimuovere la cartuccia della batteria.
17. Spegnere il tagliasièpi e rimuovere la cartuccia della batteria prima di effettuare qualsiasi lavoro di manutenzione.
18. Quando si intende spostare il tagliasièpi in un'altra ubicazione, anche durante il lavoro, rimuovere sempre la cartuccia della batteria e applicare il coprilama sulle lame del dispositivo di taglio. Non portare né trasportare mai il tagliasièpi con il dispositivo di taglio in funzione. Non afferrare mai il dispositivo di taglio con le mani.
19. Pulire il tagliasièpi e particolarmente il dispositivo di taglio dopo l'uso, e prima di riporre il tagliasièpi per periodi di tempo prolungati. Oliare leggermente il dispositivo di taglio e applicare la copertura. La copertura in dotazione con l'unità può venire appesa al muro, fornendo un modo sicuro e pratico per riporre il tagliasièpi.
20. Riporre il tagliasièpi con la copertura applicata, in una stanza asciutta. Tenerlo fuori dalla portata dei bambini. Non riporre mai il tagliasièpi all'aperto.
21. Non puntare mai le lame a cesoie verso se stessi o altri.
22. Qualora le lame smettano di muoversi a causa di corpi estranei incastrati tra le lame durante l'uso, spegnere l'utensile e rimuovere la cartuccia della batteria, quindi rimuovere i corpi estranei utilizzando degli utensili, ad esempio delle pinze. La rimozione dei corpi estranei con le mani potrebbe causare lesioni personali, in quanto le lame potrebbero muoversi in risposta alla rimozione dei corpi estranei.

## CONSERVARE LE PRESENTI ISTRUZIONI.

### AVVERTIMENTO:

NON lasciare che la comodità o la familiarità d'uso con il prodotto (acquisita con l'uso ripetuto) sostituiscano la stretta osservanza delle norme di sicurezza. L'USO IMPROPRIO o la mancata osservanza delle norme di sicurezza riportate nel presente manuale di istruzioni potrebbero causare lesioni personali gravi.

## ISTRUZIONI DI SICUREZZA IMPORTANTI PER LA CARTUCCIA DELLA BATTERIA

ENC007-12

1. Prima di utilizzare la batteria, leggere tutte le istruzioni e gli avvisi di sicurezza relativi a (1) caricabatteria, (2) batteria e (3) prodotto utilizzato con la batteria.
2. Non smontare la batteria.
3. Se il tempo di funzionamento è diventato eccessivamente breve, non utilizzare l'utensile.

Potrebbero verificarsi surriscaldamenti, ustioni o esplosioni.

4. In caso di contatto dell'elettrolita della batteria con gli occhi, sciacquare con acqua fresca e rivolgersi immediatamente a un medico. Potrebbero verificarsi danni permanenti alla funzionalità visiva.
5. Non cortocircuitare la batteria:
  - (1) Non toccare i terminali della batteria con materiale in grado di condurre elettricità.
  - (2) Evitare di conservare la batteria a contatto con oggetti metallici quali chiodi, monete e così via.
  - (3) Non esporre le batterie all'acqua o alla pioggia.

Un cortocircuito può provocare un elevato flusso di corrente, surriscaldamento, ustioni o rotture.

6. Non conservare l'utensile e la batteria a una temperatura superiore a 50 °C.
7. Evitare di smaltire le batterie danneggiate o esaurite bruciandole. Se esposte al fuoco, le batterie possono esplodere.
8. Evitare di far cadere o di colpire la batteria.
9. Non utilizzare batterie danneggiate.
10. Le batterie a ioni di litio contenute sono soggette ai requisiti del regolamento sul trasporto di merci pericolose (Dangerous Goods Legislation). Per trasporti commerciali, ad esempio da parte di terzi o spedizionieri, è necessario osservare dei requisiti speciali sull'imballaggio e sull'etichetta. Per la preparazione dell'articolo da spedire, è richiesta la consulenza di un esperto in materiali pericolosi. Attenersi anche alle normative nazionali, che potrebbero essere più dettagliate. Nasstrare o coprire i contatti aperti e imballare la batteria in modo tale che non si possa muovere liberamente all'interno dell'imballaggio.
11. Attenersi alle normative della propria area geografica relative allo smaltimento delle batterie.
12. Utilizzare le batterie solo con i prodotti specificati da Makita. L'installazione delle batterie in prodotti non compatibili potrebbe causare incendi, calore eccessivo, esplosione o perdita di elettroliti.

## CONSERVARE QUESTE ISTRUZIONI.

### ATTENZIONE: Utilizzare solo batterie originali Makita.

L'utilizzo di batterie Makita non originali, o di batterie che siano state alterate, potrebbe risultare nello scoppio della batteria, causando incendi, lesioni personali e danni. Inoltre, ciò potrebbe invalidare la garanzia Makita per l'utensile e il caricabatterie Makita.

## Suggerimenti per il prolungamento della durata della batteria

1. Caricare le batterie prima di scaricarle completamente. Se si nota una diminuzione di potenza dell'utensile, interrompere il lavoro e ricaricare la batteria.
2. Non ricaricare una batteria già completamente carica.

In caso contrario, la durata operativa della batteria potrebbe ridursi.

3. Caricare la batteria in ambienti con temperatura compresa tra 10 °C e 40 °C. Prima di caricare una batteria surriscaldata, lasciarla raffreddare.
4. Caricare la batteria qualora non venga utilizzata per un lungo periodo (superiore a sei mesi).

## DESCRIZIONE FUNZIONALE

### ⚠ ATTENZIONE:

- Prima di regolare o controllare le funzioni dell'utensile, assicurarsi sempre di averlo spento e di aver rimosso la batteria.

### Inserimento o rimozione della batteria (Fig. 1)

#### ⚠ ATTENZIONE:

- Spegnerne sempre l'utensile prima di inserire o rimuovere la batteria.
- Tenere saldamente l'utensile e la batteria durante l'inserimento o la rimozione della batteria stessa. In caso contrario, l'utensile e la batteria potrebbero scivolare dalle mani, con conseguenti danni all'utensile, alla batteria e alla persona.

Per rimuovere la batteria, è sufficiente estrarla dall'utensile facendo scorrere il pulsante sulla parte anteriore della batteria.

Per inserire la batteria, allineare la linguetta sulla batteria con la scanalatura nell'alloggiamento e farla scorrere in posizione. Inserire a fondo la batteria fino a bloccarla in posizione con uno scatto. Se è visibile l'indicatore rosso sul lato superiore del pulsante, significa che la batteria non è completamente inserita.

#### ⚠ ATTENZIONE:

- Inserire sempre a fondo la batteria, fino alla scomparsa dell'indicatore rosso. In caso contrario, la batteria potrebbe fuoriuscire accidentalmente dall'utensile, provocando danni all'operatore o a eventuali osservatori.
- Non forzare l'inserimento della batteria. Se la batteria non scorre agevolmente, significa che la manovra di inserimento non è corretta.

#### NOTA:

- L'utensile non funziona con una sola batteria.

### Sistema di protezione dell'utensile e della batteria

L'utensile è dotato di un sistema di protezione dell'utensile e della batteria. Questo sistema interrompe automaticamente l'alimentazione del motore per prolungare la durata dell'utensile e della batteria. L'utensile si spegne automaticamente durante l'uso se l'utensile stesso o la batteria si trovano in una delle seguenti condizioni. In alcuni casi, gli indicatori si accendono.

### Protezione dal sovraccarico

Se usato in modo da causare un suo assorbimento anormalmente alto di corrente, l'utensile si spegne automaticamente senza alcuna indicazione. In questa situazione, spegnere l'utensile e interrompere

l'operazione che ha provocato il sovraccarico dell'utensile stesso. Successivamente, accendere nuovamente l'utensile per riavviarlo.

### Protezione dal surriscaldamento dell'utensile e della batteria

Quando l'utensile/la batteria si surriscalda, l'utensile si spegne automaticamente senza alcuna indicazione e non si avvia neanche tirando l'interruttore di accensione. In questa situazione, far raffreddare l'utensile e la batteria prima di accendere nuovamente l'utensile.

#### NOTA:

La protezione dal surriscaldamento della batteria funziona solo con una batteria con contrassegno a stella. (Fig. 2)

### Protezione dal sovraccaricamento (Fig. 3)

Se la capacità residua della batteria è bassa, l'indicatore della batteria lampeggia sul lato appropriato della batteria. Se si prosegue l'utilizzo, l'utensile si spegne e l'indicatore della batteria si accende per circa 10 secondi. In tal caso, ricaricare la batteria.

### Posizioni di regolazione dell'impugnatura

#### ⚠ ATTENZIONE:

- Prima dell'uso, assicurarsi sempre che l'impugnatura sia bloccata nella posizione desiderata. (Fig. 4)

In base alle operazioni, è possibile impostare l'angolo dell'impugnatura a 45° o 90° verso sinistra o verso destra. Per ruotare l'impugnatura, tirare la manopola e ruotare l'impugnatura come mostrato nella figura. L'impugnatura viene bloccata nella posizione a 45°. Per ruotare l'impugnatura nella posizione a 90°, tirare nuovamente la manopola e ruotare ulteriormente l'impugnatura.

### Azionamento dell'interruttore

#### ⚠ ATTENZIONE:

- Prima di inserire la batteria nell'utensile, controllare se l'interruttore funziona correttamente e ritorna in posizione "OFF" una volta rilasciato. (Fig. 5)

Per ragioni di sicurezza, questo utensile è dotato di un doppio sistema di interruttori. Per accendere l'utensile, premere la sicura di accensione e gli interruttori A e B. Per spegnere, rilasciare uno degli interruttori di accensione. L'utensile viene avviato solo se vengono tirati entrambi gli interruttori.

### Modifica della velocità (Fig. 6)

Il numero di corse al minuto può essere regolato ruotando la ghiera di regolazione. L'operazione può essere eseguita anche quando l'utensile è in funzione. I segni sulla ghiera vanno da 1 (velocità minima) a 6 (velocità massima).

Fare riferimento alla tabella seguente per quanto riguarda la relazione fra la posizione della ghiera di regolazione e il numero di corse al minuto.

| Numero sulla ghiera di regolazione | Corse al minuto (min <sup>-1</sup> ) |
|------------------------------------|--------------------------------------|
| 6                                  | 1.800                                |
| 5                                  | 1.750                                |
| 4                                  | 1.650                                |
| 3                                  | 1.500                                |
| 2                                  | 1.300                                |
| 1                                  | 1.000                                |

011264

### **ATTENZIONE:**

- La ghiera di regolazione della velocità può essere ruotata solamente fino a 6 e indietro fino a 1. Non forzarla oltre i numeri 6 o 1, altrimenti la regolazione della velocità non funzionerà più.
- Il numero di corse al minuto varia in base alle condizioni della batteria e delle lame da taglio.

## FUNZIONAMENTO

### **ATTENZIONE:**

- Prestare attenzione a non entrare accidentalmente in contatto con una palizzata metallica o altri oggetti duri durante il taglio. La lama si romperebbe causando gravi infortuni.
- Sporgersi con il taglia siepi, soprattutto da una scala, è estremamente pericoloso. Non lavorare su strutture pericolanti o instabili.

### **AVVISO:**

**Non tentare di tagliare rami con diametro superiore ai 10 mm utilizzando l'utensile.** Tagliare i rami 10 cm più in basso rispetto all'altezza di taglio utilizzando un tronccarami prima di utilizzare l'utensile. (Fig. 7)

### **ATTENZIONE:**

- Non tagliare alberi secchi o oggetti altrettanto duri. In caso contrario, si rischierebbe di danneggiare l'utensile. (Fig. 8)

Impugnare il taglia siepi con entrambe le mani e tirare gli interruttori di accensione A e B, spostando quindi l'utensile di fronte al proprio corpo. (Fig. 9)

Per un uso più semplice, inclinare la lama in direzione del taglio e spostarla lentamente e con calma a una velocità di 3-4 secondi per metro. (Fig. 10)

Per tagliare in modo uniforme la sommità di una siepe, è possibile tendere uno spago all'altezza desiderata per utilizzarlo come linea di riferimento durante il taglio. (Fig. 11)

L'uso di un raccoglitore di residui (accessorio opzionale) durante il taglio orizzontale delle siepi evita di spargere le foglie tagliate. (Fig. 12)

Prima dell'utilizzo, ruotare l'impugnatura per una maggiore maneggevolezza. Consultare la sezione "Posizioni di regolazione dell'impugnatura".

Per tagliare in modo uniforme il lato di una siepe, può essere d'aiuto procedere dal basso verso l'alto. (Fig. 13)  
Per ottenere buoni risultati, il bosso e il rododendro devono essere tagliati dalla base verso l'alto.

## Installazione o rimozione del raccoglitore di residui (accessorio opzionale)

### **ATTENZIONE:**

- Prima di installare o rimuovere il raccoglitore di residui, assicurarsi sempre di aver spento l'utensile e di aver rimosso la batteria.

### **NOTA:**

- Durante la sostituzione del raccoglitore di residui, indossare sempre i guanti per evitare il contatto diretto di mani e volto con la lama. In caso contrario, si potrebbero verificare lesioni personali.
- Accertarsi sempre di rimuovere il coprilama prima di installare il raccoglitore di residui.
- Il raccoglitore di residui raccoglie le foglie tagliate, impedendo che vengano disperse. Può essere installato su entrambi i lati dell'utensile. (Fig. 14)

Prendere il raccoglitore di residui sulle lame da taglio in modo che le sue scanalature si sovrappongano ai dadi delle lame da taglio. In questa fase, assicurarsi che il raccoglitore di residui non tocchi l'aggancio per i rami sulla sommità delle lame da taglio. (Fig. 15)

In questa fase, il raccoglitore di residui deve essere montato inserendo i ganci nelle scanalature dell'unità della lama da taglio. (Fig. 16)

Per rimuovere il raccoglitore di residui, premere la leva su entrambi i lati in modo da sbloccare i ganci. (Fig. 17)

### **ATTENZIONE:**

- Il coprilama non può essere montato sull'utensile quando è già montato il raccoglitore di residui. Prima di trasportare o riporre l'utensile, smontare il raccoglitore di residui e rimontare il coprilama per evitare di esporre la lama.

### **NOTA:**

- Prima dell'uso, verificare che il raccoglitore di residui sia installato correttamente.
- Non tentare di smontare il raccoglitore di residui esercitando una forza eccessiva sui ganci inseriti nelle scanalature dell'unità della lama. L'uso di forza eccessiva potrebbe danneggiare l'accessorio.

## MANUTENZIONE

### **ATTENZIONE:**

- Prima di effettuare interventi di ispezione e manutenzione, verificare sempre di aver spento l'utensile e di aver rimosso la batteria.
- Evitare assolutamente di usare benzina, diluenti, solventi, alcol o sostanze simili. In caso contrario, potrebbero verificarsi scoloriture, deformazioni o incrinature.

### **Pulizia dell'utensile**

Pulire l'utensile eliminando la polvere con un panno asciutto o immerso in acqua e sapone.

### **Manutenzione della lama**

Oliare la lama prima dell'uso e dopo ogni ora di utilizzo con olio per macchine o simili.

### **NOTA:**

- Rimuovere il raccoglitore di residui prima di oliare la lama.

Dopo l'uso, eliminare la polvere da entrambi i lati della lama con una spazzola metallica, pulire con un panno, quindi applicare una quantità sufficiente di olio a bassa viscosità, ad esempio olio per macchine o simili, oppure olio lubrificante spray.

#### **ATTENZIONE:**

- Non lavare le lame con acqua. Questa operazione potrebbe favorire la comparsa di ruggine o danneggiare l'utensile.

#### **AVVISO:**

**Nel caso in cui parti diverse dalle lame da taglio, come ad esempio il collare, siano usurate, rivolgersi ai centri assistenza autorizzati Makita per la sostituzione o la riparazione delle parti danneggiate.**

## **Installazione o rimozione della lama da taglio**

#### **ATTENZIONE:**

- Prima di rimuovere o installare la lama da taglio, verificare sempre che l'utensile sia spento e che la batteria sia stata rimossa.
- Durante la sostituzione della lama da taglio, indossare sempre i guanti e non rimuovere il coprilama per evitare il contatto diretto di mani e volto con la lama. In caso contrario, si potrebbero verificare lesioni personali.

#### **NOTA:**

- Non eliminare il grasso dall'ingranaggio e dal collare. In caso contrario, si potrebbero causare danni all'utensile.
- Per informazioni specifiche sulla rimozione e sull'installazione delle lame da taglio, fare riferimento al retro della confezione delle lame da taglio sostitutive.

## **Rimozione delle lame da taglio**

Capovolgere l'utensile e allentare le quattro viti. (Fig. 18)

#### **NOTA:**

- Prestare attenzione a non sporcarsi le mani con il grasso applicato nella zona di guida della lama da taglio.

Rimuovere il coperchio inferiore. (Fig. 19)

Rimuovere la piastra. (Fig. 20)

Con un cacciavite piatto, impostare il collare all'angolo illustrato in figura. (Fig. 21)

Rimuovere due viti dalle lame da taglio per estrarre l'unità delle lame da taglio. (Fig. 22)

#### **ATTENZIONE:**

- Riportare l'ingranaggio nella posizione originale di installazione, qualora sia stato tolto per errore.

## **Montaggio delle lame da taglio**

Preparare le 4 viti rimosse (per il coperchio inferiore), le 2 viti (per la lama da taglio), la piastra, il coperchio inferiore e le nuove lame da taglio.

Regolare la posizione del collare come mostrato nella figura. In questa fase, applicare un po' del grasso in dotazione con le nuove lame da taglio ai margini del collare. (Fig. 23)

Sovrapporre il foro ovale della lama superiore con quello della lama inferiore. (Fig. 24)

Rimuovere il coprilama dalle vecchie lame da taglio e inserirlo sulle nuove per facilitare le operazioni di sostituzione. (Fig. 25)

Inserire le nuove lame da taglio nell'utensile, in modo che i fori ovali delle lame corrispondano al collare.

Sovrapporre i fori delle lame da taglio con i fori per le viti sull'utensile e fissare il tutto con due viti. (Fig. 26)

Con un cacciavite piatto, assicurarsi che il collare ruoti senza difficoltà. (Fig. 27)

Montare la piastra e il coperchio inferiore sull'utensile. Serrare saldamente la vite.

#### **NOTA:**

- Non c'è differenza tra le parti superiore e inferiore della piastra.

Rimuovere il coprilama e accendere l'utensile per controllare che funzioni correttamente.

#### **NOTA:**

- Se le lame da taglio non funzionano correttamente, il collegamento tra le lame e il collare non è corretto. Ripetere la procedura dall'inizio.

## **Sostituzione delle spazzole in carbonio (Fig. 28)**

Rimuovere e controllare periodicamente le spazzole in carbonio. Sostituire le spazzole quando sono consumate fino al limite indicato. Mantenere le spazzole in carbonio pulite e in grado di scivolare liberamente nei supporti. Le spazzole in carbonio devono essere sostituite contemporaneamente. Utilizzare esclusivamente spazzole in carbonio identiche. (Fig. 29)

Inserire l'estremità superiore del cacciavite piatto nella tacca sull'utensile, quindi rimuovere il coperchio del supporto mediante sollevamento. (Fig. 30)

Utilizzare un cacciavite piatto per rimuovere i coperchi dei portaspazzola. Estrarre le spazzole in carbonio consumate, inserire le nuove spazzole e fissare i coperchi dei portaspazzola.

Rimontare il coperchio del supporto sull'utensile.

## **Stoccaggio**

Il foro sul fondo del coprilama è utile per appendere l'utensile a un chiodo o a una vite sul muro. (Fig. 31)

Rimuovere la batteria e applicare il coprilama sulle lame da taglio, in modo che le lame non siano esposte. Riporre l'utensile con attenzione e lontano dalla portata dei bambini.

Riporre l'utensile in un luogo non esposto ad acqua e pioggia.

Per mantenere la SICUREZZA e l'AFFIDABILITÀ del prodotto, qualsiasi riparazione o intervento di manutenzione e regolazione deve essere eseguito dai centri assistenza autorizzati Makita utilizzando sempre ricambi Makita.

## **ACCESSORI OPZIONALI**

#### **ATTENZIONE:**

- Si consiglia l'uso dei seguenti accessori per l'utensile Makita descritto in questo manuale. L'uso di qualsiasi altro accessorio potrebbe provocare lesioni personali. Utilizzare gli accessori esclusivamente per l'uso dichiarato.



Per l'assistenza e per ulteriori informazioni su tali accessori, rivolgersi al centro assistenza Makita di zona.

- Coprilama
- Unità lama da taglio
- Batteria e caricabatterie originali Makita
- Raccoglitore di residui

**NOTA:**

- Alcuni degli accessori elencati potrebbero essere inclusi nella confezione dell'utensile come accessori standard. Gli accessori standard possono differire da paese a paese.

## NEDERLANDS (Originele instructies)

### Verklaring van het onderdelenoverzicht

- |                         |   |  |
|-------------------------|---|--|
| 1. Rode deel            | 15. Hegoppervlak dat u wilt snoeien         | 26. Trek de vergrendeling uit de groeven |
| 2. Knop                 | 16. Kantel de messenbladen                  | 27. Schede                               |
| 3. Accu                 | 17. Drukken                                 | 28. Schroeven                            |
| 4. Ster-merkteken       | 18. Snoeiafvalgeleider                      | 29. Deksel op onderkant                  |
| 5. Accu-indicatorlampje | 19. Moer                                    | 30. Plaat                                |
| 6. Knop                 | 20. Messenblad                              | 31. Kruk                                 |
| 7. Behuizing            | 21. Takkenvanger                            | 32. Ovale gat in messenblad              |
| 8. Aan-uitschakelaar B  | 22. Vergrendelingen                         | 33. Slijtgrensmarkering                  |
| 9. Aan-uitschakelaar A  | 23. Plaats de vergrendelingen in de groeven | 34. Houderafdekking                      |
| 10. Uit-vergrendelknop  | 24. Groeven                                 | 35. Platkopschroevendraaier              |
| 11. Stelknop            | 25. Duw de knoppen aan beide zijden in      | 36. Koolborsteldop                       |
| 12. Snoeihoogte         |   |  |
| 13. 10 cm               |   |  |
| 14. Snoeirichting       |   |  |

## TECHNISCHE GEGEVENS

|   |                   |              |
|---|-------------------|--------------|
| Model   | DUH551            | DUH651       |
| Lengte messenblad                             | 550 mm            | 650 mm       |
| Aantal slagen per minuut (min <sup>-1</sup> ) | 1.000 - 1.800     |              |
| Totale lengte                                 | 1.065 mm          | 1.135 mm     |
| Nominale spanning                             | 36 V gelijkstroom |              |
| Nettogewicht                                  | 4,6 - 5,3 kg      | 4,7 - 5,5 kg |

- Als gevolg van ons doorlopende onderzoeks- en ontwikkelingsprogramma, zijn de technische gegevens van dit gereedschap onderhevig aan veranderingen zonder voorafgaande kennisgeving.
- De technische gegevens kunnen van land tot land verschillen.
- Het gewicht kan verschillen afhankelijk van het/de hulpstuk(ken), waaronder de accu. De lichtste en zwaarste combinatie, volgens EPTA-Procedure 01/2014, worden vermeld in de tabel.

## Geschikte accu en acculader

|           |   |
|-----------|---|
| Accu      | BL1815N/BL1820/BL1820B/BL1830/BL1830B/BL1840/BL1840B/BL1850/BL1850B/BL1860B |
| Acculader | DC18RC/DC18RD/DC18RE/DC18SD/DC18SE/DC18SF                                   |

- Sommige van de bovenvermelde accu's en acculaders zijn mogelijk niet leverbaar, afhankelijk van het gebied waarin u woont.

### WAARSCHUWING:

- **Gebruik uitsluitend de bovenvermelde accu's en acculaders.** Als u een andere accu of oplader gebruikt, kan dit leiden tot letsel en/of brand.

| Geluid | Geluidsdrukkniveau |                          | Geluidsvermogniveau      |                          | Toepasselijke norm of richtlijn |
|--------|--------------------|--------------------------|--------------------------|--------------------------|---------------------------------|
|        | Model              | L <sub>PA</sub> (dB (A)) | Onzekerheid (K) (dB (A)) | L <sub>PA</sub> (dB (A)) |                                 |
| DUH551 | 81,5               | 2,1                      | 91                       | 1,5                      | 2000/14/EG                      |
| DUH651 | 82                 | 1,4                      | 91,1                     | 1,5                      |                                 |

- Draag gehoorbescherming.

| Trillingen | Model         | Opgegeven emissie (m/s <sup>2</sup> ) | Onzekerheid K (m/s <sup>2</sup> ) | Toepasselijke norm of richtlijn |
|------------|---------------|---------------------------------------|-----------------------------------|---------------------------------|
|            |               |                                       |                                   |                                 |
|            | DUH551/DUH651 | ≤ 2,5                                 | 1,5                               | EN60745-2-15                    |

ENG901-1

- De opgegeven trillingsemisiewaarde is gemeten volgens de standaardtestmethode en kan worden

gebruikt om dit gereedschap te vergelijken met andere gereedschappen.

- De opgegeven trillingsemisiewaarde kan ook worden gebruikt voor een beoordeling vooraf van de blootstelling.

### **WAARSCHUWING:**

- De trillingsemisie tijdens het gebruik van het elektrisch gereedschap in de praktijk kan verschillen van de opgegeven trillingsemisiewaarde afhankelijk van de manier waarop het gereedschap wordt gebruikt.
- Zorg ervoor dat veiligheidsmaatregelen worden getroffen ter bescherming van de operator die zijn gebaseerd op een schatting van de blootstelling onder praktijkomstandigheden (rekening houdend met alle fasen van de bedrijfscyclus, zoals de tijdsduur gedurende welke het gereedschap is uitgeschakeld en stationair draait, naast de ingeschakelde tijdsduur).

### **Symbolen**

ENE013-5

Hieronder staan de symbolen die voor het gereedschap worden gebruikt. Zorg ervoor dat u weet wat ze betekenen alvorens de accu te gebruiken.



..... Lees de gebruiksaanwijzing.



..... Stel het gereedschap niet bloot aan vocht.



..... Alleen voor EU-landen

Geef elektrisch gereedschap en accu's niet met het huisvuil mee!

Volgens de Europese richtlijn inzake oude elektrische en elektronische apparaten, en inzake batterijen en accu's en oude batterijen en accu's, en de toepassing daarvan binnen de nationale wetgeving, dienen elektrisch gereedschap, accu's en batterijen die het einde van hun levensduur hebben bereikt, gescheiden te worden ingezameld en te worden afgevoerd naar een recyclebedrijf dat voldoet aan de geldende milieu-eisen.

### **Gebruiksdoelinden**

ENE014-1

Het gereedschap is bedoeld om heggen te snoeien.


### **EU-verklaring van conformiteit**

#### ***Alleen voor Europese landen***

De EU-verklaring van conformiteit is opgenomen als Bijlage A in deze instructiehandleiding.

## **Algemene veiligheidswaarschuwingen voor elektrisch gereedschap**

GEA010-1

 **WAARSCHUWING** Lees alle veiligheidswaarschuwingen en alle instructies. Het niet volgen van de waarschuwingen en instructies kan leiden tot elektrische schokken, brand en/of ernstig letsel.

## **Bewaar alle waarschuwingen en instructies om in de toekomst te kunnen raadplegen.**

## **Veiligheidswaarschuwingen voor een accuheggenchaar**

GEB062-7

1. **Houd alle lichaamsdelen uit de buurt van de messenbladen. Verwijder geen snoeiafval en houd geen materiaal om te snoeien vast terwijl de messenbladen bewegen. De messenbladen blijven nalopen nadat het gereedschap is uitgeschakeld. Zorg ervoor dat de aan/uit-schakelaar in de uitstand staat voordat u vastgeklemd materiaal uit de messenbladen verwijdert.** Een ogenblik van onoplettendheid kan tijdens het gebruik van de heggenchaar leiden tot ernstig persoonlijk letsel.
2. **Draag de heggenchaar aan het handvat met stilstaande messenbladen. Bij het transporteren of opbergen van de heggenchaar moet altijd de schede om de messenbladen worden gedaan.** Door op de juiste manier met de heggenchaar om te gaan, verkleint u de kans op mogelijk letsel door de messenbladen.
3. **Houd het elektrisch gereedschap alleen vast bij het geïsoleerde oppervlak omdat de messenbladen met verborgen bedrading in aanraking kunnen komen.** Wanneer de messenbladen in aanraking komen met onder spanning staande draden, zullen de niet-geïsoleerde metalen delen van het gereedschap onder spanning komen te staan zodat de gebruiker een elektrische schok kan krijgen.
4. **GEVAAR - Houd uw handen uit de buurt van de messenbladen.** Aanraking van de messenbladen kan leiden tot ernstig persoonlijk letsel.
5. **Gebruik de heggenchaar niet in de regen of onder natte of zeer vochtige omstandigheden.** De elektromotor is niet waterdicht.
6. **Beginnende gebruikers dienen door een ervaren gebruiker van heggencharen te worden voorgedaan hoe de heggenchaar moet worden gebruikt.**
7. **De heggenchaar mag niet worden gebruikt door kinderen of jeugd jonger dan 18 jaar.** Jongeren ouder dan 16 jaar kunnen uitgezonderd worden van deze regel mits zij les krijgen onder toezicht van een expert.
8. **Gebruik de heggenchaar alleen als u in goede lichamelijke conditie bent.** Als u vermoeid bent, kunt u zich minder goed concentreren. Wees met name voorzichtig aan het einde van de werkdag. Werk altijd rustig en voorzichtig. De gebruiker is aansprakelijk voor alle schade toegebracht aan derden.
9. **Gebruik de heggenchaar nooit onder invloed van alcohol, drugs of medicijnen.**
10. **Werkhandschoenen van stevig leer maken deel uit van de standaard werkuitrusting van de heggenchaar en moeten tijdens het werken ermee altijd worden gedragen. Draag tevens stevige schoenen met antislip zolen.**
11. **Alvorens met de werkzaamheden te beginnen, moet u controleren of de heggenchaar in goede en veilige staat verkeert. Controleer dat de beschermkappen stevig gemonteerd zijn. De heggenchaar mag niet worden gebruikt voordat deze geheel compleet en afgemonteerd is.**

12. Zorg alvorens met de werkzaamheden te beginnen ervoor dat u stevig staat.
13. Houd tijdens het gebruik het gereedschap stevig vast.
14. Laat het gereedschap niet onnodig onbelast draaien.
15. Schakel het gereedschap onmiddellijk uit en verwijder de accu als het snijgarnituur van de heggenschaar in aanraking komt met een afrastering of ander hard voorwerp. Controleer het snijgarnituur op beschadigingen en repareer het onmiddellijk.
16. Alvorens het snijgarnituur te controleren, storingen te verhelpen of vastgelopen materiaal uit het snijgarnituur te verwijderen, schakelt u de heggenschaar altijd uit en verwijdert u de accu.
17. Schakel de heggenschaar uit en verwijder de accu alvorens enige onderhoudswerkzaamheden uit te voeren.
18. Wanneer u de heggenschaar naar een andere plaats overbrengt, ook tijdens het werk, verwijdert u altijd eerst de accu en brengt u de schede aan over de messenbladen. Draag of vervoer de heggenschaar nooit met ingeschakelde snijgarnituur. Pak het snijgarnituur nooit met uw handen beet.
19. Reinig de heggenschaar, en met name het snijgarnituur, na ieder gebruik en voordat de heggenschaar langdurig wordt opgeborgen. Smeer het snijgarnituur met een beetje olie en breng de schede aan. De schede die bij het gereedschap is geleverd kan aan een muur worden gehangen zodat de heggenschaar praktisch en veilig opgeborgen kan worden.
20. Berg de heggenschaar op met aangebrachte schede in een droog vertrek. Houd het gereedschap buiten bereik van kinderen. Laat de heggenschaar nooit buiten liggen.
21. Richt de messenbladen nooit op uzelf of anderen.
22. Als de messenbladen tijdens gebruik stoppen met bewegen doordat vreemde voorwerpen verstrikt geraakt zijn tussen de messenbladen, schakelt u het gereedschap uit en verwijdert u de accu, en verwijdert u vervolgens de vreemde voorwerpen met behulp van gereedschappen, zoals een tang. Als u de vreemde voorwerpen met de hand verwijdert, kan dat leiden tot letsel omdat de messenbladen kunnen gaan bewegen als reactie op het verwijderen van de vreemde voorwerpen.

## BEWAAR DEZE VOORSCHRIFTEN.

### WAARSCHUWING:

Laat u NIET misleiden door een vals gevoel van comfort en bekendheid met het gereedschap (na veelvuldig gebruik) en neem alle veiligheidsvoorschriften van het betreffende gereedschap altijd strikt in acht. **VERKEERD GEBRUIK** of het niet naleven van de veiligheidsvoorschriften in deze gebruiksaanwijzing kan leiden tot ernstig letsel.

## BELANGRIJKE VEILIGHEIDSLINSTRUCTIES VOOR EEN ACCU

ENC007-12

1. Alvorens de accu in gebruik te nemen, leest u eerst alle instructies en waarschuwingsofschriften op (1) de acculader, (2) de accu en (3) het apparaat waarin de accu wordt aangebracht.
2. Haal de accu niet uit elkaar.
3. Als de gebruikstijd aanzienlijk korter is geworden, stopt u onmiddellijk met het gebruik. Anders kan dit leiden tot kans op oververhitting, mogelijke brandwonden en zelfs een explosie.
4. Als de elektrolyt in uw ogen komt, wast u deze uit met schoon water en raadpleegt u onmiddellijk een arts. Dit kan leiden tot verlies van gezichtsvermogen.
5. Sluit de accu niet kort:
  - (1) Raak de accupolen niet aan met enig geleidend materiaal.
  - (2) Bewaar de accu niet op een plaats waar deze in aanraking kan komen met andere metalen voorwerpen, zoals spijkers, munten, enz.
  - (3) Stel de accu niet bloot aan water of regen. Kortsluiting van de accu kan leiden tot een hoge stroomsterkte, oververhitting, mogelijke brandwonden en zelfs een defect.
6. Bewaar het gereedschap en de accu niet op plaatsen waar de temperatuur kan oplopen tot 50 °C of hoger.
7. Werp de accu niet in een vuur, zelfs niet als deze al ernstig beschadigd of helemaal versleten is. De accu kan in een vuur exploderen.
8. Wees voorzichtig dat u de accu niet laat vallen of ergens tegenaan doet.
9. Gebruik nooit een beschadigde accu.
10. De bijgeleverde lithium-ionbatterijen zijn onderhevig aan de vereisten in de wetgeving omtrent gevaarlijke stoffen. Voor commercieel transport en dergelijke door derden en transporteurs moeten speciale vereisten ten aanzien van verpakking en etikettering worden nageleefd. Als voorbereiding van het artikel dat wordt getransporteerd is het noodzakelijk een expert op het gebied van gevaarlijke stoffen te raadplegen. Houd u tevens aan mogelijk strengere nationale regelgeving. Blootliggende contactpunten moeten worden afgedekt met tape en de accu moet zodanig worden verpakt dat deze niet kan bewegen in de verpakking.
11. Neem de plaatselijke regelgeving met betrekking tot het weggooien van de accu in acht.
12. Gebruik de accu's uitsluitend met de apparaten opgegeven door Makita. Als de accu's worden geplaatst in niet-compatibele apparaten, kan dat leiden tot brand, buitensporige hitte, een explosie of lekkage van elektrolyt.

## BEWAAR DEZE INSTRUCTIES.

 LET OP: Gebruik uitsluitend originele Makita accu's.

Het gebruik van niet-originele accu's, of accu's die zijn gewijzigd, kan ertoe leiden dat de accu ontploft en brand, persoonlijk letsel en schade veroorzaakt. Ook vervalt daarmee de garantie van Makita op het gereedschap en de lader van Makita.

## Tips voor een lange levensduur van de accu

1. **Laad de accu op voordat deze volledig leeg is.** Wanneer u merkt dat het gereedschap minder vermogen heeft, stopt u met het gebruik ervan en laadt u eerst de accu op.
2. **Laad nooit een volledig opgeladen accu op.** Te lang opladen verkort de levensduur van de accu.
3. **Laad de accu op bij een omgevingstemperatuur van 10 °C tot 40 °C.** Laat een warme accu eerst afkoelen voordat u deze oplaadt.
4. **Als de accu gedurende een lange tijd (meer dan zes maanden) niet gebruikt, laadt u deze eerst op alvorens deze te gebruiken.**

## BESCHRIJVING VAN DE FUNCTIES

### ⚠ LET OP:

- Zorg ervoor dat het gereedschap is uitgeschakeld en dat de accu is verwijderd voordat u de werking van het gereedschap aanpast of controleert.

## De accu aanbrengen en verwijderen (zie afb. 1)

### ⚠ LET OP:

- Schakel het gereedschap altijd uit voordat u de accu aanbrengt of verwijderd.
- **Houd het gereedschap en de accu stevig vast tijdens het aanbrengen of verwijderen van de accu.** Als u het gereedschap en de accu niet stevig vasthoudt, kunnen deze uit uw handen glijpen en beschadigd raken, of kan persoonlijk letsel worden veroorzaakt.

Om de accu te verwijderen verschuift u de knop aan de voorkant van de accu en schuift u tegelijkertijd de accu eraf.

Om de accu aan te brengen, lijnt u de lip op de accu uit met de groef in de behuizing en duwt u de accu op zijn plaats. Steek de accu zo ver mogelijk erin tot u een klikgeluid hoort. Als u het rode deel aan de bovenkant van de knop kunt zien, is de accu niet goed aangebracht.

### ⚠ LET OP:

- Breng de accu altijd helemaal aan totdat het rode deel niet meer zichtbaar is. Als u dit niet doet, kan de accu per ongeluk uit het gereedschap vallen en letsel veroorzaken bij u of anderen in uw omgeving.
- Breng de accu niet met kracht aan. Als de accu niet gemakkelijk erin kan worden geschoven, wordt deze niet goed aangebracht.

### OPMERKING:

- Het gereedschap werkt niet als slechts één accu is aangebracht.

## Gereedschap-/accubeveiligingssysteem

Het gereedschap is uitgerust met een gereedschap-/accubeveiligingssysteem. Dit systeem schakelt automatisch de voeding naar de motor uit om de levensduur van het gereedschap en de accu te verlengen. Het gereedschap zal tijdens gebruik automatisch stoppen wanneer het gereedschap of de accu zich in een van de volgende omstandigheden bevindt: Onder bepaalde omstandigheden gaan de indicatorlampjes branden.

## Overbelastingsbeveiliging

Wanneer het gereedschap wordt gebruikt op een manier waardoor een abnormaal hoge stroom wordt getrokken, stopt het gereedschap automatisch zonder dat een indicatorlampje gaat branden. Schakel in die situatie het gereedschap uit en stop het gebruik dat ertoe leidde dat het gereedschap overbelast werd. Schakel daarna het gereedschap in om het weer te starten.

## Oververhittingsbeveiliging voor het gereedschap en de accu

Wanneer het gereedschap of de accu oververhit is, stopt het gereedschap automatisch zonder dat een indicatorlampje gaat branden. Het gereedschap start niet meer, ook niet wanneer de aan-uitschakelaar wordt ingeknepen. In die situatie laat u het gereedschap of de accu eerst afkoelen voordat u het gereedschap opnieuw inschakelt.

### OPMERKING:

De oververhittingsbeveiliging van de accu werkt alleen met een accu waarop het ster-merkteken staat (zie afb. 2).

## Beveiliging tegen te ver ontladen (zie afb. 3)

Wanneer de resterende acculading laag wordt, gaat het accu-indicatorlampje knipperen aan de kant van de betreffende accu. Bij verder gebruik stopt het gereedschap en brandt het accu-indicatorlampje gedurende ongeveer 10 seconden. In die situatie laadt u de accu op.

## Draaiestand van handvat

### ⚠ LET OP:

- Controleer voor gebruik altijd dat het handvat in de gewenste stand goed is vergrendeld (zie afb. 4). Afhankelijk van het gebruik, kunt u de hoek van het handvat instellen op 45° of 90° naar links of rechts. Om het handvat te draaien, trek u aan de knop en draait u het handvat zoals aangegeven in de afbeelding. Het handvat wordt vergrendeld in de stand 45°. Om het handvat te draaien naar de stand 90°, trekt u nogmaals aan de knop en draait u het handvat verder.

## Werking van de aan-uitschakelaar

### ⚠ LET OP:

- Controleer altijd, voordat u de accu in het gereedschap steekt, of de aan-uitschakelaar op de juiste manier schakelt en weer terugkeert naar de uit-stand nadat deze is losgelaten (zie afb. 5).

Voor uw veiligheid heeft dit gereedschap een tweevoudig in-/uitschakelsysteem. Om het gereedschap in te schakelen, drukt u op de uit-vergrendelknop en knijpt u de aan-uitschakelaar A en B in. Om het gereedschap uit te schakelen, laat u een van beide aan-uitschakelaars los. Het gereedschap kan alleen worden ingeschakeld wanneer beide aan-uitschakelaars worden ingeknepen.

## De snelheid veranderen (zie afb. 6)

Het aantal slagen per minuut kan worden ingesteld door de stelknop te draaien. Dit kan zelfs worden gedaan terwijl het gereedschap wordt gebruikt. De stelknop is gemerkt van 1 (laagste snelheid) tot 6 (volle snelheid). Raadpleeg onderstaande tabel voor het aantal slagen per minuut in iedere stand van de stelknop.

| Cijfer op stelknop | Aantal slagen per minuut (min <sup>-1</sup> ) |
|--------------------|---|
| 6                  | 1.800   |
| 5                  | 1.750   |
| 4                  | 1.650   |
| 3                  | 1.500   |
| 2                  | 1.300   |
| 1                  | 1.000   |

011264

### ⚠ LET OP:

- U kunt de stelknop voor de snelheid alleen tot aan het cijfer 6 draaien en terug naar 1. Forceer de regelaar niet voorbij de 6 of de 1 omdat de snelheidsregeling daardoor defect kan raken.
- Het aantal slagen per minuut varieert met de toestand van de accu en messenbladen.

## BEDIENING

### ⚠ LET OP:

- Wees voorzichtig niet per ongeluk een metalen afrastering of andere harde voorwerpen te raken tijdens het snoeien. De messenbladen zullen breken en kunnen ernstig letsel veroorzaken.
- Het is bijzonder gevaarlijk met de heggenschaar te ver te reiken, met name op een ladder. Werk niet vanuit een wankele of instabiele stand.

### KENNISGEVING:

**Probeer geen takken dikker dan 10 mm diameter te snoeien met dit gereedschap.** Snoei takken tot 10 cm minder dan de snoeihoogte met takkenscharen voordat u het gereedschap gebruikt (zie afb. 7).

### ⚠ LET OP:

- Snoei niet in dode bomen of andere harde voorwerpen. Als u zich hier niet aan houdt, kan het gereedschap worden beschadigd (zie afb. 8).
- Druk met beide handen de aan-uitschakelaars A en B in, houdt de heggenschaar vóór uw lichaam en snoei vervolgens van beneden naar boven (zie afb. 9). Als standaardmethode houdt u de messenbladen gekanteld in de snoeirichting en beweegt u ze rustig en langzaam met een snelheid van 3 of 4 seconden per meter (zie afb. 10).

Om de bovenkant van een heg gelijkmatig te snoeien, is het handig een touwtje op de gewenste hoogte te spannen en er langs te snoeien (zie afb. 11).

Door een snoeiafvalgeleider (los verkrijgbaar) op het gereedschap aan te brengen bij het recht snoeien van een heg, wordt voorkomen dat het snoeiafval wordt weggevoerd (zie afb. 12).

Draai het handvat voor een comfortabele bediening alvorens verder te werken. Raadpleeg de tekst onder "Draaistand van handvat".

Om de zijkant van een heg gelijkmatig te snoeien, is het handig van onder naar boven te snoeien (zie afb. 13). Snoei buxus en roododendron van onder naar boven voor een mooie, gladde afwerking.

## De snoeiafvalgeleider (los verkrijgbaar) aanbrengen en verwijderen

### ⚠ LET OP:

- Zorg er altijd voor dat het gereedschap is uitgeschakeld en de accu is verwijderd, voordat u de snoeiafvalgeleider aanbrengt of verwijdert.

### OPMERKING:

- Draag bij het aanbrengen of verwijderen van de snoeiafvalgeleider altijd handschoenen zodat uw handen en gezicht niet rechtstreeks in aanraking komen met de messenbladen. Als u dat niet doet, kan dit leiden tot persoonlijk letsel.
- Haal altijd eerst de schede van de messenbladen af voordat u de snoeiafvalgeleider aanbrengt.
- De snoeiafvalgeleider vangt de gesnoeide blaadjes af en vergemakkelijkt het verzamelen van de vallende blaadjes. Deze kan aan beide kanten van het gereedschap worden bevestigd (zie afb. 14).

Duw de snoeiafvalgeleider op de messenbladen zodat de sleuven over de moeren op de messenbladen vallen. Let erop dat de snoeiafvalgeleider de takkenvanger aan de voorkant van de messenbladen niet raakt (zie afb. 15). De snoeiafvalgeleider moet zodanig worden aangebracht dat de vergrendelingen ervan aangrijpen in de groeven in de messenbladen (zie afb. 16).

Om de snoeiafvalgeleider te verwijderen, drukt u aan beide zijden op de vergrendeling zodat deze loslaat (zie afb. 17).

### ⚠ LET OP:

- De schede kan niet om de messenbladen worden geschoven terwijl de snoeiafvalgeleider is aangebracht. Alvorens de heggenschaar mee te nemen of op te bergen, verwijdert u de snoeiafvalgeleider en schuift u de schede om de messenbladen om te voorkomen dat deze bloot liggen.

### OPMERKING:

- Controleer de snoeiafvalgeleider op correcte montage alvorens deze te gebruiken.
- Probeer de snoeiafvalgeleider nooit met grote kracht te verwijderen terwijl de vergrendelingen aangrijpen in de gleuven van de messenbladen. Bij gebruik van grote kracht kan de snoeiafvalgeleider worden beschadigd.

## ONDERHOUD

### LET OP:

- Zorg er altijd voor dat de machine is uitgeschakeld en de accu is verwijderd, voordat u een inspectie of onderhoud uitvoert.
- Gebruik nooit benzine, wasbenzine, thinner, alcohol, enz. Dit kan leiden tot verkleuren, vervormen of barsten.

### Het gereedschap schoonmaken

Maak het gereedschap schoon door het stof eraf te vegen met een droge of met zeepwater bevochtigde doek.

### Onderhoud van messenbladen

Smeer de messenbladen voor aanvang van de werkzaamheden en na ieder bedrijfsuur met machineolie of gelijkwaardig.

#### OPMERKING:

- Verwijder de snoeiafvalgeleider alvorens de messenbladen te smeren.
- Verwijder na de werkzaamheden het vuil van beide zijden van de messenbladen met behulp van een staalborstel, veeg de messenbladen schoon met een doek, en breng voldoende olie met een lage viscositeit aan, zoals bijvoorbeeld machineolie, smeerolie uit een spuitbus, enz.

### LET OP:

- Was de messenbladen niet met water. Als u dit toch doet, kunnen de messenbladen gaan roesten of het gereedschap worden beschadigd.

#### KENNISGEVING:

**Als andere onderdelen dan de messenbladen, zoals de kruk, versleten zijn, vraagt u een erkend Makita-servicecentrum om vervangingsonderdelen of reparatie.**

### De messenbladen aanbrengen en verwijderen

#### LET OP:

- Zorg er altijd voor dat het gereedschap is uitgeschakeld en de accu is verwijderd, voordat u de messenbladen aanbrengt of verwijderd.
- Draag bij het aanbrengen of verwijderen van de messenbladen altijd handschoenen zonder de schede eraf te halen zodat uw handen en gezicht niet rechtstreeks in aanraking komen met de messenbladen. Als u dat niet doet, kan dit leiden tot persoonlijk letsel.

#### OPMERKING:

- Veeg het vet op het tandwiel en de kruk niet af. Als u dit toch doet, kan het gereedschap worden beschadigd.
- Voor de specifieke methode van het verwijderen en aanbrengen van messenbladen, leest u de achterkant van de verpakking van de los verkrijgbare messenbladen.

### De messenbladen verwijderen

Draai het gereedschap ondersteboven en draai de vier schroeven los (zie afb. 18).

#### OPMERKING:

- Wees voorzichtig uw handen niet vuil te maken aan het vet in het tandwielhuis van de messenbladen.

Verwijder het deksel op de onderkant (zie afb. 19).

Verwijder de plaat (zie afb. 20).

Draai de kruk met behulp van een platkopschroevendraaier naar de hoek aangegeven in de afbeelding (zie afb. 21).

Verwijder de twee schroeven uit de messenbladen zodat de messenbladen uit het gereedschap verwijderd kunnen worden (zie afb. 22).

### LET OP:

- Plaats het tandwiel terug in de oorspronkelijke stand waarin het werd aangebracht in het geval het per ongeluk eruit is gekomen.

### De messenbladen aanbrengen

Bereid de 4 schroeven (voor het deksel op de onderkant), de 2 schroeven (voor de messenbladen), de plaat, het deksel op de onderkant en de nieuwe messenbladen voor.

Draai de kruk naar de stand zoals aangegeven in de afbeelding. Breng vet aan, dat bij de nieuwe messenbladen werd geleverd, rondom de kruk (zie afb. 23).

Leg het ovale gat in het bovenste messenblad over het gat in het onderste messenblad (zie afb. 24).

Haal de schede van de oude messenbladen af en schuif hem op de nieuwe messenbladen om veiliger te werken tijdens het vervangen van de messenbladen (zie afb. 25).

Plaats de nieuwe messenbladen in het gereedschap zodat de ovale gaten in de messenbladen over de kruk passen. Laat de gaten in de messenbladen samenvallen met de schroefgaten in het gereedschap en zet ze daarna vast met de twee schroeven (zie afb. 26).

Controleer met een platkopschroevendraaier of de kruk soepel draait (zie afb. 27).

Monteer de plaat en het deksel op de onderkant van het gereedschap. Draai de schroeven stevig aan.

#### OPMERKING:

- Er is geen onderscheid tussen de boven- en onderkant van de plaat.

Haal de schede van de messenbladen af en schakel daarna het gereedschap in om te controleren of het goed werkt.

#### OPMERKING:

- Als de messenbladen niet goed werken, zijn ze niet goed op de kruk bevestigd. Voer de procedure vanaf het begin opnieuw uit.

### De koolborstels vervangen (zie afb. 28)

Verwijder en controleer de koolborstels regelmatig. Vervang deze wanneer ze tot aan de slijtgrensmarkering zijn afgesleten. Houd de koolborstels schoon en zorg ervoor dat ze vrij kunnen bewegen in de houders. Beide koolborstels dienen tegelijkertijd te worden vervangen. Gebruik alleen identieke koolborstels (zie afb. 29).

Steek een platkopschroevendraaier in de inkeping in het gereedschap en verwijder de houderafdekking door deze omhoog te wippen (zie afb. 30).

Gebruik een platkopschroevendraaier om de koolborsteldoppen te verwijderen. Haal de versleten

koolborstels eruit, plaats de nieuwe erin, en zet de koolborsteldoppen goed vast.  
Plaats de houderafdekking terug op het gereedschap.

## Opslag

Het gaatje in het deksel op de onderkant is handig om het gereedschap aan een spijker in de muur op te hangen (zie afb. 31).

Verwijder de accu en schuif de schede over de messenbladen zodat deze niet bloot liggen. Bewaar het gereedschap buiten bereik van kinderen.

Bewaar het gereedschap op een plaats die niet is blootgesteld aan water of regen.

Om de VEILIGHEID en BETROUWBAARHEID van het gereedschap te handhaven, dienen alle reparaties, onderhoud en afstellingen te worden uitgevoerd door een erkend Makita-servicecentrum, en altijd met gebruikmaking van originele Makita- vervangingsonderdelen.

## VERKRIJGBARE ACCESSOIRES

### LET OP:

- Deze accessoires of hulpstukken worden aanbevolen voor gebruik met het Makita-gereedschap dat in deze gebruiksaanwijzing wordt beschreven. Het gebruik van andere accessoires of hulpstukken kan gevaar voor persoonlijk letsel opleveren. Gebruik de accessoires of hulpstukken uitsluitend voor de aangegeven gebruiksdoeleinden.

Mocht u meer informatie willen hebben over deze accessoires, dan kunt u contact opnemen met uw plaatselijke Makita-servicecentrum.

- Schede
- Messenbladen
- Originele Makita-accu en -lader
- Snoeiafvalgeleider

### OPMERKING:

- Sommige items op de lijst kunnen zijn inbegrepen in de doos van het gereedschap als standaard toebehoren. Zij kunnen van land tot land verschillen.



# ESPAÑOL (Instrucciones originales)

## Explicación de los dibujos

- |                             |   |   |
|-----------------------------|---|---|
| 1. Indicador rojo           | 15. Superficie del seto que se desea cortar           | 27. Cubierta de la cuchilla                   |
| 2. Botón                    | 16. Incline las cuchillas                             | 28. Tornillos                                 |
| 3. Cartucho de la batería   | 17. Pulse   | 29. Cubierta inferior                         |
| 4. Marca de estrella        | 18. Receptor de virutas                               | 30. Placa                                     |
| 5. Indicador de batería     | 19. Tuerca  | 31. Cigüeñal                                  |
| 6. Pomo                     | 20. Cuchilla de corte                                 | 32. Orificio oval de la cuchilla de corte     |
| 7. Alojamiento              | 21. Recogedor de ramas                                | 33. Marca de límite                           |
| 8. Interruptor disparador B | 22. Ganchos   | 34. Cubierta de la tapa del portaherramientas |
| 9. Interruptor disparador A | 23. Encaje los ganchos en la ranura                   | 35. Destornillador de punta plana             |
| 10. Botón de desbloqueo     | 24. Ranuras   | 36. Tapa del portaescobillas                  |
| 11. Dial de ajuste          | 25. Ejercer presión sobre las palancas en ambos lados |   |
| 12. Altura de corte         | 26. Desbloquee los ganchos                            |   |
| 13. 10 cm                   |   |   |
| 14. Dirección de corte      |   |   |

## ESPECIFICACIONES

| Modelo                                   | DUH551        | DUH651       |
|--|---------------|--------------|
| Longitud de la cuchilla                  | 550 mm        | 650 mm       |
| Carreras por minuto (min <sup>-1</sup> ) | 1.000 - 1.800 |              |
| Longitud total                           | 1.065 mm      | 1.135 mm     |
| Tensión nominal                          | 36 V CC       |              |
| Peso neto                                | 4,6 - 5,3 kg  | 4,7 - 5,5 kg |

- Debido a nuestro programa continuo de investigación y desarrollo, las especificaciones aquí descritas están sujetas a cambios sin previo aviso.
- Las especificaciones pueden ser diferentes de un país a otro.
- El peso puede diferir en función de los accesorios, incluyendo el cartucho de la batería. En la tabla se muestran la combinación más ligera y la más pesada, de acuerdo con el Procedimiento EPTA 01/2014.

## Cargador y cartucho de la batería aplicable

|                        |   |
|------------------------|---|
| Cartucho de la batería | BL1815N/BL1820/BL1820B/BL1830/BL1830B/BL1840/BL1840B/BL1850/BL1850B/BL1860B |
| Cargador               | DC18RC/DC18RD/DC18RE/DC18SD/DC18SE/DC18SF                                   |

- Es posible que algunos de los cartuchos de la batería y los cargadores que se muestran más arriba no estén disponibles, en función de su región de residencia.

### ADVERTENCIA:

- **Utilice solo los cartuchos de la batería y los cargadores que se muestran más arriba.** El uso de cualquier otro cartucho de la batería y otros cargadores puede crear un riesgo de lesiones y/o incendio.

| Ruido  | Nivel de presión sonora |                          | Nivel de potencia sonora |                          | Directiva o estándar aplicable |
|--------|-------------------------|--------------------------|--------------------------|--------------------------|--------------------------------|
|        | Modelo                  | L <sub>PA</sub> (dB (A)) | Incertidumbre K (dB (A)) | L <sub>PA</sub> (dB (A)) |                                |
| DUH551 | 81,5                    | 2,1                      | 91                       | 1,5                      | 2000/14/CE                     |
| DUH651 | 82                      | 1,4                      | 91,1                     | 1,5                      |                                |

- Utilice protección para los oídos.

| Vibración     | Emisiones declaradas (m/s <sup>2</sup> ) | Incertidumbre K (m/s <sup>2</sup> ) | Directiva o estándar aplicable |
|---------------|--|-------------------------------------|--------------------------------|
| Modelo        |  |                                     |                                |
| DUH551/DUH651 | ≤ 2,5                                    | 1,5                                 | EN60745-2-15                   |

- El valor de emisión de vibraciones se ha medido de acuerdo con el método de prueba estándar y se puede utilizar para comparar herramientas.
- El valor de emisión de vibraciones declarado también se puede usar en una evaluación preliminar de la exposición.

ENG901-1

## **ADVERTENCIA:**

- La emisión de vibraciones durante el uso de la herramienta eléctrica puede diferir del valor de emisiones declarado, dependiendo de las formas en que se utiliza la herramienta.
- Asegúrese de identificar las mediciones correctas para proteger al operario, que se basan en una estimación de la exposición en condiciones de uso reales (teniendo en cuenta todas las partes del ciclo de operaciones, como los momentos en los que la herramienta está apagada y cuando funciona al ralentí además del tiempo en que está activado el interruptor).

### **Símbolo**

END013-5

Se utilizan los siguientes símbolos para el equipo. Asegúrese de que comprende su significado antes del uso.



..... Lea el manual de instrucciones.



..... No la exponga a la lluvia.



..... Sólo para países de la Unión Europea

¡No deseche el aparato eléctrico o la batería junto con los residuos domésticos!  
De conformidad con la Directiva Europea sobre residuos de aparatos eléctricos y electrónicos, y sobre baterías y acumuladores y el desecho de baterías y acumuladores y su aplicación de acuerdo con la legislación nacional, la herramienta eléctrica y las baterías y paquetes de baterías cuya vida útil haya llegado a su fin se deberán recoger por separado y trasladar a una planta de reciclaje que cumpla con las exigencias ecológicas.

### **Uso previsto**

ENE014-1

La herramienta está diseñada para cortar setos.


### **Declaración de conformidad de la CE**

#### **Sólo para países europeos**

La Declaración de conformidad de la CE se incluye como Anexo A en este manual de instrucciones.

## **Advertencias de seguridad generales para herramientas eléctricas**

GEA010-1

 **ADVERTENCIA** Lea todas las advertencias de seguridad y todas las instrucciones. La no observancia de las advertencias y las instrucciones puede provocar descargas eléctricas, incendios y/o lesiones graves.

## **Guarde todas las advertencias e instrucciones para futuras consultas.**

## **Advertencias de seguridad para el cortasetos inalámbrico**

GEB062-7

1. **Mantenga todas las partes del cuerpo alejadas de la cuchilla de corte. No retire el material cortado o sujete el material que va a cortar cuando las cuchillas estén moviéndose. Las cuchillas continúan moviéndose después del apagado. Asegúrese de que el interruptor está desactivado cuando retire material atascado.** Un momento de inatención mientras está operando el cortasetos puede resultar en heridas personales graves.
2. **Transporte el cortasetos agarrándolo por el mango con la cuchilla de corte detenida. Cuando transporte o almacene el cortasetos, coloque siempre la cubierta del dispositivo de corte.** Un manejo correcto del cortasetos reducirá la posibilidad de heridas personales con las cuchillas de corte.
3. **Sujete la herramienta eléctrica por las superficies de asimiento aisladas solamente, porque la cuchilla de corte puede entrar en contacto con cableado oculto.** El contacto de las cuchillas de corte con un cable con corriente puede hacer que la corriente circule por las partes metálicas expuestas de la herramienta eléctrica y soltar una descarga eléctrica al operario.
4. **PELIGRO - Mantenga las manos alejadas de la cuchilla.** El contacto con la cuchilla provocará heridas personales graves.
5. **No utilice el cortasetos en la lluvia o en condiciones mojadas o muy húmedas.** El motor eléctrico no es a prueba de agua.
6. **Los usuarios que utilicen el cortasetos por primera vez tendrán que tener con ellos un usuario con experiencia en el uso de cortasetos para enseñarles cómo utilizar el cortasetos.**
7. **El cortasetos no debe ser utilizado por niños o personas jóvenes de menos de 18 años de edad.** Las personas jóvenes de más de 16 años de edad pueden excluirse de esta restricción si están recibiendo preparación bajo la supervisión de un experto.
8. **Utilice el cortasetos solamente si usted se encuentra en buena condición física.** Si está cansado, su atención se reducirá. Tenga cuidado especial al final de la jornada laboral. Realice todo el trabajo con calma y con cuidado. El usuario es responsable de todos los daños causados a terceros.
9. **No utilice nunca el cortasetos cuando esté bajo la influencia de alcohol, drogas o medicamento.**
10. **Los guantes de trabajo de cuero resistente son parte del equipo básico del cortasetos y se deben llevar puestos siempre que se trabaje con él. Póngase también zapatos robustos con suelas antideslizantes.**
11. **Antes de comenzar el trabajo, compruebe para asegurarse de que el cortasetos está en buen estado de funcionamiento y que se puede usar con seguridad. Asegúrese de que los protectores están colocados firmemente. El cortasetos no debe ser utilizado a menos que esté totalmente ensamblado.**
12. **Asegúrese de que tiene suelo firme antes de comenzar la operación.**

13. Sujete la herramienta firmemente cuando la esté utilizando.
14. No utilice la herramienta sin carga innecesariamente.
15. Apague el motor inmediatamente y retire el cartucho de batería si la cuchilla entra en contacto con una valla u otro objeto duro. Compruebe la cuchilla por si está dañada, y si está dañada repárela inmediatamente.
16. Antes de comprobar la cuchilla, ocuparse de los fallos, o de retirar material enganchado en la cuchilla, apague siempre el cortasetos y retire el cartucho de batería.
17. Apague el cortasetos y retire el cartucho de batería antes de realizar cualquier trabajo de mantenimiento.
18. Cuando mueva el cortasetos a otro lugar, incluyendo durante el trabajo, retire siempre el cartucho de batería y ponga la cubierta de las cuchillas en las cuchillas de corte. No transporte nunca el cortasetos con la cuchilla en movimiento. No agarre nunca la cuchilla con las manos.
19. Limpie el cortasetos y especialmente la cuchilla después de utilizarlo, y antes de almacenar el cortasetos durante periodos de tiempo largos. Enaceite ligeramente la cuchilla y póngale la cubierta. La cubierta suministrada con la unidad se puede colgar en la pared, ofreciendo una forma segura y práctica de almacenar el cortasetos.
20. Almacene el cortasetos con la cubierta puesta, en un cuarto seco. Manténgalo alejado del alcance de los niños. No almacene nunca el cortasetos en exteriores.
21. No dirija nunca las cuchillas de tijeras hacia usted u otros.
22. Si las cuchillas dejan de moverse debido al atasco de objetos extraños entre las cuchillas durante la operación, apague la herramienta y retire el cartucho de batería, y después retire los objetos extraños utilizando implementos como unos alicates. Retirar los objetos extraños con la mano puede ocasionar heridas por el hecho de que las cuchillas pueden moverse como reacción al retirar los objetos extraños.

## GUARDE ESTAS INSTRUCCIONES.

### ADVERTENCIA:

**NO deje que la comodidad o familiaridad con el producto (a base de utilizarlo repetidamente) sustituya la estricta observancia de las normas de seguridad para el producto en cuestión. El MAL USO o el no seguir las normas de seguridad establecidas en este manual de instrucciones podrá ocasionar heridas personales graves.**

## INSTRUCCIONES DE SEGURIDAD IMPORTANTES PARA EL CARTUCHO DE BATERÍA

ENC007-12

1. Antes de utilizar el cartucho de la batería, lea todas las instrucciones y referencias de precaución que se encuentran en (1) el cargador de baterías, (2) la batería y (3) el producto que utiliza la batería.
2. No desmonte el cartucho de la batería.
3. Si el tiempo de funcionamiento es excesivamente corto, deje de utilizar la herramienta de inmediato. De lo contrario, existe el riesgo de sobrecalentamiento, quemaduras e incluso explosión.
4. Si se produce contacto ocular con electrolito, enjuáguese los ojos con agua limpia y acuda de urgencia al médico. Corre el riesgo de perder la visión.
5. No cortocircuite el cartucho de la batería:
  - (1) No toque los terminales con material conductor.
  - (2) Evite guardar el cartucho de la batería en un recipiente con otros objetos metálicos, como clavos, monedas, etc.
  - (3) No exponga el cartucho de la batería al agua o a la lluvia.

Un cortocircuito puede provocar un elevado flujo de corriente, sobrecalentamiento, quemaduras o incluso una avería.
6. No almacene la herramienta ni el cartucho de la batería en lugares donde la temperatura supere los 50 °C (122 °F).
7. No queme el cartucho de la batería aunque esté gravemente dañado o completamente gastado. El cartucho de la batería puede explotar si entra en contacto con fuego.
8. Procure que la batería no sufra golpes ni caídas.
9. No utilice una batería dañada.
10. Las baterías de litio-ion contenidas están sujetas a los requisitos de la Legislación para Materiales Peligrosos.
 

Para transportes comerciales, p.ej., por terceras personas y agentes de transportes, se deberán observar requisitos especiales para el empaquetado y etiquetado.

Para la preparación del artículo que se va a enviar, se requiere consultar con un experto en materiales peligrosos. Por favor, observe también la posibilidad de reglamentos nacionales más detallados.

Cubra con cinta aislante o enmascare los contactos expuestos y empaquete la batería de tal manera que no se pueda mover alrededor dentro del embalaje.
11. Siga las normativas locales relativas al desecho de la batería.
12. Utilice las baterías solo con los productos especificados por Makita. La instalación de las baterías en productos no compatibles puede provocar un incendio, un calor excesivo, una explosión o fuga de electrolitos.

# GUARDE ESTAS INSTRUCCIONES.

**⚠ PRECAUCIÓN:** Utilice solamente baterías genuinas de Makita.

La utilización de baterías no genuinas de Makita, o baterías que han sido alteradas, puede resultar en una explosión de la batería ocasionando incendios, heridas personales y daños. También anulará la garantía de Makita para la herramienta y el cargador de Makita.

## Consejos para conseguir una mayor duración de la batería

1. **Cargue la batería antes de que se descargue por completo.**  
Cuando observe que la herramienta tiene menos potencia, deje de utilizarla y cargue el cartucho de la batería.
2. **No recargue nunca un cartucho de batería completamente cargado.**  
La sobrecarga acorta la vida útil de la batería.
3. **Cargue el cartucho de la batería a una temperatura ambiente que oscile entre 10 °C y 40 °C (50 °F - 104 °F). Antes de cargar un cartucho de batería caliente, deje que se enfríe.**
4. **Cargue el cartucho de la batería si no lo ha utilizado durante un período prolongado (más de seis meses).**

## DESCRIPCIÓN DEL FUNCIONAMIENTO

**⚠ PRECAUCIÓN:**

- Antes de ajustar o comprobar la herramienta, asegúrese siempre de que está apagada y de que la batería ha sido extraída.

## Instalación o extracción del cartucho de la batería (Fig. 1)

**⚠ PRECAUCIÓN:**

- Apague siempre la herramienta antes de instalar o extraer el cartucho de la batería.
- **Sujete la herramienta y el cartucho de la batería firmemente cuando instale o extraiga el cartucho de la batería.** Si no sujeta la herramienta y el cartucho de la batería firmemente, pueden resbalar de sus manos y pueden producirse daños en la herramienta o el cartucho de la batería, así como lesiones personales.

Para quitar el cartucho de la batería, mantenga pulsado el botón de la parte frontal del cartucho y retírelo.

Para instalar el cartucho de la batería, alinee la lengüeta situada en el cartucho de la batería con la ranura del alojamiento e insértelo. Insértelo completamente hasta que quede firmemente encajado con un clic. Si puede ver el indicador rojo de la zona superior del botón, significa que el cartucho no está encajado completamente.

**⚠ PRECAUCIÓN:**

- Instale siempre completamente el cartucho de la batería de forma que el indicador rojo quede oculto. De lo contrario, el cartucho puede desprenderse

accidentalmente de la herramienta y causar lesiones al operario o a alguna persona que se encuentre cerca.

- No presione excesivamente el cartucho de la batería para instalarlo. Si el cartucho no entra con suavidad, significa que no lo está instalando correctamente.

**NOTA:**

- La herramienta no funciona con un cartucho de la batería solamente.

## Sistema de protección de la herramienta/batería

La herramienta está equipada con un sistema de protección de la herramienta/batería. Este sistema corta automáticamente la alimentación al motor para ampliar la duración de la herramienta y la batería.

El funcionamiento de la herramienta se detendrá automáticamente si la herramienta o la batería están sometidas a las siguientes condiciones: En algunas condiciones, los indicadores se encienden.

## Protección contra la sobrecarga

Cuando la herramienta se utilice de una forma que haga que consuma una cantidad anormalmente alta de corriente, la herramienta se detendrá automáticamente sin indicaciones. En ese caso, apague la herramienta y detenga la aplicación que hizo que la herramienta se sobrecargara. A continuación, encienda la herramienta para reiniciar las operaciones.

## Protección contra el sobrecalentamiento de la herramienta/batería

Si la herramienta/batería se sobrecalienta, la herramienta se detiene automáticamente sin indicaciones. La herramienta no se enciende aunque se pulse el interruptor disparador. En ese caso, deje que la herramienta/batería se enfríe antes de volver a encenderla.

**NOTA:**

La protección contra el sobrecalentamiento de la batería solamente funciona con un cartucho de batería que tenga una marca de estrella. (Fig. 2)

## Protección contra exceso de descarga (Fig. 3)

Cuando la capacidad restante de la batería es baja, el indicador de la batería parpadea en el lado de la batería aplicable. Si se continúa con el uso, la herramienta se detiene y el indicador de la batería se enciende unos 10 segundos. En ese caso, cargue el cartucho de la batería.

## Posiciones de montaje del asidero

**⚠ PRECAUCIÓN:**

- Asegúrese siempre de que el asidero esté bloqueado en la posición deseada antes de utilizar la herramienta. (Fig. 4)

Dependiendo de las operaciones, puede ajustar el ángulo del asidero en una posición de 45° o 90° hacia la izquierda o la derecha. Para girar el asidero, tire del pomo y gire el asidero tal y como se muestra en la figura. El asidero se bloqueará en una posición de 45°. Para girar el

asidero a la posición de 90°, vuelva a tirar del pomo y gire más el asidero.

## Acción del interruptor

### ⚠ PRECAUCIÓN:

- Antes de insertar el cartucho de la batería en la herramienta, asegúrese siempre de que el interruptor disparador funciona como es debido y que vuelve a la posición "OFF" (apagado) al soltarlo. (Fig. 5)

Por su seguridad, esta herramienta está equipada con un sistema dual de interruptores. Para encender la herramienta, pulse el botón de desbloqueo y el interruptor disparador A y B. Para desactivar el interruptor, suelte uno de los interruptores disparadores. La herramienta solo se pondrá en marcha cuando tire de ambos interruptores disparadores.

## Cambio de velocidad (Fig. 6)

El número de golpes por minuto puede ajustarse girando el dial de ajuste. Se puede hacer incluso mientras la herramienta está funcionando. El dial está marcado del 1 (velocidad mínima) al 6 (velocidad máxima).

Consulte la siguiente tabla para obtener información sobre la relación entre los números del dial y el número de golpes por minuto.

| Número del dial de ajuste | Carreras por minuto (min <sup>-1</sup> ) |
|---------------------------|--|
| 6                         | 1.800                                    |
| 5                         | 1.750                                    |
| 4                         | 1.650                                    |
| 3                         | 1.500                                    |
| 2                         | 1.300                                    |
| 1                         | 1.000                                    |

011264

### ⚠ PRECAUCIÓN:

- El dial de ajuste de la velocidad puede girarse hasta 6 y de vuelta hasta 1 solamente. No lo fuerce más allá de 6 ó 1, o la función de ajuste de velocidad podrá dejar de funcionar.
- Los golpes por minuto pueden variar de acuerdo con las condiciones del cartucho de la batería y de las cuchillas de corte.

## FUNCIONAMIENTO

### ⚠ PRECAUCIÓN:

- Tenga cuidado de no entrar en contacto accidentalmente con una valla metálica u otros objetos duros mientras corta. La cuchilla puede romperse y causar lesiones graves.
- Intente llegar demasiado lejos con un cortasetos, especialmente desde una escalera, es extremadamente peligroso. No trabaje desde ninguna superficie que se tambalee o no sea firme.

### AVISO:

**No intente cortar ramas de un grosor superior a 10 mm de diámetro con la herramienta.** Corte las ramas 10 cm por debajo de la altura de corte usando unas tijeras de podar antes de usar la herramienta. (Fig. 7)

### ⚠ PRECAUCIÓN:

- No corte árboles muertos u objetos duros similares. De lo contrario, podría dañar la herramienta. (Fig. 8)

Sujete el cortasetos con ambas manos, tire de los interruptores disparadores A y B y después muévalo por delante de su cuerpo. (Fig. 9)

Como operación de manejo básica, incline las cuchillas en la dirección de corte y mueva el cortasetos tranquilamente y suavemente a una velocidad de 3 - 4 segundos por metro. (Fig. 10)

Para cortar de forma uniforme la parte superior de un seto, resulta de ayuda atar una cuerda a la altura deseada del seto y cortar a lo largo de ella, usándola como referencia. (Fig. 11)

Si se acopla el receptor de virutas (accesorio opcional) en la herramienta cuando se corta el seto de forma recta, se puede evitar que las hojas salgan despedidas. (Fig. 12)

Gire el asidero para facilitar el manejo antes de la operación. Consulte la sección con el título "Posiciones de montaje del asidero".

Para cortar el lateral de un seto de forma uniforme, resulta útil cortar desde la parte inferior hacia arriba. (Fig. 13)

Corte madera de boj o rododendro desde la base hacia la parte superior para lograr un aspecto atractivo y un buen trabajo.

## Instalación o extracción del receptor de virutas (accesorio opcional)

### ⚠ PRECAUCIÓN:

- Asegúrese siempre de que la herramienta esté apagada y de que se haya extraído el cartucho de la batería antes de instalar o extraer el receptor de virutas.

### NOTA:

- Siempre que reemplace el receptor de virutas, utilice guantes para que las manos y la cara no entren en contacto con la cuchilla. De lo contrario, puede sufrir lesiones personales.
- Asegúrese siempre de que se haya retirado la cubierta de la cuchilla antes de instalar el receptor de virutas.
- El receptor de virutas recibe hojas cortadas y ayuda a recoger las hojas que salen despedidas. Puede instalarse en cualquier lado de la herramienta. (Fig. 14)

Ejercer presión sobre el receptor de virutas en las cuchillas de forma que sus hendiduras se solapen con las tuercas de las cuchillas. A continuación, asegúrese de que el receptor de virutas no entre en contacto con el recogedor de ramas en la parte superior de las cuchillas. (Fig. 15)

A continuación, el receptor de virutas debe instalarse de forma que sus ganchos encajen en las ranuras de la unidad de la cuchilla. (Fig. 16)

Para extraer el receptor de virutas, pulse su palanca en ambos lados de forma que los ganchos estén desbloqueados. (Fig. 17)

### ⚠ PRECAUCIÓN:

- La cubierta de la cuchilla no se puede instalar en la herramienta con el receptor de virutas instalado. Antes de transportar o almacenar la herramienta, desinstale

el receptor de virutas e instale la cubierta de la cuchilla para evitar la exposición de la cuchilla.

#### NOTA:

- Compruebe si el receptor de virutas está correctamente instalado antes de su uso.
- Nunca intente desinstalar el receptor de virutas aplicando una fuerza excesiva sobre sus ganchos bloqueados en las ranuras de la unidad de la cuchilla. El uso de una fuerza excesiva puede dañarlo.

## MANTENIMIENTO

### ⚠ PRECAUCIÓN:

- Asegúrese de apagar siempre la herramienta y extraer el cartucho de la batería antes de intentar realizar cualquier trabajo de inspección o mantenimiento en ella.
- Nunca utilice gasolina, benceno, disolvente, alcohol o un producto similar. Se puede provocar una decoloración, una deformación o grietas.

### Limpieza de la herramienta

Limpie la herramienta eliminando la suciedad con un trapo húmedo o empapado en jabón.

### Mantenimiento de la cuchilla

Engrase la cuchilla antes de su uso, y una vez por hora durante su uso, con aceite para máquina o un producto similar.

#### NOTA:

- Antes de engrasar la cuchilla, extraiga el receptor de virutas.

Tras su uso, elimine la suciedad de ambos lados de la cuchilla con un cepillo de alambre, límpiela con un trapo y después aplique suficiente aceite de baja viscosidad, como aceite para máquina, etc. y aceite lubricante en aerosol.

### ⚠ PRECAUCIÓN:

- No limpie las cuchillas con agua. En caso contrario se pueden provocar daños o herrumbre en la herramienta.

#### AVISO:

**Si se desgastan piezas que no sean las cuchillas de corte, como por ejemplo el cigüeñal, acuda a un centro de servicio autorizado por Makita para solicitar la reparación o sustitución de dichas piezas.**

### Extracción o instalación de la cuchilla de corte

#### ⚠ PRECAUCIÓN:

- Antes de extraer o instalar la cuchilla de corte, asegúrese siempre de que la herramienta esté apagada y que se haya extraído el cartucho de la batería.
- Siempre que reemplace la cuchilla de corte, póngase guantes sin extraer la cubierta de la cuchilla para que las manos y la cara no entren en contacto con la cuchilla. De lo contrario, puede sufrir lesiones personales.

#### NOTA:

- No limpie la grasa de los engranajes o del cigüeñal. De lo contrario, podría dañar la herramienta.

- Para obtener instrucciones para extraer e instalar las cuchillas consulte la parte posterior de un paquete de accesorios de cuchillas de corte.

### Extracción de las cuchillas de corte

Dé la vuelta a la herramienta y afloje cuatro tornillos.

(Fig. 18)

#### NOTA:

- Tenga cuidado de no ensuciarse las manos cuando aplique grasa en el área de empuje de la cuchilla de corte.

Extraiga la cubierta inferior. (Fig. 19)

Extraiga la placa. (Fig. 20)

Ajuste el cigüeñal en el ángulo que se muestra en la figura con un destornillador de punta plana. (Fig. 21)

Extraiga dos tornillos de las cuchillas y podrá extraer la unidad de la cuchilla. (Fig. 22)

### ⚠ PRECAUCIÓN:

- Devuelva el engranaje a la posición original, de la misma forma en que estaba instalado, si se ha extraído por error.

### Instalación de las cuchillas de corte

Prepare los 4 tornillos extraídos (para la cubierta inferior), 2 tornillos (para la cuchilla de corte), la placa, la cubierta inferior y nuevas cuchillas.

Ajuste la posición del cigüeñal como se muestra en la figura. A continuación, aplique parte de la grasa proporcionada con las nuevas cuchillas a la periferia del cigüeñal. (Fig. 23)

Solape el orificio oval de la cuchilla superior con el de la inferior. (Fig. 24)

Retire la cubierta de la cuchilla de las cuchillas antiguas y encájela en las nuevas para facilitar la sustitución de las cuchillas. (Fig. 25)

Coloque las nuevas cuchillas en la herramienta de forma que los orificios ovales de las cuchillas encajen en el cigüeñal. Solape los orificios de las cuchillas con los orificios para tornillos de la herramienta y, a continuación, fíjelos con dos tornillos. (Fig. 26)

Compruebe si el cigüeñal gira suavemente con un destornillador de punta plana. (Fig. 27)

Instale la placa y la cubierta inferior en la herramienta.

Apretete firmemente el tornillo.

#### NOTA:

- No hay ninguna diferencia entre la parte superior e inferior de la placa.

Extraiga la cubierta de la cuchilla y, a continuación, encienda la herramienta para comprobar si se mueve correctamente.

#### NOTA:

- Si las cuchillas no funcionan correctamente, el contacto entre las cuchillas y el cigüeñal es incorrecto. Vuelva a empezar desde el principio.

### Reemplazo de las escobillas de carbón (Fig. 28)

Extraiga y compruebe periódicamente las escobillas de carbón. Cámbielas cuando el desgaste alcance la marca de límite. Mantenga las escobillas de carbón limpias y de forma que entren libremente en el portaescobillas. Ambas escobillas de carbón deberán ser sustituidas al mismo

tiempo. Utilice únicamente escobillas de carbón idénticas. **(Fig. 29)**

Inserte el extremo superior del destornillador de punta plana en la muesca de la herramienta y extraiga la cubierta de la tapa del portaherramientas tirando hacia arriba de ella. **(Fig. 30)**

Utilice un destornillador de punta plana para extraer las tapas del portaescobillas. Extraiga las escobillas de carbón gastadas, inserte las nuevas y vuelva a fijar las tapas del portaescobillas.

Vuelva a colocar la cubierta de la tapa del portaherramientas en la herramienta.

## Almacenamiento

El orificio para el gancho de la parte inferior de la cubierta de la cuchilla es útil para colgar la herramienta de un clavo o un tornillo en la pared. **(Fig. 31)**

Extraiga el cartucho de la batería y coloque la cubierta de la cuchilla en las cuchillas para que no queden expuestas. Guarde la herramienta con cuidado fuera del alcance de los niños.

Guarde la herramienta en un lugar que no esté expuesto al agua y la lluvia.

Para mantener la **SEGURIDAD** y la **FIABILIDAD** del producto, las reparaciones y cualquier otra tarea de mantenimiento o ajuste deberán ser realizadas en centros de servicio autorizados por Makita, utilizando siempre repuestos Makita.

## ACCESORIOS OPCIONALES

### PRECAUCIÓN:

- Se recomienda el uso de estos accesorios o complementos con la herramienta Makita especificada en este manual. El uso de otros accesorios o complementos puede conllevar el riesgo de ocasionar daños corporales. Utilice los accesorios o complementos solamente para su fin establecido.

Si necesita cualquier ayuda para obtener más información relativa a estos accesorios, pregunte a su centro de servicio Makita local.

- Cubierta de la cuchilla
- Ensamblado de cuchilla de corte
- Batería y cargador originales de Makita
- Receptor de virutas

### NOTA:

- Algunos elementos de la lista se pueden incluir en el paquete de la herramienta como accesorios estándar. Pueden ser diferentes de un país a otro.

# PORTUGUÊS (Instruções de origem)

## Descrição geral

- |                         |  |   |
|-------------------------|--|---|
| 1. Indicador vermelho   | 14. Direcção da aparagem                     | 26. Desbloqueie os ganchos              |
| 2. Botão                | 15. Superfície da sebe a aparar              | 27. Cobertura da lâmina                 |
| 3. Bateria              | 16. Incline as lâminas                       | 28. Parafusos                           |
| 4. Marca de estrela     | 17. Prima                                    | 29. Tampa de baixo                      |
| 5. Indicador da bateria | 18. Apanha-apanas                            | 30. Placa                               |
| 6. Manípulo             | 19. Porca                                    | 31. Manivela                            |
| 7. Compartimento        | 20. Lâmina da tesoura                        | 32. Orifício oval da lâmina da tesoura  |
| 8. Gatilho B            | 21. Dispositivo receptor de ramos            | 33. Marca limite                        |
| 9. Gatilho A            | 22. Ganchos                                  | 34. Cobertura da tampa do porta-escovas |
| 10. Botão de bloqueio   | 23. Instale os ganchos na ranhura            | 35. Chave de fendas                     |
| 11. Manípulo de ajuste  | 24. Ranhuras                                 | 36. Tampa do porta-escovas              |
| 12. Altura de corte     | 25. Pressione as alavancas em ambos os lados |   |
| 13. 10 cm               |  |   |

## ESPECIFICAÇÕES

|  |               |              |
|--|---------------|--------------|
| Modelo                                 | DUH551        | DUH651       |
| Comprimento da lâmina                  | 550 mm        | 650 mm       |
| Cortes por minuto (min <sup>-1</sup> ) | 1.000 - 1.800 |              |
| Comprimento total                      | 1.065 mm      | 1.135 mm     |
| Tensão nominal                         | C.C.36V       |              |
| Peso líquido                           | 4,6 - 5,3 kg  | 4,7 - 5,5 kg |

- Devido à pesquisa e desenvolvimento constantes, estas especificações estão sujeitas a alteração sem aviso prévio.
- Estas especificações podem diferir de país para país.
- O peso pode variar dependendo do(s) acessório(s), incluindo a bateria. A combinação mais leve e a mais pesada, de acordo com o procedimento EPTA 01/2014, são apresentadas na tabela.

## Bateria e carregador aplicáveis

|            |   |
|------------|---|
| Bateria    | BL1815N/BL1820/BL1820B/BL1830/BL1830B/BL1840/BL1840B/BL1850/BL1850B/BL1860B |
| Carregador | DC18RC/DC18RD/DC18RE/DC18SD/DC18SE/DC18SF                                   |

- Algumas baterias e carregadores indicados acima podem não estar disponíveis consoante a região de residência.

### AVISO:

- **Utilize apenas os tipos de bateria e carregador indicados acima.** A utilização de qualquer outra bateria ou carregador pode criar um risco de ferimentos e/ou incêndios.

| Ruído  | Nível de pressão sonora |                          | Nível de potência sonora |                          | Norma ou directiva aplicável |
|--------|-------------------------|--------------------------|--------------------------|--------------------------|------------------------------|
|        | Modelo                  | L <sub>PA</sub> (dB (A)) | Incerteza K (dB (A))     | L <sub>PA</sub> (dB (A)) |                              |
| DUH551 | 81,5                    | 2,1                      | 91                       | 1,5                      | 2000/14/EC                   |
| DUH651 | 82                      | 1,4                      | 91,1                     | 1,5                      |                              |

- Use protecção ocular.

| Vibração      | Emissão declarada (m/s <sup>2</sup> ) | Incerteza K (m/s <sup>2</sup> ) | Norma ou directiva aplicável |
|---------------|---------------------------------------|---------------------------------|------------------------------|
| Modelo        |                                       |                                 |                              |
| DUH551/DUH651 | ≤ 2,5                                 | 1,5                             | EN60745-2-15                 |

ENG901-1

- O valor da emissão de vibração declarado foi medido de acordo com o método de teste padrão e pode ser utilizado para comparar uma ferramenta com outra.
- O valor da emissão de vibração declarado pode também ser utilizado numa avaliação preliminar de exposição.

### AVISO:

- A emissão de vibração durante a utilização real da ferramenta eléctrica pode ser diferente do valor de emissão declarado, dependendo da forma como a ferramenta é utilizada.
- Certifique-se de que identifica medidas de segurança, para proteger o operador, que são baseadas numa



estimativa de exposição nas condições reais de utilização (tendo em conta todas as partes do ciclo de funcionamento, como as vezes que a ferramenta é desligada e quando está a trabalhar ao ralenti, além do tempo de utilização).

#### **Símbolo**

END013-5

Descrição dos símbolos utilizados no equipamento.

Certifique-se de que compreende o seu significado, antes da utilização.



..... Leia o manual de instruções.



..... Não exponha a extensão à humidade.



..... Apenas para países da UE

Não deite equipamentos eléctricos ou a bateria no lixo doméstico!

De acordo com as directivas europeias sobre ferramentas eléctricas e electrónicas usadas e baterias, acumuladores e baterias usadas e a sua aplicação em conformidade com as leis nacionais, as ferramentas eléctricas, as baterias e conjuntos usados devem ser recolhidos em separado e encaminhados para uma instalação de reciclagem dos materiais ecológicos.

#### **Utilização prevista**

ENE014-1

A ferramenta destina-se a aparar sebes.

#### **Declaração de conformidade CE**

##### **Apenas para os países europeus**

A declaração de conformidade CE está incluída como Anexo A neste manual de instruções.

## **Avisos gerais de segurança para ferramentas eléctricas**

GEA010-1

**⚠ AVISO** Leia todos os avisos de segurança e todas as instruções. O não cumprimento dos avisos e instruções pode resultar na ocorrência de choques eléctricos, incêndios e/ou ferimentos graves.

## **Guarde todos os avisos e instruções para referência futura.**

## **Avisos de Segurança para o Aparador De Cerca Viva a Bateria**

GEB062-7

- 1. Mantenha todas as partes do corpo afastadas da lâmina de corte. Não remova material cortado nem segure material a cortar quando as lâminas estiverem em movimento. As lâminas giram sem tração após a desativação. Verifique se o interruptor está desligado quando desimpedir material encravado.** Um momento de desatenção durante a operação do aparador de cerca viva pode resultar em ferimentos pessoais graves.
- 2. Transporte o aparador de cerca viva segurando a pega com a lâmina de corte imobilizada. Quando transportar ou guardar o aparador de cerca viva encaixe sempre a tampa do dispositivo de corte.** O manuseamento apropriado do aparador de cerca viva reduz eventuais lesões físicas resultantes das lâminas de corte.
- 3. Segure a ferramenta elétrica apenas pelas superfícies de agarrar isoladas, porque a lâmina de corte poderá tocar em fios ocultos.** As lâminas de corte que tocam num fio sob tensão poderão colocar sob tensão as peças metálicas expostas da ferramenta elétrica e podem provocar um choque elétrico no operador.
- 4. PERIGO - Mantenha as mãos afastadas da lâmina.** O contacto com a lâmina resultará em lesões físicas graves.
- 5. Não utilize o aparador de cerca viva sob precipitação ou em condições chuvosas ou de muita humidade.** O motor eléctrico não é estanque.
- 6. As pessoas que utilizam o aparador de cerca viva pela primeira vez devem ser instruídos por um utilizador experiente capaz de lhes demonstrar como utilizar o aparador.**
- 7. O aparador de cerca viva não deve ser utilizado por crianças ou jovens com idade inferior a 18 anos.** Os jovens com mais de 16 anos poderão estar isentos desta restrição se estiverem a receber formação sob a supervisão de um utilizador experiente.
- 8. Utilize o aparador de cerca viva apenas se estiver em boas condições físicas.** Se estiver cansado, a sua atenção será reduzida. Tenha especial atenção no final de um dia de trabalho. Realize todo o trabalho com calma e cuidado. O utilizador é responsável por todos os danos causados a terceiros.
- 9. Nunca utilize o aparador se estiver sob a influência de álcool, drogas ou medicamentos.**
- 10. As luvas de trabalho de couro robusto fazem parte do equipamento básico do aparador de cerca viva e têm de ser sempre usadas quando trabalhar com esta ferramenta. Use sempre calçado robusto com solas antideslizantes.**
- 11. Antes de iniciar o trabalho, verifique se o aparador apresenta condições de trabalho adequadas e seguras. Assegure que os resguardos estão corretamente instalados. O aparador de cerca viva não deve ser utilizado se não estiver completamente montado.**
- 12. Certifique-se de que usou de uma posição segura antes de iniciar a operação.**
- 13. Agarre a ferramenta com firmeza durante a sua utilização.**
- 14. Não opere a ferramenta sem carga desnecessariamente.**
- 15. Desligue imediatamente o motor e retire a bateria se o cortador entrar em contacto com uma cerca ou outro objeto duro. Verifique eventuais danos no cortador e, caso se encontre danificado, repare-o imediatamente.**
- 16. Antes de verificar o cortador, reparar avarias ou remover material preso no cortador, desligue sempre o aparador e remova a bateria.**

17. Desligue o aparador e remova a bateria antes de realizar qualquer trabalho de manutenção.
18. Quando mover o aparador de cerca viva para outro local, incluindo durante o trabalho, remova sempre a bateria e coloque a tampa da lâmina nas lâminas de corte. Nunca mova ou transporte o aparador com o cortador em funcionamento. Nunca agarre o cortador com as mãos.
19. Limpe o aparador de cerca viva e especialmente o cortador após a utilização e antes de colocar o aparador no armazém por períodos prolongados. Lubrifique ligeiramente o cortador e coloque a tampa. A tampa fornecida com a unidade pode ser pendurada na parede, proporcionando uma forma segura e prática de guardar o aparador de cerca viva.
20. Guarde o aparador de cerca viva com a tampa colocada num local seco. Mantenha-o fora do alcance das crianças. Nunca guarde o aparador em espaços exteriores.
21. Nunca aponte as lâminas de corte na sua direcção ou na direcção de terceiros.
22. Se as lâminas pararem devido ao encravamento de objetos estranhos entre as lâminas durante o funcionamento, desligue a ferramenta e remova a bateria e, em seguida, remova os objetos estranhos utilizando ferramentas, tais como um alicate. A remoção manual dos objetos estranhos pode causar ferimentos, uma vez que as lâminas podem mover-se como reacção à remoção dos objetos estranhos.
- (2) Evite guardar a bateria juntamente com outros objectos de metal como pregos, moedas, etc.
- (3) Não exponha a bateria a água ou chuva. Um curto-circuito na bateria pode criar uma grande carga eléctrica, sobreaquecimento, possíveis queimaduras e mesmo uma avaria.
6. Não guarde a ferramenta e a bateria em locais onde a temperatura possa atingir ou exceder 50°C (122°F).
7. Não incinere a bateria, nem mesmo se esta estiver irremediavelmente danificada ou completamente gasta. Pode explodir num incêndio.
8. Não a deixe cair e evite o choque com outros objectos.
9. Não utilize uma bateria danificada.
10. As baterias de íões de lítio contidas na ferramenta são sujeitas aos requisitos da DGL (Dangerous Goods Legislation - Legislação de bens perigosos).  
Para o transporte comercial, por exemplo, por terceiros ou agentes de expedição, têm de ser observados os requisitos referentes à embalagem e etiquetagem.  
Para preparação do artigo a ser expedido, é necessário consultar um perito em materiais perigosos. Tenha ainda em conta a possibilidade de existirem regulamentos nacionais mais detalhados. Coloque fita-cola ou tape os contactos abertos e embale a bateria de tal forma que não possa mover-se dentro da embalagem.

## GUARDE ESTAS INSTRUÇÕES.

### AVISO:

NÃO permita que conforto ou familiaridade com o produto (adquirido com o uso repetido) substitua a aderência estrita às regras de segurança da ferramenta. MÁ INTERPRETAÇÃO ou não seguimento das regras de segurança estabelecidas neste manual de instruções pode causar danos pessoais sérios.

## INSTRUÇÕES DE SEGURANÇA IMPORTANTES PARA A BATERIA

ENC007-12

1. Antes de utilizar a bateria, leias as instruções e chamadas de atenção sobre: (1) o carregador da bateria, (2) a bateria e (3) o produto que utiliza a bateria.
2. Não desmonte a bateria.
3. Se o tempo de utilização com a bateria se tornar demasiado curto, deve parar imediatamente. Se continuar, pode causar sobreaquecimento, incêndio e mesmo explosão.
4. Se o electrólito entrar em contacto com os olhos, enxágue-os com água limpa e consulte imediatamente um médico. Os riscos incluem perda de visão.
5. Não provoque um curto-circuito na bateria:
  - (1) Não deixe que quaisquer materiais condutores entrem em contacto com os terminais da bateria.

11. Siga os regulamentos locais relacionados com a eliminação da bateria.

12. Use as baterias apenas com os produtos especificados pela Makita. A instalação de baterias em produtos que não estão em conformidade pode resultar num incêndio, calor excessivo, explosão ou fuga de electrólito.

## GUARDE ESTAS INSTRUÇÕES.

### PRECAUÇÃO: Utilize apenas baterias genuínas da Makita.

A utilização de baterias não genuínas da Makita ou de baterias que foram alteradas, pode resultar no rebentamento da bateria provocando incêndios, ferimentos pessoais e danos. Além disso, anulará da garantia da Makita no que se refere à ferramenta e ao carregador Makita.

## Sugestões para o máximo de tempo de vida da bateria

1. Não espere que a bateria se gaste completamente para voltar a carregá-la. Pare a ferramenta e carregue a bateria sempre que detectar um baixo nível de energia.
2. Nunca volte a carregar uma bateria já completamente carregada. O carregamento excessivo diminui o tempo de vida das baterias.
3. Carregue a bateria em locais onde a temperatura se situe entre 10°C e 40°C (50°F - 104°F). Se a bateria estiver quente, deixe-a arrefecer antes de iniciar o carregamento.

4. **Carregue a bateria em caso de inatividade durante um longo período de tempo (mais de seis meses).**

## DESCRIÇÃO DO FUNCIONAMENTO

### PRECAUÇÃO:

- Certifique-se sempre de que a ferramenta está desligada e que a bateria foi removida antes de proceder a ajustes ou testar acessórios.

### Inserir ou retirar a bateria (Fig. 1)

#### PRECAUÇÃO:

- Desligue sempre a ferramenta antes de instalar ou retirar a bateria.
- **Segure bem a ferramenta e a bateria ao instalar ou retirar a bateria.** Se não segurar bem a ferramenta e a bateria, pode fazer com que caiam das mãos e provoquem danos na ferramenta e na bateria e ferimentos pessoais.

Para retirar a bateria, mantenha premido o botão na frente da bateria e puxe.

Para colocar a bateria, alinhe a respectiva saliência com a ranhura do compartimento e encaixe-a suavemente. Insira-a completamente até fixar em posição com um clique. Se ainda estiver visível o indicador vermelho na parte superior do botão, não estará bem encaixado.

#### PRECAUÇÃO:

- Instale sempre a bateria completamente, até deixar de ver o indicador vermelho. Caso contrário, pode cair da ferramenta e causar ferimentos em si, ou em alguém que esteja perto de si.
- Não instale a bateria forçosamente. Se não encaixar facilmente é porque não está correctamente posicionada.

#### NOTA:

- A ferramenta não funciona com apenas uma bateria.

## Sistema de protecção da ferramenta/bateria

A ferramenta está equipada com um sistema de protecção da ferramenta/bateria. Este sistema corta automaticamente a alimentação para prolongar a vida útil da ferramenta e bateria.

A ferramenta pára automaticamente durante o funcionamento quando a ferramenta ou bateria são colocadas numa das condições seguintes. Em algumas condições, os indicadores acendem.

### Protecção contra sobrecarga

Quando a ferramenta é utilizada de uma forma que faz com que consuma uma corrente invulgarmente alta, a ferramenta pára automaticamente sem quaisquer indicações. Nesta situação, desligue a ferramenta e pare a aplicação que causou a sobrecarga. De seguida, ligue a ferramenta para reiniciar.

### Protecção contra sobreaquecimento para a ferramenta/bateria

Quando a ferramenta/bateria está sobreaquecida, a ferramenta pára automaticamente sem quaisquer

indicações. A ferramenta não arranca mesmo se premir o gatilho. Nesta situação, deixe a ferramenta/bateria arrefecer antes de voltar a ligá-la.

#### NOTA:

A protecção contra o sobreaquecimento da bateria apenas funciona com uma bateria com uma marca de estrela. (Fig. 2)

### Protecção contra sobredescarga (Fig. 3)

Quando o nível de carga restante da bateria fica fraco, o indicador de bateria pisca no lado da bateria aplicável. Ao continuar com a utilização, a ferramenta pára e o indicador da bateria acende durante cerca de 10 segundos. Nesta situação, carregue a bateria.

### Posições de montagem da pega

#### PRECAUÇÃO:

- Certifique-se sempre de que a pega está bloqueada na posição pretendida, antes de utilizar. (Fig. 4)
- Dependendo das operações, pode definir o ângulo da pega numa posição a 45° ou 90° para a esquerda ou direita. Para rodar a pega, puxe o manípulo e rode a pega, conforme mostrado na figura. A pega é bloqueada na posição de 45°. Para rodar a pega para 90°, puxe novamente o manípulo e rode mais a pega.

### Acção do interruptor

#### PRECAUÇÃO:

- Antes de inserir a bateria na ferramenta, verifique se o gatilho está a funcionar correctamente e se regressa à posição "OFF" quando o solta. (Fig. 5)

Para sua segurança, esta ferramenta possui um sistema de ligação dupla. Para ligar a ferramenta, prima o botão de bloqueio e prima o gatilho A e B. Para desligar o interruptor, solte qualquer um dos gatilhos. A ferramenta só arranca ao premir ambos os gatilhos.

### Alteração da velocidade (Fig. 6)

Os cortes por minuto podem ser ajustados rodando o manípulo de ajuste. Isto pode ser feito mesmo com a ferramenta em funcionamento. O manípulo está marcado de 1 (velocidade mínima) a 6 (velocidade máxima). Consulte a tabela em baixo para a verificar a relação entre a definição dos números no manípulo de ajuste e os cortes por minuto.

| Número no manípulo de ajuste | Cortes por minuto (min <sup>-1</sup> ) |
|------------------------------|--|
| 6                            | 1.800                                  |
| 5                            | 1.750                                  |
| 4                            | 1.650                                  |
| 3                            | 1.500                                  |
| 2                            | 1.300                                  |
| 1                            | 1.000                                  |

011264

#### PRECAUÇÃO:

- O manípulo de ajuste da velocidade apenas pode ser rodado até 6 ou 1. Não o force para lá de 6 ou 1, caso contrário a função de regulação da velocidade poderá deixar de funcionar.

- Os cortes por minuto variam consoante as condições da bateria e das lâminas da tesoura.

## FUNCIONAMENTO

### ⚠️ PRECAUÇÃO:

- Tenha cuidado para não entrar em contacto, acidentalmente, com uma vedação de metal ou outros objectos duros ao aparar. A lâmina quebrará e poderá causar ferimentos graves.
- Estender-se com um aparador de cerca viva, especialmente de uma escada, é muito perigoso. Não trabalhe em cima de superfícies instáveis ou desequilibradas.

### ATENÇÃO:

**Não tente cortar ramos com um diâmetro superior a 10 mm com a ferramenta.** Corte ramos para 10 cm abaixo da altura de corte utilizando tesouras de poda antes de utilizar a ferramenta. (Fig. 7)

### ⚠️ PRECAUÇÃO:

- Não corte árvores mortas ou objectos duros semelhantes. Caso contrário poderá danificar a ferramenta. (Fig. 8)

Segure o aparador com ambas as mãos e pressione o gatilho A ou B e, de seguida, mova-o para a frente do seu corpo. (Fig. 9)

Como operação básica, incline as lâminas para a direcção da aparagem e mova-as calma e lentamente a uma velocidade de 3 - 4 segundos por metro. (Fig. 10) Para cortar o topo de uma sebe de igual forma, ajuda-se a atar um fio à altura da sebe desejada e se aparar ao longo dele, usando-o como linha de referência. (Fig. 11) Prender o apanha- aparas (acessório opcional) na ferramenta quando aparar a sebe a direito pode evitar que folhas cortadas sejam deitadas fora. (Fig. 12) Rode a pega para um manuseamento fácil antes da utilização. Consulte a secção intitulada "Posições de montagem da pega".

Para cortar um lado da sebe de forma igual, ajuda cortar do fundo para o topo. (Fig. 13)

Apare o buxo e rododendro da base para o topo para um aspecto agradável e um bom trabalho.

## Instalar ou remover o apanha- aparas (acessório opcional)

### ⚠️ PRECAUÇÃO:

- Certifique-se sempre de que a ferramenta está desligada e a bateria removida antes de instalar ou retirar o apanha- aparas.

### NOTA:

- Ao substituir o apanha- aparas, use sempre luvas para que as mãos e face não entrem em contacto directo com a lâmina. Caso contrário, poderá causar ferimentos.
- Certifique-se de que retira a cobertura da lâmina antes de instalar o apanha- aparas.
- O apanha- aparas recebe as folhas cortadas e alivia a recolha das folhas deitadas fora. Pode ser instalado de qualquer dos lados. (Fig. 14)

Pressione o apanha- aparas para as lâminas da tesoura para que as suas fendas se sobreponham às porcas nas lâminas da tesoura. A esta altura, certifique-se de que o

apanha- aparas não entra em contacto com o dispositivo receptor de ramos no topo das lâminas da tesoura.

### (Fig. 15)

A esta altura, o apanha- aparas precisa de ser instalado para que os seus ganchos encaixem nas ranhuras na unidade da lâmina da tesoura. (Fig. 16)

Para remover o apanha- aparas, pressione a sua alavanca em ambos os lados para que os ganchos sejam desbloqueados. (Fig. 17)

### ⚠️ PRECAUÇÃO:

- A cobertura da lâmina não pode ser instalada na ferramenta com o apanha- aparas a ser instalado. Antes de transportar ou armazenar, desinstale o apanha- aparas e instale a cobertura da lâmina para evitar a exposição da lâmina.

### NOTA:

- Verifique o apanha- aparas para uma instalação segura antes da utilização.
- Nunca tente desinstalar o apanha- aparas através de força excessiva com os seus ganchos bloqueados nas ranhuras da unidade da lâmina. Se usar força excessiva poderá danificá-lo.

## MANUTENÇÃO

### ⚠️ PRECAUÇÃO:

- Certifique-se sempre de que a ferramenta está desligada e a bateria removida antes de efectuar operações de inspecção ou de manutenção.
- Nunca utilize gasolina, benzina, diluente, álcool ou semelhante. Podem formar-se descolorações, deformações ou fissuras.

## Limpar a ferramenta

Limpe a ferramenta retirando o pó com um pano seco ou embebido em sabão.

## Manutenção da lâmina

Unte a lâmina antes e uma vez por hora durante a operação usando óleo da máquina ou semelhantes.

### NOTA:

- Antes de untar a lâmina, retire o apanha- aparas. Depois do funcionamento, retire o pó de ambos os lados com uma escova de arame, limpe-a com um pano e depois aplique óleo de viscosidade baixa como óleo da máquina, etc. e óleo lubrificante do tipo spray.

### ⚠️ PRECAUÇÃO:

- Não lave as lâminas com água. Se o fizer, a ferramenta poderá ficar enferrujada ou danificada.

### AVISO:

**Se as peças que não as lâminas da tesoura, tais como a manivela, estiverem gastas, solicite a substituição de peças ou reparação ao centro de assistência autorizado da Makita.**

## Remover ou instalar a lâmina da tesoura

### ⚠️ PRECAUÇÃO:

- Antes de retirar ou instalar a lâmina da tesoura, certifique-se sempre de que a ferramenta está desligada e a bateria removida.

- Ao substituir a lâmina da tesoura, use sempre luvas sem remover a cobertura da lâmina para que as mãos e face não entrem em contacto directo com a lâmina. Caso contrário, poderá causar ferimentos.

**NOTA:**

- Não limpe a gordura da engrenagem e da manivela. Caso contrário poderá danificar a ferramenta.
- Para uma forma específica de remover e instalar lâminas da tesoura, consulte o inverso de uma embalagem para lâminas da tesoura de acessório.

## Remover as lâminas da tesoura

Inverta a ferramenta e desaperte quatro parafusos. (Fig. 18)

**NOTA:**

- Tenha cuidado para não sujar as suas mãos porque é aplicada gordura na área de condução da lâmina da tesoura.

Retire a tampa de baixo. (Fig. 19)

Remova a placa. (Fig. 20)

Defina a manivela no ângulo conforme ilustrado na figura com uma chave de fendas. (Fig. 21)

Retire dois parafusos das lâminas da tesoura e a unidade da lâmina da tesoura será retirada. (Fig. 22)

**⚠ PRECAUÇÃO:**

- Reponha a engrenagem na posição inicial, tal como estava instalada, caso seja retirada por engano.

## Instalar as lâminas da tesoura

Prepare 4 parafusos removidos (Para a tampa de baixo), 2 parafusos (Para a lâmina da tesoura), placa, tampa de baixo e novas lâminas da tesoura.

Ajuste a posição da manivela conforme ilustrado na figura. Neste ponto, aplique alguma gordura fornecida com novas lâminas da tesoura para a periferia da manivela. (Fig. 23)

Sobreponha o orifício oval na lâmina superior ao da inferior. (Fig. 24)

Retire a cobertura da lâmina das lâminas da tesoura antigas e instale-a nas novas para um fácil manuseamento durante a substituição das lâminas. (Fig. 25)

Coloque as novas lâminas da tesoura na ferramenta para que os orifícios ovais nas lâminas da tesoura se instalem na manivela. Sobreponha os orifícios nas lâminas da tesoura com as roscas interiores na ferramenta e depois fixe-os com dois parafusos. (Fig. 26)

Verifique se a manivela roda bem com uma chave de fendas. (Fig. 27)

Instale a placa, tampa de baixo na ferramenta. Aperte o parafuso com força.

**NOTA:**

- Não há distinção entre a parte superior e inferior da placa.

Retire a cobertura da lâmina e depois ligue a ferramenta para verificar se funciona devidamente.

**NOTA:**

- Quando as lâminas da tesoura não funcionam devidamente, a instalação entre as lâminas e a manivela é fraca. Volte a fazer do início.

## Substituir as escovas de carvão (Fig. 28)

Remova e verifique regularmente as escovas de carvão.

Substitua-as quando o desgaste atingir a marca limite.

Mantenha-as limpas para poderem deslizar no porta-escovas. Substitua as duas ao mesmo tempo. Utilize

unicamente escovas de carvão idênticas. (Fig. 29)

Insira a ponta de uma chave de fendas no entalhe da ferramenta e retire a cobertura da tampa do porta-escovas, levantando-a. (Fig. 30)

Utilize uma chave de fendas para remover as tampas do porta-escovas. Retire as escovas usadas, coloque umas novas e fixe as tampas do porta-escovas.

Volte a instalar a cobertura da tampa do porta-escovas na ferramenta.

## Armazenamento

O orifício do gancho no fundo da cobertura da lâmina é conveniente para pendurar a ferramenta num prego ou parafuso na parede. (Fig. 31)

Retire a bateria e coloque a cobertura da lâmina nas lâminas da tesoura para que as lâminas não fiquem expostas. Mantenha a ferramenta fora do alcance das crianças, com cuidado.

Guarde a ferramenta num local que não esteja exposto a água e chuva.

Para manter os níveis de SEGURANÇA e FIABILIDADE definidos para este produto, as reparações e os procedimentos de manutenção ou ajustes devem ser executados por centros de assistência Makita autorizados, utilizando sempre peças de substituição Makita.

## ACESSÓRIOS OPCIONAIS

**⚠ PRECAUÇÃO:**

- Os seguintes acessórios ou extensões são os recomendados para utilizar com a ferramenta Makita especificada neste manual. A utilização de quaisquer outros acessórios poderá representar um risco de ferimento para as pessoas. Apenas utilize o acessório para o fim indicado.

Se precisar de informações adicionais relativas aos acessórios, contacte o centro local de assistência Makita.

- Cobertura da lâmina
- Montagem da lâmina da tesoura
- Bateria e carregador Makita genuínos
- Apanha-apanas

**NOTA:**

- Alguns itens na lista podem estar incluídos no pacote de ferramentas como acessórios de série. Podem diferir de país para país.

## DANSK (Originalvejledning)

### Forklaring til generel oversigt

- |                             |   |                                |
|-----------------------------|---|--------------------------------|
| 1. Rød indikator            | 15. Den hækkeoverflade der skal klippes           | 27. Sværdhylster               |
| 2. Knap                     | 16. Hold sværdet på skrå                          | 28. Skruer                     |
| 3. Batteripakke             | 17. Tryk  | 29. Underdæksel                |
| 4. Stjernemærkning          | 18. Flisopsamler                                  | 30. Plade                      |
| 5. Batteriindikator         | 19. Møtrik  | 31. Krumtap                    |
| 6. Knap                     | 20. Sværd   | 32. Ovalt hul i sværdet        |
| 7. Hus                      | 21. Grenfanger                                    | 33. Slidgrænse                 |
| 8. Afbryderkontakt B        | 22. Kroge   | 34. Holderdæksel               |
| 9. Afbryderkontakt A        | 23. Placer krogene i rillerne                     | 35. Skruetrækker med lige kærv |
| 10. Sikringsknap            | 24. Riller  | 36. Kulholderdæksel            |
| 11. Drejeknap til justering | 25. Tryk på udløsningsmekanismerne på begge sider |                                |
| 12. Klippehøjde             | 26. Frigør krogene                                |                                |
| 13. 10 cm                   |   |                                |
| 14. Klipperetning           |   |                                |

## SPECIFIKATIONER

|                                     |                |              |
|-------------------------------------|----------------|--------------|
| Model                               | DUH551         | DUH651       |
| Sværdlængde                         | 550 mm         | 650 mm       |
| Slag pr. minut (min <sup>-1</sup> ) | 1.000 - 1.800  |              |
| Længde i alt                        | 1.065 mm       | 1.135 mm     |
| Nominel spænding                    | 36 V jævnstrøm |              |
| Nettovægt                           | 4,6 - 5,3 kg   | 4,7 - 5,5 kg |

- På grund af vores løbende forsknings- og udviklingsprogram kan specifikationerne heri ændres uden forudgående varsel.
- Specifikationerne kan variere fra land til land.
- Vægten kan muligvis afvige afhængigt af tilbehøret, inklusive batteripakken. Den letteste og tungeste kombination, ifølge EPTA-procedure 01/2014, er vist i tabellen.

## Anvendelig batteripakke og oplader

|              |   |
|--------------|---|
| Batteripakke | BL1815N/BL1820/BL1820B/BL1830/BL1830B/BL1840/BL1840B/BL1850/BL1850B/BL1860B |
| Oplader      | DC18RC/DC18RD/DC18RE/DC18SD/DC18SE/DC18SF                                   |

- Nogle af de ovennævnte batteripakker og opladere er muligvis ikke til rådighed, afhængigt af den region du bor i.

### ⚠ ADVARSEL:

- **Brug kun de ovennævnte batteripakker og opladere.** Brug af nogen andre batteripakker og opladere kan muligvis forårsage personskade og/eller brand.

| Støj   | Lydtryksniveau |                          | Lydeffektniveau       |                          | Gældende standard eller direktiv |
|--------|----------------|--------------------------|-----------------------|--------------------------|----------------------------------|
|        | Model          | L <sub>PA</sub> (dB (A)) | Usikkerhed K (dB (A)) | L <sub>PA</sub> (dB (A)) |                                  |
| DUH551 | 81,5           | 2,1                      | 91                    | 1,5                      | 2000/14/EF                       |
| DUH651 | 82             | 1,4                      | 91,1                  | 1,5                      |                                  |

- Bær høreværn.

| Vibration | Model | Opgivet udledning (m/s <sup>2</sup> ) | Usikkerhed K (m/s <sup>2</sup> ) | Gældende standard eller direktiv |
|-----------|-------|---------------------------------------|----------------------------------|----------------------------------|
|           |       |                                       |                                  |                                  |

EN901-1

- Den opgivne vibrationsemissionsværdi er målt i overensstemmelse med standardtestmetoden og kan bruges til at sammenligne et værktøj med et andet.
- Den opgivne vibrationsemissionsværdi kan muligvis også bruges til en indledende eksponeringsvurdering.

## ADVARSEL:

- Vibrationsemissionen under den faktiske brug af maskinen kan afvige fra den opgivne emissionsværdi afhængigt af den måde, maskinen anvendes på.
- Sørg for at bestemme sikkerhedsforanstaltninger for beskyttelse af operatøren, som er baseret på en eksponeringsvurdering for brug under faktiske forhold (hvor alle anvendelsescyklussens dele inddrages, som f.eks. antal gange maskinen slukkes, og når den kører i tomgang ud over triggertiden).

## Symbol

END013-5

Her vises de symboler, der benyttes til udstyret. Vær sikker på, at du forstår deres betydning, før du bruger udstyret.



..... Læs brugsanvisningen.



..... Udsæt ikke maskinen for fugt.



..... Kun for EU-lande

Elektrisk udstyr eller batteripakke må ikke bortskaffes sammen med almindeligt affald!

I henhold til det europæiske direktiv om bortskaffelse af elektriske og elektroniske produkter og om batterier og akkumulatører og bortskaffelse af batterier og akkumulatører og deres implementering under gældende national lovgivning skal brugt elektrisk udstyr, batterier og batteripakke(r), der har udtjent deres levetid, indsamles separat og returneres til miljøgodkendt genindvinding.

## Tilsigtet anvendelse

ENE014-1

Maskinen er beregnet til klipning af hække.


## EF-overensstemmelseserklæring

### Kun for europæiske lande

EF-overensstemmelseserklæringen er inkluderet som appendiks A til denne betjeningsvejledning.

## Generelle sikkerhedsadvarsler for maskiner

GEA010-1

 **ADVARSEL** Læs alle sikkerhedsadvarsler og alle instruktioner. Hvis De ikke følger alle advarsler og instruktioner, kan det medføre elektrisk stød, brand og/eller alvorlig personskade.

## Gem alle advarsler og instruktioner til senere reference.

## Sikkerhedsadvarsler for akku hæktrimmer

GEB062-7

1. Hold alle kropsdele væk fra den skærende kling. Undlad at fjerne afskåret materiale eller at holde materiale, der skal skæres, når klingerne bevæger sig. Klingerne bevæger sig, efter at der er slukket. Sørg for, at der er slukket på kontakten, når du

fjerner fastklemt materiale. Ved brug af hæktrimmeren kan ét øjeblik uopmærksomhed medføre alvorlig personskade.

2. **Bær hæktrimmeren i håndtaget med den skærende kling stoppet. Ved transport eller opbevaring af hæktrimmeren skal dækslet til den skærende enhed altid sættes på.** Korrekt håndtering af hæktrimmeren reducerer den mulige personskade fra de skærende klinger.
3. **Hold altid kun i maskinen i de isolerede grebflader, da den skærende kling kan komme i berøring med skjulte ledninger.** Skærende klinger, der kommer i kontakt med en strømførende ledning, kan gøre blottede metaldele på maskinen strømførende og udgøre en risiko for, at operatøren får elektrisk stød.
4. **FARE - Hold hænderne på afstand af kling.** Kontakt med klingens vil medføre alvorlig personskade.
5. **Brug ikke hæktrimmeren i regnvejlr eller under våde eller meget fugtige forhold.** Den elektriske motor er ikke vandtæt.
6. **Førstegangsbrugere bør få en erfaren bruger af hæktrimmere til at vise dem, hvordan man bruger trimmeren.**
7. **Hæktrimmeren må ikke anvendes af børn eller unge på under 18 år.** Unge på over 16 år er muligvis undtaget fra denne begrænsning, hvis de er under oplæring under opsyn af en ekspert.
8. **Brug kun hæktrimmeren, hvis du er i god fysisk form.** Hvis du er træt, vil din opmærksomhed være reduceret. Vær særligt opmærksom sidst på arbejdsdagen. Udfør alt arbejde roligt og omhyggeligt. Brugeren er ansvarlig for enhver skade på tøj/repert.
9. **Brug aldrig trimmeren under indflydelse af alkohol, narkotika eller medicin.**
10. **Arbejdshandsker af solidt læder er en del af det grundlæggende udstyr til hæktrimmeren og skal altid bæres, når du arbejder med den. Bær også solide sko med skridsikre såler.**
11. **Før du påbegynder arbejdet, skal du kontrollere, at trimmeren er i god og korrekt arbejdstilstand. Kontroller, at beskyttelsesskærme er monteret korrekt. Hæktrimmeren må ikke anvendes, medmindre den er fuldt samlet.**
12. **Sørg for at have solidt fodfæste, før du starter brugen.**
13. **Hold godt fast i maskinen, når du bruger maskinen.**
14. **Betjen ikke maskinen unødigt uden belastning.**
15. **Sluk med det samme for motoren, og fjern akkuen, hvis klipperen kommer i kontakt med et hegn eller en anden hård genstand. Kontroller klipperen for beskadigelse, og reparer den med det samme, hvis den er beskadiget.**
16. **Før du kontrollerer klipperen, udbedr fejl eller fjerner materiale, der sidder fast i klipperen, skal du altid slukke for trimmeren og fjerne akkuen.**
17. **Sluk for trimmeren, og fjern akkuen, før du udfører vedligeholdelsesarbejde.**
18. **Når hæktrimmeren flyttes til et andet sted, herunder under arbejde, skal du altid fjerne akkuen og sætte klingedækslet på de skærende klinger. Du må aldrig bære eller transportere**

- trimmeren, mens klipperen kører. Tag aldrig fat i klipperen med hænderne.
19. Rengør hæktrimmeren og især klipperen efter brug, og før trimmeren lægges til opbevaring i længere tid. Smør klipperen let, og sæt dækslet på. Det dæksel, der følger med enheden, kan hænges på væggen, hvilket er en sikker og praktisk måde at opbevare hæktrimmeren på.
  20. Opbevar hæktrimmeren med dækslet på i et tørt værelse. Hold den utilgængelig for børn. Opbevar aldrig trimmeren udendørs.
  21. Ret aldrig klingerne mod dig selv eller andre.
  22. Hvis klingerne holder op med at bevæge sig under brugen på grund af fremmedlegemer, der sidder fast mellem klingerne, skal du slukke for maskinen og fjerne akkuen og derefter fjerne fremmedlegemerne ved hjælp af redskaber som f.eks. en tang. Hvis du fjerner fremmedlegemerne i hånden, kan det medføre personskaade, da klingerne kan bevæge sig som reaktion på fjernelsen af fremmedlegemerne.

## GEM DENNE BRUGSANVISNING.

### ⚠ ADVARSEL:

LAD IKKE bekvemmelighed eller kendskab til produktet (opnået gennem gentagen brug) forhindre, at sikkerhedsforskrifterne for produktet nøje overholdes. MISBRUG eller forsømmelse af at følge de i denne brugsvejledning givne sikkerhedsforskrifter kan føre til, at De kommer alvorligt til skade.

## VIGTIGE SIKKERHEDSINSTRUKTIONER FOR AKKUEN

ENC007-12

1. Før brugen af batteripakken skal du læse alle instruktioner og advarsler på (1) batteriopladeren, (2) batteriet og (3) det produkt, som batteriet anvendes i.
2. Skil ikke batteripakken ad.
3. Hvis driftstiden bliver betydeligt kortere, skal du straks ophøre med brugen. Brug kan medføre risiko for overophedning, risiko for forbrændinger eller endog eksplosion.
4. Hvis du får elektrolyt i øjnene, skal du med det samme rense øjnene med rent vand og søge læge. Dette kan medføre tab af synet.
5. Kortslut ikke batteripakken:
  - (1) Undgå at røre ved terminalerne med ledende materiale.
  - (2) Undgå at opbevare batteripakken i en beholder med andre metalgenstande som f.eks. søm, mønter osv.
  - (3) Udsæt ikke batteripakken for vand eller regn. Hvis batteriet kortsluttes, kan det medføre voldsom strøm, overophedning, mulige forbrændinger og endog nedbrud.
6. Undgå at opbevare værktøjet og batteripakken på steder, hvor temperaturen kan komme op på eller overstige 50°C.

7. Sæt ikke ild til batteripakken, selvom den er alvorligt beskadiget eller helt udtjent. Batteripakken kan eksplodere ved brand.
8. Undgå at tabe eller slå på batteriet.
9. Undlad brug af et beskadiget batteri.
10. De indbyggede litium-ion-batterier er underlagt lovkrav vedrørende farligt gods. Ved kommerciel transport, f.eks. af tredjeparts transportselskaber, skal særlige krav til forpakning og mærkning overholdes. Ved forberedelse af udstyret til forsendelse skal du kontakte en ekspert i farligt gods. Overhold også eventuel mere detaljeret national lovgivning. Tape eller tildæk åbne kontakter, og pak batteriet på en måde, så det ikke kan flytte sig rundt i pakningen.
11. Følg de lokale bestemmelser med hensyn til bortskaffelse af batteri.
12. Brug kun batterierne med de produkter, som er specificeret af Makita. Monteres batterierne i produkter, som ikke er kompatible, kan det muligvis resultere i brand, kraftig varmeudvikling, eksplosion eller lækage af elektrolyt.

## GEM DISSE INSTRUKTIONER.

### ⚠ FORSIGTIG: Brug kun originale batterier fra Makita.

Brug af uoriginale Makita-batterier, eller batterier som er blevet ændret, kan muligvis medføre brud på batteriet, hvilket kan forårsage brand, personskaade eller beskadigelse. Det ugyldiggør også Makita-garantien for Makita-maskinen og opladeren.

### Tips til, hvordan du forlænger batteriets levetid

1. Oplad batteripakken, før den bliver helt afladet. Ophør med at bruge værktøjet, og udskift batteripakken, hvis strømmen til værktøjet aftager.
2. Oplad aldrig en fuldt opladet batteripakke. Overopladning forkorter batteriets levetid.
3. Oplad batteripakken ved stuetemperatur på 10°C - 40°C. Lad batteripakken køle ned før den oplades, hvis den er varm.
4. Oplad batteripakken, hvis du ikke skal anvende den i en længere periode (mere end seks måneder).

## FUNKTIONSBESKRIVELSE

### ⚠ FORSIGTIG:

- Sørg altid for, at maskinen er slukket, og at batteripakken er taget ud, før du justerer maskinen eller kontrollerer dens funktion.

### Montering eller afmontering af batteripakken (Fig. 1)

### ⚠ FORSIGTIG:

- Sluk altid for maskinen inden montering eller afmontering af batteripakken.
- Hold godt fast i maskinen og batteripakken, når du monterer eller afmonterer batteripakken. Hvis maskinen og batteripakken ikke holdes ordentligt fast,



kan de glide ud af hænderne og resultere i skader på maskinen og batteripakken samt personskaade.

Afmonter batteripakken ved at holde ned på knappen foran på batteripakken og skubbe den af maskinen.

Ved montering af batteripakken justeres tungen på batteripakken med rillen i huset, hvorefter pakken skubbes ind på plads. Sæt den hele vejen ind, indtil den låses på plads med et lille klik. Hvis den røde indikator øverst på knappen er synlig, er batteripakken ikke låst helt fast.

#### **FORSIGTIG:**

- Sæt altid batteripakken helt ind, indtil den røde indikator ikke længere er synlig. Ellers kan den falde ud af maskinen og skade dig eller andre personer i nærheden.
- Anvend ikke kræfter ved monteringen af batteripakken. Hvis den ikke glider let ind, er den ikke indsat korrekt.

#### **BEMÆRK:**

- Maskinen fungerer ikke med kun en batteripakke.

## Maskin-/batteribeskyttelsessystem

Maskinen er udstyret med et maskin-/batteribeskyttelsessystem. Dette system slukker automatisk for strømmen til motoren for at forlænge maskin- og batterilevetiden.

Maskinen stopper automatisk under anvendelsen, hvis maskinen eller batteriet udsættes for en af de følgende situationer. I visse situationer lyser indikatorerne.

## Overbelastningsbeskyttelse

Når maskinen anvendes på en måde, der får den til at trække unormalt meget strøm, standser maskinen automatisk uden nogen indikation. I denne situation skal du slukke for maskinen og standse den anvendelse, som gjorde maskinen overbelastet. Tænd derefter på maskinen for starte igen.

## Overophedningsbeskyttelse for maskine/ batteri

Når maskinen/batteriet overophedes, standser maskinen automatisk uden nogen indikation. Maskinen starter ikke, selvom du trykker på afbryderkontakten. I denne situation skal du lade maskinen/batteriet køle af, inden du tænder for maskinen igen.

#### **BEMÆRK:**

Batterioverophedningsbeskyttelsen fungerer kun med en batteripakke med en stjernemærkning. (Fig. 2)

## Overafladningsbeskyttelse (Fig. 3)

Når den resterende batterikapacitet bliver lav, blinker batteriindikatoren på den pågældende batteriside. Ved yderligere brug standser maskinen, og batteriindikatoren lyser i ca. 10 sekunder. Udskift batteripakken i denne situation.

## Positioner for håndtagsmontering

#### **FORSIGTIG:**

- Sørg altid for, at håndtaget er låst fast i den ønskede position før arbejdet. (Fig. 4)

Afhængigt af betjeningerne kan du indstille håndtagets vinkel på enten 45°- eller 90°-position til venstre eller

højre. For at dreje håndtaget skal du trække i knappen og dreje håndtaget som vist på figuren. Håndtaget låses i 45°-position. For at dreje håndtaget til 90°-position skal du trække i knappen igen og dreje håndtaget mere.

## Betjening af kontakt

#### **FORSIGTIG:**

- Før batteripakken sættes ind i maskinen, skal du altid kontrollere, at afbryderkontakten reagerer korrekt og vender tilbage til "OFF"-positionen, når du slipper den. (Fig. 5)

Denne maskine er af hensyn til din sikkerhed udstyret med et dobbelt kontaktsystem. For at tænde for maskinen skal du trykke på sikringsknappen og trykke på afbryderkontakten A og B. For at slukke for kontakten skal du slippe én af afbryderkontakterne. Maskinen starter kun, når begge afbryderkontakter trykkes ind.

## Ændring af hastigheden (Fig. 6)

Antallet af slag pr. minut kan justeres ved at dreje med drejeknappen. Dette kan gøres, selvom maskinen kører. Drejeknappen har mærker fra 1 (laveste hastighed) til 6 (fuld hastighed).

Se i tabellen nedenfor for sammenhængen mellem talindstillingerne på drejeknappen og antallet af slag pr. minut.

| Nummer på drejeknappen til justering | Slag pr. minut (min <sup>-1</sup> ) |
|--------------------------------------|-------------------------------------|
| 6                                    | 1.800                               |
| 5                                    | 1.750                               |
| 4                                    | 1.650                               |
| 3                                    | 1.500                               |
| 2                                    | 1.300                               |
| 1                                    | 1.000                               |

011264

#### **FORSIGTIG:**

- Drejeknappen til hastighedsjustering kan kun drejes op til 6 og tilbage til 1. Prøv ikke at tvinge den forbi 6 eller 1, da hastighedsjusteringen ellers kan gå i stykker.
- Antallet af slag pr. minut kan variere afhængigt af forholdene for batteripakken og sværdet.

## BETJENING

#### **FORSIGTIG:**

- Sørg for, at du ikke utilsigtet kommer i kontakt med metalhegn eller andre hårde genstande under klipning. Sværdet kan muligvis brække og forårsage alvorlig personskaade.
- Det er meget farligt at strække sig meget langt frem med en hækkeklipper, især fra en stige. Udfør ikke arbejde stående på noget der rokker eller ikke står ordentligt fast.

#### **BEMÆRK:**

**Forsøg ikke at klippe grene der er tykkere end 10 mm i diameter med maskinen.** Klip grene ned til 10 cm lavere end klippehøjden vha. en grensaks inden anvendelse af maskinen. (Fig. 7)

### **FORSIGTIG:**

- Klip ikke i døde træer eller lignende hårde genstande. Hvis du gør det, kan det muligvis beskadige maskinen. (Fig. 8)

Hold hækkeklipperen med begge hænder, tryk ind på afbryderkontakt A eller B og før derefter hækkeklipperen foran kroppen. (Fig. 9)

Grundlæggende bør du holde sværdet på skrå vendt mod klipperetningen og stille og roligt føre hækkeklipperen frem med en hastighed på 3 - 4 sekunder pr. meter. (Fig. 10)

Når du skal klippe toppen på hækken lige, hjælper det at spænde en snor ud i den ønskede højde og klippe langs med den, ved at bruge den som en referencelinje. (Fig. 11)

Hvis du monterer flisopsamleren (ekstratilbehør) på maskinen, når du klipper hækken lige, kan du undgå at afskærne blade bliver kastet væk. (Fig. 12)

Inden arbejdet drejes håndtaget, så det er nemt at håndtere maskinen. Se afsnittet "Positioner for håndtagsmontering".

For at klippe hækken side lige hjælper det at klippe fra bunden af og op. (Fig. 13)

Når buksbom eller rododendron klippes nedefra og op mod toppen, får du det bedste resultat.

## Montering og afmontering af flisopsamleren (ekstratilbehør)

### **FORSIGTIG:**

- Sørg altid for, at maskinen er slukket, og batteripakken er taget ud, før du monterer eller afmonterer flisopsamleren.

### **BEMÆRK:**

- Når du monterer/afmonterer flisopsamleren, skal du altid bære handsker, sådan at hænder og ansigt ikke kommer i direkte kontakt med sværdet. Ellers kan det medføre personskader.
- Sørg altid for at fjerne sværdhylsteret inden montering af flisopsamleren.
- Flisopsamleren modtager de afskærne blade, og gør det lettere at opsamle bortkastede blade. Den kan monteres på begge sider af maskinen. (Fig. 14)

Tryk flisopsamleren ned på sværdet så dens sprækker overlapper med møtrikkerne på sværdet. Du skal her kontrollere, at flisopsamleren ikke rører ved grenfangeren, der er placeret yderst på sværdet. (Fig. 15)

Flisopsamleren skal monteres sådan, at dens kroge passer ind i rillerne på sværdenheden. (Fig. 16)

For at afmontere flisopsamleren skal du trykke på udløsningsmekanismen på begge sider, sådan at krogene låses op. (Fig. 17)

### **FORSIGTIG:**

- Sværdhylsteret kan ikke monteres på maskinen, mens flisopsamleren er monteret. Inden du bærer på eller opbevarer hækkeklipperen, skal du afmontere flisopsamleren og sætte sværdhylsteret på for at undgå kontakt med sværdet.

### **BEMÆRK:**

- Efterse flisopsamleren inden brug for at sikre ordentlig fastgørelse.

- Forsøg aldrig at afmontere flisopsamleren ved brug af kraft, mens krogene er låst ind i sværdenhedens riller. Brug af overdreven kraft kan beskadige maskinen.

## VEDLIGEHOVELSE

### **FORSIGTIG:**

- Sørg altid for, at maskinen er slukket, og at batteripakken er taget ud, før du forsøger at udføre inspektion eller vedligeholdelse.
- Brug aldrig benzin, benzen, fortynder, alkohol eller lignende. Det kan muligvis medføre misfarvning, deformation eller revner.

## Rengøring af maskinen

Rengør maskinen ved at tørre den af med en tør klud, eller en der er dyppet i sæbevand.

## Vedligeholdelse af sværdet

Smør sværdet inden brug, samt én gang i timen under brug med maskinolie eller lignende.

### **BEMÆRK:**

- Afmonter flisopsamleren inden du smører sværdet. Efter udført arbejde skal du fjerne støv fra begge sider af sværdet med en stålborste, tørre det af med en klud og derefter påføre rigeligt olie med lav viskositet, som fx maskinolie osv., eller smøreolie på spraydåse.

### **FORSIGTIG:**

- Vask ikke sværdet i vand. Det muligvis forårsage rust eller beskadige maskinen.

### **BEMÆRK:**

**Hvis andre dele end sværdet, som f.eks. krumtappen er slidt ned, skal du anmode autoriserede Makita-servicecentre om udskiftning af dele eller reparation.**

## Afmontering eller montering af sværd

### **FORSIGTIG:**

- Sørg altid for, at maskinen er slukket, og batteripakken er taget ud, før du afmonterer eller monterer sværd.
- Når du udskifter sværdet, skal du altid bære handsker og undgå at fjerne sværdhylsteret, sådan at hænder og ansigt ikke kommer i direkte kontakt med sværdet. Ellers kan det medføre personskader.

### **BEMÆRK:**

- Tør ikke fedtet af tandhjulet eller krumtappen. Hvis du gør det, kan det muligvis beskadige maskinen.
- Se bagsiden på indpakningen af ekstrarsværd angående en særlig metode til afmontering og montering af sværdet.

## Afmontering af sværdet

Vend maskinen på hovedet og løsn de fire skruer. (Fig. 18)

### **BEMÆRK:**

- Pas på dine hænder ikke navnes til eftersom der er smurt med fedt i sværdets bevægelsesområde.

Fjern underdækslet. (Fig. 19)

Fjern pladen. (Fig. 20)

Indstil krumtappen på den vinkel som er vist på figuren med en skruetrækker med lige kærv. (Fig. 21)

Fjern to skruer fra sværdet hvorefter sværdenheden kan tages ud. (Fig. 22)

#### **FORSIGTIG:**

- Sæt gearet tilbage på dets oprindelige position, på samme måde som det var monteret, hvis det ved en fejltagelse skulle tages af.

### **Montering af sværdet**

Hav de 4 aftagne skruer (til underdækslet), 2 skruer (til sværdet), pladen, underdækslet og det nye sværd parat. Juster positionen af krumtappen som vist på figuren. Put herefter noget af det fedtstof, der følger med det nye sværd, rundt i kanten på krumtappen. (Fig. 23)

Overlap det ovale hul i det øverste sværd med det i det nederste sværd. (Fig. 24)

Tag sværdhylsteret fra det gamle sværd frem og placer det på de nye, så du nemt kan håndtere sværdet under udskiftningen. (Fig. 25)

Placer det nye sværd på maskinen sådan at de ovale huller i sværdene passer på krumtappen. Overlap hullerne i sværdene med skruenhullerne i maskinen og fastgør dem derefter med to skruer. (Fig. 26)

Kontroller, at krumtappen nemt kan dreje med en skruetrækker med lige kær. (Fig. 27)

Monter pladen og underdækslet på maskinen. Stram skruen ordentligt til.

#### **BEMÆRK:**

- Der er forskel på op og ned på pladen. Tag sværdhylsteret af og tænd derefter for maskinen for at kontrollere, om sværdet bevæger sig korrekt.

#### **BEMÆRK:**

- Hvis sværdene ikke kører ordentligt, er det fordi, at sværdene og krumtappen ikke er tilpasset ordentligt. Gør monteringen om igen.

### **Udskiftning af kulbørsterne (Fig. 28)**

Tag regelmæssigt kulbørsterne af, og efterse dem. Udskift dem, når de er nedslidte til slidgrænsen. Hold kulbørsterne rene og frie til at glide i holderne. Begge kulbørster skal udskiftes samtidig. Brug altid kun identiske kulbørster. (Fig. 29)

Sæt spidsen af skruetrækkeren med lige kær ind i indhakked på maskinen, og fjern holderdækpladen ved at løfte op i den. (Fig. 30)

Brug en skruetrækker med lige kær til at fjerne kulholderdækslerne. Tag de udslidte kulbørster ud, monter de nye, og fastgør kulholderdækslerne. Montér holderdækpladen på maskinen igen.

### **Opbevaring**

Hullet i bunden af sværdhylsteret er praktisk, når maskinen hænges på på et søm eller en skrue på væggen. (Fig. 31)

Fjern batteripakken og placer sværdhylsteret over sværdet så sværdet ikke er udkækket. Sørg for at opbevare maskinen uden for børns rækkevidde. Opbevar maskinen på et sted hvor den ikke udsættes for vand og regn.

For at holde produktet SIKKERT og PÁLIDELIGT skal reparationer samt al anden vedligeholdelse eller justering udføres af autoriserede Makita-servicecentre, og der skal altid benyttes Makita-reservedele.

## **EKSTRAUDSTYR**

#### **FORSIGTIG:**

- Dette tilbehør eller ekstraudstyr anbefales til brug med det Makita-værktøj, som er beskrevet i denne brugsanvisning. Brug af andet tilbehør eller ekstraudstyr kan forårsage personskade. Brug kun tilbehør eller ekstraudstyr til det formål, det er beregnet til.

Henvend dig til dit lokale Makita-servicecenter, hvis du har brug for hjælp eller yderligere oplysninger vedrørende tilbehøret.

- Sværdhylster
- Sværdmontering
- Originalt batteri og oplader fra Makita
- Flisopsamler

#### **BEMÆRK:**

- Visse dele på listen er muligvis indeholdt maskinindepakningen som standardtilbehør. De kan variere fra land til land.

## ΕΛΛΗΝΙΚΑ (Πρωτογενείς οδηγίες)

### Περιγραφή γενικής όψης

- |                         |   |  |
|-------------------------|---|--|
| 1. Κόκκινη ένδειξη      | 14. Διεύθυνση κλαδέματος                            | 25. Πιέστε τους μοχλούς και στις δυο πλευρές |
| 2. Κουμπί               | 15. Επιφάνεια του φράκτη που πρόκειται να κλαδευτεί | 26. Απασφαλίστε τα άγκιστρα                  |
| 3. Κασέτα μπαταρίας     | 16. Δώστε κλίση στις λάμες                          | 27. Κάλυμμα λεπίδων                          |
| 4. Ένδειξη άστρου       | 17. Πιέστε  | 28. Βίδες                                    |
| 5. Δείκτης μπαταρίας    | 18. Συλλέκτης θραυσμάτων                            | 29. Κάτω κάλυμμα                             |
| 6. Κουμπί               | 19. Παξιμάδι  | 30. Έλασμα                                   |
| 7. Περιβλήμα            | 20. Λεπίδα κοπής                                    | 31. Στρόφαλος                                |
| 8. Σκανδάλη-διακόπτης B | 21. Συλλέκτης κλαδιών                               | 32. Ωοειδής τρύπα της λεπίδας κοπής          |
| 9. Σκανδάλη-διακόπτης A | 22. Άγκιστρα  | 33. Ένδειξη ορίου                            |
| 10. Κουμπί απασφάλισης  | 23. Προσαρμόστε τα άγκιστρα στην αυλάκωση           | 34. Κάλυμμα κατακίου υποδοχής                |
| 11. Επιλογέας ρύθμισης  | 24. Αυλακώσεις                                      | 35. Ίσιο κατασβίδι                           |
| 12. Ύψος κοπής          |   | 36. Καπάκι υποδοχής για καρβουνάκια          |
| 13. 10 cm               |   |  |

## ΠΡΟΔΙΑΓΡΑΦΕΣ

|   |               |              |
|---|---------------|--------------|
| Μοντέλο                                 | DUH551        | DUH651       |
| Μήκος λεπίδας                           | 550 mm        | 650 mm       |
| Διαδρομές το λεπτό (min <sup>-1</sup> ) | 1.000 - 1.800 |              |
| Ολικό μήκος                             | 1.065 mm      | 1.135 mm     |
| Ονομαστική τιμή τάσης                   | D.C.36V       |              |
| Καθαρό βάρος                            | 4,6 - 5,3 kg  | 4,7 - 5,5 kg |

- Λόγω του συνεχόμενου προγράμματος που εφαρμόζουμε για έρευνα και ανάπτυξη, τα τεχνικά χαρακτηριστικά στο παρόν έντυπο υπόκεινται σε αλλαγή χωρίς προειδοποίηση.
- Τα τεχνικά χαρακτηριστικά ενδέχεται να διαφέρουν ανάλογα με τη χώρα.
- Το βάρος μπορεί να διαφέρει αναλόγως του προσαρτήματος(ων), συμπεριλαμβανομένης της κασέτας μπαταρίας. Ο ελαφρύτερος και ο βαρύτερος συνδυασμός, σύμφωνα με τη Διαδικασία-EPTA 01/2014, εμφανίζονται στον πίνακα.

## Ισχύουσα κασέτα μπαταρίας και φορτιστής

|                  |   |
|------------------|---|
| Κασέτα μπαταρίας | BL1815N/BL1820/BL1820B/BL1830/BL1830B/BL1840/BL1840B/BL1850/BL1850B/BL1860B |
| Φορτιστής        | DC18RC/DC18RD/DC18RE/DC18SD/DC18SE/DC18SF                                   |

- Μερικές από τις κασέτες μπαταριών και φορτιστές που παρατίθενται παρακάτω μπορεί να μην είναι διαθέσιμες ανάλογα με την περιοχή κατοικίας σας.

### ΠΡΟΕΙΔΟΠΟΙΗΣΗ:

- Χρησιμοποιήστε μόνο τις κασέτες μπαταριών και τους φορτιστές που παρατίθενται παρακάτω. Η χρήση άλλων κασετών μπαταριών και φορτιστών μπορεί να προκαλέσει τραυματισμό ή/και φωτιά.

| Θόρυβος | Επίπεδο ηχητικής πίεσης |                          | Επίπεδο ηχητικής ισχύος |                          | Εφαρμοστέο πρότυπο ή οδηγία |
|---------|-------------------------|--------------------------|-------------------------|--------------------------|-----------------------------|
|         | Μοντέλο                 | L <sub>PA</sub> (dB (A)) | Αβεβαιότητα K (dB (A))  | L <sub>PA</sub> (dB (A)) |                             |
| DUH551  | 81,5                    | 2,1                      | 91                      | 1,5                      | 2000/14/EK                  |
| DUH651  | 82                      | 1,4                      | 91,1                    | 1,5                      |                             |

- Να φοράτε ωτοασπίδες.

| Δόνηση | Μοντέλο       | Δηλωθείσες εκπομπές (m/s <sup>2</sup> ) | Αβεβαιότητα K (m/s <sup>2</sup> ) | Εφαρμοστέο πρότυπο ή οδηγία |
|--------|---------------|---|-----------------------------------|-----------------------------|
|        |               |   |                                   |                             |
|        | DUH551/DUH651 | ≤ 2,5                                   | 1,5                               | EN60745-2-15                |

- Η δηλωθείσα τιμή των παραγομένων κραδασμών έχει καταμετρηθεί σύμφωνα με την τυποποιημένη μέθοδο

ENG901-1

- δοκιμασίας και μπορεί να χρησιμοποιηθεί για την σύγκριση ενός εργαλείου με ένα άλλο.
- Η δηλωθείσα τιμή των παραγομένων κραδασμών μπορεί επίσης να χρησιμοποιηθεί για μια

προκαταρκτική αξιολόγηση της έκθεσης στους κραδασμούς.

#### ΠΡΟΕΙΔΟΠΟΙΗΣΗ:

- Η εκπομπή κραδασμών κατά τη διάρκεια της πραγματικής χρήσης του ηλεκτρικού εργαλείου μπορεί να διαφέρει από τη δηλωθείσα τιμή των εκπομπών, ανάλογα με τον τρόπο με τον οποίο χρησιμοποιείται το εργαλείο.
- Φροντίστε να λάβετε τα μέτρα ασφαλείας που απαιτούνται για την προστασία του χρήστη που βασίζονται σε μια εκτίμηση της έκθεσης σε πραγματικές συνθήκες χρήσης (λαμβάνοντας υπόψη όλα τα μέρη του κύκλου λειτουργίας, όπως είναι οι περιπτώσεις κατά τις οποίες το εργαλείο είναι απενεργοποιημένο και όταν λειτουργεί στο ρελαντί επιπρόσθετος του χρόνου κατά τον οποίο το εργαλείο βρίσκεται σε χρήση).

#### Σύμβολο

ENE013-5

Παρακάτω παρουσιάζονται τα σύμβολα που χρησιμοποιούνται για τον εξοπλισμό. Βεβαιωθείτε ότι κατανοείτε τη σημασία τους πριν από τη χρήση.



..... Διαβάστε το εγχειρίδιο οδηγιών.



..... Μην το εκθέσετε στην υγρασία.



..... Μόνο για τις χώρες της ΕΕ

Μην απορρίπτετε τον ηλεκτρικό εξοπλισμό ή την μπαταρία μαζί με τα οικιακά απορρίμματα!

Σύμφωνα με την Ευρωπαϊκή Οδηγία περί απορριμμάτων ηλεκτρικών, ηλεκτρονικών συσκευών, μπαταριών και συσσωρευτών και των απορριμμάτων μπαταριών και συσσωρευτών και την ενσωμάτωσή τους στην εθνική νομοθεσία, οι ηλεκτρικές συσκευές, οι μπαταρίες και οι κασέτες μπαταριών, των οποίων έχει παρέλθει ο χρόνος ωφέλιμης ζωής τους, πρέπει να συλλέγονται ξεχωριστά και να επιστρέφονται σε εγκαταστάσεις περιβαλλοντικής ανακύκλωσης.

#### Προοριζόμενη χρήση

ENE014-1

Το εργαλείο προορίζεται για το κλάδεμα φρακτών από θάμνους.

#### ΕΚ Δήλωση συμμόρφωσης

##### Για Ευρωπαϊκές χώρες μόνο

Η δήλωση συμμόρφωσης ΕΚ περιλαμβάνεται ως παράρτημα Α σε αυτό το εγχειρίδιο οδηγιών.

## Γενικές Προειδοποιήσεις Ασφαλείας Του Ηλεκτρικού Εργαλείου

GEA010-1

#### ΠΡΟΕΙΔΟΠΟΙΗΣΗ Διαβάστε όλες τις

προειδοποιήσεις ασφαλείας και όλες τις οδηγίες. Αν δεν ακολουθήσετε όλες τις προειδοποιήσεις και τις οδηγίες, υπάρχει κίνδυνος ηλεκτροπληξίας, πυρκαγιάς ή/και σοβαρού τραυματισμού.

## Φυλάξτε όλες τις προειδοποιήσεις και τις οδηγίες για μελλοντική αναφορά.

## Προειδοποιήσεις ασφάλειας για το φορητό ψαλίδι μπορντούρας

GEB062-7

1. **Απομακρύνετε όλα τα μέρη του σώματός από την κοπτική λάμα. Μην αφαιρείτε το κομμένο υλικό και μην κρατάτε το υλικό προς κοπή όταν οι λάμες κινούνται. Οι λάμες συνεχίζουν την κίνησή τους μετά την απενεργοποίηση. Βεβαιωθείτε ότι ο διακόπτης είναι κλειστός όταν καθαρίζετε μπλοκαρισμένο υλικό.** Μια στιγμή απροσεξίας κατά τη διάρκεια χειρισμού του ψαλιδιού μπορντούρας μπορεί να προκαλέσει σοβαρό προσωπικό τραυματισμό.
2. **Να μεταφέρετε το ψαλίδι μπορντούρας από τη λαβή, με την κοπτική λάμα σταματημένη. Κατά τη μεταφορά ή την αποθήκευση του ψαλιδιού μπορντούρας, να τοποθετείτε πάντα το κάλυμμα της κοπτικής συσκευής.** Ο σωστός χειρισμός του ψαλιδιού μπορντούρας θα μειώσει τους πιθανούς ατομικούς τραυματισμούς από τις κοπτικές λάμες.
3. **Κρατάτε το ηλεκτρικό εργαλείο από τις μονωμένες επιφάνειες λαβής επειδή η κοπτική λάμα μπορεί να κάνει επαφή με το κρυμμένο καλώδιο.** Σε περίπτωση επαφής των κοπτικών λαμών με ηλεκτροφόρο καλώδιο, μπορεί τα εκτεθειμένα μεταλλικά εξαρτήματα του ηλεκτρικού εργαλείου να καταστούν τα ίδια ηλεκτροφόρα και να προκαλέσουν ηλεκτροπληξία στο χειριστή.
4. **ΚΙΝΔΥΝΟΣ - Να διατηρείτε τα χέρια σας μακριά από τη λάμα.** Η επαφή με τη λάμα θα έχει ως αποτέλεσμα σοβαρό προσωπικό τραυματισμό.
5. **Μη χρησιμοποιήσετε το ψαλίδι μπορντούρας στη βροχή ή σε βρεγμένες ή πολύ νωπές συνθήκες.** Το ηλεκτρικό μωτέρ δεν είναι αδιάβροχο.
6. **Όσοι χρησιμοποιούν το ψαλίδι για πρώτη φορά θα πρέπει να ζητήσουν από έναν έμπειρο χρήστη του ψαλιδιού μπορντούρας να τους δείξει πώς να χρησιμοποιήσουν το ψαλίδι.**
7. **Το ψαλίδι μπορντούρας δεν πρέπει να χρησιμοποιείται από παιδιά και νέους κάτω των 18 ετών.** Εξαιρούνται από αυτήν την απαγόρευση οι νέοι άνω των 16 ετών που εκπαιδεύονται υπό την επίβλεψη ειδικού.
8. **Να χρησιμοποιείτε το ψαλίδι μπορντούρας μόνο αν βρίσκεστε σε καλή σωματική κατάσταση.** Αν είστε κουρασμένοι, η προσοχή σας θα είναι μειωμένη. Προσέξτε ιδιαίτερα κατά το τέλος της μέρας εργασίας. Εκτελέστε όλες τις εργασίες με ηρεμία και προσοχή. Ο χρήστης είναι υπεύθυνος για όλες τις ζημιές σε άλλα άτομα.
9. **Μη χρησιμοποιείτε ποτέ το ψαλίδι υπό την επήρεια αλκοόλ, ναρκωτικών ουσιών ή φαρμάκων.**
10. **Τα γάντια εργασίας από ανθεκτικό δέρμα αποτελούν μέρος του βασικού εξοπλισμού του ψαλιδιού μπορντούρας και πρέπει πάντα να φοριούνται κατά την εργασία με αυτό. Επίσης, να**

φοράτε σταθερά παπούτσια με αντιολισθητικές σόλες.

11. Πριν ξεκινήσετε οποιαδήποτε εργασία, ελέγξτε για να βεβαιωθείτε ότι το ψαλίδι βρίσκεται σε καλή και ασφαλή κατάσταση εργασίας. Βεβαιωθείτε ότι οι προφυλακτικές είναι τοποθετημένα σωστά. Το ψαλίδι μπορντούρας δεν πρέπει να χρησιμοποιηθεί αν δεν είναι πλήρως συναρμολογημένο.
12. Να βεβαιώνεστε ότι στέκεστε σταθερά πριν ξεκινήσετε μια εργασία.
13. Κρατήστε το εργαλείο σταθερά όταν χρησιμοποιείτε το εργαλείο.
14. Μη θέτετε το εργαλείο σε λειτουργία χωρίς φορτίο όταν αυτό δεν είναι απαραίτητο.
15. Να σβήνετε αμέσως το μοτέρ και να βγάξετε την κασέτα μπαταριών αν το κοπτικό έρθει σε επαφή με φράχτη ή άλλο σκληρό αντικείμενο. Ελέγξτε το κοπτικό για ζημιά και, αν υπάρχει ζημιά, επισκευάστε αμέσως.
16. Πριν ελέγξετε το κοπτικό, διορθώστε μια βλάβη ή αφαιρέστε υλικά που πιάστηκαν στο κοπτικό, να σβήνετε πάντα το ψαλίδι και να βγάξετε την κασέτα μπαταριών.
17. Σβήστε το ψαλίδι και βγάλτε την κασέτα μπαταριών πριν εκτελέσετε οποιαδήποτε εργασία συντήρησης.
18. Όταν μετακινείτε το ψαλίδι μπορντούρας σε άλλη τοποθεσία, συμπεριλαμβανόντας κατά τη διάρκεια της εργασίας, να αφαιρείτε πάντα την κασέτα μπαταριών και να τοποθετείτε το κάλυμμα λαμών στις κοπτικές λάμες. Μη μεταφέρετε ποτέ το ψαλίδι με το κοπτικό να λειτουργεί. Μην πιάνετε ποτέ το κοπτικό με τα χέρια σας.
19. Να καθαρίζετε το ψαλίδι μπορντούρας, και ειδικά το κοπτικό, μετά τη χρήση και πριν τοποθετήσετε το ψαλίδι για αποθήκευση για μεγάλες χρονικές περιόδους. Λιπάνετε ελαφρά το κοπτικό και τοποθετήστε το κάλυμμα. Το κάλυμμα που παρέχεται με τη μονάδα μπορεί να κρεμαστεί στον τοίχο, παρέχοντας έναν ασφαλή και πρακτικό τρόπο αποθήκευσης του ψαλιδιού μπορντούρας.
20. Να αποθηκεύετε το ψαλίδι μπορντούρας με τοποθετημένο το κάλυμμα, σε ένα δωμάτιο χωρίς υγρασία. Φυλάξτε το μακριά από παιδιά. Μην αποθηκεύετε ποτέ το ψαλίδι σε εξωτερικό χώρο.
21. Μην στρέφετε ποτέ τις λάμες κουρευτικού προς το μέρος σας ή προς τους άλλους.
22. Αν οι λάμες σταματήσουν να κινούνται επειδή κόλλησαν ξένα αντικείμενα μεταξύ των λαμών κατά τη λειτουργία, σβήστε το εργαλείο και αφαιρέστε την κασέτα μπαταριών, μετά αφαιρέστε το ξένο αντικείμενο χρησιμοποιώντας κάποιο εργαλείο, όπως μια πένσα. Η αφαίρεση των ξένων αντικειμένων με το χέρι μπορεί να προκαλέσει τραυματισμό, επειδή οι λάμες μπορεί να κινηθούν σε αντίδραση της αφαίρεσης των ξένων αντικειμένων.

## ΦΥΛΑΞΤΕ ΤΙΣ ΟΔΗΓΙΕΣ ΑΥΤΕΣ.

### ΠΡΟΕΙΔΟΠΟΙΗΣΗ:

ΜΗΝ επιτρέψετε το βαθμό άνεσης ή εξοικείωσης με το προϊόν (λόγω επανειλημμένης χρήσης) να αντικαταστήσει την αυστηρή τήρηση των κανόνων

ασφαλείας του παρόντος εργαλείου. Η ΛΑΝΘΑΣΜΕΝΗ ΧΡΗΣΗ ή η αμέλεια να ακολουθήσετε τους κανόνες ασφαλείας που διατυπώνονται στο παρόν εγχειρίδιο οδηγιών μπορεί να προκαλέσει σοβαρό προσωπικό τραυματισμό.

## ΣΗΜΑΝΤΙΚΕΣ ΟΔΗΓΙΕΣ ΑΣΦΑΛΕΙΑΣ ΓΙΑ ΚΑΣΕΤΑ ΜΠΑΤΑΡΙΩΝ

ENC007-12

1. Πριν χρησιμοποιήσετε την μπαταρία, διαβάστε όλες τις οδηγίες και τις ενδείξεις προφύλαξης στο (1) φορητή μπαταρία, (2) την μπαταρία και (3) το προϊόν στο οποίο χρησιμοποιείται η μπαταρία.
2. Μην αποσυναρμολογείτε την μπαταρία.
3. Αν ο χρόνος λειτουργίας της μπαταρίας είναι υπερβολικά σύντομος, διακόψτε αμέσως τη λειτουργία. Αν συνεχίσετε, μπορεί να έχει ως αποτέλεσμα τον κίνδυνο υπερθέρμανσης, πιθανών εγκαυμάτων και ακόμη έκρηξης.
4. Αν μπει στα μάτια σας ηλεκτρολύτης, ξεπλύνετε με καθαρό νερό και αναζητήστε αμέσως ιατρική βοήθεια. Μπορεί να χάσετε την όρασή σας.
5. Μην βραχυκυκλώνετε την μπαταρία:
  - (1) Μην αγγίζετε τους ακροδέκτες με αγώγιμο υλικό.
  - (2) Μην αποθηκεύετε την μπαταρία σε δοχείο με άλλα μεταλλικά αντικείμενα, όπως καρφιά, νομίσματα, κτλ.
  - (3) Μην εκθέτετε την μπαταρία σε νερό ή βροχή. Αν βραχυκυκλωθεί η μπαταρία, μπορεί να προκληθεί μεγάλη ροή ηλεκτρικού ρεύματος, υπερθέρμανση, πιθανά εγκαύματα και ακόμη και καταστροφή της μπαταρίας.
6. Μην αποθηκεύετε το εργαλείο και την μπαταρία σε μέρος όπου η θερμοκρασία μπορεί να φτάσει ή να ξεπεράσει τους 50°C (122°F).
7. Μην αποθερλώνετε την μπαταρία ακόμη κι αν παρουσιάζει σοβαρή ζημιά ή είναι εντελώς φθαρμένη. Η μπαταρία μπορεί να εκραγεί σε φωτιά.
8. Να προσέχετε να μη σας πέσει η μπαταρία και να μη συγκρουστεί με κάποιο αντικείμενο.
9. Μην χρησιμοποιείτε μια μπαταρία που έχει υποστεί βλάβη.
10. Οι μπαταρίες ιόντων λιθίου που περιέχονται υπόκεινται στις απαιτήσεις της νομοθεσίας για επικίνδυνα αγαθά.

Για εμπορικές μεταφορές, για παράδειγμα από τρίτα μέρη, πρέπει να τηρούνται οι διαμεταφορές, οι ειδικές απαιτήσεις στη συσκευασία και η επισήμανση. Για προετοιμασία του στοιχείου που αποστέλλεται, είναι απαραίτητο να συμβουλευτείτε έναν ειδικό για επικίνδυνα υλικά. Επίσης, τηρήστε τους πιθανούς, πιο αναλυτικούς εθνικούς κανονισμούς. Καλύψτε με αυτοκόλλητη ταινία ή κρύψτε τις ανοικτές επαφές και συσκευάστε την μπαταρία με τρόπο που να μην μπορεί να μετακινείται μέσα στη συσκευασία.
11. Ακολουθήστε τους τοπικούς κανονισμούς σχετικά με την απόρριψη της μπαταρίας.
12. Χρησιμοποιείτε τις μπαταρίες μόνο με τα προϊόντα που καθορίζει η Makita. Η τοποθέτηση των μπαταριών σε μη συμμορφούμενα προϊόντα

μπορεί να προκαλέσει πυρκαγιά, υπερβολική ζέση, έκρηξη ή διαρροή ηλεκτρολύτη.

## ΦΥΛΑΞΤΕ ΑΥΤΕΣ ΤΙΣ ΟΔΗΓΙΕΣ.

**⚠ ΠΡΟΣΟΧΗ:** Να χρησιμοποιείτε μόνο γνήσιες μπαταρίες της Makita.

Η χρήση μη γνήσιων μπαταριών Makita, ή μπαταριών που έχουν τροποποιηθεί, μπορεί να έχει ως αποτέλεσμα τη ρήξη της μπαταρίας, προκαλώντας πυρκαγιά, προσωπικό τραυματισμό και βλάβη. Επίσης, θα ακυρωθεί η εγγύηση της Makita για το εργαλείο και φορτιστή Makita.

## Συμβουλές για τη διατήρηση της μέγιστης ζωής της μπαταρίας

- 1. Να φορτίζετε την μπαταρία πριν αποφορτιστεί εντελώς.**  
Πάντοτε να διακόπτετε τη λειτουργία του εργαλείου και να φορτίζετε την μπαταρία όταν παρατηρείται μειωμένη ισχύ του εργαλείου.
- 2. Ποτέ μην επαναφορτίζετε μια πλήρως φορτισμένη μπαταρία.**  
Αν υπερφορτίσετε την μπαταρία, μειώνεται η ωφέλιμη διάρκεια ζωής της.
- 3. Να φορτίζετε την μπαταρία σε θερμοκρασία δωματίου, δηλαδή στους 10°C έως 40°C (50°F έως 104°F).** Αν η μπαταρία είναι θερμή, αφήστε την να ψυχθεί πριν τη φορτίσετε.
- 4. Φορτίστε την κασέτα μπαταρίας εάν δεν πρόκειται να την χρησιμοποιήσετε για περισσότερους από έξι μήνες.**

## ΠΕΡΙΓΡΑΦΗ ΛΕΙΤΟΥΡΓΙΑΣ

**⚠ ΠΡΟΣΟΧΗ:**

- Να βεβαιώνετε πάντοτε ότι έχετε σβήσει το εργαλείο και έχετε βγάλει την κασέτα μπαταρίας πριν ρυθμίσετε ή ελέγξετε κάποια λειτουργία του εργαλείου.

## Τοποθέτηση ή αφαίρεση της κασέτας μπαταρίας (Εικ. 1)

**⚠ ΠΡΟΣΟΧΗ:**

- Πάντοτε να απενεργοποιείτε το εργαλείο πριν από την τοποθέτηση ή την αφαίρεση της κασέτας μπαταρίας.
- **Κρατήστε το εργαλείο και την κασέτα μπαταρίας γερά κατά την τοποθέτηση ή την αφαίρεση της κασέτας μπαταρίας.** Εάν δεν κρατήσετε το εργαλείο και την μπαταρία καλά μπορεί να γλιστρήσουν από τα χέρια σας και να προκληθεί ζημιά στο εργαλείο και στη μπαταρία αλλά και προσωπικούς τραυματισμούς.

Για να βγάλετε την κασέτα μπαταρίας, σύρετε την από το εργαλείο ολισθαίνοντας το κουμπί στο μπροστινό μέρος της κασέτας.

Για να τοποθετήσετε την κασέτα μπαταρίας, ευθυγραμμίστε τη γλωττίδα της κασέτας μπαταρίας με την εγκοπή στο περιβλήμα και ολισθήστε τη στη θέση της. Τοποθετήστε τη έως το τέρμα, δηλαδή έως όπου ασφαλίσει στη θέση και ακουστεί ένας χαρακτηριστικός ήχος "κλικ". Αν μπορείτε να δείτε την κόκκινη ένδειξη στην πάνω πλευρά του κουμπιού, η μπαταρία δεν είναι πλήρως ασφαλισμένη.

**⚠ ΠΡΟΣΟΧΗ:**

- Πάντοτε να τοποθετείτε πλήρως την κασέτα μπαταρίας για να μη φαίνεται η κόκκινη ένδειξη. Σε αντίθετη περίπτωση, μπορεί να πέσει κατά λάθος από το εργαλείο και να τραυματίσει εσάς ή κάποιον παρευρισκόμενο.
- Μην εισάγετε με τη βία την κασέτα μπαταρίας. Αν η κασέτα δεν ολισθαίνει με ευκολία, δεν την εισαγάγετε ουστά.

**ΣΗΜΕΙΩΣΗ:**

- Το εργαλείο δεν λειτουργεί με μόνο μια κασέτα μπαταρίας.

## Σύστημα προστασίας εργαλείου/ μπαταρίας

Το εργαλείο είναι εφοδιασμένο με ένα σύστημα προστασίας εργαλείου/μπαταρίας. Αυτό το σύστημα διακόπτει αυτόματα το ρεύμα στον κινητήρα για να παρατηνείται η διάρκεια ζωής του εργαλείου και της μπαταρίας.

Το εργαλείο θα σταματήσει αυτόματα κατά τη λειτουργία όταν το εργαλείο ή η μπαταρία υποστούν μια από τις παρακάτω συνθήκες. Σε ορισμένες περιπτώσεις ανάβουν οι δείκτες.

## Προστασία υπερφόρτωσης

Όταν το εργαλείο λειτουργεί με τρόπο που το κάνει να τραβά μια ασυνήθιστα μεγάλη ποσότητα ρεύματος, το εργαλείο σταματά αυτόματα χωρίς κάποια ένδειξη. Στην περίπτωση αυτή, απενεργοποιήστε το εργαλείο και σταματήστε την εφαρμογή που προκάλεσε την υπερφόρτωση του εργαλείου. Στη συνέχεια ενεργοποιήστε το εργαλείο για να ξαναρχίσετε πάλι.

## Προστασία υπερφόρτωσης για το εργαλείο/μπαταρία

Όταν το εργαλείο/μπαταρία έχει υπερθερμανθεί, το εργαλείο σταματά αυτόματα χωρίς ένδειξη. Το εργαλείο δεν ξεκινά ακόμη και αν τραβήξετε τη σκανδάλη-διακόπτης. Στην περίπτωση αυτή, αφήστε το εργαλείο/μπαταρία να κρυώσει πριν ενεργοποιήσετε ξανά το εργαλείο.

**ΣΗΜΕΙΩΣΗ:**

Η προστασία από την υπερθέρμανση της μπαταρίας λειτουργεί μόνο με μια κασέτα μπαταρίας που έχει την ένδειξη άστρου. (Εικ. 2)

## Προστασία έναντι της υπερβολικής αποφόρτισης (Εικ. 3)

Όταν είναι χαμηλή η εναπομένουσα χωρητικότητα της μπαταρίας, ο δείκτης της μπαταρίας αναβοβλίνει στη σχετική πλευρά της μπαταρίας. Αν συνεχιστεί η χρήση, το εργαλείο σταματά και ανάβει ο δείκτης της μπαταρίας για 10 δευτερόλεπτα περίπου. Σε αυτήν την περίπτωση, φορτίστε την κασέτα μπαταρίας.

## Θέση στερέωσης της λαβής

**⚠ ΠΡΟΣΟΧΗ:**

- Να βεβαιώνετε πάντα ότι η λαβή είναι κλειδωμένη στην επιθυμητή θέση πριν από τη λειτουργία. (Εικ. 4)

Ανάλογα με τις λειτουργίες, μπορείτε να ρυθμίσετε τη γωνία της λαβής σε μια από τις θέσεις των 45° ή 90° στα αριστερά ή στα δεξιά. Για να περιστρέψετε τη λαβή, τραβήξτε έξω το κουμπί και γυρίστε τη λαβή όπως φαίνεται στην εικόνα. Η λαβή είναι κλειδωμένη στη θέση των 45°. Για να περιστρέψετε τη λαβή στη θέση 90°, τραβήξτε το κουμπί ξανά και περιστρέψτε περισσότερο τη λαβή.

## Δράση διακοπής

### ⚠️ ΠΡΟΣΟΧΗ:

- Πριν την τοποθέτηση της κασέτας μπαταρίας στο εργαλείο, πάντοτε να ελέγχετε για να δείτε ότι η σκανδάλη-διακόπτης ενεργοποιείται κανονικά και επιστρέφει στη θέση "OFF" όταν την αφήνετε. **(Εικ. 5)**
- Για την ασφάλειά σας, αυτό το εργαλείο διαθέτει ένα διπλό σύστημα διακοπών. Για να ενεργοποιήσετε το εργαλείο, πατήστε το κουμπί απασφάλισης και πατήστε τις σκανδάλες-διακόπτες A και B. Για να απενεργοποιήσετε το διακόπτη, απελευθερώστε μία από τις σκανδάλες-διακόπτες. Το εργαλείο ξεκινά όταν πατηθούν και οι δύο σκανδάλες-διακόπτες.

## Αλλαγή ταχύτητας (Εικ. 6)

Μπορείτε να ρυθμίσετε τις διαδρομές ανά λεπτό, να περιστρέψετε απλά τον επιλογέα ρύθμισης. Αυτό μπορεί να πραγματοποιηθεί ακόμα και κατά τη λειτουργία του εργαλείου. Ο επιλογέας είναι σημειωμένος από το 1 (χαμηλότερη ταχύτητα) έως το 6 (τελική ταχύτητα). Για τη σχέση μεταξύ των αριθμημένων ρυθμίσεων στον επιλογέα ρύθμισης και των διαδρομών ανά λεπτό, ανατρέξτε στον παρακάτω πίνακα.

| Αριθμηση στον επιλογέα ρύθμισης | Διαδρομές το λεπτό (min <sup>-1</sup> ) |
|---------------------------------|---|
| 6                               | 1.800                                   |
| 5                               | 1.750                                   |
| 4                               | 1.650                                   |
| 3                               | 1.500                                   |
| 2                               | 1.300                                   |
| 1                               | 1.000                                   |

011264

### ⚠️ ΠΡΟΣΟΧΗ:

- Ο επιλογέας ρύθμισης ταχύτητας έχει τη δυνατότητα ρύθμισης έως το 6 και ξανά πίσω στο 1. Μην τον εξαναγκάζετε πέρα από το 6 ή το 1, αλλιώς μπορεί να μην λειτουργήσει πλέον η ρύθμιση ταχύτητας.
- Οι διαδρομές ανά λεπτό διαφέρουν ανάλογα με τις συνθήκες της μπαταρίας και των λεπίδων κοπής.

## ΛΕΙΤΟΥΡΓΙΑ

### ⚠️ ΠΡΟΣΟΧΗ:

- Να προσέξετε να μην έρθετε σε επαφή κατά τύχη με ένα μεταλλικό φράκτη ή με άλλα σκληρά αντικείμενα κατά το κλάδεμα. Η λεπίδα θα σπάσει και μπορεί να προκαλέσει σοβαρό τραυματισμό.
- Το υπερβολικό τέντωμα με το ψαλίδι μπορντούρας, ιδιαίτερα από μια σκάλα είναι υπερβολικά επικίνδυνο. Να μην εργάζεστε από μια κινούμενη ή ασταθή θέση.

## ΕΙΔΟΠΟΙΗΣΗ:

**Μην προσπαθήσετε να κόψετε κλαδιά με διάμετρο πάχους μεγαλύτερη από 10 mm με αυτό το εργαλείο.** Να κόβετε τα κλαδιά 10 cm χαμηλότερα σε σχέση με το ύψος κοπής χρησιμοποιώντας κόφτες κλαδιών πριν χρησιμοποιήσετε το εργαλείο. **(Εικ. 7)**

### ⚠️ ΠΡΟΣΟΧΗ:

- Μην κόβετε ξερά δένδρα ή παρόμοια σκληρά αντικείμενα. Αν δεν τηρήσετε αυτή την οδηγία, μπορεί να προκληθεί ζημιά στο εργαλείο. **(Εικ. 8)**
- Κρατήστε το ψαλίδι με τα δύο σας χέρια και τραβήξτε τη σκανδάλη-διακοπής A ή B και μετακινήστε το μπροστά από το σώμα σας. **(Εικ. 9)**
- Για τη βασική λειτουργία, στρέψτε τις λεπίδες προς την διεύθυνση κλάδεματος και κινήστε το ήρεμα και αργά με μια ταχύτητα 3 - 4 δευτερολέπτων το μέτρο. **(Εικ. 10)**
- Η ομοιόμορφη κοπή της κορυφής ενός φράκτη, γίνεται ευκολότερη με το δέσιμο μιας κλωστής στο επιθυμητό ύψος και το κλάδεμα κατά μήκος της, χρησιμοποιώντας την ως γραμμή αναφοράς. **(Εικ. 11)**
- Η τοποθέτηση του συλλογέα θραυσμάτων (προαιρετικό αξεσουάρ) στο εργαλείο κατά το κλάδεμα του φράκτη σε ευθεία μπορεί να βοηθήσει στην αποφυγή του πετάγματος των κομμένων φύλλων. **(Εικ. 12)**
- Περιστρέψτε τη λαβή για εύκολο κράτημα πριν την χρήση. Ανατρέξτε στην ενότητα με τίτλο "Θέση στερέωσης της λαβής".
- Για την ίσια κοπή των πλαϊνών του φράκτη, θα βοηθηθείτε εάν κόβετε από κάτω προς τα πάνω. **(Εικ. 13)**
- Να κλαδεύετε ένα πυξό ή ένα ροδόδεντρο από τη βάση προς τα πάνω ώστε να γίνει μια κλήρ δουλειά και να δημιουργηθεί μια ωραία εμφάνιση.

## Τοποθέτηση ή αφαίρεση του συλλέκτη θραυσμάτων (προαιρετικό αξεσουάρ)

### ⚠️ ΠΡΟΣΟΧΗ:

- Να βεβαιώνετε πάντοτε ότι έχετε σβήσει το εργαλείο και έχετε βγάλει την μπαταρία πριν την τοποθέτηση ή την αφαίρεση του συλλέκτη θραυσμάτων.

## ΣΗΜΕΙΩΣΗ:

- Κατά την αντικατάσταση του συλλέκτη θραυσμάτων, πάντοτε να φοράτε γάντια έτσι ώστε τα χέρια σας και το πρόσωπό σας να μην έρχονται σε άμεση επαφή με τη λεπίδα. Αν δεν τηρήσετε αυτή την οδηγία, μπορεί να προκληθεί προσωπικός τραυματισμός.
- Πάντοτε να φροντίζετε να αφαιρέσετε το κάλυμμα των λεπίδων πριν την εγκατάσταση του συλλέκτη θραυσμάτων.
- Ο συλλέκτης θραυσμάτων δέχεται κομμένα φύλλα και μετριάζει το πέταγμα των φύλλων. Μπορείτε να τον τοποθετήσετε σε οποιαδήποτε πλευρά του εργαλείου. **(Εικ. 14)**

Πιέστε τον συλλέκτη θραυσμάτων στις λεπίδες κοπής έτσι ώστε οι σχισμές του να επικαλύπτουν τα παξίμωδια των λεπίδων κοπής. Τη στιγμή αυτή, φροντίστε ώστε ο συλλέκτης θραυσμάτων να μην έρχεται σε επαφή με το συλλέκτη κλαδιών στην κορυφή των λεπίδων κοπής. **(Εικ. 15)**

Τη στιγμή αυτή, ο συλλέκτης θραυσμάτων χρειάζεται να τοποθετηθεί με τέτοιο τρόπο ώστε τα άγκιστρα του να ταιριάζουν μέσα στις αυλακώσεις της μονάδας των λεπίδων κοπής. **(Εικ. 16)**



Για να βγάλετε τον συλλέκτη θραυσμάτων, πιέστε το μοχλό και στις δύο πλευρές έτσι ώστε να απασφαλίσουν τα άγκιστρα. **(Εικ. 17)**

#### ΠΡΟΣΟΧΗ:

- Το κάλυμμα των λεπίδων δεν μπορεί να τοποθετηθεί πάνω στο εργαλείο με εγκαταστημένο το συλλέκτη θραυσμάτων. Πριν από την μεταφορά ή την αποθήκευση, αφαιρέστε τον συλλέκτη θραυσμάτων και μετά τοποθετήστε το κάλυμμα των λεπίδων για να αποφυγείτε την έκθεση των λεπίδων.

#### ΣΗΜΕΙΩΣΗ:

- Ελέγξτε ότι ο συλλέκτης θραυσμάτων έχει τοποθετηθεί σταθερά πριν από την χρήση.
- Ποτέ να μην προσπαθήσετε να αφαιρέσετε τον συλλέκτη θραυσμάτων με τη χρήση υπερβολικής βίας καθώς τα άγκιστρα του είναι ασφαλισμένα στις αλκακώσεις στη μονάδα των λεπίδων. Η χρήση υπερβολικής δύναμης μπορεί να τον καταστρέψει.

## ΣΥΝΤΗΡΗΣΗ

#### ΠΡΟΣΟΧΗ:

- Να βεβαιώνετε πάντοτε ότι έχετε σβήσει το εργαλείο και έχετε βγάλει την μπαταρία πριν εκτελέσετε οποιαδήποτε εργασία ελέγχου ή συντήρησης σε αυτό.
- Μην χρησιμοποιήσετε βενζίνη, βενζόλη, διαλυτικό, αλκοολή ή κάτι παρόμοιο. Μπορεί να προκληθεί αποχρωματισμός, παραμόρφωση ή ρωγμές.

## Καθαρισμός του εργαλείου

Καθαρίστε το εργαλείο σκουπίζοντας την σκόνη με ένα στεγνό πανί ή με ένα πανί βουτηγμένο σε σαπουνόνερο.

## Συντήρηση λεπίδας

Επαλείψτε την λεπίδα πριν από τη λειτουργία και μια φορά κάθε μια ώρα λειτουργίας, χρησιμοποιώντας μηχανικό λάδι ή κάτι παρόμοιο.

#### ΣΗΜΕΙΩΣΗ:

- Πριν την επάλειψη της λεπίδας, αφαιρέστε το συλλέκτη θραυσμάτων.

Μετά τη λειτουργία, αφαιρέστε την σκόνη από τις δύο πλευρές της λεπίδας με μια συμπαγέβουρτσα, σκουπίστε με ένα πανί και μετά βάλτε αρκετό λάδι χαμηλού ιξώδους, όπως μηχανικό λάδι, κτλ. και λιπαντικό ψεκασμού.

#### ΠΡΟΣΟΧΗ:

- Μην πλύνετε τις λεπίδες με νερό. Αν δεν τηρήσετε αυτή την οδηγία, μπορεί να προκληθεί σκουριά ή φθορά στο εργαλείο.

#### ΕΙΔΟΠΟΙΗΣΗ:

Εάν υπάρχουν φθαρμένα εξαρτήματα, εκτός των λεπίδων κοπής, όπως ο στρόφαλος, ζητήστε από τα εξουσιοδοτημένα κέντρα εξυπηρέτησης της Makita την αντικατάσταση ή την επισκευή τους.

## Αφαίρεση ή τοποθέτηση της λεπίδας κοπής

#### ΠΡΟΣΟΧΗ:

- Πριν από την αφαίρεση ή την τοποθέτηση της λεπίδας κοπής, πάντοτε να φροντίζετε να απενεργοποιείτε το εργαλείο και να αφαιρείτε την μπαταρία.

- Κατά την αντικατάσταση της λεπίδας κοπής, πάντοτε να φοράτε γάντια χωρίς να αφαιρέσετε το κάλυμμα των λεπίδων έτσι ώστε τα χέρια σας και το πρόσωπό σας να μην έρχονται σε άμεση επαφή με τη λεπίδα. Αν δεν τηρήσετε αυτή την οδηγία, μπορεί να προκληθεί προσωπικός τραυματισμός.

#### ΣΗΜΕΙΩΣΗ:

- Μην σκουπίσετε το γράσο από το γρανάζι και το στρόφαλο. Αν δεν τηρήσετε αυτή την οδηγία, μπορεί να προκληθεί ζημιά στο εργαλείο.
- Για τον ειδικό τρόπο αφαίρεσης και τοποθέτησης των λεπίδων κοπής ανατρέξτε στο πίσω μέρος της συσκευασίας για τις βοηθητικές λεπίδες κοπής.

## Αφαίρεση των λεπίδων κοπής

Αναστρέψτε το εργαλείο και ξεσφίξτε τις τέσσερις βίδες. **(Εικ. 18)**

#### ΣΗΜΕΙΩΣΗ:

- Προσέξτε να μην λερώσετε τα χέρια σας επειδή υπάρχει γράσο στην επιφάνεια κίνησης της λεπίδας κοπής.

Αφαιρέστε το κάτω κάλυμμα. **(Εικ. 19)**

Αφαιρέστε το έλασμα. **(Εικ. 20)**

Τοποθετήστε τον στρόφαλο υπό γωνία όπως δείχνεται στην εικόνα με ένα ίσιο κατσαβίδι. **(Εικ. 21)**

Αφαιρέστε τις δύο βίδες από τις λεπίδες κοπής και θα βγει έξω το συγκρότημα των λεπίδων κοπής. **(Εικ. 22)**

#### ΠΡΟΣΟΧΗ:

- Επιστρέψτε το γρανάζι στην αρχική του θέση όπως ήταν τοποθετημένο, εάν βγει έξω κατά λάθος.

## Τοποθέτηση των λεπίδων κοπής

Ετοιμάστε τις 4 βίδες που έχουν αφαιρεθεί (Για το κάτω κάλυμμα), τις 2 βίδες (Για τη λεπίδα κοπής), το έλασμα, το κάτω κάλυμμα, και τις νέες λεπίδες κοπής.

Προσαρμόστε τη θέση του στρόφαλου όπως απεικονίζεται στην εικόνα. Τη στιγμή αυτή, βάλτε λίγο γράσο που παρέχεται με τις νέες λεπίδες κοπής στην περιφέρεια του στρόφαλου. **(Εικ. 23)**

Αλληλεπικαλύψτε την ωοειδή τρύπα στην πάνω λεπίδα με αυτή στην κάτω. **(Εικ. 24)**

Αφαιρέστε το κάλυμμα των λεπίδων από τις παλιές λεπίδες κοπής και τοποθετήστε το πάνω στις νέες για τον εύκολο χειρισμό κατά την αντικατάσταση των λεπίδων. **(Εικ. 25)**

Τοποθετήστε τις καινούργιες λεπίδες κοπής πάνω στο εργαλείο έτσι ώστε οι ωοειδείς τρύπες των λεπίδων κοπής να ταιριάζουν πάνω στο στρόφαλο. Αλληλεπικαλύψτε τις τρύπες των λεπίδων κοπής με τις τρύπες των βιδών του εργαλείου και μετά στερεώστε τις με τις δύο βίδες. **(Εικ. 26)**

Ελέγξτε εάν ο στρόφαλος περιστρέφεται ομαλά με ένα ίσιο κατσαβίδι. **(Εικ. 27)**

Τοποθετήστε το έλασμα και το κάτω κάλυμμα στο εργαλείο. Σφίξτε την βίδα γερά.

#### ΣΗΜΕΙΩΣΗ:

- Δεν υπάρχει διαφοροποίηση μεταξύ της πάνω και της κάτω μεριάς του ελάσματος.
- Αφαιρέστε το κάλυμμα των λεπίδων και περιστρέψτε το εργαλείο για να ελέγξετε εάν κινείται κατάλληλα.

## ΣΗΜΕΙΩΣΗ:

- Εάν οι λεπίδες κοπής δεν λειτουργούν ομαλά τότε δεν είναι κατάλληλο το ταίριασμα μεταξύ των λεπίδων και του στροφάλου. Εκτελέστε ξανά από την αρχή.

## Αλλαγή καρβουνακίων (Εικ. 28)

Να αφαιρείτε και να ελέγχετε τακτικά τα καρβουνάκια. Να αντικαθιστάτε τα καρβουνάκια όταν έχουν φθαρεί έως την ένδειξη του ορίου. Να διατηρείτε τα καρβουνάκια καθαρά και ελεύθερα για να γλιστρούν στις υποδοχές. Πρέπει να αλλάζετε ταυτόχρονα και τα δύο καρβουνάκια. Να χρησιμοποιείτε μόνο καρβουνάκια ίδιου τύπου. **(Εικ. 29)** Τοποθετήστε την άκρη ενός ίσιου κατασβιδιού μέσα στην εγκοπή του εργαλείου και σηκώστε το κάλυμμα καπακιού υποδοχής για να το βγάλετε. **(Εικ. 30)**

Με τη βοήθεια ενός ίσιου κατασβιδιού, βγάλτε τα καπάκια υποδοχής για τα καρβουνάκια. Βγάλτε τα φθαρμένα καρβουνάκια, τοποθετήστε τα καινούργια και ασφαλίστε τα καπάκια υποδοχής για τα καρβουνάκια. Τοποθετήστε ξανά το κάλυμμα καπακιού υποδοχής στο εργαλείο.

## Αποθήκευση

Η τρύπα του γάντζου στη βάση του καλύμματος των λεπίδων είναι βολική για το κρέμασμα του εργαλείου από ένα καρφί ή μια βίδα στον τοίχο. **(Εικ. 31)**

Αφαιρέστε τη μπαταρία και τοποθετήστε το κάλυμμα των λεπίδων πάνω στις λεπίδες κοπής έτσι ώστε οι λεπίδες να μην είναι εκτεθειμένες. Αποθηκεύστε προσεκτικά το εργαλείο σε χώρο όπου βρίσκεται μακριά από την πρόσβαση των παιδιών.

Αποθηκεύστε το εργαλείο σε ένα χώρο που δεν είναι εκτεθειμένος στο νερό ή στη βροχή.

Για να διατηρείται η ΑΣΦΑΛΕΙΑ και η ΑΞΙΟΠΙΣΤΙΑ του προϊόντος, οι εργασίες επισκευής, καθώς και οποιαδήποτε άλλη εργασία συντήρησης ή ρύθμισης, θα πρέπει να εκτελούνται σε εξουσιοδοτημένα κέντρα εξυπηρέτησης της Makita, και πάντοτε με τη χρήση ανταλλακτικών της Makita.

## ΠΡΟΑΙΡΕΤΙΚΑ ΑΞΕΣΟΥΑΡ

### ΠΡΟΣΟΧΗ:

- Συνιστάται η χρήση αυτών των αξεσουάρ ή εξαρτημάτων με το εργαλείο της Makita, όπως περιγράφεται στο παρόν εγχειρίδιο. Αν χρησιμοποιήσετε άλλα αξεσουάρ ή εξαρτήματα μπορεί να παρουσιαστεί κίνδυνος για πρόκληση τραυματισμού προσώπων. Να χρησιμοποιείτε τα αξεσουάρ και τα εξαρτήματα μόνο για το σκοπό για τον οποίο προορίζονται.

Αν χρειάζεστε κάποια βοήθεια ή περισσότερες πληροφορίες σχετικά με τα αξεσουάρ αυτά, απευθυνθείτε στο πλησιέστερο κέντρο εξυπηρέτησης της Makita.

- Κάλυμμα λεπίδων
- Συγκρότημα λεπίδων κοπής
- Αυθεντική μπαταρία και φορτιστής της Makita
- Συλλέκτης θραυσμάτων

## ΣΗΜΕΙΩΣΗ:

- Ορισμένα από τα στοιχεία της λίστα μπορεί να περιέχονται στην συσκευασία του εργαλείου ως κανονικά αξεσουάρ. Αυτά ενδέχεται να διαφέρουν από χώρα σε χώρα.

# TÜRKÇE (Orijinal talimatlar)

## Genel görünüm

1. Kırmızı gösterge
2. Düğme
3. Akü
4. Yıldız işareti
5. Akü göstergesi
6. Topuz
7. Muhafaza
8. Açma/kapama düğmesi B
9. Açma/kapama düğmesi A
10. Kilitleme düğmesi
11. Ayar düğmesi
12. Kesim yüksekliği
13. 10 cm
14. Budama yönü
15. Budanacak çit yüzeyi
16. Bıçakları yatırın.
17. Bastırın
18. Atık toplayıcı
19. Somun
20. Budama bıçağı
21. Dal tutucu
22. Kancalar
23. Kancaları yuvaya oturtun
24. Yuvalar
25. Tırnakları her iki tarafından bastırın
26. Çekerek kancaları serbest bırakın
27. Bıçak kapağı
28. Vidalar
29. Alt kapak
30. Plaka
31. Krank
32. Budama bıçağı oval deliği
33. Sınır çizgisi
34. Yuva kapağı
35. Düz uçlu tornavida
36. Firça yuvası kapağı

## TEKNİK ÖZELLİKLER

| Model                                      | DUH551        | DUH651       |
|--|---------------|--------------|
| Bıçak uzunluğu                             | 550 mm        | 650 mm       |
| Dakikada vuruş sayısı (dak <sup>-1</sup> ) | 1.000 - 1.800 |              |
| Toplam uzunluk                             | 1.065 mm      | 1.135 mm     |
| Anma gerilimi                              | D.C.36V       |              |
| Net ağırlık                                | 4,6 - 5,3 kg  | 4,7 - 5,5 kg |

- Sürekli yapılan araştırma ve geliştirmelerden dolayı, burada belirtilen özellikler önceden bildirilmeksizin değiştirilebilir.
- Özellikler ülkeden ülkeye farklılıklar gösterebilir.
- Ağırlık, akü de dahil aksesuar(lar)a bağlı olarak değişebilir. EPTA Prosedürü 01/2014'e göre en düşük ve en yüksek ağırlıklı kombinasyonlar tabloda gösterilmiştir.

## İlgili akü ve şarj cihazı

|             |   |
|-------------|---|
| Akü         | BL1815N/BL1820/BL1820B/BL1830/BL1830B/BL1840/BL1840B/BL1850/BL1850B/BL1860B |
| Şarj cihazı | DC18RC/DC18RD/DC18RE/DC18SD/DC18SE/DC18SF                                   |

- Listelenen akülerden ve şarj cihazlarından bazıları yaşadığınız bölgede bulunmayabilir.

### ⚠ UYARI:

- **Sadece yukarıda listelenen aküleri ve şarj cihazlarını kullanın.** Başka akülerin ve şarj cihazlarının kullanılması yaralanmalara ve/veya yangına yol açabilir.

| Gürültü | Ses basıncı seviyesi     |                          | Ses gücü seviyesi        |                          | İlgili standart veya direktif |
|---------|--------------------------|--------------------------|--------------------------|--------------------------|-------------------------------|
|         | L <sub>PA</sub> (dB (A)) | Belirsizlik (K) (dB (A)) | L <sub>PA</sub> (dB (A)) | Belirsizlik (K) (dB (A)) |                               |
| Model   |                          |                          |                          |                          |                               |
| DUH551  | 81,5                     | 2,1                      | 91                       | 1,5                      | 2000/14/EC                    |
| DUH651  | 82                       | 1,4                      | 91,1                     | 1,5                      |                               |

- Koruyucu kulaklık takın.

| Titreşim      | Bildirilen emisyon (m/san <sup>2</sup> ) | Belirsizlik K (m/san <sup>2</sup> ) | İlgili standart veya direktif |
|---------------|--|-------------------------------------|-------------------------------|
|               |  |                                     |                               |
| DUH551/DUH651 | ≤ 2,5                                    | 1,5                                 | EN60745-2-15                  |

ENG901-1

### ⚠ UYARI:

- Belirtilen titreşim emisyonu değeri, standart test yöntemine göre ölçülmüştür ve makinenin diğer makinelerle karşılaştırılması için kullanılabilir.
- Belirtilen titreşim emisyonu değeri ayrıca maruziyetin ön değerlendirilmesinde de kullanılabilir.
- Elektrikli aletin gerçek kullanımı sırasında ortaya çıkacak titreşim emisyonu, aletin kullanıma şekline bağlı olarak belirlenen emisyon değerinden farklı olabilir.
- Gerçek kullanım koşullarındaki maruziyeti tahmin ederek (örneğin, aletin açılma süresine ek olarak kapalı konuma getirildiği ve rölantide çalıştığı süreler gibi çalışma döngüsünün tüm bileşenlerini dikkate alın),

kullanıcıyı korumak için gerekli güvenlik önlemlerinin alındığından emin olun.

## Simgeler

ENE013-5

Makine için kullanılan simgeler aşağıda gösterilmiştir. Makineyi kullanmaya başlamadan önce bu simgelerin ne anlama geldiğini öğrenin.



..... Kullanım kılavuzunu okuyun.



..... Neme maruz bırakmayın.



Ni-MH  
Li-Ion

..... Sadece AB ülkeleri için  
Elektrik cihazları ve pilleri ev çöpüyle birlikte atmayın!  
Elektrikli ve Elektronik Cihaz Atıkları, Piller ve Aküler ve Pil ve Akü Atıkları Hakkındaki Avrupa Yönergeleri ve bunların ulusal kanunlara göre uygulanışı uyarınca kullanım ömrünü tamamlayan elektrikli cihazlar ve piller mutlaka ayrı olarak toplanmalı ve çevre şartlarına uygun bir geri dönüşüm tesisine gönderilmelidir.

## Kullanım amacı

ENE014-1

Bu makine çitlerin budanması için tasarlanmıştır.

## AT Uygunluk Beyanı

### Sadece Avrupa ülkeleri için

AT uygunluk beyanı bu kullanım kılavuzunun Ek A'sında verilmiştir.

## Genel Elektrikli Aletler Güvenlik Uyarıları

GEA010-1

**⚠ UYARI** Tüm güvenlik uyarılarını ve tüm talimatları okuyun. Verilen uyarılara ve talimatlara uyulmaması elektrik çarpmasına, yangına ve/veya ciddi yaralanmalara yol açabilir.

## Tüm uyarıları ve talimatları ileride başvurmak üzere saklayın.

## Akülü Çit Budama Güvenlik Uyarıları

GEB062-7

1. Vücudunuzun tüm kısımlarını kesici bıçaktan uzak tutun. Bıçaklar hareket halindeyken kesilen malzemeyi çıkarmaya ve kesilecek malzemeyi tutmaya çalışmayın. Bıçaklar kapatıldıktan sonra durana kadar dönmeye devam eder. Sıkışan malzemeyi çıkarırken anahtarın kapalı konumunda olduğundan emin olun. Çit budamayı kullanırken bir anlık dikkatsizlik ciddi bir yaralanmaya sonuçlanabilir.
2. Çit budamayı, kesici bıçak durduğunda koldan tutarak taşıyın. Çit budamayı naklederken veya saklarken kesici cihaz kılıfını daima takın. Çit budamayı doğru bir şekilde kullanmak kesici bıçaklardan kaynaklanan kişisel yaralanma olasılığını azaltır.

3. Kesim bıçağı gizli kordona temas edebileceği için, elektrikli aleti sadece yalıtımlı kavrama yüzeylerinden tutun. Kesici bıçakların "akımlı" bir telle temas etmesi elektrikli aletli yalıtımsız metal kısımlarını "akımlı" hale getirebilir ve kullanıcıyı elektrik şokuna maruz bırakabilir.
4. TEHLİKE - Ellerinizi bıçaktan uzak tutun. Bıçağa temas edilmesi ciddi yaralanmaya neden olur.
5. Çit budamayı yağmura ve ıslak veya çok nemli koşullara maruz bırakmayın. Elektrikli motor su geçirmez değildir.
6. Aleti ilk kez kullanacak olanlar, budama aletini nasıl kullanabileceklerini gösteren deneyimli bir çit budama operatöründen yardım almalıdır.
7. Çit budama, çocuklar ve 18 yaşın altındaki gençler tarafından kullanılmalıdır. 16 yaşın üzerindeki gençler, bir uzmanın gözetiminde eğitim alıyorsa bu kısıtlamadan muaf tutulabilirler.
8. Çit budamayı yalnızca fiziksel durumunuz uygunsuz kullanın. Yorgunsanız dikkatiniz azalır. Özellikle çalışma gününün son saatlerinde dikkatli olun. Tüm işlerinizi sakın ve dikkatli bir şekilde yürütün. Üçüncü taraflar üzerinde meydana gelebilecek tüm zararlardan kullanıcı sorumludur.
9. Budama aletini alkol, uyuşturucu ya da ilaçların etkisi altındayken asla kullanmayın.
10. Dayanıklı deriden yapılmış iş eldivenleri çit budama aletinin temel ekipmanının parçasıdır ve bu aletle çalışırken daima giyilmelidir. Daima kaymaz tabanlı sağlam ayakkabılar giyin.
11. İşe başlamadan önce, budama aletinin iyi ve güvenli bir şekilde çalışır durumda olduğundan emin olun. Siperlerin yerine düzgün bir şekilde takıldığından emin olun. Çit budama, tam olarak monte edilmediği durumlarda kullanılmamalıdır.
12. Çalışmaya başlamadan önce, yere sağlam bastığınızdan emin olun.
13. Aleti kullanırken sıkıca tutun.
14. Aleti gereksiz yere yüksüz çalıştırmayın.
15. Kesici, tel örgüye ya da sert bir nesneye temas ederse motoru hemen kapatın ve batarya kartuşunu çıkarın. Kesiciye zarar gelip gelmediğini kontrol edin ve zarar gelmişse hemen tamir edin.
16. Kesiciyi kontrol etmeden, arızalarla ilgilenmeden ya da kesiciye takılan bir maddeyi gidermeden önce daima budama aletini kapatın ve batarya kartuşunu çıkarın.
17. Herhangi bir bakım işlemi yapmadan önce budama aletini kapatın ve batarya kartuşunu çıkarın.
18. Çit budama aletini başka bir konuma taşımadan önce ve çalışma sırasında, daima batarya kartuşunu çıkarın ve kesici bıçaklara aletlik kılıfı takın. Kesici çalışırken çit budama aletini asla taşımayın ya da nakletmeyin. Kesiciyi asla elinizle kavramayın.
19. Kullanımın ardından ve çit budama aletini uzun bir süre boyunca saklayacağınız zaman, çit budama aletini ve özellikle kesiciyi temizleyin. Kesiciyi hafifçe yağlayın ve kılıfını takın. Üniteyle birlikte verilen kılıf duvara asılabilir, çit budamayı saklamak için güvenli ve pratik bir yol sunar.

20. Çit budamayı kılıfı takılı olarak, kuru bir odada saklayın. Çocukların ulaşamayacağı yerlerde saklayın. Budama aletini asla dışarıda saklamayın.
21. Keski bıçaklarının asla kendinize veya başkalarına doğrultmayın.
22. Çalışma sırasında bıçakların arasına yabancı maddelerin sıkışmasından dolayı bıçaklar hareket etmeyi keserse aleti kapatın ve batarya kartuşunu çıkarın, ardından yabancı maddeleri pense, vb. kullanarak çıkarın. Yabancı maddelerin elle çıkarılması, yabancı maddeleri çıkarmaya tepki olarak bıçaklar hareket edebileceğinden dolayı yaralanmaya neden olabilir.

## BU TALİMATLARI SAKLAYIN.

### ⚠ UYARI

Ürünü kullanırken (defalarca kullanınca kazanılan) rahatlık ve tanıdıklık duygusunu ilgili ürünün güvenlik kurallarına sıkı sıkıya bağlı kalmanın yerine geçmesine İZİN VERMEYİN. YANLIŞ KULLANIM veya bu kullanma kılavuzunda belirtilen emniyet kurallarına uymama ciddi yaralanmaya neden olabilir.

## BATARYA KARTUŞU HAKKINDA ÖNEMLİ GÜVENLİK TALİMATLARI

ENC007-12

1. Aküyü kullanmaya başlamadan önce (1) akü şarj cihazı, (2) akü ve (3) akünün takıldığı ürüne ilişkin tüm talimatları ve uyarıları okuyun.
2. Aküyü sökmeye çalışmayın.
3. Çalışma süresinde önemli bir kısılma gözlerseniz, hemen çıkışmayı bırakın. Bu durum aşırı ısınmaya, yangına ve hatta patlamaya yol açabilir.
4. Elektrolit (akü sıvısı) gözlerinize temas ederse, bol temiz suyla yıkayın ve derhal bir doktora başvurun. Elektrolit körlüğe neden olabilir.
5. Akünün kısa devre yapmasını önleyin:
  - (1) Herhangi bir iletken nesne ile akü uçlarına dokunmayın.
  - (2) Aküyü çivi, madeni para vb. metal nesnelerin bulunduğu bir yerde saklamayın.
  - (3) Aküyü suya veya yağmura maruz bırakmayın. Aküde oluşan kısa devre büyük bir elektrik akımına, aşırı ısınmaya, yangına ve aletin bozulmasına yol açabilir.
6. Aleti ve aküyü 50°C (122°F) sıcaklığa ulaşabilecek veya bu değeri aşabilecek ortamlarda saklamayın.
7. Önemli ölçüde hasar görmüş veya tümüyle tükenmiş olsa da aküyü kesinlikle yakarak imha etmeye çalışmayın. Akü ateşe atıldığında patlayabilir.
8. Akünün düşmemesine ve darbe almamasına dikkat edin.
9. Hasarlı bir aküyü kesinlikle kullanmayın.
10. Aletin içerdiği lityum-iyon bataryalar Tehlikeli Eşyalar Yönetmeliğinin gereksinimlerine tabidir. Ticari nakliye işlemleri için, örneğin üçüncü taraflar, nakliye acenteleri tarafından yapılan nakliyelerde, paketleme ve etiketleme gereksinimlerine uyulmalıdır. Nakliyesi yapılacak ürünün hazırlanması için, tehlikeli maddeler konusunda uzman bir kişiye danışın. Lütfen muhtemelen daha ayrıntılı olan ulusal yönetmeliklere

de uyun.

Açık kontaktları bantlayın ya da maskeleyin ve bataryayı paketin içinde hareket etmeyecek şekilde paketleyin.

11. Akünün atılması sırasında ilgili yönetmeliklere uyun.
12. Aküleri sadece Makita tarafından belirtilen ürünlerle kullanın. Akülerin, uyumlu olmayan ürünlere takılması yangına, aşırı ısınmaya, patlamaya veya elektrolit sızıntısına neden olabilir.

## BU TALİMATLARI SAKLAYIN.

⚠ **DİKKAT:** Sadece orijinal Makita bataryalarını kullanın.

Orijinal olmayan Makita bataryaları ya da üzerine değişiklik yapılmış bataryaların kullanımı bataryanın patlamasına ve sonuç olarak yangın, kişisel yaralanma ve hasara neden olabilir. Ayrıca Makita aleti ve şarj aletinin Makita tarafından sunulan garantisine de geçersiz olur.

## Akünün öngörülen maksimum ömrü dolana kadar kullanılması için öneriler

1. Aküyü tamamen boşalmasını beklemeden şarj edin. Aletin çalışma gücünde bir azalma gördüğünüzde, mutlaka çalışmayı bırakıp, aküyü şarj edin.
2. Tam olarak şarj edilmiş bir aküyü tekrar şarj etmeyin. Akünün normalden fazla şarj edilmesi ömrünün kısaltır.
3. Aküyü 10°C - 40°C (50°F - 104°F) değerlerini aşmayan oda sıcaklığında şarj edin. Akü ısınmıyorsa, şarj etmeden önce soğumasını bekleyin.
4. Uzun (altı ayı aşkın) bir süredir kullanmıyorsanız aküyü şarj edin.

## KULLANIMA İLİŞKİN TANIMLAR

### ⚠ **DİKKAT:**

- Makine üzerinde ayar veya başka bir kontrol işlemi gerçekleştirmeden önce makinenin kapalı ve aküsünün çıkartılmış olduğundan emin olun.

## Akünün takılması ve çıkartılması (Şekil 1)

### ⚠ **DİKKAT:**

- Aküyü takmadan ve çıkarmadan önce mutlaka makineyi kapalı konuma getirin.
  - **Aküyü takarken ve çıkartırken makineyi ve aküyü sıkıca tutun.** Aksi takdirde, makine ve akü elinizden kayarak düşebilir ve neticesinde makine ve akü hasarları ve yaralanmalar meydana gelebilir.
- Aküyü çıkarmak için akünün ön tarafında bulunan düğmeye bastırın ve aküyü çekerek makineden çıkartın. Aküyü takmak için aküdeki dili muhafazadaki yuvayla aynı hizaya getirin ve aküyü iterek yerine oturtmasını sağlayın. Akünün tam yerine oturduğunu klik sesinden anlayabilirsiniz. Düğmenin üst tarafında bulunan kırmızı göstergesi görürseniz, akü tam olarak kilitlenmemiştir.

### ⚠ **DİKKAT:**

- Kırmızı gösterge tamamen kayboluncaya kadar aküyü itin. Aksi takdirde, akü makineden kayıp düşebilir ve

operatörün veya çevredeki kişilerin yaralanmasına neden olabilir.

- Aküyü zorlayarak takmaya çalışmayın. Akünün makineye rahatça takılamaması, yanlış takıldığını gösterir.

#### NOT:

- Makine tek bir aküyle çalışmaz.

## Makine/akü koruma sistemi

Bu makinede bir makine/akü koruma sistemi mevcuttur. Bu sistem, makine ve akü ömrünü uzatmak için motora beslenen gücü otomatik olarak keser. Makine veya akü için aşağıda sıralanan durumlardan birinin geçerli olması halinde, çalışmayı otomatik olarak durdurur. Bazı durumlarda, göstergeler sabit yanar.

## Aşırı yük koruması

Makine, anormal yüksek derecede akım çekecek şekilde çalışmaya başladığında, makine hiçbir uyarıda bulunulmaksızın otomatik olarak durdurulur. Böyle bir durumda, makineyi kapalı konuma getirin ve makinenin aşırı yüklenmesine neden olan uygulamayı durdurun. Ardından, yeniden başlatmak üzere makineyi tekrar açık konuma getirin.

## Makine/akü için aşırı ısınma koruması

Makine/akü aşırı ısındığında, makine hiçbir uyarıda bulunulmaksızın otomatik olarak durdurulur. Açma/kapama düğmesine basılsa dahi, makine çalışmaz. Böyle bir durumda, makineyi tekrar açık konuma getirirmeden önce makinenin/akünün soğumasını bekleyin.

#### NOT:

Akü aşırı ısınma koruması yalnızca üzerinde yıldız işareti bulunan akülerle çalışır. (Şekil 2)

## Aşırı deşarj koruması (Şekil 3)

Kalan pil kapasitesi düştüğünde, akü göstergesi ilgili akü tarafında yanıp sönmeye başlar. Makine, kullanılmaya devam edilmesi halinde durur ve akü göstergesi yaklaşık 10 saniye boyunca sabit yanar. Bu durumda aküyü şarj edin.

## Sapın sabitlenebileceği konumlar

#### ⚠ DİKKAT:

- Çalışmaya başlamadan önce mutlaka sapın istenen konumda kilitletiğinden emin olun. (Şekil 4) İşlemlere bağlı olarak, sap açısını sol veya sağ tarafa 45° veya 90° konumuna ayarlayabilirsiniz. Sapı çevirmek için, topuzu çekin ve sapı şekilde gösterdiği şekilde çevirin. Sap 45° konumunda kilitletir. Sapı 90° konumuna çevirmek için, topuzu tekrar çekin ve sapı çevirmeye devam edin.

## Açma/kapama işlemi

#### ⚠ DİKKAT:

- Aküyü makineye takmadan önce, açma/kapama düğmesinin kusursuz çalışıp çalışmadığını ve açma/kapama düğmesi bırakıldığında "OFF" (kapalı) konumuna dönüp dönmediğini mutlaka kontrol edin. (Şekil 5)

Güvenliğiniz için makinede bir ikili açma/kapama sistemi bulunmaktadır. Makineyi açık konuma getirmek için, kilitleme düğmesine basın ve açma/kapama düğmesi A ve B'ye basın. Makineyi kapatmak için ise açma/kapama düğmelerinden birini serbest bırakın. Makine yalnızca her iki açma/kapama düğmesine aynı anda basıldığında çalışır.

## Devir değiştirme (Şekil 6)

Dakikada darbe sayısı, ayar düğmesi çevirilerek ayarlanabilir. Bu işlem makine çalışırken de yapılabilir. Düğmede 1 (en düşük hız) ile 6 (tam hız) arasında rakamlar mevcuttur.

Ayar düğmesi üzerindeki rakamlar ile dakikada darbe sayısı arasındaki ilişki için aşağıdaki tabloya bakın.

| Ayar düğmesi üzerindeki rakam | Dakikada vuruş sayısı (dak <sup>-1</sup> ) |
|-------------------------------|--|
| 6                             | 1.800                                      |
| 5                             | 1.750                                      |
| 4                             | 1.650                                      |
| 3                             | 1.500                                      |
| 2                             | 1.300                                      |
| 1                             | 1.000                                      |

011264

#### ⚠ DİKKAT:

- Devir ayar düğmesi, 6 konumuna kadar yükseltilebilir ve geri 1 konumuna düşürülebilir. Düğmeyi 6 konumunun üzerine ve 1 konumunun altına zorlamayın, aksi takdirde devir ayar işlevi doğru çalışmayabilir.
- Dakikada darbe sayısı, akünün ve budama bıçaklarının durumuna göre değişir.

## ÇALIŞTIRMA

#### ⚠ DİKKAT:

- Budama sırasında makinenin, çit demirine veya benzeri sert bir objeye temas etmemesine dikkat edin. Aksi takdirde, bıçak kırılarak ciddi yaralanmalara yol açabilir.
- Özellikle de merdiven üzerindeyken çit budamayla ileri uzanmaya çalışmak çok tehlikelidir. Kesinlikle sallanan veya sabit olmayan platformlar üzerinde çalışmayın.

#### İKAZ:

**Bu makineyle çapı 10 mm'den büyük dal parçalarını kesmeye çalışmayın.** Bu makineyi kullanmadan önce kesim yüksekliğinin 10 cm altına kadar olan dalları dal budamayla kesin. (Şekil 7)

#### ⚠ DİKKAT:

- Ölü ağaç parçaları veya benzeri sert objeleri kesmeye çalışmayın. Aksi takdirde, makine hasar görebilir. (Şekil 8)

Çit budamayı her iki elinizle kavradıktan sonra açma/kapama düğmesi A veya B'ye basın ve makineyi vücudunuzun önünde tutun. (Şekil 9)

Temel bir çalışma ilkesi olarak, bıçakları budama yönüne eğimli tutun ve makineyi, 3 ila 4 saniyede bir metre budayacak bir hızda sakın ve yavaş bir şekilde hareket ettirin. (Şekil 10)

İstenen çit yüksekliğine bir ip bağlanması ve budama işleminin bu ip referans alınarak gerçekleştirilmesi çitin üst kısmının eşit uzunlukta kesilmesine yardımcı olur.

#### (Şekil 11)

Çitler düz budanırken makineye bir artık toplayıcının (opsiyonel aksesuar) takılması, kesilen yaprakların etrafına dağılmasını önleyebilir. (Şekil 12)

Çalışmaya başlamadan önce sapın konumunu rahat çalışabilecek şekilde ayarlayın. Bunun için, "Sapın sabitlenebileceği konumlar" başlıklı bölüme bakın. Çitin yan kısmının eşit uzunlukta kesilmesi için, aşağıdan yukarıya doğru çalışılması yararlı olabilir. (Şekil 13) Çalı veya orman güllerini alttan yukarı doğru budayarak hoş bir görünüm elde edebilirsiniz.

## Atık toplayıcının (opsiyonel aksesuar) takılması ve sökülmesi

### ⚠ DİKKAT:

- Atık toplayıcıyı takıp çıkarmadan önce makinenin kapalı ve aküsünün çıkartılmış olduğundan emin olun.

### NOT:

- Atık toplayıcıyı değiştirirken daima eldiven takın, böylece elleriniz ve yüzünüz bıçakla doğrudan temas etmeyecektir. Aksi takdirde, yaralanmalar meydana gelebilir.
- Atık toplayıcıyı takmadan önce, bıçak kapağının çıkartıldığından emin olun.
- Atık toplayıcı, kesilen yaprakları toplar ve böylece yaprakların etrafına saçılmasını azaltır. Makinenin her iki tarafına da takılabilir. (Şekil 14)

Atık toplayıcıyı, boşluk kısımları budama bıçakları üzerindeki somunlara karşılık gelecek şekilde budama bıçaklarına bastırın. Bu sırada atık toplayıcının budama bıçakları üzerindeki dal tutucuyla temas etmediğinden emin olun. (Şekil 15)

Atık toplayıcı, kancaları budama bıçağı tertibatı üzerindeki yuvalara oturacak şekilde takılmalıdır. (Şekil 16) Atık toplayıcıyı çıkarmak için, her iki tarafındaki tırnağına bastırarak kancaların serbest kalmasını sağlayın. (Şekil 17)

### ⚠ DİKKAT:

- Bıçak kapağı ile atık toplayıcı aynı anda takılamaz. Makineyi taşımadan veya depoya kaldırmadan önce, atık toplayıcıyı çıkartın ve ardından, bıçağın açıkta kalmaması için bıçak kapağını takın.

### NOT:

- Kullanmaya başlamadan önce, atık toplayıcının sağlam şekilde takıldığını kontrol edin.
- Kancalar bıçak tertibatı yuvalarına takılıyken kesinlikle aşırı kuvvet kullanarak atık toplayıcıyı çıkarmaya çalışmayın. Aşırı kuvvet uygulanması, hasar verebilir.

## BAKIM

### ⚠ DİKKAT:

- Makinede herhangi bir kontrol veya bakım işlemine başlamadan önce makinenin kapalı ve aküsünün çıkartılmış olduğundan emin olun.
- Kesinlikle gazolin, benzin, tiner, alkol veya benzeri bir madde kullanmayın. Aksi takdirde renk bozulması, deformasyon veya çatlaklar meydana gelebilir.

## Makinenin temizlenmesi

Makine üzerindeki tozları kuru veya sabunlu bezle temizleyin.

## Bıçak bakımı

Kullanmaya başlamadan önce ve her saat başı bıçağı makine yağı veya muadili bir yağla tamamen yağlayın.

### NOT:

- Bıçağı yağlamadan önce, atık toplayıcıyı çıkartın. Çalışma sonunda, bıçağın her iki tarafındaki tozları bir tel fırça yardımıyla temizleyin, bıçağı bir bezle silin ve ardından makine yağı veya sprey tipi yağlama yağı gibi düşük viskoziteli bir yağla iyice yağlayın.

### ⚠ DİKKAT:

- Bıçakları suda yıkamayın. Aksi takdirde, makine paslanabilir veya hasar görebilir.

### İKAZ:

**Budama bıçakları dışında krank gibi diğer parçaların aşınması halinde parça değişimi veya onarımlar için Makita Yetkili Servis Merkezlerine başvurun.**

## Budama bıçağının sökülmesi ve takılması

### ⚠ DİKKAT:

- Budama bıçaklarını takıp çıkarmadan önce mutlaka makinenin kapalı ve aküsünün çıkartılmış olduğundan emin olun.
- Budama bıçağını değiştirirken, bıçak kapağını açmadan önce mutlaka koruyucu eldiven takın, böylece elleriniz ve yüzünüzün doğrudan bıçağa temas etmesini önlemiş olursunuz. Aksi takdirde, yaralanmalar meydana gelebilir.

### NOT:

- Dişli ve kranktaki gresi silmeyin. Aksi takdirde, makine hasar görebilir.
- Budama bıçaklarının farklı şekilde çıkartılması ve takılmasıyla ilgili bilgi için, budama bıçağı aksesuarının paketinin arkasına bakın.

## Budama bıçaklarının çıkartılması

Makineyi ters çevirin ve dört vidayı gevşetin. (Şekil 18)

### NOT:

- Budama bıçağı hareket alanına gres uyguladığından, ellerinizin kirlenmemesine dikkat edin.

Alt kapağı çıkartın. (Şekil 19)

Plakayı çıkartın. (Şekil 20)

Krankı düz uçlu bir tornavida kullanarak şekilde

gösterildiği gibi ayarlayın. (Şekil 21)

Budama bıçaklarını tutan iki vidayı sökün; ardından budama bıçağı ünitesi çıkacaktır. (Şekil 22)

### ⚠ DİKKAT:

- Dişliyi, daha önce takıldığı gibi yanlışlıkla çıkmayacak şekilde başlangıçtaki konumuna geri getirin.

## Budama bıçaklarının takılması

Çıkartılan 4 adet vidayı (Alt kapak için), 2 vidayı (Budama bıçağı için), plakayı, alt kapağı ve yeni budama bıçaklarını hazırlayın.

Krank konumunu şekilde gösterildiği gibi ayarlayın. Bu sırada krank çevresine yeni budama bıçaklarıyla birlikte verilen gresten bir miktar uygulayın. (Şekil 23)

Üst bıçaktaki oval deliği alt bıçaktaki delikle aynı hizaya getirin. **(Şekil 24)**

Eski budama bıçaklarındaki bıçak kapağını çıkartın ve bıçakların değiştirilmesi sırasında rahat hareket etmek için yeni budama bıçaklarına takın. **(Şekil 25)**

Yeni budama bıçaklarını, üzerindeki oval delikler kranka tam olarak oturacak şekilde makineye yerleştirin. Budama bıçakları üzerindeki delikleri makine üzerindeki vida delikleriyle aynı hizaya getirin ve ardından kesici bıçakları iki vidayla sabitleyin. **(Şekil 26)**

Düz uçlu bir tornavidayla krankın sorunsuz çalışıp çalışmadığını kontrol edin. **(Şekil 27)**

Plakayı ve alt kapağı makineye takın. Vidayı sağlam şekilde sıkın.

#### NOT:

- Plakanın üstü ile altı arasında bir fark yoktur. Bıçak kapağını çıkartın ve ardından doğru hareket ettiğinden emin olmak için makineyi çalıştırın.

#### NOT:

- Budama bıçakları doğru şekilde çalışmıyorsa, bıçaklar ile krank birbirine tam olarak oturmamış olabilir. Bu durumda işlemleri baştan tekrarlayın.

## Karbon fırçaların değiştirilmesi (Şekil 28)

Karbon fırçaları düzenli olarak çıkartın ve kontrol edin. Sınır çizgisine kadar aşınan karbon fırçaları değiştirin. Karbon fırçaları yuvanın içinde kayabilecek şekilde temiz tutun. Her iki karbon fırça aynı anda değiştirilmelidir. Aşınan karbon fırçaları mutlaka aynı tipte fırçalar ile değiştirin. **(Şekil 29)**

Düz uçlu bir tornavidayı makine üzerindeki girintiye yerleştirerek yuva kapağını kaldırın. **(Şekil 30)** Fırça yuvası kapaklarını açmak için düz uçlu bir tornavida kullanın. Aşınmış karbon fırçaları çıkartın ve yenilerini taktıktan sonra fırça yuvası kapaklarını geri vidalayın. Yuva kapağını tekrar yerine takın.

## Saklama

Bıçak kapağının altındaki kanca deliği makinenin duvardaki bir çiviye veya vidaya asılması için uygundur.

### (Şekil 31)

Aküyü çıkartın ve budama bıçaklarının açıkta kalmaması için kapaklarını kapatın. Makineyi çocukların ulaşmayacağı bir yere dikkatlice kaldırın.

Makineyi suya veya yağmura maruz kalmayacağı bir yerde saklayın.

Ürünün EMNİYETLİ ve GÜVENİLİR durumda kalmasını sağlamak için tüm onarımlar, bakım ve ayarlar Makita yetkili servisleri veya fabrika servis merkezleri tarafından Makita yedek parçaları kullanılarak yapılmalıdır.

## OPSİYONEL AKSESUARLAR

### ⚠ DİKKAT:

- Bu kullanım kılavuzunda tanıtilan Makita marka makineyle aşağıdaki aksesuarların ve parçaların kullanılması önerilir. Bunların dışında başka aksesuarların veya parçaların kullanılması yaralanmalara yol açabilir. Aksesuarlar ve parçalar doğru şekilde ve öngörüldükleri işlevler için kullanılmalıdır.

Aksesuarlara ilişkin daha ayrıntılı bilgi almak için size en yakın yetkili Makita servisine başvurabilirsiniz.

- Bıçak kapağı
- Budama bıçağı tertibatı
- Orijinal Makita akü ve şarj cihazı
- Atık toplayıcı

#### NOT:

- Listedeki bazı parçalar makineyle birlikte standart aksesuar olarak verilebilir. Ürünle verilen aksesuarlar ülkeden ülkeye farklılıklar gösterebilir.

Makita Europe N.V.

Jan-Baptist Vinkstraat 2,  
3070 Kortenbergh, Belgium

Makita Corporation

3-11-8, Sumiyoshi-cho,  
Anjo, Aichi 446-8502 Japan