

A5 (148X 210mm)成册,
黑白印刷,
128G 铜版纸

Lenco

Model: SPR-070



USER MANUAL	Water resistant portable high power boombox with radio, BT, USB and SD
HANDLEIDING	Waterbestendige draagbare boombox met hoog vermogen, radio, BT, USB en SD
BEDIENUNGSANLEITUNG	Wasserbeständiges tragbares boombox mit startker leistung, radio, BT, USD und SD
MODE D'EMPLOI	Boombox portable haute puissance resistant a l'eau avec radio, BT, USB et SD
MANUAL DEL USUARIO	Radiocasete resistente al agua portátil de alta potencia con BT, USB y SD

Index:

English.....	3
Nederlands.....	11
Deutsch.....	20
Français.....	28
Español.....	36

CAUTION:

Usage of controls or adjustments or performance of procedures other than those specified herein may result in hazardous radiation exposure.

This unit should not be adjusted or repaired by anyone except qualified service personnel.

PRECAUTIONS BEFORE USE**KEEP THESE INSTRUCTIONS IN MIND:**

1. Clean only with a slightly damp cloth.
2. Do not cover or block any ventilation openings. When placing the device on a shelf, leave 5 cm (2") free space around the whole device.
3. Install in accordance with the supplied user manual.
4. * Don't step on or pinch the power adaptor. Be very careful, particularly near the plugs and the cable's exit point. Do not place heavy items on the power adaptor, which may damage it. Keep the entire device out of children's reach! When playing with the power cable, they can seriously injure themselves.
5. * Unplug this device during lightning storms or when unused for a long period.
6. Keep the device away from heat sources such as radiators, heaters, stoves, candles and other heat-generating products or naked flame.
7. Avoid using the device near strong magnetic fields.
8. Electrostatic discharge can disturb normal usage of this device. If so, simply reset and restart the device following the instruction manual. During file transmission, please handle with care and operate in a static-free environment.
9. Warning! Never insert an object into the product through the vents or openings. High voltage flows through the product and inserting an object can cause electric shock and/or short circuit internal parts. For the same reason, do not spill water or liquid on the product.
10. Although this device is manufactured with the utmost care and checked several times before leaving the factory, it is still possible that problems may occur, as with all electrical appliances. If you notice smoke, an excessive build-up of heat or any other unexpected phenomena, you should disconnect the plug from the main power socket immediately.
11. This device must operate on a power source as specified on the specification label. If you are not sure of the type of power supply used in your home, consult your dealer or local power company.
12. * The socket outlet must be installed near the equipment and must be easily accessible.
13. * Do not overload ac outlets or extension cords. Overloading can cause fire or electric shock.
14. * Devices with class 1 construction should be connected to a main socket outlet with a protective earthed connection.
15. * Devices with class 2 construction do not require a earthed connection.
16. Keep away from rodents. Rodents enjoy biting on power cords.
17. * Always hold the plug when pulling it out of the main supply socket. Do not pull the power cord. This can cause a short circuit.
18. Avoid placing the device on any surfaces that may be subject to vibrations or shocks.
19. To clean the device, use a soft dry cloth. Do not use solvents or petrol based fluids. To remove severe stains, you may use a damp cloth with dilute detergent.
20. The supplier is not responsible for damage or lost data caused by malfunction, misuse, modification of the device or battery replacement.
21. Do not interrupt the connection when the device is formatting or transferring files. Otherwise, data may be corrupted or lost.
22. If the unit has USB playback function, the usb memory stick should be plugged into the unit directly. Don't use an usb extension cable because it can cause interference resulting in failing of data.
23. The apparatus shall not be exposed to dripping or splashing and make sure that no objects filled with liquids, such as vases, are placed on or near the apparatus.
24. * To completely disconnect the power input, the mains plug of the apparatus shall be disconnected from the mains, as the disconnect device is the mains plug of apparatus.

25. If the unit works with battery, Battery shall not be exposed to excessive heat such as sunshine, fire or the like.
26. Attention should be drawn to the environmental aspects of battery disposal.
27. The apparatus can only be used in moderate extremely cold or climates warm environments should be avoided.
28. The rating label has been marked on the bottom or back panel of the apparatus.
29. This device is not intended for use by people (including children) with physical, sensory or mental disabilities, or a lack of experience and knowledge, unless they're under supervision or have received instructions about the correct use of the device by the person who is responsible for their safety.
30. This product is intended for non professional use only and not for commercial or industrial use.
31. Make sure the unit is adjusted to a stable position. Damage caused by using this product in an unstable position or by failure to follow any other warning or precaution contained within this user manual will not be covered by warranty.
32. Never remove the casing of this apparatus.
33. Never place this apparatus on other electrical equipment.
34. Do not use or store this product in a place where it is subject to direct sunlight, heat, excessive dust or vibration.
35. Do not allow children access to plastic bags.
36. Only use attachments/accessories specified by the manufacturer.
37. Refer all servicing to qualified service personnel. Servicing is required when the apparatus has been damaged in any way, such as the power supply cord or the plug, when liquid has been spilled or objects have fallen into the apparatus, when the apparatus has been exposed to rain or moisture, does not operate normally, or has been dropped.
38. * Do not use a damaged power cord or plug or a loose outlet. Doing so may result in fire or electric shock.
39. Prolonged exposure to loud sounds from personal music players may lead to temporary or permanent hearing loss.

INSTALLATION

- Unpack all parts and remove protective material.
- * Do not connect the unit to the mains before checking the mains voltage and before all other connections have been made.

*** Those instruction are related only to products using power cable or AC power adaptor.**

FEATURES:

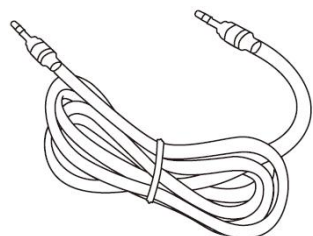
1. 2.0CH portable Bluetooth waterproof speaker
2. Water resistant IPX5, splash-proof, rainproof, Perfect for beach, poolside, boat and more outdoor activities;
3. Dedicated button for TWS function, achieve true wireless Bluetooth playing with double enhanced stereo sound;
4. With A2DP Bluetooth, wireless stream music from any Bluetooth-enabled device such as your mobile phone, notebook, iPhone or iPad
5. Bluetooth operating range 10 meters;
6. With USB and Micro SD card supporting;
7. With FM radio
8. With Line-in function, suitable for PC, MID, TV and other audio devices;
9. Built-in lithium rechargeable battery 3000mAh
10. With handle, easy to take out.

Accessories:

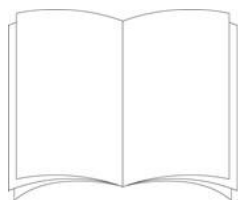
Charging cable



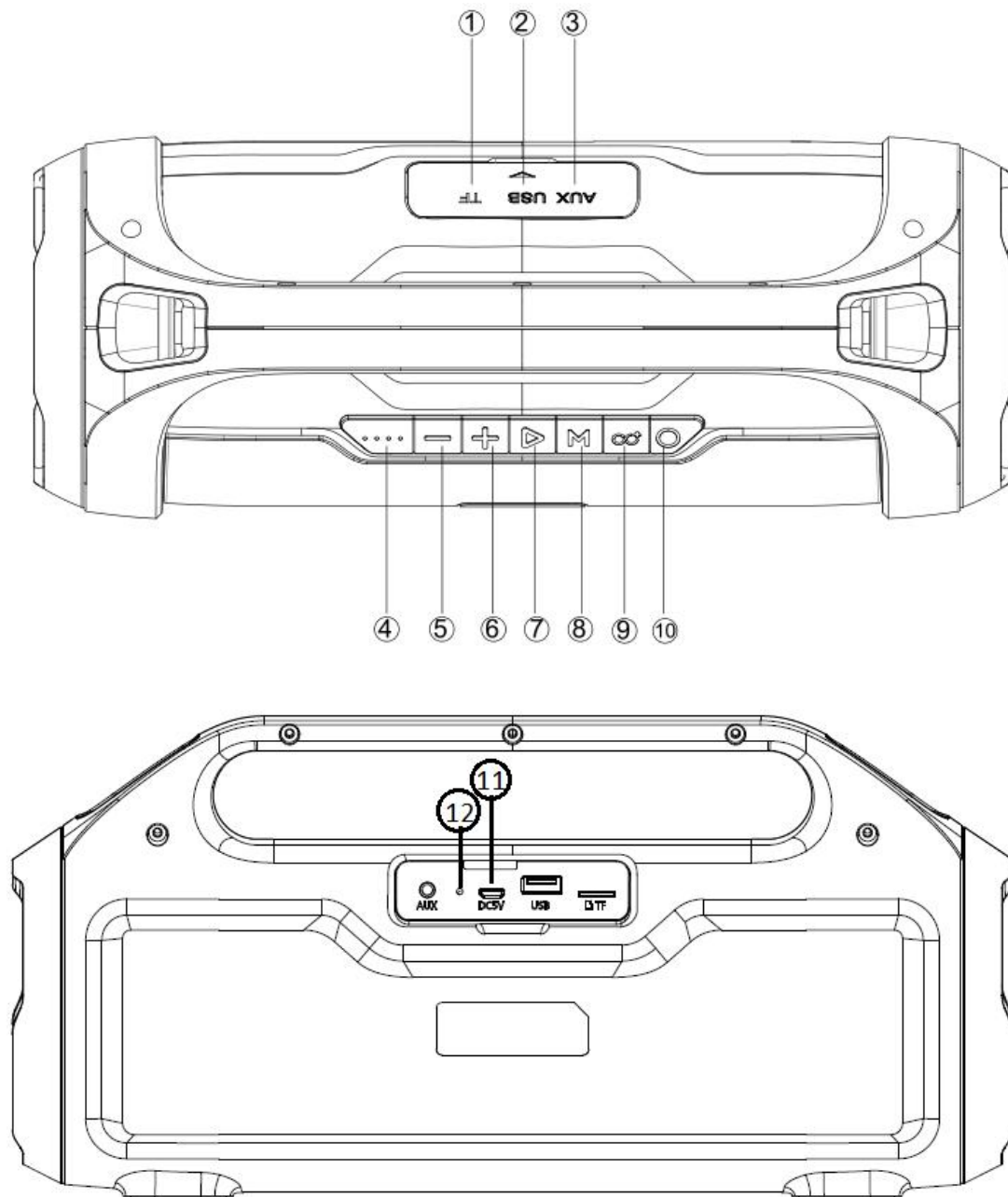
3.5mm Jack / Jack cable



User Manual



Controls:



1. Micro SD slot
2. USB Port
3. AUX Input
4. Battery Indicator
5. Backward/Volume down
6. Forward/Volume Up
7. Play/Pause
8. Mode (Switch Bluetooth, USB disk, Micro SD, FM and AUX-IN)
9. TWS On/Off
10. Power On/Off
11. Micro USB charging port
12. Charging LED

Bluetooth:

1. Switch on the unit by long pressing the power On/Off button (10). The button will light up in blue then starts to flash. A message “the Bluetooth device is ready to pair” will sound.
2. Activate the Bluetooth of your mobile phone and scan for Bluetooth devices, select the device named “Lenco SPR-070” and connect to it. If the connection is successfully made, the blue power button light will stop flashing and you will hear “the Bluetooth Device is Connected Successfully”.
3. Now you can play music from your mobile phone/tablet/computer
4. Long press the + (6) or - (5) button on the device to change to another music track.
5. Press the Play/Pause button (7) on the device to Play/Pause the music.
6. Short press the + (6) or - (5) button to adjust the volume up and down. (Or adjust the mobile phones’ volume).

*“This product has a Bluetooth **reception** function, **you can’t transmit any Bluetooth sound with it:** this means that you can receive a Bluetooth sound signal from an external source like a smartphone.”*

Playing music from Micro SD (TF) memory card or USB memory stick

1. Long press the Power button (10) to switch the unit on (if not already on).
2. Insert a Micro SD (TF) card (1) or USB memory stick (2) on the back of the unit. The speaker will say “SD card” when a micro SD card is inserted or “USB” when a USB memory stick is inserted. The music will start automatically.
3. When playing music, long press the + (6) or – (5) button to go to the next/previous song. **Short** press the + (6) or – (5) button to adjust the volume up or down.
4. Press Play/Pause (7) to play/pause the current music track.

NOTE: if a SD (TF) CARD or USB memory stick is inserted when Bluetooth mode is active and playing music, Bluetooth mode will exit and switches to the USB or Micro SD card play mode. You can press the MODE button (8) to switch back to Bluetooth mode again.

FM Radio:

1. Multiple Press the mode button (8) until you hear “Radio mode”.
2. Now you can long press the Play/Pause button (7) to start an automatic channel search with automatic store.
3. When the automatic search is done, you can switch the found channels by pressing the + (6) or – (5) buttons.

Note: if your favorite radio station can’t be received or reception is with noise You can rotate the SPR-070 unit to change the reception quality. (The SPR-070 has an internal antenna). You can also use the supplied 3.5mm jack cable as an extra antenna. Insert it into the aux port and alter the cable position for better reception.

TWS (True Wireless Stereo) Function:

With the TWS function you can combine 2 identical SPR-070 speakers as a wireless stereo speaker set.

To do this:

1. Turn on the two Lenco SPR-070 speakers which you want to setup. Both have to be in Bluetooth mode.
2. Press the “TWS” button (9) on one unit. The speaker will make a “di” tone when it starts pairing. It will make a “di” sound 3 times when pairing was successful. (The TWS buttons on both devices will light continuously)
3. Make a Bluetooth connection with your mobile phone/tablet/computer (if not already made) to play music through the TWS paired Speakers.
4. When you want to exit the TWS mode, press the “TWS” button (9) on one of the units again to exit the TWS function. The TWS light will go out.

NOTE: the TWS function can only be used in Bluetooth mode.

AUX-IN:

For other music devices or MP3/MP4 players with a 3.5mm jack connection, use the supplied audio line cable (3.5mm jack) to connect from the device’s “Line Out” or “Headphone” to the “Aux In” of this device, the speaker will prompt “Auxiliary”. When using an external device, all functions can be controlled by the external device.

Remarks:

1. When the Lenco SPR-070 has a Bluetooth connection with your mobile phone, there will be a battery icon on your connected mobile phone/tablet showing the speakers battery charge.
2. Press the MODE button to switch the different modes, the order is Bluetooth, USB disk, Micro SD, FM radio and AUX-IN.
3. User can long press the TWS button to disconnect the previous connected Bluetooth device and enter Bluetooth pairing mode.
4. Default volume is at 50% status of max volume;
5. Long press the Mode button (8) to turn the RGB LED lights on/off;
6. Turn off the device when not in use to save battery life.

Charging the battery

1. A mains charger is not included in the package. Please use a universal 5V/1A micro USB charger to charge this device. (Lenco can’t be held responsible for any damage caused by using a wrong type of charger)
2. Power off the unit, put the included micro usb charge cable into the charge slot of the unit, connect the other end to a usb charger with 5V/1A output (or use a usb port of a computer, but charging will take longer)
3. Charge time will be ~4-6 hours. The red led is on while charging and will turn off when the battery is fully charged.

4. The 4 white LEDs on front left (4) show the battery remaining power. If the battery power is low, the red charging led, next to the micro USB connector on the back panel, will start to flash and a message “low battery” will be hearable. Please charge the battery.

SPECIFICATIONS:

1. Bluetooth version: 5.0
2. Speaker size: 3 inch x 2
3. Music output: 2 x 12W RMS
4. Battery Capacity: 7.4V 3000mAh
5. Frequency Response: 100Hz-16KHz
6. Playtime battery: up to 15 hours at 30% of volume
7. Product size: 354 (L) x 138 (W) x 183 (H)mm

Guarantee

Lenco offers service and warranty in accordance to European law, which means that in case of repairs (both during and after the warranty period) you should contact your local dealer.

Important note: It is not possible to send products that need repairs to Lenco directly.

Important note: If this unit is opened or accessed by a non-official service center in any way, the warranty expires.

This device is not suitable for professional use. In case of professional use, all warranty obligations of the manufacturer will be voided.

Disclaimer

Updates to Firmware and/or hardware components are made regularly. Therefore some of the instruction, specifications and pictures in this documentation may differ slightly from your particular situation. All items described in this guide for illustration purposes only and may not apply to particular situation. No legal right or entitlements may be obtained from the description made in this manual.

Disposal of the Old Device



This symbol indicates that the relevant electrical product or battery should not be disposed of as general household waste in Europe. To ensure the correct waste treatment of the product and battery, please dispose them in accordance to any applicable local laws of requirement for disposal of electrical equipment or batteries. In so doing, you will help to conserve natural resources and improve standards of environmental protection in treatment and disposal of electrical waste (Waste Electrical and Electronic Equipment Directive).

CE Marking

Hereby, Lenco Benelux B.V., Thermiekstraat 1a, 6361 HB Nuth, The Netherlands, declares that this product is in compliance with the essential EU directive requirements.

The declaration of conformity may be consulted via techdoc@commaxxgroup.com



Service

For more information and helpdesk support, please visit www.lenco.com

Lenco Benelux BV, Thermiekstraat 1a, 6361 HB, The Netherlands.

LET OP:

Gebruik van bedieningen of afstellingen of uitvoer van procedures anders dan gespecificeerd in deze documentatie kan leiden tot blootstelling aan schadelijke straling.

Dit apparaat dient uitsluitend te worden aangepast of gerepareerd door gekwalificeerd onderhoudspersoneel.

VOORZORGSMAATREGELEN VOOR GEBRUIK**ONTHOUD DE VOLGENDE INSTRUCTIES:**

1. Reinig het uitsluitend met een licht vochtige doek.
2. Bedek of blokkeer de ventilatieopeningen niet. Wanneer u het apparaat op een schap plaatst, dient u 5 cm (2") vrije ruimte rondom het gehele apparaat te behouden.
3. Installeer het product volgens de meegeleverde gebruikershandleiding.
4. Nooit op de stroomadapter stappen of deze indrukken. Wees voornamelijk voorzichtig in de buurt van de stekkers en het punt waar de kabel uit het apparaat komt. Plaats geen zware voorwerpen op de stroomadapter, om beschadiging ervan te voorkomen. Houd het gehele apparaat buiten bereik van kinderen! Wanneer kinderen met de voedingskabel spelen, kunnen zij ernstig letsel oplopen.
5. Haal de stekker uit het stopcontact tijdens onweer of wanneer u deze langere tijd niet gebruikt.
6. Houd het apparaat uit de buurt van hittebronnen, zoals radiatoren, verwarmingen, kachels, kaarsen en andere hittegenererende producten of open vuur.
7. Gebruik dit apparaat niet in de buurt van krachtige magnetische velden.
8. Elektrostatische ontlading kan normaal gebruik van dit apparaat verstoren. U hoeft het apparaat in dit geval slechts te resetten en opnieuw op te starten volgens de gebruikershandleiding. Wees voorzichtig tijdens bestandsoverdracht en gebruik het product in een omgeving zonder statische interferentie.
9. Waarschuwing! Steek nooit een voorwerp via de ventilatie- of andere openingen in het product. Er is hoogspanning in het product aanwezig en als u er een object insteekt, kan dat een elektrische schok veroorzaken en/of kortsluiting in de interne onderdelen. Mors om dezelfde reden geen water of vloeistof op het product.
10. Alhoewel dit apparaat met grote zorg gefabriceerd en verschillende keren geïnspecteerd is voordat het de fabriek verlaat, is het nog steeds mogelijk dat er problemen optreden, zoals met alle elektrische apparaten. Als u rook, een overmatige hitteontwikkeling of enig ander onverwacht verschijnsel opmerkt, moet u onmiddellijk de stekker van het netsnoer uit het stopcontact halen.
11. Dit apparaat moet werken op een voedingsbron, zoals aangegeven op het specificatieplaatje. Als u twijfelt over het type voeding dat gebruikt wordt in uw huis, raadpleeg dan uw dealer of plaatselijk energiebedrijf.
12. Het stopcontact moet in de buurt van de apparatuur zijn geïnstalleerd en eenvoudig te bereiken zijn.
13. Overbelast stopcontacten of verlengsnoeren niet. Overbelasting kan brand of een elektrische schok veroorzaken.
14. Apparaten met een Klasse 1 structuur dienen te worden aangesloten op een stopcontact met een beschermende aardverbinding.
15. Apparaten met een Klasse 2 structuur vereisen geen aardverbinding.
16. Houd het uit de buurt van knaagdieren. Knaagdieren knauwen graag aan voedingskabels.
17. Houd altijd de stekker vast wanneer u deze uit het stopcontact trekt. Trek nooit aan de voedingskabel. Dit kan tot een kortsluiting leiden.
18. Vermijd om het toestel te plaatsen op een ondergrond die blootgesteld kan worden aan trillingen of schokken.
19. Gebruik een zacht, droog doekje om het apparaat te reinigen. Gebruik geen oplosmiddelen of op benzine gebaseerde vloeistoffen. U kunt een vochtig doekje met verdund schoonmaakmiddel gebruiken om hardnekkige vlekken te verwijderen.

20. De leverancier is niet verantwoordelijk voor schade of verloren gegevens veroorzaakt door storing, misbruik, modificatie van het apparaat of batterijvervanging.
21. Onderbreek nooit de verbinding wanneer het apparaat formatteert of bestanden overdraagt. De gegevens kunnen anders corrupt of verloren raken.
22. Indien het apparaat een USB-afspeelfunctie heeft, moet de USB-geheugenstick rechtstreeks op het apparaat worden aangesloten. Gebruik geen USB-verlengkabel, omdat die kan leiden tot storingen met foutieve gegevens als gevolg.
23. Het apparaat mag niet worden blootgesteld aan druppels of spatten en zorg ervoor dat er geen met vloeistof gevulde voorwerpen, zoals vazen, op of nabij het apparaat zijn geplaatst.
24. Om de verbinding met de stroomaansluiting volledig te verbreken, moet de stekker van het apparaat uit het stopcontact worden gehaald, omdat de stekker van het apparaat de hoofdschakelaar is.
25. Indien het apparaat op batterijen kan werken, dan mogen de batterijen niet aan overmatige hitte, zoals zonlicht, open vuur e.d. worden blootgesteld.
26. Aandacht voor het milieu is nodig bij het verwijderen van de batterijen.
27. Het apparaat kan alleen worden gebruikt in gematigde klimaten. Extreem koude of warme omgevingen moeten worden vermeden.
28. Het nominale specificatielabel is te vinden op het paneel aan de onder- of achterkant van het apparaat.
29. Dit apparaat is niet bestemd voor gebruik door mensen (inclusief kinderen) met fysieke, zintuiglijke of geestelijke gebreken of gebrek aan kennis en ervaring, tenzij zij onder toezicht staan of instructies hebben over het juiste gebruik van het apparaat hebben gekregen van de persoon die verantwoordelijk is voor hun veiligheid.
30. Dit product is alleen voor niet-professioneel gebruik bedoeld en niet voor commercieel of industrieel gebruik.
31. Verzeker u ervan dat het apparaat in een stabiele positie staat opgesteld. Schade, veroorzaakt door het gebruik van dit product in een onstabiele positie, of door het niet naleven van waarschuwingen of voorzorgsmaatregelen genoemd in deze handleiding, valt niet onder de garantie.
32. Verwijder nooit de behuizing van dit apparaat.
33. Plaats dit apparaat nooit op andere elektrische apparatuur.
34. Dit product niet gebruiken of opslaan op plaatsen waar het wordt blootgesteld aan direct zonlicht, hitte, buitensporig veel stof of trillingen.
35. Geef kinderen geen gelegenheid in aanraking met plastic zakken te komen.
36. Gebruik uitsluitend uitbreidingen/accessoires gespecificeerd door de fabrikant.
37. Laat alle reparaties over aan gekwalificeerd onderhoudspersoneel. Onderhoud is vereist als het toestel hoe dan ook is beschadigd, zoals bijvoorbeeld het netsnoer of de stekker, wanneer er vloeistof of een voorwerp in het apparaat is terechtgekomen, wanneer het apparaat is blootgesteld aan regen of vocht, als het niet normaal werkt of is gevallen.

38. Gebruik nooit een beschadigde voedingskabel of stekker of een los stopcontact. Dit vormt namelijk een risico op brand of elektrische schokken.

39. Langdurige blootstelling aan luid geluid van persoonlijke muziekspekers kan leiden tot tijdelijke of permanente gehoorbeschadiging.

INSTALLATIE

- Pak alle onderdelen uit en verwijder de beschermende materialen.
 - * Sluit het apparaat niet aan op het stopcontact, voordat u de netspanning hebt gecontroleerd en voordat alle andere aansluitingen zijn gemaakt.
- * **Deze instructies zijn enkel van toepassing voor producten met een voedingskabel of een AC voedingsadapter.**

EIGENSCHAPPEN:

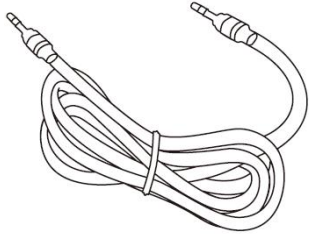
1. 2.0-kanaals draagbare Bluetooth waterdichte luidspreker
2. Waterbestendig IPX5, spatwaterdicht, regendicht, perfect voor strand, zwembad, boot en meer buitenactiviteiten;
3. Speciale knop voor TWS-functie, realtime draadloos afspelen via Bluetooth met dubbel verbeterd stereogeluid;
4. Met A2DP Bluetooth streamt u draadloos muziek vanaf elk Bluetooth-apparaat zoals uw mobiele telefoon, notebook, iPhone of iPad
5. Werkbereik Bluetooth 10 meter;
6. Met ondersteuning van USB en Micro SD-kaart;
7. Met FM-radio
8. Met Lijn-in-functie, geschikt voor pc, MID, tv en andere audio-apparaten;
9. Ingebouwde oplaadbare lithium-batterij 3000 mAh
10. Met handvat, eenvoudig mee te nemen.

Accessoires:

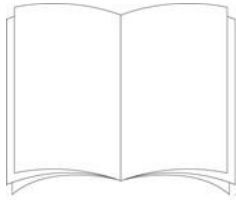
Oplaadkabel



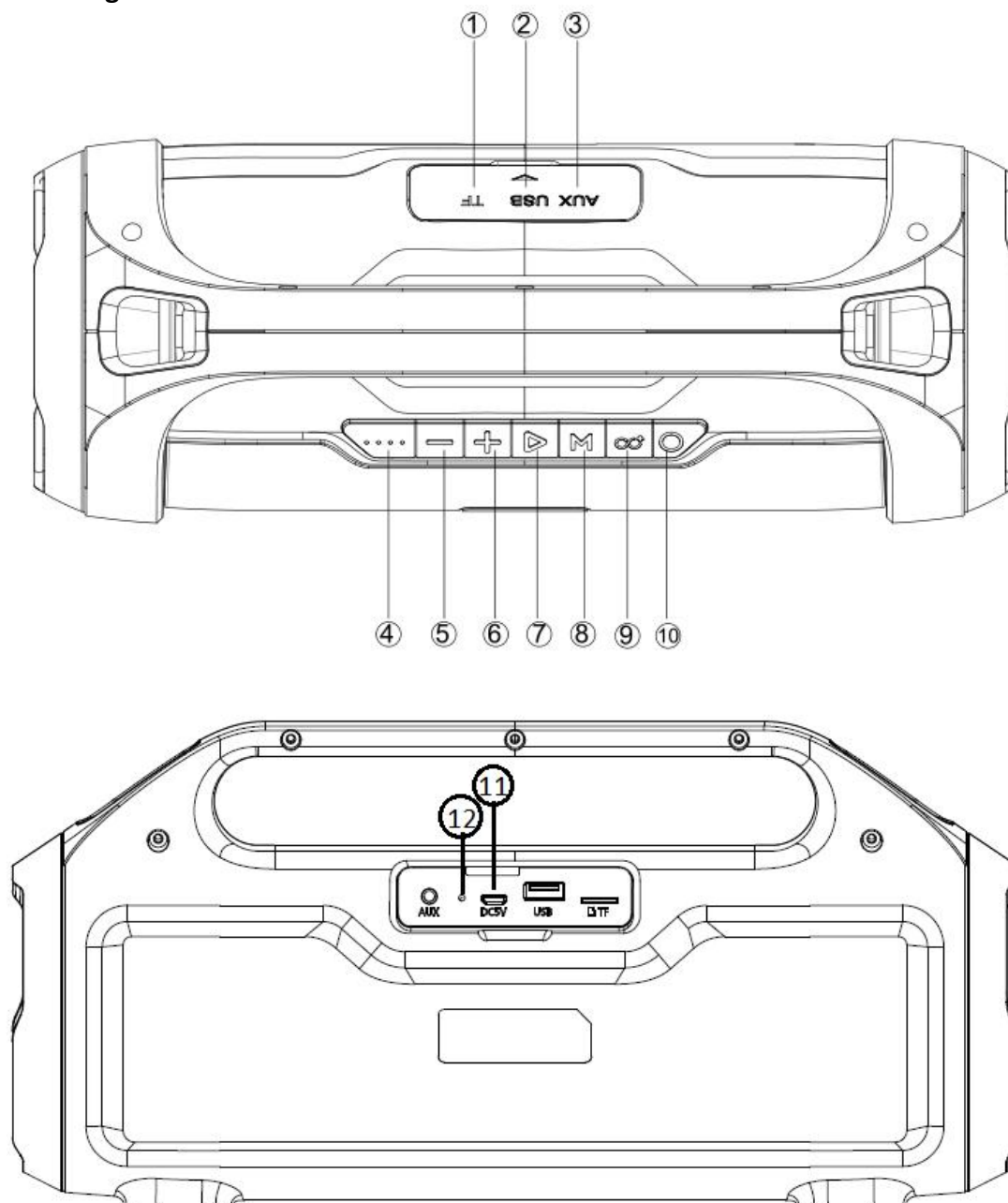
3,5 mm-kabel mannelijk/mannelijk



Handleiding



Bedieningen:



1. MicroSD-sleuf
2. USB-poort
3. AUX-ingang
4. Batterij-indicator
5. Terug/Volume omlaag
6. Vooruit/Volume omhoog
7. Afspelen/Pauze
8. Modus (schakelen Bluetooth, USB-schijf, Micro SD, FM en AUX-IN)
9. TWS Aan/Uit
10. Aan-/uitzetten
11. MicroUSB-laadpoort
12. Oplaad-LED

Bluetooth:

1. Schakel het apparaat in door lang op de aan-/uitknop (10) te drukken. De knop licht blauw op en begint te knipperen. Het bericht "the Bluetooth device is ready to pair (het Bluetooth-apparaat is klaar om te koppelen)" klinkt.
2. Activeer de Bluetooth van uw mobiele telefoon en zoek Bluetooth-apparaten, selecteer het apparaat met de naam "Lenco SPR-070" en maak hiermee verbinding. Als de verbinding tot stand is gebracht, dan stopt het blauwe lampje van de aan-/uitknop met knipperen en hoort u "the Bluetooth Device is Connected Successfully (het Bluetooth-apparaat is succesvol verbonden)".
3. Nu kunt u muziek afspelen vanaf uw mobiele telefoon/tablet/computer
4. Druk lang op de knop + (6) of - (5) op het apparaat om naar een ander muzieknummer te gaan.
5. Druk op de knop Afspelen/Pauze (7) op het apparaat om de muziek af te spelen/te pauzeren.
6. Druk kort op de knop + (6) of - (5) om het volume te verhogen of te verlagen. (Of pas het volume van de mobiele telefoon aan).

"Dit product is voorzien van een Bluetooth-ontvangstfunctie, u kunt er geen Bluetooth-audio mee verzenden: dit betekent dat u van een externe bron zoals een smartphone een Bluetooth-audiosignaal kunt ontvangen."

Muziek afspelen vanaf Micro SD-geheugenkaart (TF) of USB-geheugenstick

1. Druk lang op de aan-/uitknop (10) om het apparaat aan te zetten (indien nog niet aan).
2. Plaats een Micro SD-kaart (TF) (1) of USB-geheugenstick (2) aan de achterkant van het apparaat. De luidspreker laat horen "SD card (SD-kaart)" wanneer een micro SD-kaart is geplaatst of "USB" wanneer een USB-geheugenstick is geplaatst. De muziek start automatisch.
3. Druk tijdens het afspelen van muziek lang op de knop + (6) of - (5) om naar het volgende/vorige nummer te gaan. Druk kort op de knop + (6) of - (5) om het volume te verhogen of te verlagen.
4. Druk op Afspelen/Pauze (7) om het huidige muzieknummer af te spelen/te pauzeren.

OPMERKING: Als een SD-kaart (TF) of USB-geheugenstick is geplaatst terwijl de Bluetooth-modus actief is en muziek afspeelt, dan wordt de Bluetooth-modus afgesloten en schakelt deze over naar de afspeelmodus USB of Micro SD-kaart. U kunt op de knop MODUS (8) drukken om weer terug te gaan naar de Bluetooth-modus.

FM-radio:

1. Druk meerdere keren op de modus-knop (8) totdat u "Radio mode (Radio-modus)" hoort.
2. U kunt nu lang op de knop Afspelen/Pauze (7) drukken om het automatisch zoeken naar zenders te starten met automatisch opslaan.

3. Wanneer het automatisch zoeken is voltooid, kunt u tussen de gevonden kanalen schakelen door op de knoppen + (6) of - (5) te drukken.

Opmerking: als uw favoriete radiozender niet kan worden ontvangen of de ontvangst met ruis is.

U kunt de SPR-070 draaien om de ontvangstkwaliteit aan te passen. (De SPR-070 heeft een interne antenne). U kunt ook de meegeleverde 3,5 mm-aansluitkabel gebruiken als extra antenne. Steek deze in de aux-poort en pas de positie van de kabel aan voor een betere ontvangst.

TWS-functie (True Wireless Stereo):

Met de TWS-functie kunt u 2 identieke SPR-070-luidsprekers combineren als een draadloze stereoluidsprekerset.

Om dit te doen:

1. Zet de twee Lenco SPR-070-luidsprekers aan die u wilt instellen. Beide moeten in Bluetooth-modus staan.
2. Druk op de knop "TWS" (9) op het apparaat. De luidspreker maakt de toon "di" wanneer het begint te koppelen. Het zal 3 keer het geluid "di" maken wanneer het koppelen is gelukt. (De TWS-knoppen op beide apparaten lichten continu op)
3. Maak een Bluetooth-verbinding met uw mobiele telefoon/tablet/computer (indien nog niet gemaakt) om muziek af te spelen via de gekoppelde TWS-luidsprekers.
4. Wanneer u de TWS-modus wilt sluiten, druk dan nogmaals op de "TWS"-knop (9) op een van de apparaten om de TWS-functie te sluiten. Het TWS-lampje gaat uit.

OPMERKING: de TWS-functie kan alleen worden gebruikt in de Bluetooth-modus.

AUX-INGANG:

Gebruik voor andere muziekapparaten of MP3/ MP4-spelers met een 3,5 mm-aansluiting de meegeleverde audiokabel (3,5 mm-aansluiting) om de "Lijn uit" of "Hoofdtelefoon" van het apparaat aan te sluiten op de "Aux In" van dit apparaat, de luidspreker zal "Auxillary" weergeven. Bij gebruik van een extern apparaat kunnen alle functies door het externe apparaat worden bediend.

Opmerking:

1. Wanneer de Lenco SPR-070 een Bluetooth-verbinding heeft met uw mobiele telefoon, dan verschijnt er een batterijpictogram op uw verbonden mobiele telefoon/tablet met de batterijindicator van de luidsprekers.
2. Druk op de MODUS-knop om de verschillende modi te schakelen. De volgorde is Bluetooth, USB-schijf, Micro SD, FM-radio en AUX-IN.
3. U kunt lang op de TWS-knop drukken om het vorige verbonden Bluetooth-apparaat los te koppelen en de Bluetooth-koppelmodus te openen.
4. Het standaardvolume staat op 50% van het max. volume;

5. Druk lang op de modus-knop (8) om de RGB LED-lampjes aan/uit te zetten;
6. Zet het apparaat uit wanneer het niet wordt gebruikt om de batterij te besparen.

De batterij opladen

1. De netadapter is niet inbegrepen in het pakket. Gebruik een universele 5 V/1 A micro-USB-oplader om dit apparaat op te laden. (Lenco kan niet aansprakelijk worden gesteld voor schade die wordt veroorzaakt door het gebruik van een verkeerd type oplader)
2. Schakel het apparaat uit, steek de meegeleverde micro usb-oplaadkabel in de oplaadsleuf van het apparaat, sluit het andere uiteinde aan op een usb-oplader met 5 V/1 A-uitgang (of gebruik een usb-poort van een computer, maar het opladen duurt langer)
3. De oplaadtijd is 4-6 uur. De rode led brandt tijdens het opladen en gaat uit wanneer de batterij volledig is opgeladen.
4. De 4 witte LED's linksvoor (4) geven het resterende batterijvermogen aan. Als het batterijvermogen laag is, dan zal de rode oplaad-LED naast de microUSB-connector op het achterpaneel beginnen te knipperen terwijl de melding "lage batterij" klinkt. Laad de batterij nu a.u.b. op.

SPECIFICATIES:

1. Bluetooth-versie: 5.0
2. Luidsprekergrootte: 3 inch x 2
3. Muziekuitgang: 2 x 12W RMS
4. Batterijcapaciteit: 7,4 V 3000 mAh
5. Frequentiebereik: 100 Hz-16 KHz
6. Afspeeltijd batterij: tot 15 uur op 30% volume
7. Productafmeting: 354 (L) x 138 (B) x 183 (H) mm

Garantie

Lenco biedt service en garantie aan overeenkomstig met de Europese wetgeving. Dit houdt in dat u, in het geval van reparaties (zowel tijdens als na de garantieperiode), uw lokale handelaar moet contacteren.

Belangrijke opmerking: Het is niet mogelijk om producten die moeten worden gerepareerd rechtstreeks naar Lenco te sturen.

Belangrijke opmerking: De garantie verloopt als een onofficieel servicecenter het apparaat op wat voor manier dan ook heeft geopend, of er toegang toe heeft gekregen.

Het apparaat is niet geschikt voor professioneel gebruik. In het geval van professioneel gebruik worden alle garantieverplichtingen van de fabrikant nietig verklaard.

Disclaimer

Er worden regelmatig updates in de firmware en/of hardwarecomponenten gemaakt. Daardoor kunnen gedeelten van de instructie, de specificaties en afbeeldingen in deze documentatie enigszins verschillen van uw eigen situatie. Alle onderwerpen die staan beschreven in deze handleiding zijn bedoeld als illustratie en zijn niet van toepassing op specifieke situaties. Aan de beschrijving in dit document kunnen geen rechten worden ontleend.

Afvoer van het oude apparaat



Dit symbool geeft aan dat het betreffende elektrische product of de accu/batterij niet mag worden verwijderd als algemeen huishoudelijk afval in Europa. Zorg voor een juiste afvalverwerking door het product en de accu/batterij in overeenstemming met alle van toepassing zijnde lokale wetten voor het verwijderen van elektrische apparatuur of accu's/batterijen te verwijderen. Als u dit doet, helpt u de natuurlijke hulpbronnen te behouden en de standaard van milieubescherming te verbeteren bij de behandeling en verwijdering van elektrisch afval (Afgedankte Elektrische en Elektronische Apparatuur).

CE-markering

Lenco Benelux B.V., Thermiekstraat 1a, 6361 HB Nuth, Nederland, verklaart hierbij dat dit product voldoet aan de vereisten van de essentiële EU-richtlijnen.

De verklaring van conformiteit kan worden aangevraagd via techdoc@commaxxgroup.com



Service

Bezoek voor meer informatie en helpdeskondersteuning www.lenco.com

Lenco Benelux BV, Thermiekstraat 1a, 6361 HB, Nederland

ACHTUNG:

Eine andere als die hier beschriebene Bedienung, Einstellung oder Verwendung der Funktionen kann zu gefährlicher Strahlenbelastung führen.

Dieses Gerät darf nur von qualifizierten Fachkräften und niemand anderem repariert oder eingestellt werden.

VORSICHTSMASSNAHMEN VOR DER BENUTZUNG**BEFOLGEN SIE IMMER FOLGENDE ANWEISUNGEN:**

- 1.. Benutzen Sie zur Reinigung ein nur leicht befeuchtetes Tuch.
2. Blockieren oder bedecken Sie keine Lüftungsöffnungen. Wenn Sie das Gerät auf ein Regal stellen, lassen Sie um das gesamte Gerät 5 cm (2") freien Platz.
3. Stellen Sie das Gerät entsprechend den Anweisungen der mitgelieferten Bedienungsanleitung auf.
4. * Treten Sie nicht auf das Netzteil und klemmen Sie es auch nicht ein. Seien Sie im näheren Bereich des Steckers und der Herausführungen des Kabels besonders vorsichtig. Stellen Sie keine schweren Gegenstände auf das Netzteil, weil es dadurch beschädigt werden könnte. Halten Sie das gesamte Gerät außerhalb der Reichweite von Kindern! Durch Spielen mit dem Netzkabel können sie sich ernsthafte Verletzungen zuziehen.
5. * Trennen Sie das Gerät während eines Gewitters oder bei längerer Nichtbenutzung vom Netz.
6. Halten Sie das Gerät von Hitzequellen wie Radiatoren, Heizern, Öfen, Kerzen oder anderen hitzeerzeugenden Produkten oder offenen Flammen fern.
7. Meiden Sie bei der Nutzung des Produkts die Nähe starker Magnetfelder.
8. Elektrostatische Entladungen können die normale Verwendung von diesem Gerät stören. Sollte dies geschehen, führen Sie einfach einen Reset aus und starten Sie dann das Gerät entsprechend den Anweisungen dieser Bedienungsanleitung neu. Gehen Sie besonders bei Datenübertragungen mit dem Gerät vorsichtig um und führen Sie diese nur in einer antielektrischen Umgebung aus.
9. Warnung! Niemals Gegenstände durch die Lüftungsschlitze oder Öffnungen in das Gerät stecken. In diesem Gerät fließt Hochspannung und das Hineinstecken von Gegenständen kann zu elektrischem Schock und/oder Kurzschluss interner elektrischer Bauteile führen. Aus dem gleichen Grund kein Wasser oder Flüssigkeiten in das Gerät geben.
10. Obwohl dieses Gerät unter größter Sorgfalt und vor Auslieferung mehrmals überprüft wurde, können trotzdem wie bei jedem anderen elektrischen Gerät auch Probleme auftauchen. Trennen Sie das Gerät im Falle einer Rauchentwicklung, starker Hitzeentwicklung oder jeden anderen unnatürlichen Erscheinung sofort vom Netz.
11. Dieses Gerät ist durch eine Stromquelle wie auf dem Typenschild angegeben zu betreiben. Halten Sie bei Unsicherheiten über die Art Ihrer Stromversorgung in Ihrer Wohnung Rücksprache mit Ihrem Händler oder Ihrer Stromzuliefererfirma.
12. * Die Wandsteckdose muss sich in der Nähe des Geräts befinden und einfach zu erreichen sein.
13. * Überlasten Sie weder Netzsteckdosen noch Verlängerungskabel. Eine Überlastung kann zu Brandgefahr bzw. Stromschlag führen.
14. * Geräte der Schutzklasse 1 sind an eine Netzsteckdose mit Schutzleiter anzuschließen.
15. * Geräte der Schutzklasse 2 benötigen keinen Schutzleiteranschluss.
16. Halten Sie Nagetiere vom Gerät fern. Nagetiere lieben es, am Netzkabel zu nagen.
17. * Halten Sie den Netzstecker in der Hand, wenn Sie ihn aus der Netzsteckdose ziehen. Ziehen Sie ihn nicht durch Zerren am Kabel heraus. Das kann zu einem Kurzschluss führen.
18. Vermeiden Sie es, das Gerät auf Oberflächen aufzustellen, die zu Schwingungen oder Stoß neigen.
19. Benutzen Sie für die Reinigung ein weiches und trockenes Tuch. Benutzen Sie niemals Lösungsmittel oder Flüssigkeiten auf Ölbasis. Benutzen Sie zum Entfernen hartnäckiger Flecken ein feuchtes Tuch mit mildem Reinigungsmittel.
20. Der Hersteller haftet nicht für Schäden oder Verluste durch Fehlfunktion, Zweckentfremdung oder Modifikation des Geräts oder durch Wechseln der Batterien.

21. Unterbrechen Sie die Verbindung nicht während einer Formatierung oder einer Datenübertragung. Bei Unterbrechung drohen Datenverlust und Datenbeschädigung.
22. Wenn das Gerät eine USB-Wiedergabefunktion besitzt, dann stecken Sie den USB-Stick direkt in das Gerät. Verwenden Sie kein USB-Verlängerungskabel, weil die erhöhte Störanfälligkeit zu Datenverlust führen könnte.
23. Das Gerät darf weder Tropf- noch Spritzwasser ausgesetzt werden und es dürfen keine mit Flüssigkeit gefüllten Behälter wie z.B. Vasen auf das Gerät oder in der Nähe des Gerätes gestellt werden.
24. * Um das Gerät vollständig vom Netz zu trennen, muss der Netzstecker des Gerätes vom Stromnetz getrennt werden, wobei die zu trennende Einheit den Netzstecker des Gerätes bezeichnet.
25. Wenn das Gerät über Batterien betrieben wird, dann sind diese vor übermäßiger Wärme wie Sonneneinstrahlung, Feuer oder ähnlichem zu schützen.
26. Augenmerk ist auf den ökologischen Aspekt der Batterieentsorgung zu legen.
27. Das Gerät kann nur bei gemäßigten Temperaturen verwendet werden. Sehr kalte und heiße Umgebungen sind zu vermeiden.
28. Das Typenschild befindet sich an der Unter- oder Rückseite des Gerätes.
29. Dieses Gerät ist nicht zur Benutzung durch Personen (auch Kinder) mit physischen, sensorischen oder mentalen Beeinträchtigungen oder ohne ausreichender Erfahrung vorgesehen, es sei denn, sie werden durch eine verantwortliche Person beaufsichtigt oder wurden in die ordnungsgemäße Bedienung des Gerätes durch eine für ihre Sicherheit verantwortlichen Person eingewiesen.
30. Dieses Produkt ist nur für den nicht-professionellen Gebrauch und nicht für gewerbliche oder industrielle Zwecke bestimmt.
31. Stellen Sie sicher, dass das Gerät in einer stabilen Position aufgestellt ist. Schäden, die durch Verwendung dieses Produkts in einer instabilen Position oder durch Nichtbeachtung der anderen in diesem Handbuch enthaltener Warnungen und Vorwarnung entstehen, werden nicht durch die Garantie abgedeckt.
32. Entfernen Sie niemals das Gehäuse dieses Geräts.
33. Stellen Sie dieses Gerät niemals auf andere elektrische Geräte.
34. Verwenden oder bewahren Sie dieses Produkt nicht an Orten auf, in denen es direkter Sonneneinstrahlung, Hitze, übermäßigem Staub oder Vibration ausgesetzt ist.
35. Halten Sie Kinder von den Plastiktüten fern.
36. Benutzen Sie nur vom Hersteller spezifizierte Erweiterungen/Zubehörteile.
37. Lassen Sie alle Eingriffe von qualifiziertem Servicepersonal ausführen. Eingriffe werden notwendig, wenn das Gerät in irgendeiner Weise beschädigt wurde, beispielsweise am Netzkabel oder am Netzstecker oder wenn Flüssigkeit in das Gerät gelangt ist bzw. Gegenstände in das Gerät gefallen sind, das Gerät Regen oder Feuchtigkeit ausgesetzt war, es heruntergefallen ist oder nicht ordnungsgemäß funktioniert.
38. * Verwenden Sie weder ein beschädigtes Netzkabel noch einen beschädigten Stecker oder eine lockere Steckdose. Es besteht Brand- und Stromschlaggefahr.
39. Längeres Hören lauter Töne aus einem Musikgerät kann zum zeitweiligen oder permanenten Hörverlust führen.

ANSCHLUSS

- Packen Sie alle Teile aus und entfernen Sie danach die Schutzmaterialien.
- * Schließen Sie das Gerät nicht eher an das Netz an, bevor Sie die Netzspannung überprüft haben und alle anderen notwendigen Verbindungen hergestellt sind.
- * **Diese Anleitung gilt nur für Produkte, die über ein Netzkabel oder einen Netzadapter verfügen.**

EIGENSCHAFTEN:

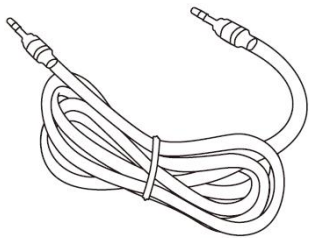
1. Tragbarer wasserfester 2.0-Kanal-Bluetooth-Lautsprecher
2. Wasserfest nach Schutzklasse IPX5, spritzwasserfest, regenfest, ideal für Strandaktivitäten, Bootsaktivitäten, Poolaktivitäten und weitere Aktivitäten im Freien;
3. Mit Taste für die TWS-Funktion für echte kabellose Bluetooth-Wiedergabe mit zweifach verbessertem Stereoklang;
4. Mit dem Bluetooth-Profil A2DP für drahtlose Übertragung von Musik von allen Bluetooth-fähigen Geräten wie Smartphones, Notebooks, iPhones oder iPads;
5. Bluetooth-Reichweite 10 Meter;
6. Mit USB- und microSD-Speicherkartenunterstützung;
7. Mit FM-Radio
8. Mit LINE-Eingang für PC, MID, TV und andere Audiogeräte;
9. Mit eingebauter wiederaufladbarer 3000-mAh-Lithium-Batterie
10. Mit Handgriff für den einfachen Transport.

Zubehör:

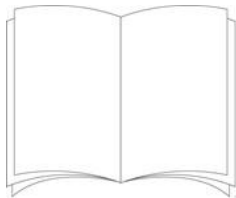
Ladekabel



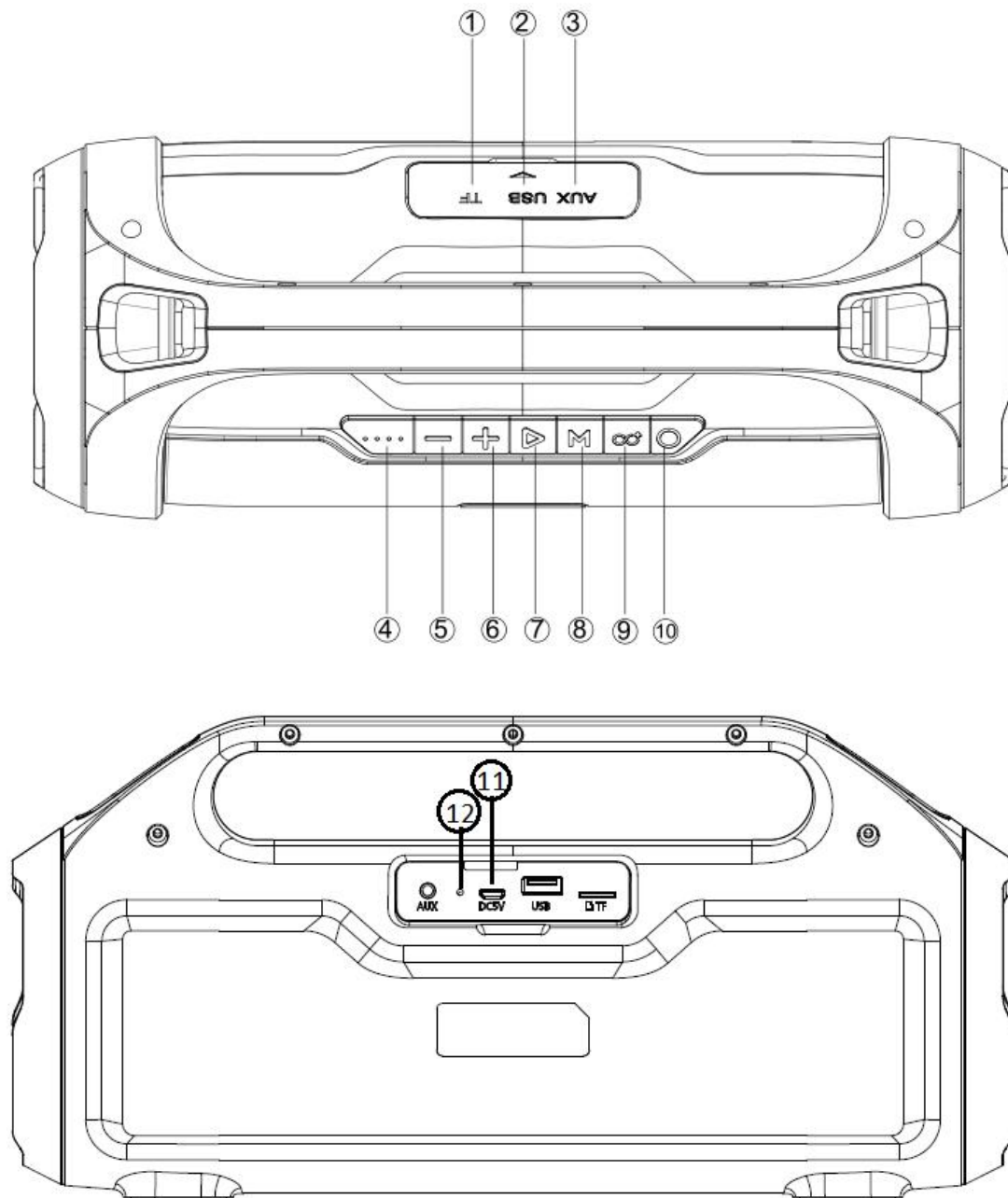
3,5-mm-Klinkenkabel männlich auf männlich



Bedienungsanleitung



Bedienelemente:



1. MicroSD-Kartenslot
2. USB-Port
3. AUX-Eingang
4. Batteriezustandsanzeige
5. Vorheriger Titel/Lautstärke verringern
6. Nächster Titel/Lautstärke erhöhen
7. Wiedergabe/Pause
8. Modus (Umschaltung zwischen Bluetooth, USB-Stick, microSD-Speicherkarte, FM-Radio und AUX-Eingang)
9. TWS ein/aus
10. Ein-/Ausschalten
11. MicroUSB-Ladeport
12. Lade-LED

Bluetooth:

1. Schalten Sie das Gerät durch langes Drücken der Ein/Aus-Taste (10) ein. Daraufhin blinkt diese Taste Blau. Des Weiteren ertönt die Mitteilung „the Bluetooth device is ready to pair“ (Das Bluetooth-Gerät ist zum Koppeln bereit).
2. Aktivieren Sie das Bluetooth Ihres Mobilgeräts und scannen Sie anschließend nach verfügbaren Bluetooth-Geräten. Wählen Sie das Gerät mit Namen „Lenco SPR-070“ aus und stellen Sie eine Verbindung zu ihm her. Wenn die Verbindung erfolgreich aufgebaut worden ist, dann blinkt die Taste nicht mehr und die Mitteilung „the Bluetooth Device is Connected Successfully“ (Das Bluetooth-Gerät wurde erfolgreich verbunden) ertönt.
3. Jetzt können Sie die Musik Ihres Mobilgeräts/Computers wiedergeben.
4. Drücken Sie die Taste + (6) oder – (5) am Gerät lang, um zu einem anderen Titel zu springen.
5. Drücken Sie die Taste Wiedergabe/Pause (7) am Gerät, um die Musikwiedergabe zu starten/pausieren.
6. Drücken Sie die Taste + (6) oder – (5) kurz, um die Lautstärke anzuheben oder zu verringern. (Sie können aber auch die Lautstärke des Mobilgeräts anpassen).

„Dieses Produkt besitzt eine Bluetooth-Empfangsfunktion, mit der Sie jedoch keine Klänge über Bluetooth übertragen können, d. h. Sie können nur Bluetooth-Audiosignale von externen Quellen wie beispielsweise einem Smartphone empfangen.“

Musikwiedergabe von der microSD-Speicherkarte (TF-Speicherkarte) oder vom USB-Stick

1. Drücken Sie die Ein/Aus-Taste (10) lang, um das Gerät einzuschalten (wenn es noch nicht eingeschaltet ist).
2. Stecken Sie eine microSD-Karte (TF-Karte) in den microSD-Kartenslot (1) oder einen USB-Stick in den USB-Port (2) auf der Rückseite des Geräts. Aus dem Lautsprecher ertönt „SD card“(SD-Karte)“, wenn Sie eine microSD-Karte in den microSD-Kartenslot schieben oder „USB“, wenn Sie einen USB-Stick in den USB-Port stecken. Daraufhin wird die Musikwiedergabe automatisch gestartet.
3. Drücken Sie während der Musikwiedergabe die +-Taste (6) oder die --Taste (5) lang, um zum nächsten/vorherigen Titel zu springen. Drücken Sie die +-Taste (6) oder die --Taste (5) **kurz**, um die Lautstärke anzuheben oder zu verringern.
4. Drücken Sie die Taste Wiedergabe/Pause (7), um die Wiedergabe des aktuellen Titels zu beginnen/pausieren.

HINWEIS: Wenn Sie während der Musikwiedergabe bei aktiviertem Bluetooth-Modus eine microSD-Karte (TF-Karte) in den Kartenslot schieben oder einen USB-Stick in den USB-Port stecken, dann wird der Bluetooth-Modus beendet und in den USB- oder microSD-Wiedergabemodus gewechselt. Sie können durch Drücken der Modustaste (8) wieder zurück in den Bluetooth-Modus wechseln.

FM-Radio:

1. Drücken Sie mehrmals die Modustaste (8) solange, bis „Radio mode“ (Radiomodus) ertönt.

2. Jetzt können Sie die Wiedergabe/Pause-Taste (7) lang drücken, um die automatische Kanalsuche mit automatischer Senderspeicherung zu starten.
3. Wenn die automatische Sendersuche abgeschlossen ist, dann können Sie durch Drücken der Taste + (6) oder – (5) durch die gefundenen Radiosender schalten.

Hinweis: Wenn Ihr Lieblingsradiosender entweder nicht gefunden wurde oder die Wiedergabe verrauscht ist, dann können Sie durch Drehen Ihres SPR-070 versuchen, die Empfangsqualität zu verbessern. (Die Antenne des SPR-070 befindet sich im Inneren des Geräts). Des Weiteren können Sie das mitgelieferte 3,5-mm-Klinkenkabel als zusätzliche Antenne benutzen. Stecken Sie es in den AUX-Port und verändern Sie dann die Kabelposition, um einen besseren Empfang zu erhalten.

TWS-Funktion (Funktion echtes kabelloses Stereo):

Dank der TWS-Funktion können Sie 2 identische SPR-070-Lautsprecher zu einem kabellosen Stereolautsprecherpaar kombinieren.

Gehen Sie dafür wie folgt vor:

1. Schalten Sie die beiden Lenco SPR-070-Lautsprecher ein, die Sie kombinieren möchten. Beide Lautsprecher müssen sich im Bluetooth-Modus befinden.
2. Drücken Sie bei einem der Lautsprecher die TWS-Taste (9). Bei Beginn des Kopplungsvorgangs ertönt aus dem Lautsprecher ein „Di“-Klang. Dieser „Di“-Klang ertönt 3 Mal, wenn das Koppeln erfolgreich war. (Danach leuchtet die TWS-Taste bei beiden Lautsprechern dauerhaft).
3. Stellen Sie eine Bluetooth-Verbindung mit Ihrem Mobiltelefon/Tablet-PC/Computer her (wenn noch nicht verbunden), um Musik über die TWS-gekoppelten Lautsprecher wiederzugeben.
4. Wenn Sie den TWS-Modus beenden möchten, dann drücken Sie die TWS-Taste (9) an einem der Lautsprecher solange, bis die TWS-Funktion beendet wird. Daraufhin erlischt auch die Beleuchtung der TWS-Tasten.

HINWEIS: Die TWS-Funktion kann nur im Bluetooth-Modus benutzt werden.

AUX-Eingang:

Benutzen Sie für andere Musikwiedergabegeräte oder MP3-/MP4-Player mit 3,5-mm-Klinkenbuchse das mitgelieferte LINE-Audiokabel (3,5-mm-Klinke), um den LINE- oder Kopfhörerausgang des Wiedergabegeräts mit dem AUX-Eingang dieses Geräts zu verbinden, woraufhin aus dem Lautsprecher „Auxillary“ (AUX-Eingang) ertönt. Wenn Sie ein externes Gerät benutzen, dann können Sie alle Funktionen über das externe Gerät steuern.

Anmerkung:

1. Wenn das Lenco SPR-070 eine Bluetooth-Verbindung zu Ihrem Mobilgerät aufgebaut hat, dann wird auf dem verbundenen Mobiltelefon/Tablet-PC ein Batteriesymbol angezeigt, das die Batterierestladung des Lautsprechers anzeigt.

2. Drücken Sie die Modustaste, um zwischen den einzelnen Modi in der Reihenfolge Bluetooth, USB-Stick, microSD-Speicherkarte, FM-Radio und AUX-Eingang zu wechseln.
3. Drücken Sie die TWS-Taste lang, um das verbundene Bluetooth-Gerät zu trennen und wieder in den Bluetooth-Kopplungsmodus zu wechseln.
4. Die Standardlautstärke liegt bei 50 % der Maximallautstärke;
5. Drücken Sie die Modustaste (8) lang, um die RGB-LED-Beleuchtung ein/auszuschalten.
6. Wenn Sie das Gerät nicht benutzen, dann schalten Sie es aus, um die Batterie zu schonen.

Laden der Batterie

1. Im Lieferumfang befindet sich kein Netzladegerät. Bitte benutzen Sie ein microUSB-Universalladegerät mit 5 V/1 A Ladestrom, um dieses Gerät zu laden. (Lenco übernimmt keine Verantwortung für Beschädigungen aufgrund der Verwendung eines falschen Ladegerätetyps).
2. Schalten Sie das Gerät aus und verbinden Sie das mitgelieferte microUSB-Ladekabel mit dem Ladeport des Geräts und dem Ausgang des USB-Ladegeräts (Ladestrom 5 V/1 A) oder einem freien USB-Port eines Computers, wobei in diesem Fall das Laden länger dauert.
3. Die Ladezeit beträgt ca. 4 – 6 Stunden. Während des Ladens leuchtet die rote LED, die erlischt, wenn die Batterie vollständig geladen ist.
4. Die 4 weißen LEDs auf der Vorderseite links (4) zeigen die Batterierestladung an. Wenn die Batterierestladung gering ist, dann blinkt die rote Lade-LED, die sich neben dem microUSB-Port auf der Geräterückseite befindet und die Sprachmitteilung „Batterieladung gering“ ertönt. Bitte laden Sie dann die Batterie.

TECHNISCHE DATEN:

1. Bluetooth-Version: 5.0
2. Lautsprechergröße: 2 x 3 Zoll
3. Musikausgabe: 2 x 12W RMS
4. Batteriekapazität: 7,4 V/3000 mAh
5. Frequenzbereich: 100 Hz – 16 kHz
6. Batteriewiedergabezeit: Bis zu 15 Stunden bei 30%iger Lautstärke
7. Produktabmessung: 354 (L) x 138 (B) x 183 (H) mm

Garantie

Lenco bietet Leistungen und Garantien im Einklang mit Europäischem Recht. Im Falle von Reparaturen (sowohl während als auch nach Ablauf der Garantiezeit) sollten Sie deshalb Ihren Einzelhändler kontaktieren.

Wichtiger Hinweis: Es ist nicht möglich, Produkte für Reparaturen direkt an Lenco zu schicken.

Wichtiger Hinweis: Wenn dieses Gerät für welchen Grund auch immer durch ein nicht offizielles Service-Center geöffnet wurde oder durch dieses Service-Center darauf zugegriffen wurde, erlischt die Garantie.

Dieses Gerät ist nicht für professionelle Zwecke geeignet. Falls das Gerät für professionelle Zwecke eingesetzt wird, erlöschen alle Garantieverpflichtungen seitens des Herstellers.

Haftungsausschluss

Aktualisierungen der Firmware und/oder Hardware-Komponenten werden regelmäßig durchgeführt. Aus diesem Grund können einige der Anleitungen, Spezifikationen und Abbildungen in dieser Dokumentation zu dem Ihnen vorliegendem Gerät leicht abweichen. Alle in diesem Handbuch beschriebenen Elemente dienen nur zur Illustration und treffen auf Ihre individuelle Situation möglicherweise nicht zu. Aus der in diesem Handbuch getätigten Beschreibung können keine Rechtsansprüche oder Leistungsanforderungen geltend gemacht werden.

Entsorgung des Altgeräts



Dieses Symbol zeigt an, dass das entsprechende Produkt oder dessen Akku/Batterie in Europa nicht mit dem normalen Hausmüll entsorgt werden darf. Um die ordnungsgemäße Abfallbehandlung des Produkts und dessen Akku/Batterie zu gewährleisten, müssen diese im Einklang mit allen anwendbaren örtlichen Vorschriften zur Entsorgung von Elektrogeräten und Akkus/Batterien entsorgt werden. Dabei helfen Sie, natürliche Ressourcen zu schonen und Umweltschutzstandards zur Verwertung und Entsorgung von Altgeräten aufrecht zu halten (Richtlinie über Entsorgung Elektrischer und Elektronischer Altgeräte).

CE-Kennzeichen

Hiermit erklärt Lenco Benelux B.V., Thermiekstraat 1a, 6361 HB Nuth, The Netherlands, dass dieses Produkt den grundsätzlichen Anforderungen der EU-Richtlinie entspricht.

Die Konformitätserklärung kann unter folgendem Link abgerufen werden:
techdoc@commaxxgroup.com



Service

Besuchen Sie bitte für weitere Informationen und unseren Kundendienst unsere Homepage
www.lenco.com

Lenco Benelux BV, Thermiekstraat 1a, 6361 HB, Die Niederlande.

ATTENTION :

L'utilisation de commandes ou de réglages ou l'exécution de procédures autres que ceux spécifiés dans ce manuel peut entraîner une exposition à des rayonnements dangereux.

Cet appareil ne doit pas être réglé ou réparé par quiconque d'autre que du personnel qualifié.

PRÉCAUTIONS AVANT UTILISATION**GARDEZ CES INSTRUCTIONS À L'ESPRIT :**

1. Nettoyez-le uniquement avec un chiffon doux légèrement humide.
2. Ne couvrez pas et n'obturez pas les ouvertures de ventilation. Lorsque vous placez l'appareil sur une étagère, laissez 5 cm (2") d'espace libre tout autour de l'appareil.
3. Installez-le conformément au mode d'emploi fourni.
4. * Ne marchez pas sur l'adaptateur secteur ou ne le coincez pas. Faites très attention, en particulier près des fiches et du point de sortie du câble. Ne placez pas d'objets lourds sur l'adaptateur secteur, car ils pourraient l'endommager. Gardez l'appareil hors de portée des enfants ! Ils pourraient se blesser gravement s'ils jouent avec le câble d'alimentation.
5. * Débranchez cet appareil pendant les orages ou lorsqu'il n'est pas utilisé pendant une longue durée.
6. Gardez l'appareil à l'écart des sources de chaleur telles que des radiateurs, chauffages, fours, bougies et autres produits générant de la chaleur ou une flamme nue.
7. Évitez d'utiliser l'appareil à proximité de champs magnétiques puissants.
8. Des décharges électrostatiques peuvent perturber le fonctionnement normal de cet appareil. Quand cela se produit, il suffit de réinitialiser et de redémarrer l'appareil en suivant le mode d'emploi. Pendant le transfert de fichiers, manipulez l'appareil avec précaution et faites-le fonctionner dans un environnement sans électricité statique.
9. Mise en garde ! N'introduisez jamais un objet dans l'appareil par les ouvertures et les fentes de ventilation. Étant donné que des tensions élevées sont présentes à l'intérieur du produit, l'insertion d'un objet peut entraîner une électrocution et/ou court-circuiter les composants internes. Pour les mêmes raisons, ne versez pas de l'eau ou un liquide sur le produit.
10. Bien que ce dispositif soit fabriqué avec le plus grand soin et contrôlé à plusieurs reprises avant de quitter l'usine, il est toujours possible que des problèmes se produisent, comme avec tous les appareils électriques. Si l'appareil émet de la fumée ou s'il y a une accumulation de chaleur excessive ou un phénomène inattendu, débranchez immédiatement la fiche d'alimentation du secteur.
11. Cet appareil doit fonctionner avec la source d'alimentation indiquée sur la plaque signalétique. Si vous n'êtes pas sûr du type d'alimentation utilisé chez vous, consultez votre revendeur ou le fournisseur d'électricité local.
12. * La prise secteur doit être installée près de l'appareil et doit être facilement accessible.
13. * Ne surchargez pas les prises de courant ou les rallonges. Une surcharge peut entraîner un incendie ou une électrocution.
14. * Les appareils à la norme de construction de classe 1 doivent être branchés à une prise de courant disposant d'une connexion protectrice à la terre.
15. * Les appareils à la norme de construction de classe 2 ne nécessitent pas de connexion à la terre.
16. Tenez-le à l'abri des rongeurs. Les rongeurs adorent mordre les cordons d'alimentation.
17. * Tirez toujours sur la fiche pour débrancher le cordon de la prise secteur. Ne tirez pas sur le cordon d'alimentation. Cela pourrait provoquer un court-circuit.
18. Évitez de placer l'appareil sur des surfaces sujettes aux vibrations ou aux chocs.
19. Pour nettoyer l'appareil, servez-vous d'un chiffon doux et sec. N'utilisez pas de solvant ni d'autre liquide à base de pétrole. Pour enlever les taches importantes, vous pouvez vous servir d'un chiffon humide imbibé d'une solution de détergent diluée.
20. Le fournisseur n'est pas responsable des dommages ou pertes de données causés par un dysfonctionnement, une utilisation abusive, une modification de l'appareil ou un remplacement de la batterie.
21. N'interrompez pas la connexion lorsque l'appareil formate ou transfère des fichiers. Sinon, les données pourraient être endommagées ou perdues.

22. Si l'appareil a une fonction de lecture USB, il faut brancher la clé USB directement sur l'appareil. N'utilisez pas de rallonge USB, car cela peut causer des interférences provoquant une perte de données.
23. L'appareil ne doit pas être exposé à des écoulements ou des éclaboussures et aucun objet contenant un liquide, tel qu'un vase, ne doit être posé sur ou près de l'appareil.
24. * Pour que l'alimentation soit parfaitement déconnectée, la fiche d'alimentation de l'appareil doit être débranchée de la prise secteur.
25. Si l'appareil a la possibilité de fonctionner sur batterie, n'exposez pas la batterie à une chaleur extrême telle que les rayons du soleil, le feu ou toute autre chaleur.
26. Veuillez considérer les questions environnementales lors de la mise au rebut des piles.
27. L'appareil doit être utilisé uniquement dans des conditions climatiques modérées, évitez un environnement extrêmement froid ou chaud.
28. La plaque signalétique se situe en dessous ou à l'arrière de l'appareil.
29. Cet appareil n'est pas destiné à être utilisé par des personnes (enfants compris) souffrant de handicaps physiques, sensoriels ou mentaux, ou manquant d'expérience et de connaissances, sauf si elles sont sous surveillance ou ont reçu des instructions sur l'utilisation correcte de l'appareil par la personne qui est responsable de leur sécurité.
30. Ce produit est réservé à un usage non professionnel, et non pas à un usage commercial ni industriel.
31. Vérifiez que l'appareil est en position stable. La garantie ne couvre pas les dégâts occasionnés par l'utilisation de cet appareil en position instable ou par la non-observation de tout autre avertissement ou précaution contenus dans ce mode d'emploi.
32. Ne retirez jamais le boîtier de l'appareil.
33. Ne placez jamais cet appareil sur un autre appareil électrique.
34. N'utilisez et ne rangez pas ce produit dans un endroit ensoleillé, chaud, très poussiéreux ou soumis à des vibrations excessives.
35. Ne laissez pas les sacs en plastique à la portée des enfants.
36. Utilisez uniquement les accessoires recommandés par le fabricant.
37. Confiez l'entretien et les réparations à un personnel qualifié. Une réparation est nécessaire lorsque l'appareil a été endommagé de quelque façon que ce soit, par exemple lorsque le cordon d'alimentation ou la prise sont endommagés, lorsqu'un liquide a été renversé ou des objets ont été introduits dans l'appareil, lorsque l'appareil a été exposé à la pluie ou à l'humidité, lorsqu'il ne fonctionne pas correctement ou lorsque l'appareil est tombé.
38. * N'utilisez pas un cordon ou une fiche d'alimentation endommagés ni une prise desserrée. Vous risqueriez de causer un incendie ou une décharge électrique.
39. Une exposition prolongée aux sons puissants des lecteurs personnels de musique peut entraîner une perte temporaire ou définitive de l'ouïe.

INSTALLATION

- Déballez toutes les pièces et enlevez le matériau de protection.
 - * Ne branchez pas l'appareil au secteur avant d'avoir vérifié la tension du secteur et avant d'effectuer tous les autres branchements.
- * Ces instructions s'appliquent uniquement aux produits utilisant un câble d'alimentation ou un adaptateur secteur.**

CARACTÉRISTIQUES :

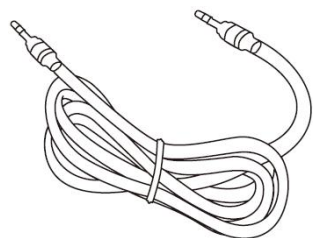
1. Haut-parleur portable Bluetooth 2.0CH étanche à l'eau
2. Résistant à l'eau selon IPX5, aux éclaboussures, à la pluie, parfait pour la plage, le bord de la piscine, le bateau et d'autres activités extérieures ;
3. Bouton dédié à la fonction TWS, permet d'obtenir un véritable jeu sans fil Bluetooth avec un double son stéréo amélioré ;
4. Avec A2DP Bluetooth, diffusez de la musique sans fil à partir de n'importe quel appareil compatible Bluetooth tel que votre téléphone mobile, votre ordinateur portable, votre iPhone ou votre iPad.
5. Portée de fonctionnement Bluetooth 10 mètres ;
6. Avec support USB et carte Micro SD ;
7. Avec radio FM
8. Avec fonction d'entrée de ligne, convient pour PC, MID, TV et autres appareils audio ;
9. Batterie rechargeable au lithium intégrée 3000 mAh
10. avec poignée, facile à retirer.

Accessoires :

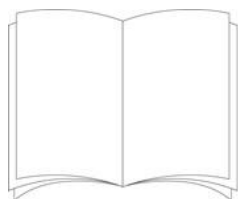
Câble de chargement



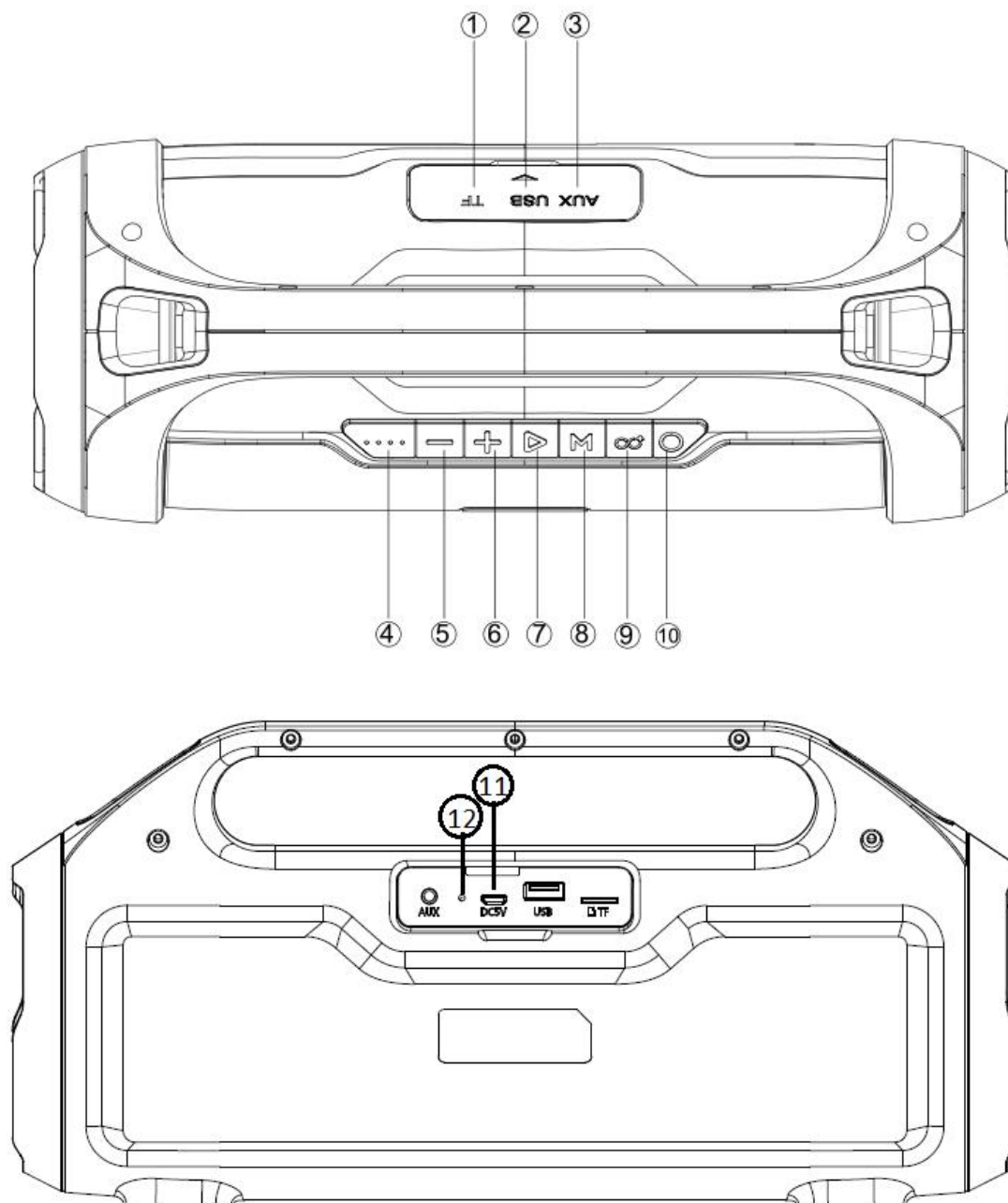
Câble Jack mâle/mâle 3,5 mm



Mode d'emploi



Commandes :



1. Fente pour carte Micro SD
2. Port USB
3. Entrée AUX
4. Indicateur de pile
5. Retour/Baisser le volume
6. Avance/Augmenter le volume
7. Lecture/pause
8. Mode (Commutation Bluetooth, disque USB, Micro SD, FM et AUX-IN)
9. TWS Marche/Arrêt
10. Marche/arrêt
11. Port de charge micro USB
12. LED de charge

Bluetooth :

1. Allumez l'appareil en appuyant longuement sur le bouton Marche/Arrêt (10). Le bouton s'allume en bleu puis commence à clignoter. Un message « the Bluetooth device is ready to pair » (l'appareil Bluetooth est prêt à être couplé retentit).
2. Activez le Bluetooth de votre téléphone mobile et recherchez les périphériques Bluetooth, sélectionnez l'appareil « Lenco SPR-070 » et connectez-le. Si la connexion a réussi, le voyant bleu du bouton d'alimentation cesse de clignoter et vous entendez « the Bluetooth Device is Connected Successfully » (Le périphérique Bluetooth est connecté avec succès).
3. Vous pouvez à présent écouter de la musique à partir de votre téléphone mobile/tablette/ordinateur.
4. Appuyez longuement sur le bouton + (6) ou - (5) de l'appareil pour passer à une autre piste musicale.
5. Appuyez sur la touche Lecture/Pause (7) de l'appareil pour écouter/suspendre la musique.
6. Appuyez brièvement sur la touche + (6) ou - (5) pour augmenter ou baisser le volume. (Ou réglez le volume des téléphones portables).

*« Cet appareil est doté d'une fonction de **réception** Bluetooth. **Vous ne pourrez transmettre aucun son Bluetooth via la platine tourne-disque** : cela signifie que vous pouvez recevoir sans fil un signal sonore Bluetooth à partir d'une source externe, par ex. un smartphone».*

Lecture de musique à partir d'une carte mémoire Micro SD (TF) ou d'une clé USB

1. Appuyez longuement sur le bouton d'alimentation (10) pour allumer l'appareil (s'il n'est pas déjà allumé).
2. Insérez une carte Micro SD (TF) (1) ou une clé USB (2) à l'arrière de l'appareil. Le haut-parleur émet un son « **SD card** » (**Carte SD**) lorsqu'une carte micro SD est insérée ou « **USB** » lorsqu'une clé USB est insérée. La musique démarre automatiquement.
3. Lorsque vous écoutez de la musique, appuyez longuement sur la touche + (6) ou - (5) pour passer à la chanson suivante/précédente. Appuyez **brièvement** sur la touche + (6) ou - (5) pour augmenter ou baisser le volume.
4. Appuyez sur Lecture/Pause (7) pour lire/suspendre la piste musicale en cours.

REMARQUE : si une carte SD (TF) ou une clé USB est insérée alors que le mode Bluetooth est actif et joue de la musique, le mode Bluetooth s'arrête et l'appareil passe en mode de lecture USB ou carte Micro SD. Vous pouvez appuyer sur le bouton MODE (8) pour revenir au mode Bluetooth.

Radio FM :

1. Appuyez plusieurs fois sur le bouton mode (8) jusqu'à ce que vous entendiez « Radio mode » (Mode Radio).
2. Vous pouvez à présent appuyer longuement sur la touche Lecture/Pause (7) pour lancer une recherche automatique de canaux avec mémorisation automatique.

3. Une fois la recherche automatique terminée, vous pouvez changer les canaux trouvés en appuyant sur les boutons + (6) ou - (5).

Remarque : si votre station de radio préférée ne peut pas être reçue ou si la réception est bruyante.

Vous pouvez faire pivoter le SPR-070 pour modifier la qualité de la réception. (Le SPR-070 possède une antenne interne). Vous pouvez également utiliser le câble jack de 3,5 mm fourni comme antenne supplémentaire. Insérez-le dans le port auxiliaire et modifiez la position du câble pour une meilleure réception.

Fonction TWS (True Wireless Stereo) :

Avec la fonction TWS, vous pouvez combiner 2 enceintes SPR-070 identiques en un ensemble d'enceintes stéréo sans fil.

Pour cela :

1. Allumez les deux enceintes Lenco SPR-070 que vous souhaitez configurer. Les deux doivent être en mode Bluetooth.
2. Appuyer sur la touche « TWS » (9) d'un appareil. L'enceinte émet une tonalité « di » lorsqu'elle commence le couplage. Elle émet 3 fois un son « di » lorsque l'appairage a réussi. (Les touches TWS des deux appareils s'allument en permanence)
3. Établissez une connexion Bluetooth avec votre téléphone portable/tablette/ordinateur (si ce n'est déjà fait) pour écouter de la musique avec les enceintes couplées TWS.
4. Pour quitter le mode TWS, appuyez à nouveau sur la touche « TWS » (9) de l'un des appareils pour quitter la fonction TWS. Le voyant du TWS s'éteint.

REMARQUE : la fonction TWS ne peut être utilisée qu'en mode Bluetooth.

ENTRÉE AUX :

Pour les autres appareils de musique ou lecteurs MP3/MP4 dotés d'une prise jack 3,5 mm, utilisez le câble de ligne audio fourni (prise jack 3,5 mm) pour connecter la « sortie de ligne » ou le « casque » de l'appareil à « l'entrée auxiliaire » de cet appareil, l'enceinte émet « Auxillary » (Auxiliaire). Lors de l'utilisation d'un appareil externe, toutes les fonctions peuvent être contrôlées par l'appareil externe.

Remarque :

1. Lorsque le Lenco SPR-070 est connecté à votre téléphone portable via Bluetooth, une icône de batterie apparaît sur votre téléphone portable/tablette connecté indiquant la charge de la batterie des enceintes.
2. Appuyez sur le bouton MODE pour passer d'un mode à l'autre, l'ordre est Bluetooth, disque USB, Micro SD, radio FM et AUX-IN.
3. L'utilisateur peut appuyer longuement sur le bouton TWS pour déconnecter le périphérique Bluetooth connecté précédemment et passer en mode de couplage Bluetooth.
4. Le volume par défaut est à 50 % du volume maximum ;

5. Appuyez longuement sur le bouton Mode (8) pour allumer/éteindre les voyants LED RGB ;
6. Éteignez l'appareil lorsqu'il n'est pas utilisé afin d'économiser la batterie.

Charge de la batterie

1. Un chargeur secteur n'est pas fourni. Veuillez utiliser un chargeur universel 5 V/1 A micro USB pour charger cet appareil. (Lenco ne peut être tenu responsable des dommages causés par l'utilisation d'un mauvais type de chargeur)
2. Mettez l'appareil hors tension, insérez le câble de charge micro usb fourni dans la fente de charge de l'appareil, connectez l'autre extrémité à un chargeur usb avec sortie 5 V/1 A (ou utilisez un port usb d'un ordinateur, mais la charge prendra plus de temps).
3. Le temps de charge sera d'environ 4 à 6 heures. L'indicateur LED s'allume pendant la charge et s'éteint lorsque la batterie est complètement chargée.
4. Les 4 LED blanches à l'avant gauche (4) indiquent la charge restante de la batterie. Si la batterie est faible, le voyant rouge de charge, à côté du connecteur micro USB sur le panneau arrière, se met à clignoter et un message « batterie faible » retentit. Veuillez charger la batterie.

CARACTÉRISTIQUES TECHNIQUES :

1. Version Bluetooth : 5.0
2. Hauteur du haut-parleur : 3 pouces x 2
3. Sortie de musique : 2 x 12 W en valeur efficace
4. Capacité de la batterie : 7,4 V 3 000 mAh
5. Réponse en fréquence : 100 Hz-16 KHz
6. Autonomie de la batterie en mode lecture : jusqu'à 15 heures à 30 % du volume
7. Dimensions du produit : 354 (L) x 138 (l) x 183 (H) mm

Garantie

Lenco propose un service et une garantie conformément à la législation européenne, ce qui signifie qu'en cas de besoin de réparation (aussi bien pendant et après la période de garantie), vous pouvez contacter votre revendeur le plus proche.

Remarque importante : Il n'est pas possible de renvoyer l'appareil pour réparation directement à Lenco.

Remarque importante : Si l'appareil est ouvert ou modifié de quelque manière que ce soit par un réparateur non agréé, la garantie serait caduque.

Cet appareil ne convient pas à une utilisation professionnelle. En cas d'utilisation professionnelle, les obligations de garantie du fabricant seront annulées.

Clause de non-responsabilité

Des mises à jour du logiciel et/ou des composants informatiques sont régulièrement effectuées. Il se peut donc que certaines instructions, caractéristiques et images présentes dans ce document diffèrent légèrement de votre configuration spécifique. Tous les articles décrits dans ce guide sont fournis uniquement à des fins d'illustration et peuvent ne pas s'appliquer à une configuration spécifique. Aucun droit légal ne peut être obtenu depuis les informations contenues dans ce manuel.

Mise au rebut de l'appareil usagé



Ce symbole indique que le produit électrique concerné ainsi que les piles ne doivent pas être jetés avec les autres déchets ménagers en Europe. Pour garantir un traitement correct des piles et de l'appareil usagés, veuillez les mettre au rebut conformément aux réglementations locales en vigueur relatives aux appareils électriques et autres piles. En agissant de la sorte, vous contribuerez à la préservation des ressources naturelles et à l'amélioration des niveaux de protection environnementale concernant le traitement et la destruction des déchets électriques (directive sur les déchets des équipements électriques et électroniques).

Marquage CE

Par la présente, Lenco Benelux B.V., Thermiekstraat 1a, 6361 HB Nuth, Pays-Bas, déclare que ce produit est conforme aux exigences principales des directives européennes.

La déclaration de conformité peut être consultée à l'adresse techdoc@commaxxgroup.com



Service après-vente

Pour en savoir plus et obtenir de l'assistance, visitez www.lenco.com

Lenco Benelux BV, Thermiekstraat 1a, 6361 HB, Pays-Bas.

PRECAUCIÓN:

El uso de los controles o ajustes o el funcionamiento de los procedimientos excepto a aquellos especificados aquí pueden provocar una exposición peligrosa a la radiación.

Esta unidad no debe ajustarse o repararse por ninguna persona salvo personal de servicio cualificado.

PRECAUCIONES PREVIAS AL USO**TENGA ESTAS INSTRUCCIONES EN MENTE:**

1. Límpielo únicamente con un paño ligeramente humedecido.
2. No cubra o bloquee ninguna apertura de ventilación. Cuando coloque el dispositivo en una estantería, deje 5 cm (2") de espacio libre alrededor de todo el dispositivo.
3. Instálelo conforme al manual de usuario que se adjunta.
4. * No pise o pince el adaptador de alimentación. Tenga mucho cuidado, en especial cerca de las tomas y el punto de salida del cable. No coloque objetos pesados en el adaptador de alimentación, ya que pueden dañarlo. ¡Mantenga el dispositivo fuera del alcance de los niños! Si juegan con el cable de alimentación, puede sufrir lesiones graves.
5. * Desconecte el dispositivo durante tormentas eléctricas o cuando no vaya a usarse durante periodos prolongados de tiempo.
6. Mantenga el aparato alejado de fuentes de calor, como radiadores, calentadores, estufas, velas u otros productos que generen calor o llama viva.
7. Evite usar el dispositivo cerca de campos magnéticos fuertes.
8. Una descarga electrostática puede entorpecer el uso normal de este dispositivo. En tal caso, simplemente reinicielo siguiendo el manual de instrucciones. Durante la transmisión de archivos, por favor manéjelo con cuidado opérelolo en un entorno libre de electricidad estática.
9. ¡Advertencia! Nunca inserte un objeto en el producto a través de las ventilaciones o aperturas. Alto voltaje fluye a través del producto e insertar un objeto puede provocar una descarga eléctrica y/o un cortocircuito de sus componentes internos. Por el mismo motivo, no derrame agua o líquidos en el producto.
10. Aunque este dispositivo está fabricado con el máximo cuidado y comprobado varias veces antes de salir de fábrica, todavía es posible que se puedan producir problemas, al igual que con todos los aparatos eléctricos. Si observa la aparición de humo, una acumulación excesiva de calor o cualquier otro fenómeno inesperado, deberá desconectar inmediatamente el enchufe de la toma de corriente.
11. Este dispositivo debe funcionar con una fuente de alimentación que se especifica en la etiqueta de especificaciones. Si no está seguro del tipo de alimentación que se usa en su hogar, consulte con el distribuidor o una compañía eléctrica local.
12. * La salida de la toma debe instalarse cerca del equipo y debe ser fácilmente accesible.
13. * No sobrecargue las tomas CA o los cables de extensión. La sobrecarga puede provocar un incendio o una descarga eléctrica.
14. * Los dispositivos con construcción de Clase 1 deben estar conectados a una toma de corriente con una conexión a tierra protegida.
15. * Los dispositivos con construcción Clase 2 no requieren una conexión a tierra.
16. Manténgalo alejado de los roedores. Los roedores disfrutan mordiendo cables de alimentación.
17. * Sujete siempre el enchufe cuando los extraiga de la toma de corriente. No tire del cable de alimentación. Esto puede provocar un cortocircuito.
18. Evite colocar la unidad sobre superficies sometidas a vibraciones o impactos.
19. Para limpiar el dispositivo use un paño seco y suave. No utilice líquidos disolventes ni con base de petróleo. Para eliminar manchas difíciles, puede usar un paño húmedo con detergente diluido.
20. El proveedor no asume ninguna responsabilidad por daños o datos perdidos provocados por un funcionamiento incorrecto, uso incorrecto, modificación del dispositivo o sustitución de la batería.

21. No interrumpa la conexión cuando el dispositivo esté formateando o transfiriendo archivos. En caso contrario, los datos se pueden estropear o perder.
22. Si la unidad dispone de función de reproducción USB, se debe conectar la memoria USB directamente en la unidad. No utilice cables de extensión USB ya que pueden crear interferencias que causen una pérdida de datos.
23. El aparato no debe exponerse a goteos o salpicaduras y asegúrese de que ningún objeto lleno de líquido, como jarrones, se colocan sobre o cerca del aparato.
24. * Para desconectar completamente la entrada de alimentación, el enchufe del aparato deberá desconectarse de la alimentación, ya que el dispositivo de desconexión es el enchufe del aparato.
25. Si la unidad funciona con batería, la batería no debe exponerse a un calor excesivo como a la luz solar, el fuego o similares.
26. Se debe prestar atención a los aspectos medioambientales sobre la eliminación de baterías.
27. El aparato solo debe usarse en climas moderados o extremadamente fríos y deben evitarse los entornos calurosos.
28. La etiqueta identificativa aparece marcada en la parte inferior o en el trasero del aparato.
29. Este aparato no está diseñado para su uso por personas (incluyendo niños) con discapacidades físicas, sensoriales o mentales o con falta de experiencia o conocimientos, salvo que estén bajo la supervisión o hayan recibido formación sobre el uso correcto del dispositivo por parte de una persona responsable de su seguridad.
30. Este producto está diseñado para un uso no profesional únicamente y no para un uso comercial o industrial.
31. Asegúrese de que la unidad esté fijada en una posición estable. Los daños provocados por utilizar este producto en una posición inestable o por no seguir cualquier otra advertencia o precaución incluida en este manual de usuario no estarán cubiertos por la garantía.
32. No retire nunca la carcasa de este aparato.
33. Nunca coloque el aparato sobre otro equipo eléctrico.
34. No utilice ni guarde el producto en lugares expuestos a la luz solar directa, a altas temperaturas, a la vibración ni en ambientes excesivamente polvorientos.
35. Mantenga las bolsas de plástico fuera del alcance de los niños.
36. Use únicamente los dispositivos/accesorios especificados por el fabricante.
37. Remita todas las reparaciones al personal cualificado. La reparación es necesaria cuando el aparato presente cualquier tipo de daño, como el cable de alimentación o el enchufe, cuando se haya derramado líquido o hayan caído objetos sobre el aparato, o cuando el aparato se haya visto expuesto a la lluvia o humedad, o no funcione normalmente o se haya caído.
38. * No utilice un cable de alimentación o enchufe deteriorado o una toma suelta. Si lo hace, podría provocar un incendio o una descarga eléctrica.
39. La exposición prolongada a sonidos fuertes de reproductores personales de música puede provocar pérdida de audición temporal o permanente.

INSTALACIÓN

- Desembale todas las piezas y retire el material protector.
- * No conecte la unidad a la corriente eléctrica antes de comprobar la tensión de la corriente y antes de que se hayan hecho todas las demás conexiones.

*** Estas instrucciones solo están relacionadas con productos que usen un cable de alimentación o un adaptador de corriente CA.**

CARACTERÍSTICAS:

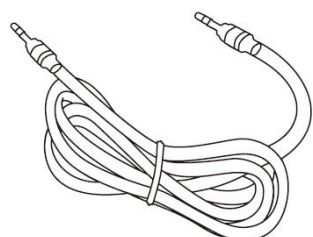
1. Altavoz impermeable Bluetooth portátil 2.0CH
2. Resistente al agua IPX5, anti salpicaduras, impermeable, perfecto para la playa, piscina barco y más actividades al aire libre.
3. Botón dedicado para la función TWS, consiga una verdadera reproducción Bluetooth inalámbrica con doble sonido estéreo mejorado.
4. Con Bluetooth A2DP, reproduce de forma inalámbrica desde cualquier dispositivo con Bluetooth habilitado como su teléfono móvil, notebook, iPhone o iPad.
5. Alcance operativo del Bluetooth de 10 metros.
6. Con compatibilidad para USB y tarjetas Micro SD;
7. Con radio FM
8. Con función de entrada de línea, apto para PC, MID, TV y otros dispositivos de audio;
9. Batería integrada recargable de litio de 3000 mAh
10. Con asa, fácil de llevar.

Accesorios:

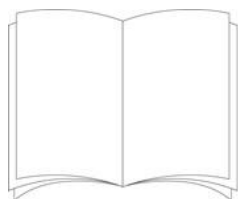
Cable de carga



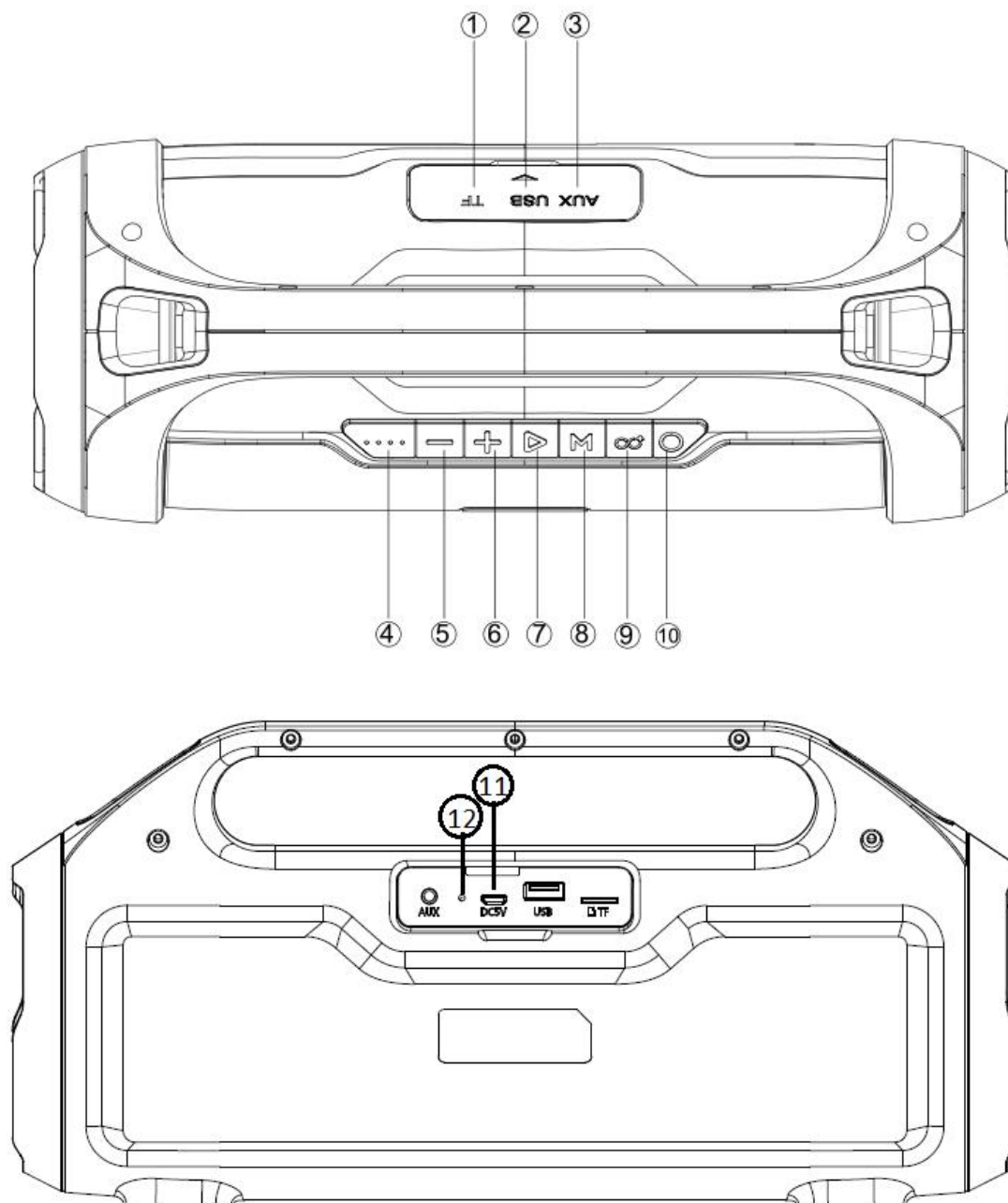
Toma de 3,5 mm / cable de toma



Manual del usuario



Controles:



1. Micro ranura SD
2. Puerto USB
3. Entrada AUX
4. Indicador de batería
5. Atrás/Bajar volumen
6. Adelante/subir volumen
7. Reproducir/Pausa
8. Modo (Interruptor Bluetooth, disco USB, Micro SD, FM y ENTRADA AUXILIAR)
9. TWX conectado/desconectado
10. Encender/Apagar
11. Puerto de carga micro USB
12. LED de carga

Bluetooth:

1. Encienda la unidad pulsado durante un periodo prolongado de tiempo el botón power On/Off (10). El botón se iluminará de color azul y después empezará a parpadear. Sonará el mensaje “the Bluetooth device is ready to pair (El dispositivo Bluetooth está listo para emparejarse)”.
2. Active el Bluetooth de su teléfono móvil y busque dispositivos Bluetooth; seleccione el dispositivo denominado “Lenco SPR-070” y conéctese al mismo. Si la conexión se realiza correctamente, el botón de encendido de color azul dejará de parpadear y oirá “the Bluetooth Device is Connected Successfully (El dispositivo Bluetooth se ha conectado correctamente)”.
3. Ahora puede reproducir música desde su teléfono móvil / Tablet / ordenador.
4. Pulse durante un periodo prolongado de tiempo el botón + (6) o - (5) del dispositivo para cambiar a otra pista de música.
5. Pulse el botón Reproducir/Pausa (7) del dispositivo para reproducir/hacer una pausa en la música.
6. Pulse brevemente el botón + (6) o - (5) para ajustar hacia arriba o hacia abajo el volumen. (O ajuste el volumen del teléfono móvil).

*«Este producto dispone de una función de **recepción** bluetooth, **no puede transmitir ningún sonido bluetooth con ella**: esto significa que puede recibir la señal de sonido Bluetooth desde una fuente externa como un smartphone».*

Reproducir música desde una tarjeta de memoria Micro SD (TF) o una memoria USB

1. Pulse durante un periodo prolongado de tiempo el botón Power (10) para encender la unidad (si no está ya encendida).
2. Inserte una tarjeta Micro SD (TF) (1) o una memoria USB (2) en la parte posterior de la unidad. El altavoz dirá “**SD card**” (**Tarjeta SD**) cuando se inserte una tarjeta micro SD o “**USB**” cuando se inserte una memoria USB. La música se iniciará automáticamente.
3. Cuando reproduzca música, pulse durante un periodo prolongado de tiempo el botón + (6) o – (5) para ir a la canción anterior / siguiente. **Pulse** brevemente el botón + (6) o – (5) para subir o bajar el volumen.
4. Pulse Reproducir/Pausa (7) para reproducir/hacer una pausa en la pista de música actual.

NOTA: Si se inserta una TARJETA SD (TF) CARD o una memoria USB cuando el modo Bluetooth está active y reproduciendo música, se saldrá del modo Bluetooth y se cambiará al modo de reproducción USB o tarjeta Micro SD. Puede pulsar el botón MODE (8) para volver a cambiar al modo Bluetooth de nuevo.

Radio FM:

1. Pulse múltiples veces el botón mode (8) hasta que oiga “Radio mode (Modo radio)”.

2. Ahora puede pulsar durante un periodo prolongado de tiempo el botón Reproducción/Pausa (7) para iniciar la búsqueda automática de un canal con almacenamiento automático.
3. Cuando se finalice la búsqueda automática, puede cambiar a los canales encontrados pulsando los botones + (6) o – (5).

Nota: Si no se puede recibir su emisora de radio favorita o la recepción es con ruido Puede girar la unidad SPR-070 para cambiar la calidad de la recepción. (El SPR-070 dispone de una antena interna). Asimismo puede usar el cable de la toma de 3,5 mm que se adjunta como una antena extra. Insértelo en el puerto auxiliar y modifique la posición del cable para obtener una mejor recepción.

Función TWS (Verdadero Estéreo Inalámbrico):

Con la función TWS puede combinar 2 altavoces SPR-070 idénticos como un conjunto de altavoces estéreo inalámbrico.

Para hacerlo:

1. Encienda los dos altavoces Lenco SPR-070 que desee configurar. Ambos tienen que estar en modo Bluetooth.
2. Pulse el botón “TWS” (9) en una unidad. El altavoz emitirá un tono “di” cuando empiece a emparejarse. Emitirá un sonido “di” 3 veces cuando se empareje correctamente. (Los botones TWS en ambos dispositivos se iluminarán de forma continua)
3. Realice una conexión Bluetooth con su teléfono móvil / tablet / ordenador (si todavía no está conectado) para reproducir música a través de los altavoces TWS emparejados.
4. Cuando desee salir del modo TWS, vuelva a pulsar el botón “TWS” (9) de una de las unidades para salir de la función TWS. Se apagará la luz del TWS.

NOTA: La función TWS solo puede usarse en modo Bluetooth.

ENTRADA AUXILIAR:

Para otros dispositivos de música o reproductores MP3/MP4 con una conexión con una toma de 3,5 mm, use el cable de línea de audio que se adjunta (toma de 3,5 mm) para conectarlos desde “Salida de línea” o “Auricular” del dispositivo a la “Entrada auxiliar” de este dispositivo; el altavoz apuntará “Auxillary (Auxiliar)”. Cuando se usa un dispositivo externo, se pueden controlar todas las funciones mediante el dispositivo externo.

Observaciones:

1. Cuando el Lenco SPR-070 dispone de una conexión Bluetooth con su teléfono móvil, habrá un icono de la batería en su teléfono móvil / tablet / ordenador conectado que muestra la carga de la batería de los altavoces.
2. Pulse el botón MODE para cambiar entre los diferentes modos; el orden es Bluetooth, disco USB, Micro SD, radio FM y AUX-IN.

3. El usuario puede pulsar durante un periodo prolongado de tiempo el botón TWS para desconectar el dispositivo Bluetooth conectado anteriormente y entrar en el modo de emparejamiento Bluetooth.
4. El volumen predeterminado es el estado del 50% del volumen máximo;
5. Pulse durante un periodo prolongado de tiempo el botón Mode (8) para conectar / desconectar las luces LED RGB;
6. Apague el dispositivo cuando no lo esté usando para ahorrar vida útil de la batería.

Cargar la batería

1. No se incluye en el envase un cargador a la corriente eléctrica. Use un cargador universal micro USB de 5 V/1 A para cargar este dispositivo. (Lenco no puede asumir ninguna responsabilidad por cualquier daño causado por el uso de un tipo incorrecto de cargador)
2. Apague la unidad, coloque el cable de carga micro usb incluido en la ranura de carga de la unidad; conecte el otro extremo a un cargador usb con una salida de 5 V/1 A (o use un puerto usb de un ordenador, pero la carga tardará más tiempo)
3. El tiempo de carga será de ~4-6 horas. El Led de color rojo permanece encendido mientras se carga y se apagará cuando la batería esté completamente cargada.
4. Los 4 LED blancos en la parte delantera izquierda (4) muestran la carga restante de la batería. Si la carga de la batería está baja, el LED de carga rojo, situado al lado del conector micro USB del panel posterior, empezará a parpadear y se oirá el mensaje “ batería baja ”. Cargue la batería.

ESPECIFICACIONES:

1. Versión Bluetooth: 5.0
2. Tamaño del altavoz: 3 pulgadas x 2
3. Salida de música: 2 x 12W RMS
4. Capacidad de la batería: 7,4 V 3000 mAh
5. Respuesta de frecuencia: 100 Hz-16 KHz
6. Tiempo de reproducción de la batería: hasta 15 horas al 30% del volumen
7. Tamaño del producto: 354 (L) x 138 (A) x 183 (A) mm

Garantía

Lenco ofrece servicio y garantía en cumplimiento con las leyes de la Unión Europea, lo cual implica que, en caso de que su producto precise ser reparado (tanto durante como después del periodo de garantía), deberá contactar directamente con su distribuidor.

Nota importante: No es posible enviar sus reparaciones directamente a Lenco.

Nota importante: Si la unidad es abierta por un centro de servicio no oficial, la garantía quedará anulada.

Este aparato no es adecuado para el uso profesional. En caso de darle un uso profesional, todas las obligaciones de garantía del fabricante quedarán anuladas.

Exención de responsabilidad

Regularmente se llevan a cabo actualizaciones en el Firmware y en los componentes del hardware. Por esta razón, algunas de las instrucciones, especificaciones e imágenes incluidas en este documento pueden diferir ligeramente respecto a su situación particular. Todos los elementos descritos en esta guía tienen un objetivo de mera ilustración, y pueden no ser de aplicación en su situación particular. No se puede obtener ningún derecho ni derecho legal a partir de la descripción hecha en este manual.

Eliminación del antiguo dispositivo



Este símbolo indica que no deberá deshacerse del producto eléctrico o batería en cuestión junto con los residuos domésticos, en el ámbito de la UE. Para garantizar un tratamiento residual correcto del producto y su batería, por favor, elimínelos cumpliendo con las leyes locales aplicables sobre requisitos para el desechado de equipos eléctricos y baterías. De hacerlo, ayudará a conservar recursos naturales y mejorar los estándares de protección medioambiental en el tratamiento y eliminación de residuos eléctricos (Directiva sobre la Eliminación de Equipos Eléctricos y Electrónicos).

Marca CE

Por la presente, Lenco Benelux B.V., Thermiekstraat 1a, 6361 HB Nuth, Países Bajos, declara que este producto cumple con las exigencias esenciales de las directivas de la UE.

Se puede consultar la declaración de conformidad a través de techdoc@commaxxgroup.com



Servicio

Para obtener más información y soporte del departamento técnico, por favor, visite la página web www.lenco.com

Lenco Benelux BV, Thermiekstraat 1a, 6361 HB, Países Bajos.