

**Model: LS-50LED**



|                              |  |
|------------------------------|--|
| <b>USER MANUAL</b>           | <b>Turntable with Built-in speakers and lighting animations</b>              |
| <b>GEBRUIKERSHANDLEIDING</b> | <b>Platenspeler met ingebouwde luidsprekers en lichtanimaties</b>            |
| <b>BEDIENUNGSANLEITUNG</b>   | <b>Plattenspieler mit eingebauten Lautsprechern und Lichtanimationen</b>     |
| <b>MODE D'EMPLOI</b>         | <b>Tourne-disque avec haut-parleurs intégrés et animations lumineuses</b>    |
| <b>MANUAL DE USUARIO</b>     | <b>Tocadiscos con altavoces incorporados y animaciones luminosas</b>         |
| <b>MANUALE D'USO</b>         | <b>Giradischi con altoparlanti incorporati e animazioni di illuminazione</b> |

**Index**

|                  |    |
|------------------|----|
| English .....    | 3  |
| Nederlands ..... | 16 |
| Deutsch .....    | 29 |
| Français .....   | 43 |
| Español .....    | 56 |
| Italiano .....   | 70 |

Version : 1.0

**CAUTION:**

Usage of controls or adjustments or performance of procedures other than those specified herein may result in hazardous radiation exposure.

**PRECAUTIONS BEFORE USE**

---

**KEEP THESE INSTRUCTIONS IN MIND:**

1. Do not cover or block any ventilation openings. When placing the device on a shelf, leave 5 cm (2") free space around the whole device.
2. Install in accordance with the supplied user manual.
3. Keep the device away from heat sources such as radiators, heaters, stoves, candles and other heat-generating products or naked flame. The device can only be used in moderate climates. Extremely cold or warm environments should be avoided. Working temperature between 0° and 35°C.
4. Avoid using the device near strong magnetic fields.
5. Electrostatic discharge can disturb normal usage of this device. If so, simply reset and restart the device following the instruction manual. During file transmission, please handle with care and operate in a static-free environment.
6. Warning! Never insert an object into the product through the vents or openings. High voltage flows through the product and inserting an object can cause electric shock and/or short circuit internal parts. For the same reason, do not spill water or liquid on the product.
7. Do not use in wet or moist areas such as bathrooms, steamy kitchens or near swimming pools.
8. The device shall not be exposed to dripping or splashing and make sure that no objects filled with liquids, such as vases, are placed on or near the apparatus.
9. Do not use this device when condensation may occur. When the unit is used in a warm wet room with damp, water droplets or condensation may occur inside the unit and the unit may not function properly; let the unit stand in power OFF for 1 or 2 hours before turning on the power: the unit should be dry before getting any power.
10. Although this device is manufactured with the utmost care and checked several times before leaving the factory, it is still possible that problems may occur, as with all electrical appliances. If you notice smoke, an excessive build-up of heat or any other unexpected phenomena, you should disconnect the plug from the main power socket immediately.
11. This device must operate on a power source as specified on the specification label. If you are not sure of the type of power supply used in your home, consult your dealer or local power company.
12. Keep away from animals. Some animals enjoy biting on power cords.
13. To clean the device, use a soft dry cloth. Do not use solvents or petrol based fluids. To remove severe stains, you may use a damp cloth with dilute detergent.
14. The supplier is not responsible for damage or lost data caused by malfunction, misuse, modification of the device or battery replacement.
15. Do not interrupt the connection when the device is formatting or transferring files. Otherwise, data may be corrupted or lost.
16. If the unit has USB playback function, the USB memory stick should be plugged into the unit directly. Don't use an USB extension cable because it can cause interference resulting in failing of data.
17. The rating label has been marked on the bottom or back panel of the device.
18. This device is not intended for use by people (including children) with physical, sensory or mental disabilities, or a lack of experience and knowledge, unless they're under supervision or have received instructions about the correct use of the device by the person who is responsible for their safety.
19. This product is intended for non professional use only and not for commercial or industrial use.
20. Make sure the unit is adjusted to a stable position. Damage caused by using this product in an unstable position vibrations or shocks or by failure to follow any other warning or precaution contained within this user manual will not be covered by warranty.
21. Never remove the casing of this device.
22. Never place this device on other electrical equipment.
23. Do not allow children access to plastic bags.

24. Only use attachments/accessories specified by the manufacturer.
25. Refer all servicing to qualified service personnel. Servicing is required when the device has been damaged in any way, such as the power supply cord or the plug, when liquid has been spilled or objects have fallen into the device, when the device has been exposed to rain or moisture, does not operate normally, or has been dropped.
26. Long exposure to loud sounds from personal music players may lead to temporary or permanent hearing loss.
27. If the product is delivered with power cable or AC power adaptor:
  - If any trouble occur, disconnect the AC power cord and refer servicing to qualified personnel.
  - Don't step on or pinch the power adaptor. Be very careful, particularly near the plugs and the cable's exit point. Do not place heavy items on the power adaptor, which may damage it. Keep the entire device out of children's reach! When playing with the power cable, they can seriously injure themselves.
  - Unplug this device during lightning storms or when unused for a long period.
  - The socket outlet must be installed near the equipment and must be easily accessible.
  - Do not overload ac outlets or extension cords. Overloading can cause fire or electric shock.
  - Devices with class 1 construction should be connected to a main socket outlet with a protective earthed connection.
  - Devices with class 2 construction do not require a earthed connection.
  - Always hold the plug when pulling it out of the main supply socket. Do not pull the power cord. This can cause a short circuit.
  - Do not use a damaged power cord or plug or a loose outlet. Doing so may result in fire or electric shock.
28. If the product contains or is delivered with a remote control containing coin/cell batteries:
 

Warning:

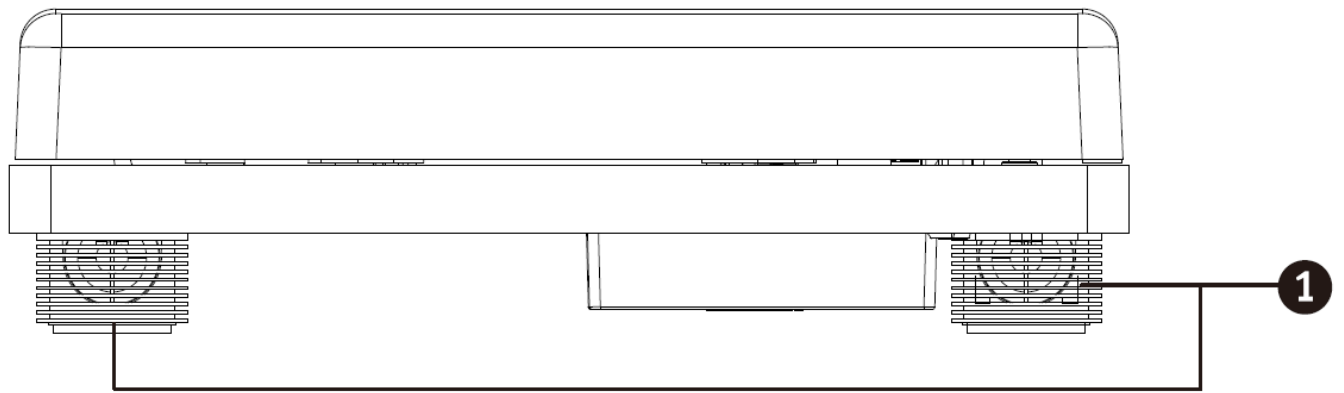
  - "Do not ingest battery, Chemical Burn Hazard" or equivalent working.
  - [The remote control supplied with] This product contains a coin/button cell battery. If the battery is swallowed, it can cause severe internal burns in just 2 hours and can lead to death.
  - Keep new and used batteries away from children.
  - If the battery compartment does not close securely, stop using the product and keep it away from children.
  - If you think batteries might have been swallowed or placed inside any part of the body, seek immediate medical attention.
29. Caution about the use of Batteries:
  - Danger of explosion if battery is incorrectly replaced. Replace only with the same or equivalent type.
  - Battery cannot be subjected to high or low extreme temperatures, low air pressure at high altitude during use, storage or transportation.
  - Replacement of a battery with an incorrect type that can result in an explosion or the leakage of flammable liquid or gas.
  - Disposal of a battery into fire or a hot oven, or mechanically crushing or cutting of a battery, that can result in an explosion.
  - Leaving a battery in an extremely high temperature surrounding environment that can result in an explosion or that leakage of flammable liquid or gas.
  - A battery subjected to extremely low air pressure that may result in an explosion or the leakage of flammable liquid or gas.
  - Attention should be drawn to the environmental aspects of battery disposal.

#### **INSTALLATION**

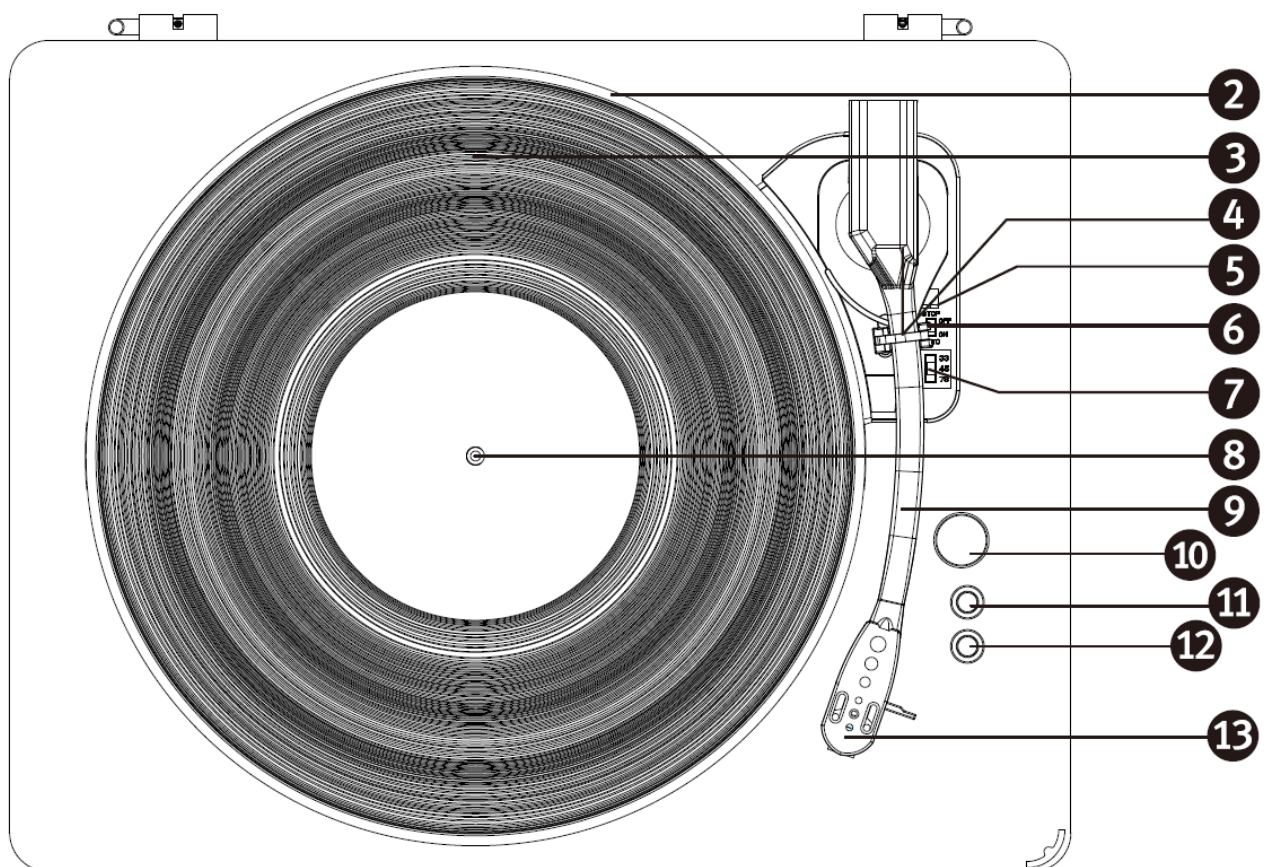
- Unpack all parts and remove protective material.
- Do not connect the unit to the mains before checking the mains voltage and before all other connections have been made.

1. TURNTABLE PARTS:

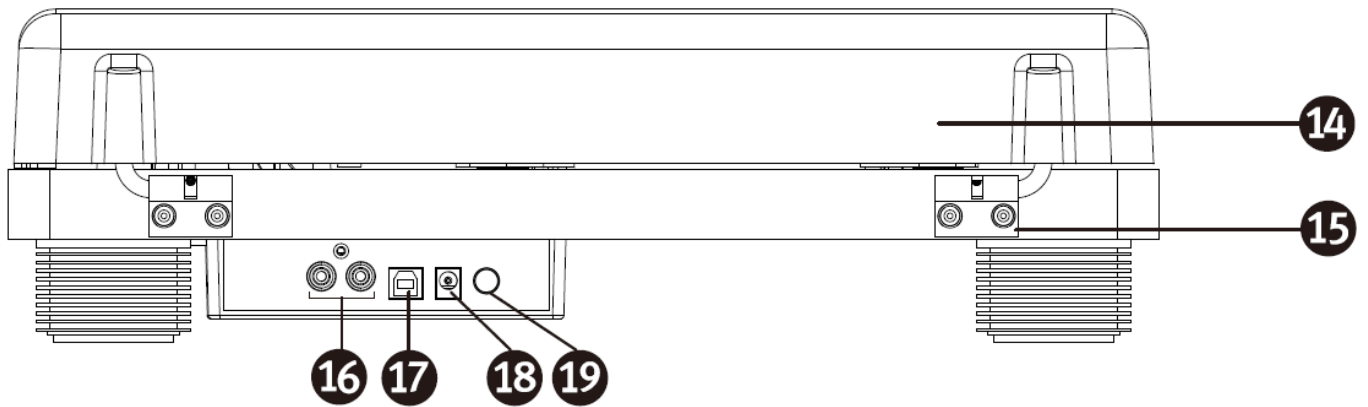
FRONT



TOP



## BACK



1. Speaker
2. Turntable Platter
3. Slip Mat
4. Lift Lever Turntable Arm Lock
5. Lift Lever
6. Auto Stop Control Switch
7. Speed Selection Switch
8. Turntable Shaft
9. Turntable Arm
10. Volume Knob
11. Lighting button 1 (ON/OFF, Color)
12. Lighting button 2 (Music, Fade)
13. Phono Stylus Cartridge
14. Removable Dust Cover
15. Hinge
16. RCA Output Jack
17. USB Jack
18. Power Adaptor Jack
19. Power ON/OFF Button

## 2. LED Control

Lighting button 1 (ON/OFF, Color)

Long Press – LED On/Off

Short Press – LED color change (Red, Green, Blue, Red+Green, Red+Blue, Green+Blue, White)

Lighting button 2 (Music, Fade)

Long Press – LED Fading animation: colors will softly change

Short Press – LED animations following the beats of the music

## 3. LISTENING TO A RECORD

1. Raise the dust cover
2. Press the Power ON/OFF Button.
3. Place a record on the turntable platter and set the player speed to match the record speed.

NOTE: when playing a single (a 45 rpm record) and/or records with large centre holes, use the 45 rpm adapter.

Remove the needle cartridge protective cover and unlock the tone arm lock from the tone arm rest. Push the lift lever backward, the tone arm will gently rise up. Gently move the tone arm to the desired position over the record and the turntable platter will begin to rotate when the arm is moved towards it if Auto Stop Control Switch is ON. Release the tone arm onto the turntable by pushing the lift lever forward and the vinyl record will begin to play.

If the Auto Stop Control Switch is turned ON, the record will stop automatically when finished. If Auto Stop Control Switch is turned OFF, the record will NOT stop automatically when finished; you must push the lift lever backward to raise the tone arm and place it back in the rest and then turn off the power to stop the turntable from spinning.

**Remark:** AUTO STOP function applies to most 33RPM vinyl records. However, for very few vinyl records, it will stop when it does not come to the end, or it will not stop when it comes to the end when AUTO STOP is ON.

4. Connect the RCA Output Jack to the external speaker system with the RCA cable (not provided) to enjoy vinyl records music on your speaker system.

## 4. HOW TO REPLACE THE NEEDLE

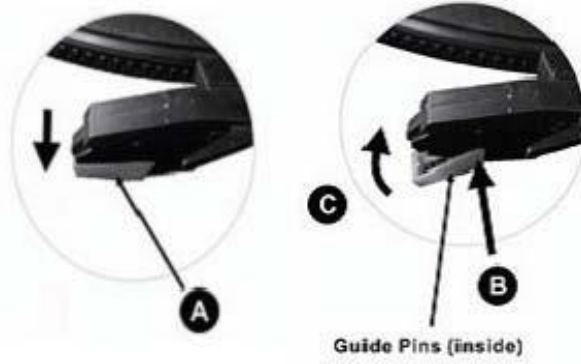
To replace the needle, please refer to the instructions below.

### Removing the needle from the cartridge

1. Place a screwdriver at the tip of the needle headshell and push downwards in the direction shown in sketch "A"
2. Remove the needle headshell by pulling it forwards and pushing downwards.

### Inserting the needle

1. Hold the tip of the needle headshell and insert it by pressing in the direction illustrated by "B".
2. Push the needle headshell upwards in the direction illustrated by "C" until the needle locks into the tip position.





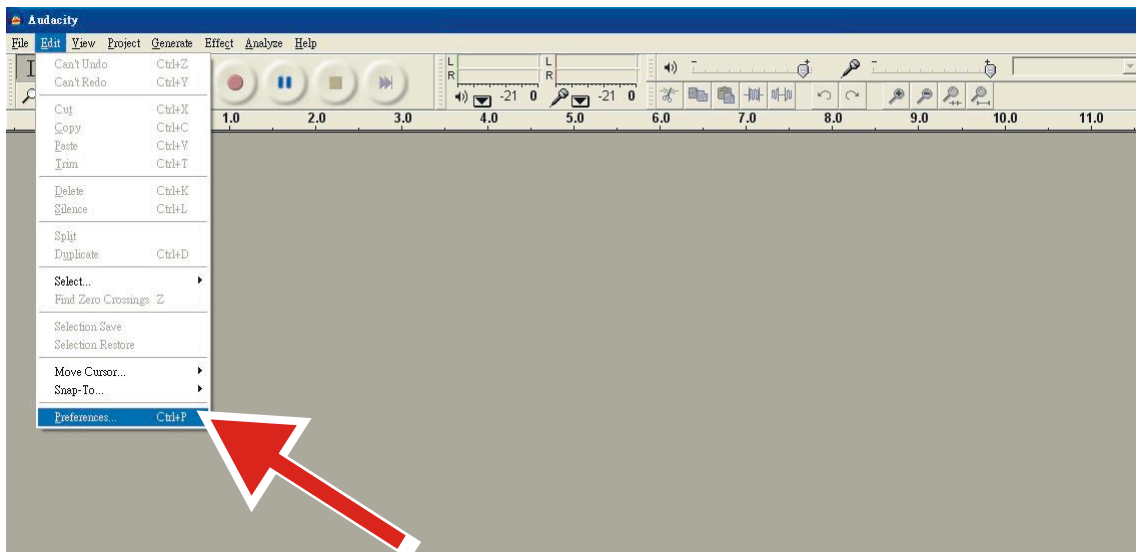
## AUDACITY SOFTWARE OVERVIEW

Audacity is free software, licensed under the GNU General Public License (GPL). More information as well as open source code can be found on the web at <https://www.audacityteam.org/download/>

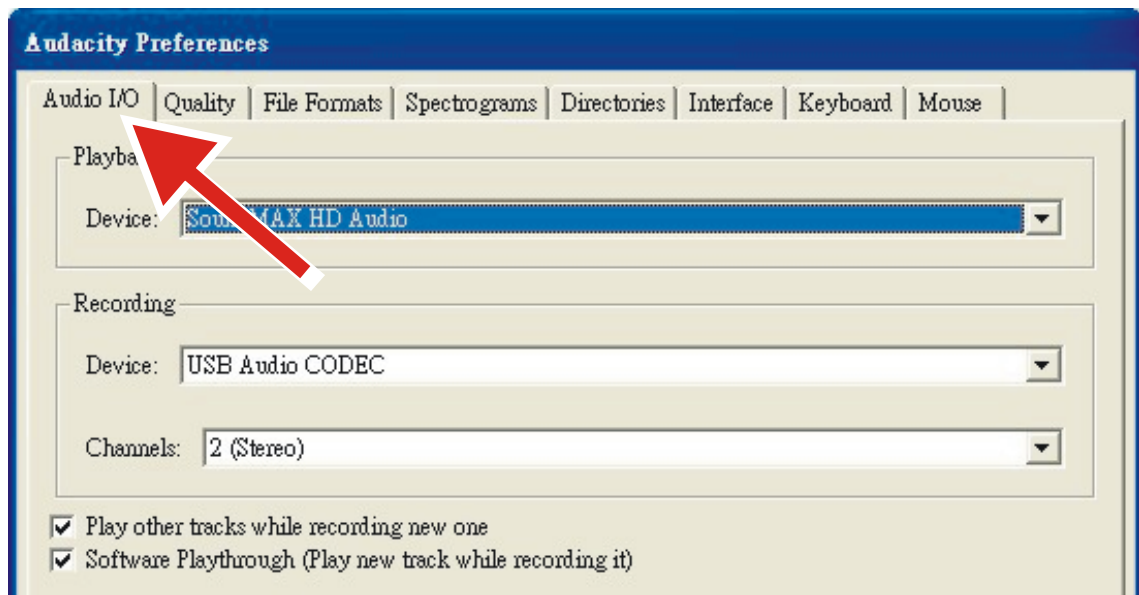
\* Please ensure you have installed the software before starting.

### Setting up your PC to work with Audacity

1. Connect an input source to the unit.
2. Connect the USB lead to your computer.
3. Install the Audacity recording software.
4. Open the Audacity program.
5. Select Preferences from the Edit tab in the Audacity Menu.



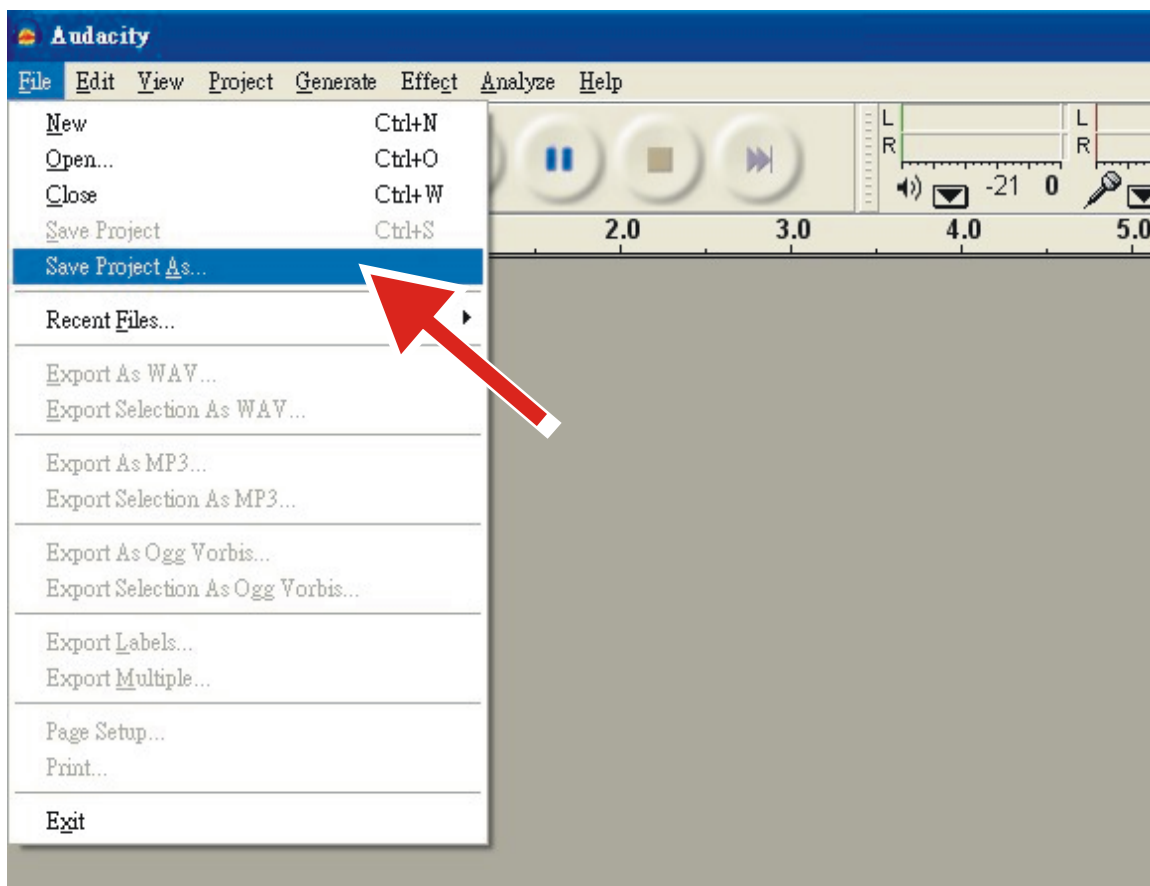
6. Select **Audio I/O** tab at the top left.
  - Under Playback, Device, select **your internal sound card**.
  - Under Recording, Device, select **USB Audio CODEC**.
  - Under Recording, Channels, select **2 (Stereo)**.
  - Check the box marked **Play other tracks while recording new one**.
  - Check the box marked **Software Playthrough**.



## Recording Albums with Audacity

### 1. Saving a project

- Audacity writes all the changed and recorded audio to a directory called **Projectname\_data**, which is located right where you saved the project file itself.
- Thus, select **Save Project as** from your Audacity File tab and choose a location and filename for your project.
- Please note that when you startup Audacity fresh, only the **“Save As...”** menu option is available.

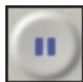


## 2. How to record

- Set your USB turntable up to play the song or album you want to record.

- Click on the red Record button  to begin recording.

- Lower tone arm on USB turntable onto album and track you want to record.

- Click on the blue Pause button  to pause the recording. Press it again to continue.

- Click on the yellow Stop button. 

That's it. You can now play around with your recording and explore the editing capabilities of Audacity. Remember that you can use the Undo function almost without limits while the project is open.

**NOTE:** CD's cannot be burned directly from the Audacity application. Other CD burning applications should be used.

**Remark:** For advanced operation, refer instructions inside CD.

## **1. TIPS FOR BETTER TURNTABLE PERFORMANCE**

1. When opening or closing the turntable cover, handle it gently, gripping it either at the centre or at each side.
2. Do not touch the needle tip with your fingers; avoid bumping the needle against the turntable platter or record edge.
3. Frequently clean the needle tip-use a soft brush in a “back-to-front” motion only.
4. If you must use a needle cleaning fluid, use very sparingly.
5. Gently wipe the dust cover and turntable housing with a soft cloth. Use only a small amount of mild detergent to clean the turntable and dust cover.
6. Never apply harsh chemicals or solvents to any part of the turntable system.
7. Weight at the backend of the tone arm is set at standard needle pressure, it is not recommended to do adjustment; otherwise, it may affect the normal use of this turntable.

## 2. TECHNICAL SPECIFICATIONS

|                            |  |
|----------------------------|--|
| Lenco                      |  |
| Turntable                  | LS-50  |
| Type                       | Belt drive full manual                             |
| Drive Motor                | DC motor   |
| Speed                      | 33 1/3 rpm, 45 rpm, 78 rpm                         |
| Wow and flutter            | <0.35%   |
| Turntable platter          | 300mm  |
| Cartridge                  |  |
| Type                       | Ceramic cartridge 402-M208-015                     |
| Stylus                     | 0.7 mil  |
| Optimum tracking force     | 4-6 gram   |
| Output                     | 160-380mv(HP-4005)                                 |
| Frequency response         | -28db(10KHz)                                       |
| Crosstalk                  | 10db(1KHz)   |
| Signal-to-noise ratio(S/N) | 40db   |
| General                    |  |
| ADAPTOR                    | input AC100-240V~50/60Hz0.5A<br>output DC12V1000mA |
| PRODUCT                    | DC12V1000mA  |
| Audio output (Line Out)    | 400-600mv  |
| Power consumption          | 12W  |
| Dimension                  | 410x330x118MM                                      |
| Net weight                 | approx 3.23KGS                                     |

### Power supply adaptor

Manufacturer: SHENZHEN SHI GUANGKAIYUAN TECHNOLOGY.,LTD.

Model number: GKYP50100120EU1

**Use only original AC adaptor**

**Use only the power supply listed in the user instructions**

| Information   | Value and and precision   |
|---|---|
| Manufacturers name or trade mark, commercial registration and address | SHENZHEN SHI GUANGKAIYUAN TECHNOLOGY.,LTD.<br><br>2 floor, 41 TianSheng Road, TianLiao village, GongMing Stree, Guangming, Shenzhen, GuangDong, P.R.China |
| Model Identifier  | GKYPS0100120EU1   |
| Input voltage   | 100-240V  |
| Input AC frequency  | 50-60 Hz  |
| Output voltage  | 12V   |
| Output current  | 1A  |
| Output Power  | 12W   |
| Average active efficiency   | 83.5%   |
| Efficiency at low load (10%)  | 78%   |
| No load Power consumption   | 0.068W  |

## 1. Guarantee

Lenco offers service and warranty in accordance to European law, which means that in case of repairs (both during and after the warranty period) you should contact your local dealer.

Important note: It is not possible to send products that need repairs to Lenco directly.

Important note: If this unit is opened or accessed by a non-official service center in any way, the warranty expires.

This device is not suitable for professional use. In case of professional use, all warranty obligations of the manufacturer will be voided.

## 2. Disclaimer

Updates to Firmware and/or hardware components are made regularly. Therefore some of the instruction, specifications and pictures in this documentation may differ slightly from your particular situation. All items described in this guide for illustration purposes only and may not apply to particular situation. No legal right or entitlements may be obtained from the description made in this manual.

## 3. Disposal of the Old Device



This symbol indicates that the relevant electrical product or battery should not be disposed of as general household waste in Europe. To ensure the correct waste treatment of the product and battery, please dispose them in accordance to any applicable local laws of requirement for disposal of electrical equipment or batteries. In so doing, you will help to conserve natural resources and improve standards of environmental protection in treatment and disposal of electrical waste (Waste Electrical and Electronic Equipment Directive).

## 4. CE Marking

Hereby, Lenco Benelux B.V., Thermiekstraat 1a, 6361 HB Nuth, The Netherlands, declares that this product is in compliance with the essential EU directive requirements.

The declaration of conformity may be consulted via [techdoc@commaxxgroup.com](mailto:techdoc@commaxxgroup.com)



## 5. Service

For more information and helpdesk support, please visit [www.lenco.com](http://www.lenco.com)

Lenco Benelux BV, Thermiekstraat 1a, 6361 HB, The Netherlands.

**OPGELET:**

Het gebruik van bedieningen of afstellingen of het uitvoeren van procedures anders dan hierin gespecificeerd, kan leiden tot blootstelling aan gevaarlijke straling.

**VOORZORGSMAATREGELEN VÓÓR GEBRUIK**

**NEEM MET DE VOLGENDE INSTRUCTIES IN ACHT:**

1. Bedek of blokkeer geen van de ventilatieopeningen. Als u het apparaat op een schap plaatst, dient u voor 5 cm vrije ruimte rondom het gehele apparaat te zorgen.
2. Installeer in overeenstemming met de meegeleverde gebruikshandleiding.
3. Houd het apparaat uit de buurt van warmtebronnen zoals radiatoren, kachels, fornuizen, kaarsen en andere warmtegenererende producten of open vuur. Het apparaat kan alleen worden gebruikt in gematigde klimaten. Extreem koude of warme omgevingen dienen te worden vermeden. Bedrijfstemperatuur tussen 0° en 35°C.
4. Gebruik het apparaat niet in de buurt van krachtige magnetische velden.
5. Elektrostatische ontlading kan de normale werking van dit apparaat verstoren. In dit geval kunt u het apparaat gewoon resetten en opnieuw starten volgens de gebruiksaanwijzingen. Wees voorzichtig tijdens bestandsoverdracht en voer dit uit in een omgeving zonder statische interferentie.
6. Waarschuwing! Steek geen voorwerpen in het product via de ventilatie- of andere openingen. Er is hoge spanning aanwezig in het product en als u er een voorwerp insteekt, kan dat tot elektrische schokken en/of kortsluiting van de interne onderdelen leiden. Laat om dezelfde reden geen water of vloeistof op het product terechtkomen.
7. Gebruik het apparaat niet in natte of vochtige ruimtes zoals badkamers, keukens met veel stoom of in de buurt van zwembaden.
8. Stel het apparaat niet bloot druppels of spetters en zorg ervoor dat er geen met vloeistof gevulde voorwerpen, zoals vazen, op of in de buurt van het apparaat worden geplaatst.
9. Gebruik dit apparaat niet als er condensatie kan optreden. Wanneer het apparaat in een warme en vochtige kamer wordt gebruikt, dan kunnen er waterdruppeltjes of condensatie binnenin het apparaat worden gevormd waardoor het apparaat mogelijk niet meer goed werkt; houd en apparaat 1 of 2 uur op UIT staan voordat u de voeding weer inschakelt: het apparaat dient droog te zijn voordat deze stroom ontvangt.
10. Al is dit apparaat met de grootste zorg vervaardigd en meerdere keren gecontroleerd voordat deze de fabriek verlaat, is het toch mogelijk dat er problemen optreden, zoals bij alle elektrische apparaten. Als u rook, overmatige warmteontwikkeling of andere onverwachte verschijnselen constateert, dient u onmiddellijk de stekker uit het stopcontact te trekken.
11. Dit apparaat moet van stroom worden voorzien door een bron zoals gespecificeerd op het nominale specificatielabel. Als u niet zeker weet welk type stroomvoorziening in uw huis wordt gebruikt, neem dan contact op met uw dealer of het plaatselijke energiebedrijf.
12. Houd uit de buurt van dieren. Sommige dieren knauwen graag aan voedingskabels.
13. Gebruik een zachte, droge doek om het apparaat schoon te maken. Gebruik geen oplosmiddelen of vloeistoffen op benzinebasis.  
U kunt een vochtige doek met verdund schoonmaakmiddel gebruiken om hardnekkige vlekken te verwijderen.
14. De leverancier is niet verantwoordelijk voor schade of verlies van gegevens veroorzaakt door storing, misbruik, modificatie van het apparaat of vervanging van de batterij.
15. Zorg ervoor de verbinding niet te verbreken terwijl het apparaat bezig is met formatteren of bestandsoverdracht. Gegevens kunnen anders corrupt of verloren raken.
16. Als het apparaat een USB-afspeelfunctie heeft, moet de USB-geheugenstick rechtstreeks in het apparaat worden gestoken. Gebruik geen USB-verlengsnoer, omdat deze interferentie kan veroorzaken waardoor uw gegevens verloren kunnen gaan.
17. Het nominale specificatielabel is te vinden op het onder- of achterpaneel van het apparaat.
18. Dit product is niet bestemd voor gebruik door personen (waaronder kinderen) met verminderde fysieke, zintuiglijke of mentale capaciteiten, of met een tekort aan kennis en ervaring, tenzij een persoon verantwoordelijk voor hun veiligheid toezicht houdt of instructies heeft gegeven voor het correcte gebruik van het apparaat.



19. Dit product is uitsluitend bedoeld voor niet-professioneel gebruik en niet voor commercieel of industrieel gebruik.
20. Zorg ervoor dit apparaat op een stabiele plek te plaatsen. Beschadigingen veroorzaakt door het gebruik van dit apparaat in een onstabiele positie, trillingen of schokken of door het niet opvolgen van andere waarschuwingen of voorzorgsmaatregelen beschreven in deze gebruikshandleiding, worden niet gedekt door de garantie.
21. Verwijder nooit de behuizing van dit apparaat.
22. Plaats dit apparaat nooit op andere elektrische apparatuur.
23. Houd plastic zakken uit de buurt van kinderen.
24. Gebruik alleen uitbreidingen/accessoires gespecificeerd door de fabrikant.
25. Laat alle reparaties over aan bevoegd onderhoudspersoneel. Reparatie is vereist wanneer het apparaat op enigerlei wijze is beschadigd, zoals een beschadigde voedingskabel of stekker, wanneer vloeistof is gemorst of voorwerpen in het apparaat zijn gevallen, wanneer het apparaat is blootgesteld aan regen of vocht, niet normaal functioneert of is gevallen.
26. Langdurige blootstelling aan harde geluiden van persoonlijke muzikspelers kan leiden tot tijdelijk of permanent gehoorverlies.
27. Als het product wordt geleverd met een voedingskabel of AC-stroomadapter:
  - Als er problemen optreden, koppel de AC-voedingskabel dan los en laat reparaties over aan bevoegd personeel.
  - Niet op de stroomadapter gaan staan of deze indrukken. Wees zeer voorzichtig, vooral in de buurt van de stekkers en waar de kabel uit het apparaat komt. Plaats geen zware voorwerpen op de stroomadapter, om beschadiging ervan te voorkomen. Houd het gehele apparaat buiten bereik van kinderen! Wanneer kinderen met de voedingskabel spelen, kunnen zij ernstig letsel oplopen.
  - Koppel dit apparaat los tijdens onweer of wanneer deze voor een lange periode niet wordt gebruikt.
  - Het stopcontact moet in de buurt van de apparatuur zijn geïnstalleerd en eenvoudig te bereiken zijn.
  - Zorg ervoor stopcontacten of verlengsnoeren niet te overbelasten. Overbelasting kan tot brand of elektrische schokken leiden.
  - Apparaten met een klasse 1 constructie moeten worden aangesloten op een stopcontact met een beschermende aardeverbinding.
  - Apparaten met een klasse 2 constructie vereisen geen aardeverbinding.
  - Houd altijd de stekker vast wanneer u deze uit het stopcontact trekt. Trek niet aan de voedingskabel. Dit kan anders een kortsluiting veroorzaken.
  - Gebruik geen beschadigde voedingskabel of stekker of een los stopcontact. Dit kan anders leiden tot brand of elektrische schokken.
28. Als het product een afstandsbediening met knoop-/celbatterijen bevat of daarmee wordt geleverd:
 

Waarschuwing:

  - "Batterij niet inslikken, gevaar op chemische brandwonden" of soortgelijke werking.
  - [De afstandsbediening meegeleverd met] Dit product bevat een knoop-/celbatterij. Als de batterij wordt ingeslikt, kan deze in slechts 2 uur ernstige en zelfs fatale interne brandwonden veroorzaken.
  - Houd zowel nieuwe als verbruikte batterijen uit de buurt van kinderen.
  - Als het batterijvak niet goed sluit, gebruik het product dan niet langer en houd het uit de buurt van kinderen.
  - Als u denkt dat batterijen zijn ingeslikt of in een lichaamsdeel zijn geplaatst, dient u onmiddellijk medische hulp in te roepen.
29. Waarschuwing m.b.t. het gebruik van batterijen:
  - Explosiegevaar als de batterij niet correct wordt vervangen. Vervang alleen door hetzelfde of een gelijkwaardig type.
  - Stel de batterij niet bloot aan extreem hoge of lage temperaturen of een lage luchtdruk op grote hoogte tijdens gebruik, opslag of transport.
  - Vervanging van een batterij door een incorrect type kan leiden tot een ontploffing of de lekkage van ontvlambare vloeistoffen of gas.
  - Verwijdering van een batterij in vuur of een hete oven of het mechanisch verpletteren of snijden van een batterij kan leiden tot een ontploffing.

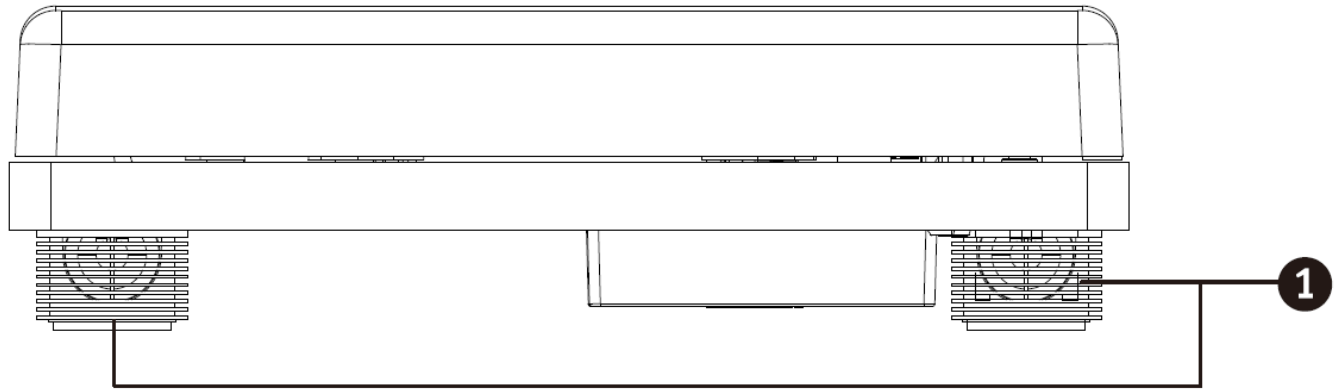
- Laat een batterij nooit achter in omgevingen met extreem hoge temperaturen, anders kan dit leiden tot een ontploffing of de lekkage van ontvlambare vloeistoffen of gas.
- Stel een batterij nooit bloot aan een extreem lage luchtdruk, anders kan dit leiden tot een ontploffing of de lekkage van ontvlambare vloeistoffen of gas.
- Houd rekening met de impact op het milieu bij het afdanken van batterijen.

#### **INSTALLATIE**

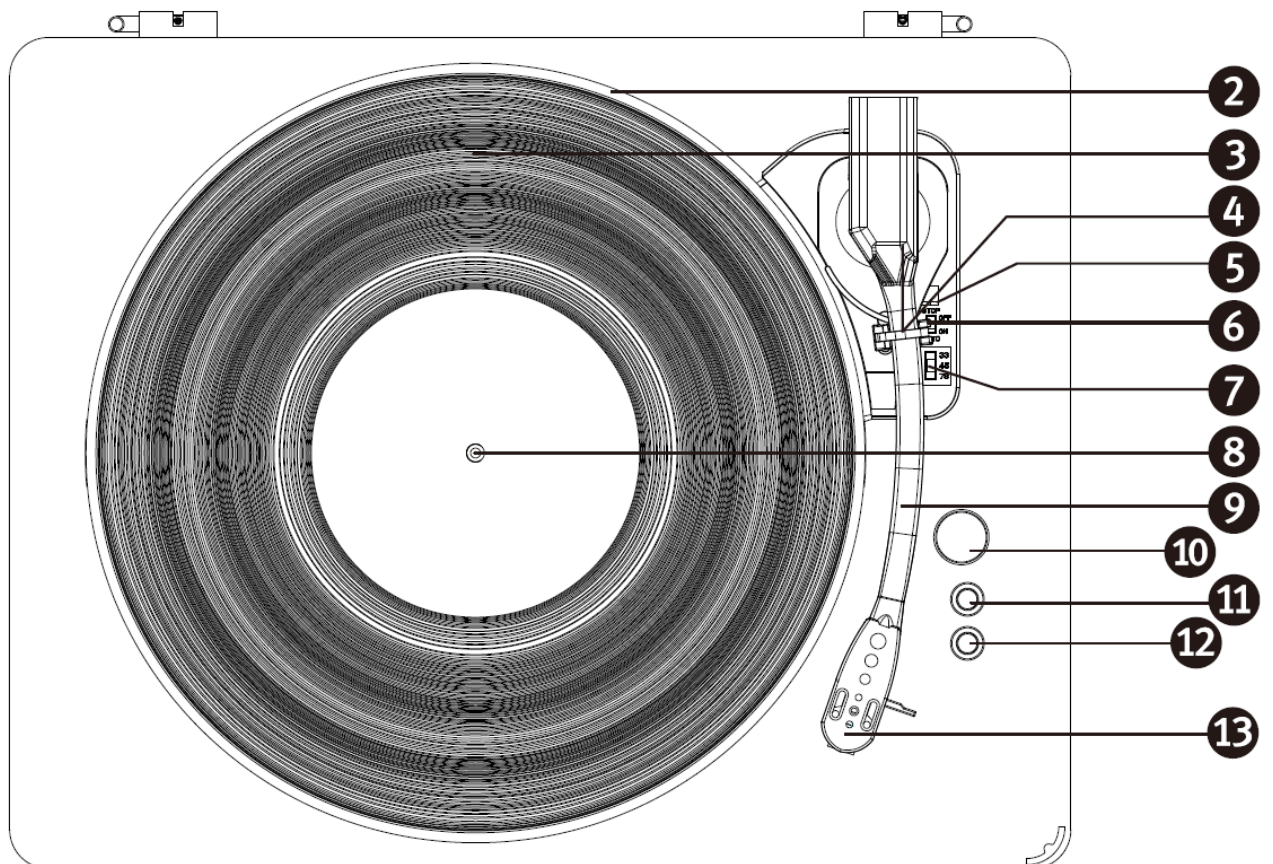
- Pak alle onderdelen uit en verwijder het beschermende materiaal.
- Sluit het apparaat niet aan op het lichtnet voordat de correcte netspanning is geverifieerd en alle andere aansluitingen tot stand zijn gebracht.

1. ONDERDELEN PLATENSPELER:

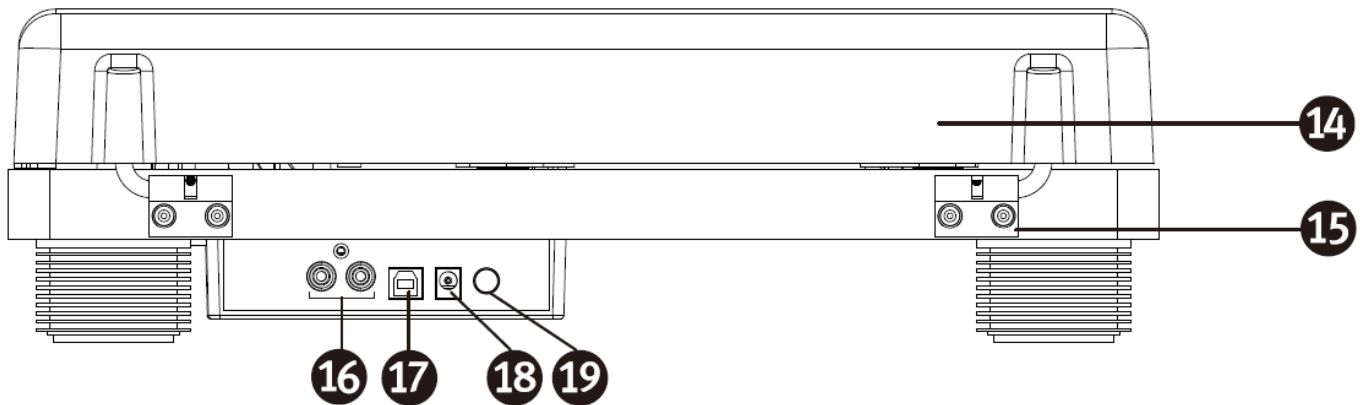
VOORKANT



BOVENKANT



## ACHTERKANT



1. Luidspreker
2. Draaiplateau
3. Slipmat
4. Hefhendel toonarmvergrendeling
5. Hefhendel
6. Bedieningsschakelaar automatische stop
7. Snelheidsselectieschakelaar
8. As
9. Toonarm
10. Volumeknop
11. Verlichtingsknop 1 (AAN/UIT, Kleur)
12. Verlichtingsknop 2 (muziek, vervagen)
13. Naaldcartridge
14. Afneembare stofkap
15. Scharnier
16. RCA-uitgangaansluiting
17. USB-aansluiting
18. Voedingsadapateraansluiting
19. Aan-/uitknop

## 2. Led-bediening

Verlichtingsknop 1 (AAN/UIT, Kleur)

Ingedrukt houden – led aan/uit

Indrukken – led-kleur verandert (rood, groen, blauw, rood en groen, rood en blauw, groen en blauw, wit)

Verlichtingsknop 2 (muziek, vervagen)

Ingedrukt houden – led-animatie vervaagt: kleuren veranderen langzaam

Indrukken – led-animaties volgen de maat van de muziek

## 3. EEN PLAAT AF SPELEN

1. Open de stofkap.
2. Druk op de aan-/uitknop.
3. Plaats een plaat op het draaiplateau en stel de afspeelsnelheid in op de snelheid van de plaat.  
OPMERKING: gebruik bij het afspelen van een single (een 45-toerenplaat) en/of platen met grote middengaten de 45-toerenadapter.

Verwijder de beschermkap van de naaldcartridge en ontgrendel de toonarmvergrendeling van de toonarmsteun. Duw de hefhendel naar achteren zodat de toonarm rustig omhoog komt. Beweeg de toonarm voorzichtig naar de gewenste positie boven de plaat. Het draaiplateau begint te draaien wanneer de toonarm ernaartoe wordt bewogen als de bedieningsschakelaar automatische stop op ON (AAN) staat. Laat de toonarm zakken op het draaiplateau door de hefhendel naar voren te duwen. De plaat begint af te spelen.

Indien de bedieningsschakelaar automatische stop op ON (AAN) staat, stopt de plaat automatisch aan het einde. Als de bedieningsschakelaar automatische stop op OFF (UIT) staat, stopt de plaat NIET automatisch stoppen aan het einde. In dat geval moet u de hefhendel naar achteren duwen om de toonarm omhoog te brengen en terug in de ruststand te plaatsen en vervolgens de platenspeler uitschakelen om het draaiplateau te laten stoppen met draaien.

**Opmerking:** de AUTOMATISCHE STOP-functie werkt alleen met de meeste 33-toerenplaten.

Bij de enkele platen stopt de plaat niet aan het einde of stopt de plaat niet wanneer AUTOMATISCHE STOP op ON (AAN) staat.

4. Sluit een extern luidsprekersysteem aan op de RCA-uitgangaansluiting met de RCA-kabel (niet meegeleverd) om te genieten van muziek op platen op uw luidsprekersysteem.

## 4. DE NAALD VERVANGEN

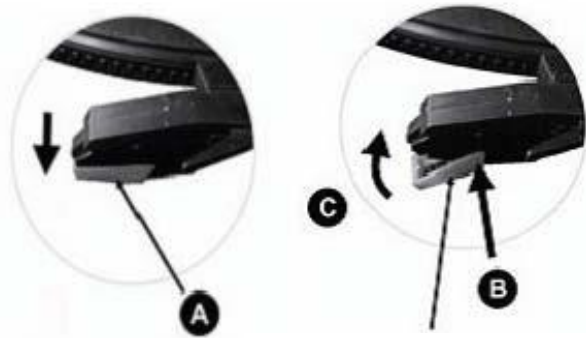
Raadpleeg de onderstaande instructies om de naald te vervangen.

### De naald uit de cartridge verwijderen

1. Plaats een schroevendraaier op de punt van de naaldkop en duw deze naar beneden zoals aangegeven met "A".
2. Verwijder de naaldkop door deze naar voren te trekken en naar beneden te duwen.

### De naald plaatsen

1. Houd de punt van de naaldkop vast en steek deze erin door in de richting te drukken zoals aangegeven met "B".
2. Duw de naaldkop naar boven in de richting zoals aangegeven met "C", totdat de naald in de punt vastklikt.



Geleidepennen (binnenkant)

### OVERZICHT AUDACITY-SOFTWARE

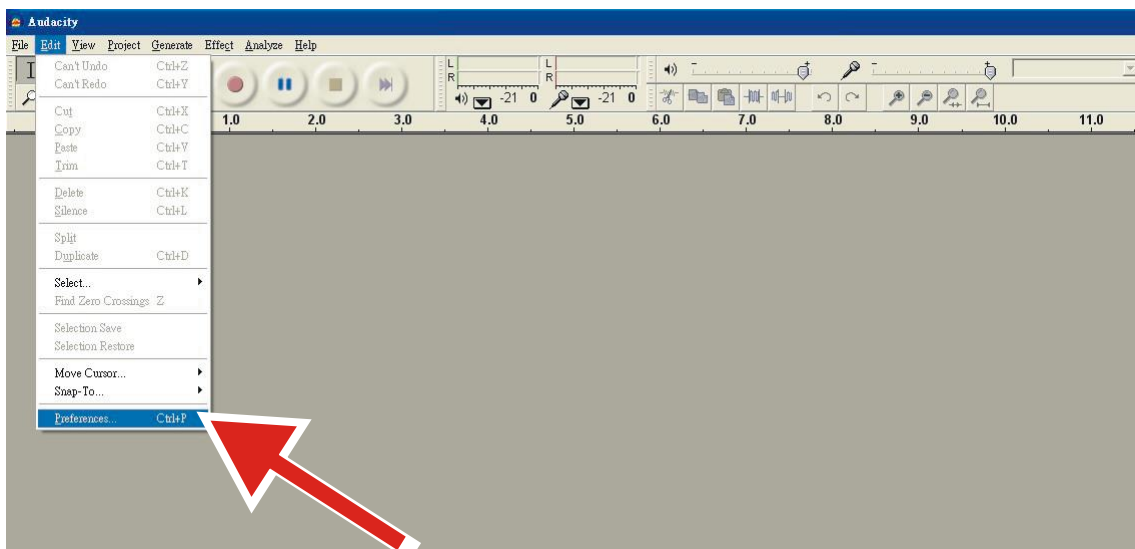
Audacity is gratis software, gelicentieerd onder de GNU General Public License (GPL).

Meer informatie en open broncode is te vinden op <https://www.audacityteam.org/download/>

\* **Zorg dat u de software heeft geïnstalleerd voordat u begint.**

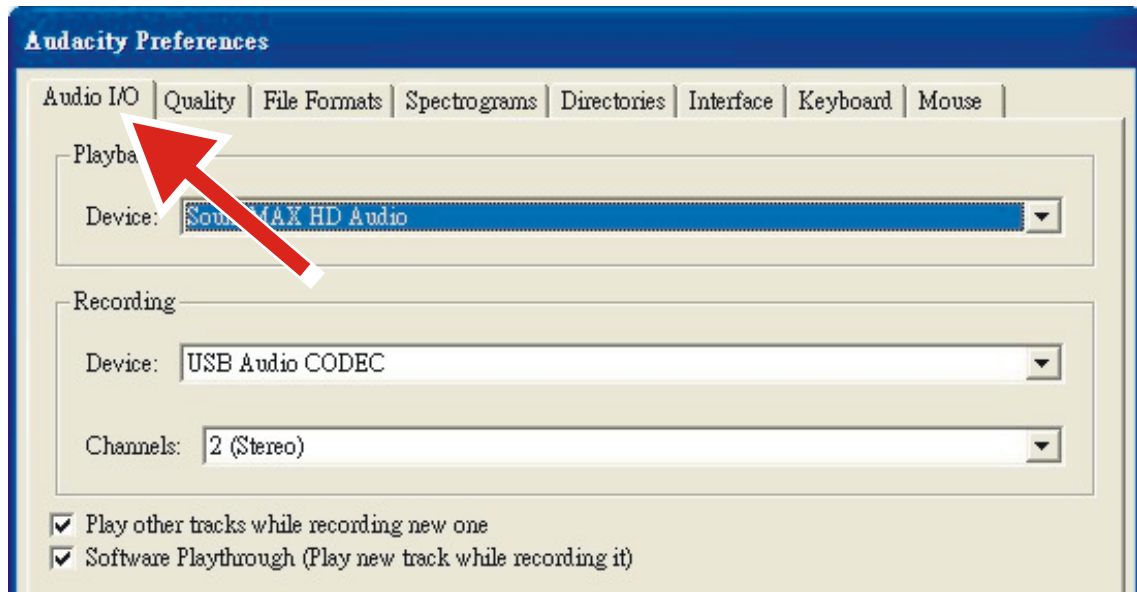
### Uw computer configureren om met Audacity te werken

1. Sluit een ingangsbron aan op het apparaat.
2. Sluit de USB-kabel aan op uw computer.
3. Installeer de Audacity-opnamesoftware.
4. Open het Audacity-programma.
5. Selecteer Preferences (Voorkeuren) op het tabblad Edit (Bewerken) in het Audacity-menu.



6. Selecteer het tabblad **Audio I/O** linksboven.
  - Selecteer onder Playback (Afspelen), Device (Apparaat), **your internal sound card (uw interne geluidskart)**.

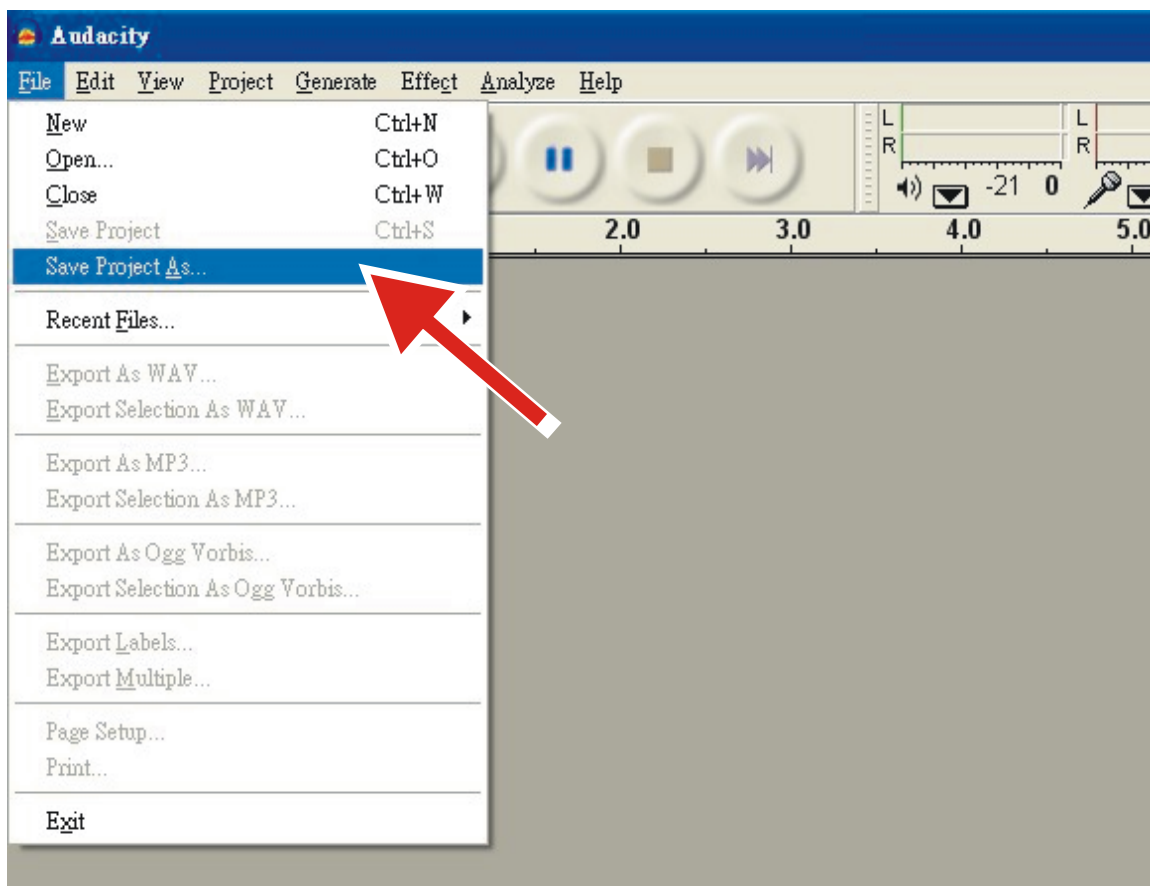
- Selecteer onder Recording (Opname), Device (Apparaat), **USB Audio CODEC (USB-audiocodec)**.
- Selecteer onder Recording (Opname), Channels (kanalen), **2 (Stereo)**.
- Vink het vakje **Play other tracks while recording new one (Andere tracks afspelen tijdens het opnemen van een nieuw track)** aan.
- Vink het vakje **Software Playthrough (Doorgifte software)** aan.



## Albums opnemen met Audacity

### 1. Een project opslaan

- Audacity schrijft alle gewijzigde en opgenomen audio naar een map genaamd **Projectnaam\_datum**, die zich bevindt in het projectbestand op de door u gekozen locatie.
- Selecteer dus **Save Project as (Project opslaan als)** op u het tabblad Audacity File (Audacity-bestand) en kies een locatie en bestandsnaam voor uw project.
- Als Audacity opnieuw opstart is alleen de menuoptie **Save As (Opslaan als)** beschikbaar.




## 2. Opnemen

- Stel uw USB-platenspeler in om het nummer of album af te spelen dat u wilt opnemen.




- Klik op de rode opnameknop  om de opname te beginnen.
- Laat de toonarm van de USB-platenspeler zakken op de juiste positie.



- Klik op de blauwe pauzeknop  om de opname te pauzeren. Druk nogmaals op de knop om het afspelen te hervatten.



- Klik op de gele stopknop .

Dat is het. U kunt nu uw opname bewerken en de bewerkingsmogelijkheden van Audacity verkennen. Onthoud dat u de functie Undo (Ongedaan maken) bijna onbeperkt kunt gebruiken zolang het project geopend is.

**OPMERKING:** cd's kunnen niet rechtstreeks vanuit Audacity worden gebrand. U moet hiervoor een ander programma gebruiken.

**Opmerking:** Raadpleeg de instructies op de CD voor geavanceerde bediening.



## **1. TIPS VOOR BETERE PRESTATIES VAN DE PLATENSPELER**

1. Open en sluit de stofkap van de platenspeler voorzichtig door deze in het midden of aan beide zijkanten vast te pakken.
2. Raak de naaldpunt niet met uw vingers aan en voorkom dat de naald tegen het draaiplateau of de rand van de plaat stoot.
3. Reinig de naaldpunt regelmatig. Gebruik hiervoor een zachte borstel en beweeg van voor naar achteren.
4. Beperk het gebruik van naaldreinigingsvloeistof.
5. Veeg de stofkap en de behuizing van de platenspeler voorzichtig af met een zachte doek. Gebruik enkel een kleine hoeveelheid mild reinigingsmiddel om de platenspeler en de stofkap te reinigen.
6. Gebruik geen agressieve chemicaliën of oplosmiddelen op enig deel van de platenspeler.
7. Het gewicht aan de achterzijde van de toonarm is ingesteld op de standaard naalddruk, het is niet aan te bevelen dit te wijzigen. Het wijzigen van de naalddruk kan het normale gebruik van de platenspeler beïnvloeden.

## 2. TECHNISCHE SPECIFICATIES

|                              |   |
|------------------------------|---|
| Lenco                        |   |
| Platenspeler                 | LS-50   |
| Type                         | Volledig handmatig met riemaandrijving                          |
| Aandrijvingsmotor            | Gelijkstroommotor   |
| Snelheid                     | 33 1/3 tpm, 45 tpm, 78 tpm                                      |
| Wow en flutter               | <0,35%  |
| Draaiplateau                 | 300 mm  |
| Cartridge                    |   |
| Type                         | Keramische cartridge 402-M208-015                               |
| Naald                        | 0,7 mil   |
| Optimale volgkracht          | 4-6 gram  |
| Uitvoer                      | 160-380 mv (HP-4005)  |
| Frequentiebereik             | -28 db (10 KHz)   |
| Overspraak                   | 10 db (1 KHz)   |
| Signaal-ruisverhouding (S/N) | 40 db   |
| Algemeen                     |   |
| ADAPTER                      | invoer AC 100-240 V~50/60 Hz, 0,5 A<br>uitvoer DC 12 V, 1000 mA |
| PRODUCT                      | DC 12 V, 1000 mA  |
| Audio-uitgang (lijnuitgang)  | 400-600 mv  |
| Stroomverbruik               | 12 W  |
| Afmetingen                   | 410x330x118 mm  |
| Nettogewicht                 | ongeveer 3,23 kg  |

### Voedingsadapter

Fabrikant: SHENZHEN SHI GUANGKAIYUAN TECHNOLOGY.,LTD.

Modelnummer: GKYPS0100120EU1

**Gebruik uitsluitend de originele AC-adapter.**

**Gebruik uitsluitend de voeding vermeld in de gebruikshandleiding.**

| Informatie  | Waarde en nauwkeurigheid  |
|---|---|
| Naam of handelsmerk van de fabrikant, handelsregistratie en adres | SHENZHEN SHI GUANGKAIYUAN TECHNOLOGY.,LTD.<br><br>2 floor, 41 TianSheng Road, TianLiao village, GongMing Stree, Guangming, Shenzhen, GuangDong, China |
| Model-ID  | GKYP50100120EU1   |
| Ingangsspanning   | 100-240 V   |
| AC-ingangsfrequentie  | 50-60 Hz  |
| Uitgangsspanning  | 12 V  |
| Uitgangsstroom  | 1 A   |
| Uitgangsvermogen  | 12 W  |
| Gemiddelde actieve efficiëntie                                    | 83,5%   |
| Efficiëntie bij lage belasting (10%)                              | 78%   |
| Stroomverbruik stand-by   | 0,068 W   |

## 1. Garantie

Lenco verleent service en garantie in overeenstemming met de Europese wetgeving, wat betekent dat u bij reparaties (zowel tijdens als na de garantieperiode) contact dient op te nemen met uw lokale dealer.

Belangrijke opmerking: Het is niet mogelijk om te repareren producten direct naar Lenco te sturen.

Belangrijke opmerking: Als dit apparaat op enigerlei wijze wordt geopend door de gebruiker of een niet-officieel servicecentrum, komt de garantie te vervallen.

Dit apparaat is niet geschikt voor professioneel gebruik. In het geval professioneel gebruik, komen alle garantieverplichtingen van de fabrikant te vervallen.

## 2. Disclaimer

Er worden regelmatig updates voor de firmware en/of hardwarecomponenten uitgegeven. Daarom kunnen sommige instructies, specificaties en afbeeldingen in deze documentatie enigszins afwijken van uw specifieke situatie. Alle items beschreven in deze handleiding, zijn alleen bestemd ter illustratie en zijn mogelijk niet van toepassing op een bepaalde situatie. Aan de beschrijving in deze handleiding kunnen geen wettelijke rechten of aanspraken worden ontleend.

## 3. Het oude apparaat afdanken



Dit symbool geeft aan dat het betreffende elektrische product of de batterij in Europa niet als algemeen huishoudelijk afval mag worden afgevoerd. Om ervoor te zorgen dat het product en de batterij op de juiste manier worden verwerkt, dient u deze af te danken in overeenstemming met de toepasselijke lokale wetgeving met betrekking tot de verwijdering van elektrische apparatuur of batterijen. U helpt hierdoor natuurlijke hulpbronnen te behouden en de normen voor milieubescherming bij de behandeling en verwijdering van elektrisch afval te verbeteren (richtlijn afgedankte elektrische en elektronische apparatuur).

## 4. CE-markering

Lenco Benelux B.V., Thermiekstraat 1a, 6361 HB Nuth, Nederland, verklaart hierbij dat dit product in overeenstemming is met de essentiële vereisten van EU-richtlijnen.

De verklaring van conformiteit is te vinden op [techdoc@commmaxxgroup.com](mailto:techdoc@commmaxxgroup.com)



## 5. Service

Bezoek voor meer informatie en helpdeskondersteuning [www.lenco.com](http://www.lenco.com)

Lenco Benelux BV, Thermiekstraat 1a, 6361 HB, Nederland.

**ACHTUNG:**

Die Verwendung von Bedienelementen oder Einstellungen oder die Durchführung von Verfahren, die nicht in dieser Anleitung beschrieben sind, kann zu einer gefährlichen Strahlenbelastung führen.

**SICHERHEITSHINWEISE VOR DEM GEBRAUCH**

**BEFOLGEN SIE IMMER FOLGENDE ANWEISUNGEN:**

1. Blockieren oder bedecken Sie keine Lüftungsöffnungen. Wenn Sie das Gerät auf ein Regal stellen, lassen Sie um das gesamte Gerät 5 cm Freiraum.
2. Stellen Sie das Gerät wie in der Bedienungsanleitung beschrieben auf.
3. Halten Sie das Gerät von Hitzequellen wie Radiatoren, Heizern, Öfen, Kerzen oder anderen hitzeerzeugenden Produkten oder offenen Flammen fern. Das Gerät darf nur bei gemäßigttem Klima verwendet werden. Sehr kalte oder heiße Umgebungen sind zu vermeiden. Die Betriebstemperatur liegt zwischen 0 °C und 35 °C.
4. Verwenden Sie das Gerät nicht in der Nähe starker Magnetfelder.
5. Elektrostatische Entladungen können die ordnungsgemäße Funktion dieses Geräts stören. Sollte dies geschehen, führen Sie einfach einen Reset aus und starten Sie dann das Gerät neu, wie in der Bedienungsanleitung beschrieben. Gehen Sie besonders bei Datenübertragungen mit dem Gerät vorsichtig um und führen Sie diese nur in einer elektrostatikfreien Umgebung durch.
6. Warnung! Niemals Gegenstände durch die Lüftungsschlitze oder Öffnungen in das Gerät stecken. In diesem Gerät fließt Hochspannung und das Hineinstecken von Gegenständen kann zu elektrischem Schock und/oder Kurzschluss interner elektrischer Bauteile führen. Spritzen/Gießen Sie aus dem gleichen Grund kein Wasser oder Flüssigkeiten auf das Gerät.
7. Benutzen Sie das Gerät nicht in nasser oder feuchter Umgebung wie Bad, Dampfküche oder in der Nähe von Schwimmbecken.
8. Das Gerät darf weder Tropf- noch Spritzwasser ausgesetzt werden und es dürfen keine mit Flüssigkeit gefüllten Behälter wie z. B. Vasen auf das Gerät oder in der Nähe des Gerätes gestellt werden.
9. Benutzen Sie das Gerät nicht, wenn Kondensation entstehen kann. Wenn Sie das Gerät in einem warmen feuchten Raum mit Dampf benutzen, dann können Wassertropfen oder Kondensation in das Gerät eindringen und u. U. zu Fehlfunktionen des Geräts führen. Schalten Sie in diesem Fall das Gerät für 1 – 2 Stunden aus, bevor Sie es erneut einschalten, wobei Sie darauf achten sollten, dass das Gerät vollständig getrocknet ist, bevor Sie es wieder einschalten.
10. Obwohl dieses Gerät unter größter Sorgfalt hergestellt und vor Auslieferung mehrmals überprüft wurde, können trotzdem wie bei jedem anderen elektrischen Gerät auch Probleme auftauchen. Trennen Sie das Gerät bei Rauchentwicklung, starker Hitzeentwicklung oder jeder anderen unnatürlichen Erscheinung sofort vom Stromnetz.
11. Dieses Gerät ist durch eine Stromquelle wie auf dem Typenschild angegeben zu betreiben. Halten Sie bei Unsicherheiten über die Art Ihrer Stromversorgung in Ihrer Wohnung Rücksprache mit Ihrem Händler oder Ihrer Stromzuliefererfirma.
12. Halten Sie das Gerät von Haustieren fern. Einige Nagetiere lieben es, an Netzkabeln zu nagen.
13. Benutzen Sie für die Reinigung ein weiches und trockenes Tuch. Benutzen Sie niemals Lösungsmittel oder Flüssigkeiten auf Ölbasis. Benutzen Sie zum Entfernen hartnäckiger Flecken ein feuchtes Tuch mit mildem Reinigungsmittel.
14. Der Hersteller haftet nicht für Beschädigungen oder Datenverluste durch Fehlfunktion, Zweckentfremdung oder Modifikation des Geräts oder durch das Wechseln der Batterie.
15. Unterbrechen Sie die Verbindung nicht während einer Formatierung oder einer Datenübertragung. Bei Unterbrechung drohen Datenverlust und Datenbeschädigung.
16. Wenn das Gerät eine USB-Wiedergabefunktion besitzt, dann stecken Sie den USB-Stick direkt in das Gerät. Verwenden Sie kein USB-Verlängerungskabel, weil die erhöhte Störungsanfälligkeit zu Datenverlust führen kann.
17. Das Typenschild befindet sich an der Unter- oder Rückseite des Gerätes.

18. Dieses Gerät ist nicht zur Benutzung durch Personen (einschließlich Kinder) mit physischen, sensorischen oder mentalen Beeinträchtigungen oder ohne ausreichender Erfahrung vorgesehen, es sei denn, sie werden durch eine verantwortliche Person beaufsichtigt oder wurden in die ordnungsgemäße Bedienung des Gerätes durch eine für ihre Sicherheit verantwortlichen Person eingewiesen.
19. Dieses Produkt ist nur für den nicht-professionellen Gebrauch und nicht für gewerbliche oder industrielle Zwecke bestimmt.
20. Stellen Sie sicher, dass das Gerät in einer stabilen Position aufgestellt ist. Schäden, die durch Verwendung dieses Produkts in einer instabilen Position, durch Vibrationen, Stöße oder Nichtbeachtung der anderen in diesem Handbuch enthaltenen Warnungen und Sicherheitsmaßnahmen entstehen, werden nicht durch die Garantie abgedeckt.
21. Entfernen Sie niemals das Gehäuse dieses Geräts.
22. Stellen Sie dieses Gerät niemals auf andere elektrische Geräte.
23. Halten Sie Kinder von den Plastiktüten fern.
24. Benutzen Sie nur vom Hersteller spezifizierte Erweiterungen/Zubehörteile.
25. Lassen Sie alle Wartungs-/Reparaturarbeiten von qualifiziertem Servicepersonal ausführen. Reparatur/Wartung wird notwendig, wenn das Gerät in irgendeiner Weise wie beispielsweise am Netzkabel oder am Netzstecker beschädigt wurde oder wenn Flüssigkeit in das Gerät gelangt ist bzw. Gegenstände in das Gerät gefallen sind, das Gerät Regen oder Feuchtigkeit ausgesetzt war, es heruntergefallen ist oder nicht ordnungsgemäß funktioniert.
26. Langes Hören lauter Töne aus einem Musikgerät kann zum zeitweiligen oder permanenten Hörverlust führen.
27. Wenn zum Lieferumfang des Produkts ein Netzkabel oder ein Netzadapter gehört:
  - Wenn irgendwelche Probleme auftreten, dann trennen Sie das Gerät vom Stromnetz und setzen Sie sich anschließend mit einer qualifizierten Fachkraft in Verbindung.
  - Treten Sie nicht auf den Netzadapter und klemmen Sie ihn auch nicht ein. Seien Sie besonders im näheren Bereich des Netzsteckers und an der Stelle vorsichtig, an der das Netzkabel aus dem Gerät herausgeführt wird. Stellen Sie keine schweren Gegenstände auf den Netzadapter, weil er dadurch beschädigt werden kann. Halten Sie das gesamte Gerät außerhalb der Reichweite von Kindern! Durch Spielen mit dem Netzkabel können sie sich ernsthafte Verletzungen zuziehen.
  - Trennen Sie das Gerät während eines Gewitters oder bei längerer Nichtbenutzung vom Stromnetz.
  - Die Netzsteckdose muss sich in der Nähe des Geräts befinden und einfach zu erreichen sein.
  - Überlasten Sie Steckdosen und Verlängerungsleitungen nicht. Eine Überlastung kann zu Brandgefahr bzw. Stromschlag führen.
  - Geräte der Schutzklasse 1 müssen Sie an eine Netzsteckdose mit Schutzleiter anschließen.
  - Geräte der Schutzklasse 2 benötigen keinen Schutzleiteranschluss.
  - Halten Sie den Netzstecker in der Hand, wenn Sie ihn aus der Netzsteckdose ziehen. Ziehen Sie ihn nicht durch Zerren am Kabel heraus. Das kann zu einem Kurzschluss führen.
  - Verwenden Sie weder ein beschädigtes Netzkabel noch einen beschädigten Netzstecker oder eine lockere Steckdose. Missachtung kann zu Brand oder Stromschlag führen.
28. Wenn das Produkt mit einer Fernbedienung mit Batterien/Knopfzellen geliefert wird oder das Produkt eine derartige Fernbedienung umfasst:
 

Warnung:

  - Die Batterie nicht einnehmen – Verätzungsgefahr!
  - Die mit diesem Produkt mitgelieferte Fernbedienung enthält eine Knopfzelle. Das Verschlucken der Batterie kann innerhalb von nur 2 Stunden zu schwersten inneren Verbrennungen mit Todesfolge führen.
  - Halten Sie neue und gebrauchte Batterien von Kindern fern.
  - Falls sich das Batteriefach nicht richtig schließen lässt, dann benutzen Sie das Gerät nicht mehr und halten Sie es von Kindern fern.
  - Wenn Sie vermuten, dass Batterien verschluckt oder in eine Körperöffnung eingeführt worden sind, dann suchen Sie umgehend eine/-n Ärztin/Arzt auf.

29. Warnhinweise bzgl. der Verwendung von Batterien:

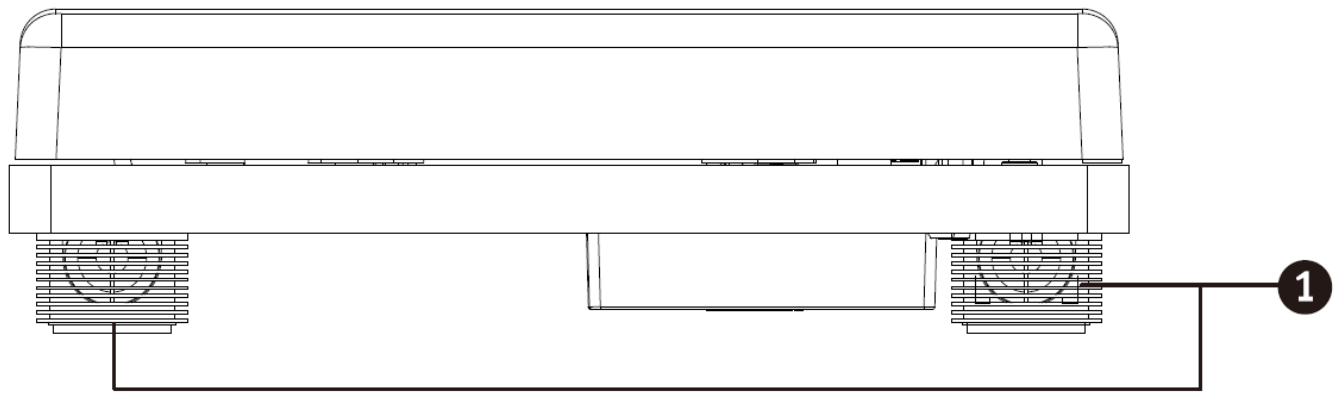
- Es besteht Explosionsgefahr, wenn der Akku nicht ordnungsgemäß ersetzt wird. Tauschen Sie die Batterie nur gegen eine Batterie des gleichen Typs aus.
- Die Batterie darf während der Benutzung, Aufbewahrung oder des Transports weder sehr hohen oder sehr niedrigen Temperaturen noch niedrigem Luftdruck in großen Höhenlagen ausgesetzt werden.
- Die Ersetzung der Batterie mit einem falschen Batterietyp kann zum Explodieren der Batterie oder zum Entweichen von entflammbarem Gas oder Auslaufen von entflammbarer Flüssigkeit aus der Batterie führen.
- Die Entsorgung der Batterie in Feuer oder einem heißen Ofen oder das mechanische Zerkleinern oder Zerteilen der Batterie kann zu Explosionen führen.
- Das Verbleiben der Batterie in einer Umgebung mit sehr hohen Temperaturen kann zum Explodieren der Batterie oder zum Entweichen von entflammbarem Gas oder Auslaufen von entflammbarer Flüssigkeit aus der Batterie führen.
- Eine in einem sehr niedrigen Luftdruck ausgesetzte Batterie kann explodieren oder es kann aus einer in einem sehr niedrigen Luftdruck ausgesetzten Batterie entflammbares Gas entweichen oder entflammbare Flüssigkeit auslaufen.
- Legen Sie besonderes Augenmerk auf den ökologischen Aspekt der Batterieentsorgung.

**AUFSTELLEN**

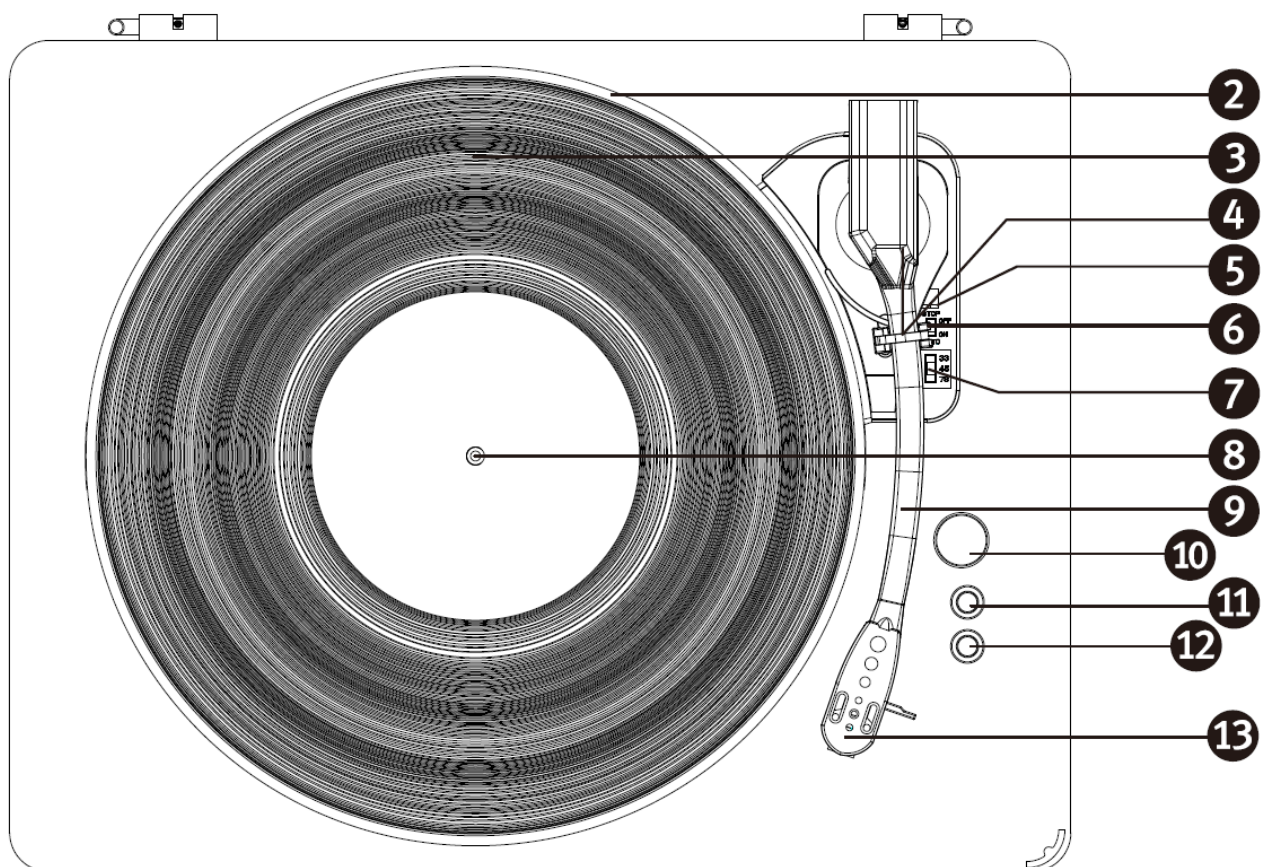
- Packen Sie alle Teile aus und entfernen Sie danach die Schutzmaterialien.
- Schließen Sie das Gerät nicht eher an das Stromnetz an, bevor Sie die Netzspannung überprüft haben und alle anderen notwendigen Verbindungen hergestellt sind.

1. KOMPONENTEN DES PLATTENSPIELERS:

VORDERSEITE

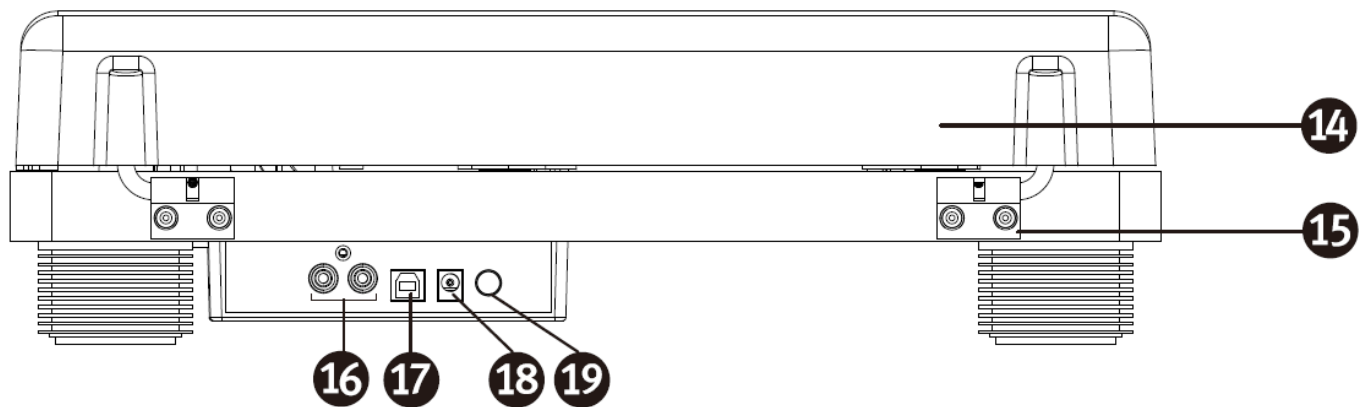


OBERSEITE





## RÜCKSEITE



1. Lautsprecher
2. Plattenteller
3. Plattentellerauflage
4. Tonarmheber Tonarm-Arretierung
5. Tonarmheber
6. Auto-Stopp-Schalter
7. Geschwindigkeitswahlschalter
8. Plattenspielererschaft
9. Tonarm
10. Lautstärkereglern
11. Beleuchtungstaste 1 (ein/aus, Farbe)
12. Beleuchtungstaste 2 (Musik, Überblenden)
13. Tonabnehmer
14. Abnehmbare Staubabdeckung
15. Scharnier
16. Cinch-Ausgang
17. USB-Anschluss
18. Netzteilanschluss
19. Ein-/Austaste

## 2. LED-Steuerung

Beleuchtungstaste 1 (ein/aus, Farbe)

Lange drücken – LED ein/aus

Kurz drücken – LED-Farbwechsel (Rot, Grün, Blau, Rot + Grün, Rot + Blau, Grün + Blau, Weiß)

Beleuchtungstaste 2 (Musik, Überblenden)

Lange drücken – LED-Überblendungsanimation: sanfter Farbwechsel

Kurz drücken – LED-Animationen folgen dem Takt der Musik

## 3. EINE SCHALLPLATTE ANHÖREN

1. Haben Sie die Staubabdeckung an.
2. Drücken Sie die Ein-/Austaste.
3. Legen Sie eine Schallplatte auf den Plattenteller und stellen Sie die Geschwindigkeit entsprechend der Geschwindigkeit der Schallplatte ein.  
Hinweis: Verwenden Sie zum Abspielen einer Single (eine Schallplatte für 45 U/min) und/oder Schallplatten mit größerem Loch in der Mitte einen Single-Puck.

Entfernen Sie die Schutzabdeckung des Tonabnehmers und entriegeln Sie den Tonarm auf der Tonarmauflage. Drücken Sie den Tonarmheber nach hinten, der Tonarm hebt sich langsam. Bewegen Sie den Tonarm vorsichtig in die gewünschte Position über der Schallplatte. Der Plattenteller beginnt sich zu drehen, sobald der Arm über ihn bewegt wird, sofern der Auto-Stopp-Schalter auf ON steht. Senken Sie den Tonarm auf die Schallplatte, indem Sie den Tonarmheber nach vorne drücken. Die Wiedergabe der Schallplatte beginnt.

Wenn der Auto-Stopp-Schalter auf ON steht, schaltet der Plattenspieler am Ende automatisch ab.

Wenn der Auto-Stopp-Schalter auf OFF steht, schaltet der Plattenspieler am Ende NICHT automatisch ab; Sie müssen den Tonarmheber nach hinten drücken, damit sich der Tonarm anhebt, und ihn auf der Tonarmauflage ablegen. Schalten Sie dann das Gerät aus, damit der Plattenteller aufhört sich zu drehen.

**Hinweis:** Die Auto-Stopp-Funktion funktioniert für die meisten Schallplatten für 33 U/min. Bei einigen wenigen Schallplatten kann es jedoch vorkommen, dass trotz Aktivierung der Auto-Stopp-Funktion der Plattenspieler vor dem Ende abschaltet oder am Ende nicht abschaltet.

4. Schließen Sie ein externes Lautsprechersystem über ein Cinchkabel (nicht im Lieferumfang enthalten) an den Cinch-Ausgängen an, um die Schallplattenwiedergabe über Ihr Lautsprechersystem genießen zu können.

## 4. ERSETZEN DER TONNADEL

Folgen Sie für das Ersetzen der Tonnadel der nachfolgenden Anleitung.

### Entfernen der Tonnadel aus dem Tonkopf

1. Platzieren Sie einen Schraubendreher an der Spitze der Tonabnehmer-Headshell und drücken Sie ihn in die in Skizze „A“ gezeigte Richtung nach unten.

- Entfernen Sie die Tonabnehmer-Headstell durch Ziehen nach vorne und Drücken nach unten.

### Einsetzen der Nadel

- Halten Sie die Spitze der Tonabnehmer-Headshell und setzen Sie sie durch Drücken in die in „B“ gezeigte Richtung ein.
- Drücken Sie die Tonabnehmer-Headshell in die in „C“ gezeigte Richtung nach oben, bis die Nadel in der Spitzenposition einrastet.



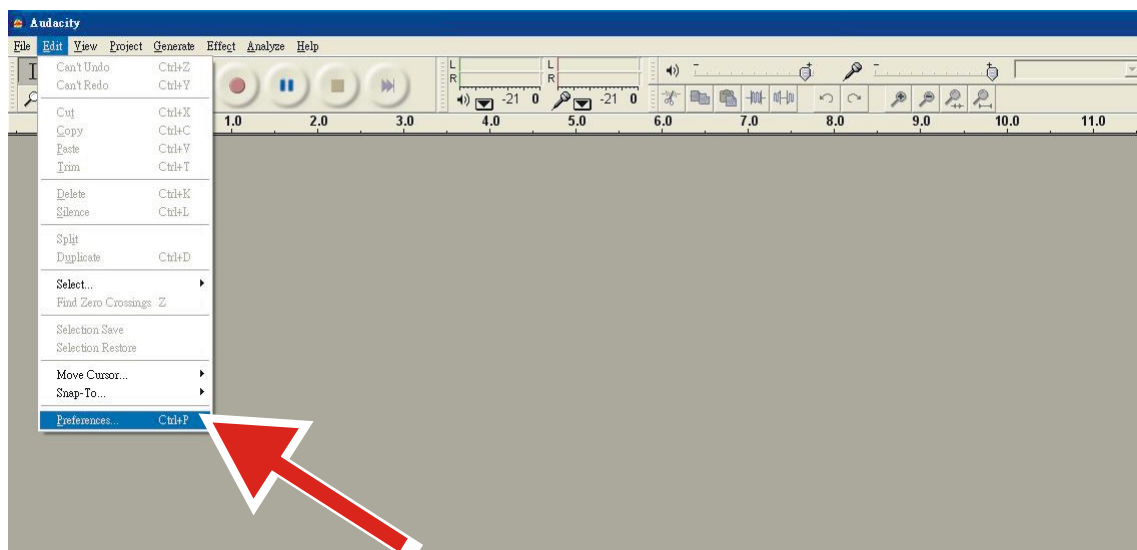
### AUDACITY-SOFTWARE IM ÜBERBLICK

Audacity ist Freeware unter der GNU General Public License (GPL). Weitere Informationen sowie den Open-Source-Quellcode finden Sie im Internet unter <https://www.audacityteam.org/download/>

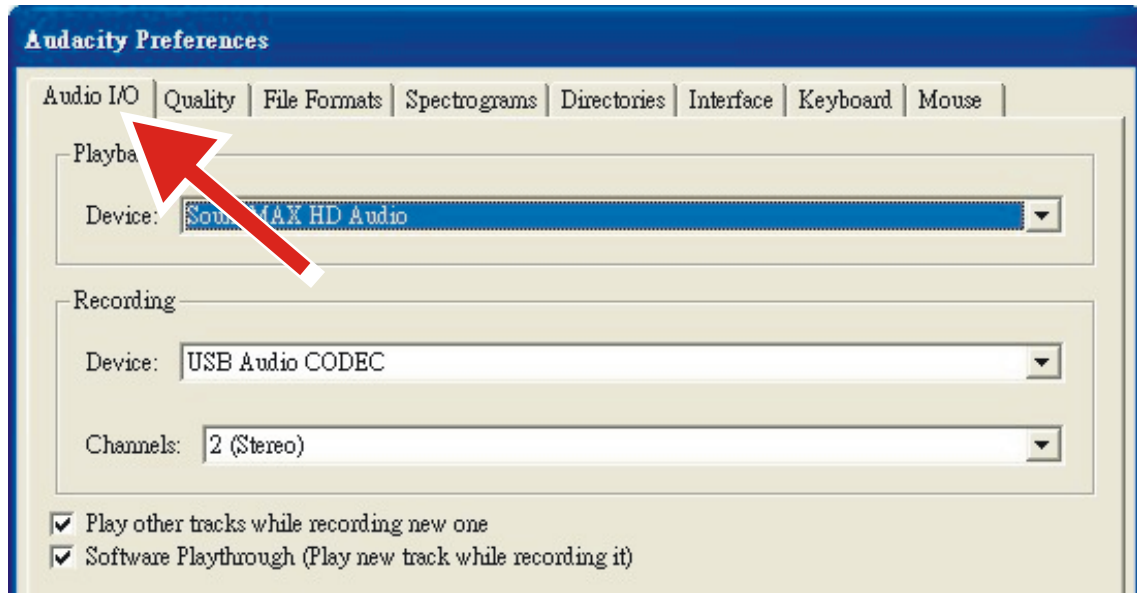
\* Bitte vergewissern Sie sich vor dem Start der Software, dass Sie sie installiert haben.

### Einrichten Ihres PCs für die Arbeit mit Audacity

- Schließen Sie das mitgelieferte USB-Kabel am Plattenspieler an.
- Verbinden Sie den verbleibenden USB-Stecker mit Ihrem Computer.
- Installieren Sie die Audiosoftware Audacity.
- Starten Sie das Programm Audacity.
- Wählen Sie im Audacity-Menü unter dem Reiter Edit (Bearbeiten) Preferences (Einstellungen) aus.



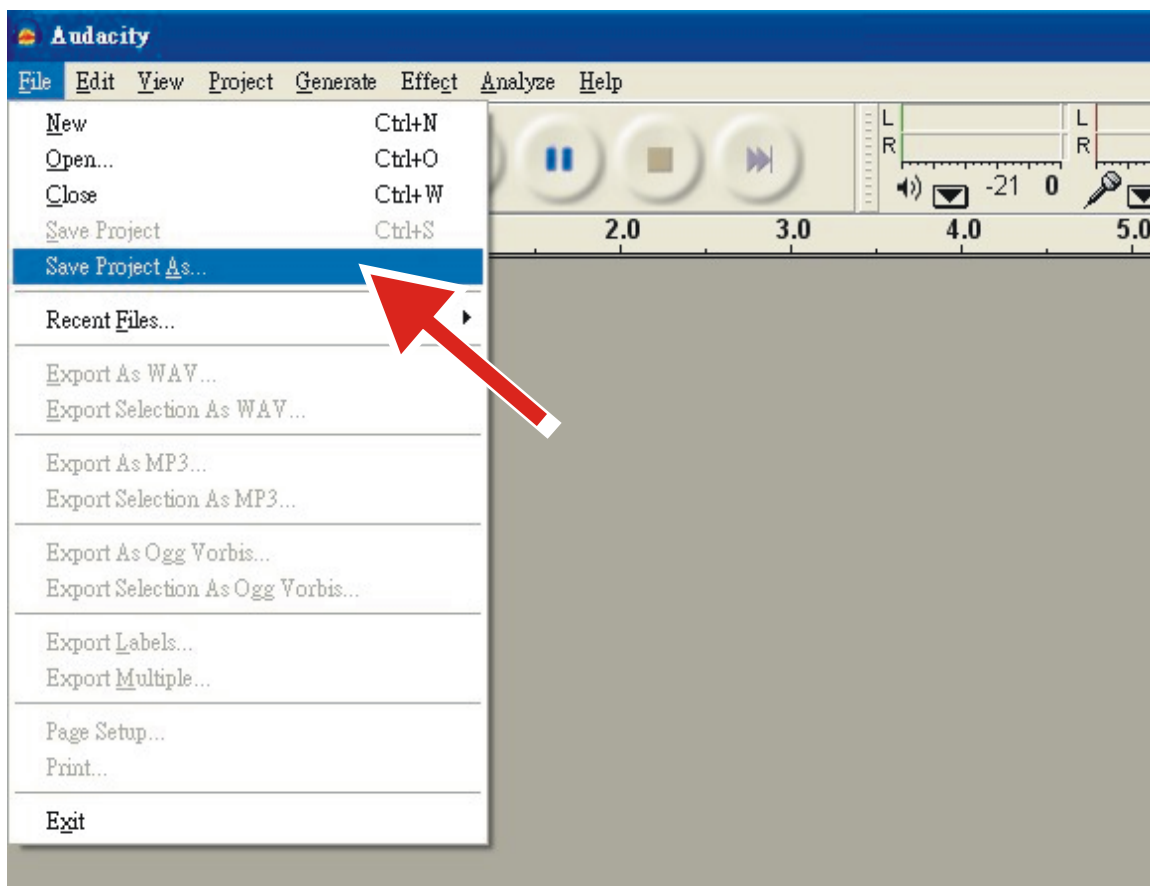
6. Klicken Sie oben links auf den Reiter **Audio I/O** (Audioschnittstelle).
  - Wählen Sie unter Playback (Wiedergabe) bei Device (Gerät) **your internal sound card (Ihre interne Soundkarte)** aus.
  - Wählen Sie unter Recording (Aufnahme) bei Device (Gerät) **USB Audio CODEC** aus.
  - Wählen Sie unter Recording (Aufnahme) bei Channels (Kanäle) **2 (Stereo)** aus.
  - Setzen Sie einen Haken bei **Play other tracks while recording new one (Andere Spuren während Aufnahme abspielen (Overdub))**.
  - Setzen Sie einen Haken bei **Software Playthrough (Eingang per Software durchschleifen)**.



## Aufzeichnen von Alben mit Audacity

### 1. Speichern eines Projekts

- Audacity speichert alle geänderten und aufgezeichneten Audiodateien im Verzeichnis **Projektname\_data**, das sich dort befindet, wo Sie Ihr Projekt gespeichert haben.
- Wählen Sie unter dem Audacity-Reiter File (Datei) **Save Project as (Projekt speichern als)** aus und wählen Sie danach den Speicherort und den Namen für Ihr Projekt aus.
- Bitte beachten Sie, dass Ihnen nur die Option „**Save As...**“ (**Speichern als**) zur Verfügung steht, wenn Sie Audacity neu gestartet haben.



## 2. Aufzeichnen

- Bereiten Sie Ihren über USB verbundenen Plattenspieler für die Wiedergabe des Titels oder Albums vor, den/das Sie aufzeichnen möchten.



- Klicken Sie zum Starten der Aufzeichnung auf die Schaltfläche Record (Aufnahme).
- Senken Sie den Tonarm des über USB verbundenen Plattenspielers bei dem Titel/Album ab, den/das Sie aufzeichnen möchten.



- Klicken Sie auf die blaue Pausetaste, um die Aufzeichnung zu pausieren. Klicken Sie sie erneut an, um die Aufzeichnung fortzusetzen.



- Klicken Sie auf die gelbe Stopptaste.

Das war's auch schon. Sie können jetzt mit Ihrer Aufzeichnung herumexperimentieren und die vielen Bearbeitungsmöglichkeiten von Audacity erkunden. Sie können die Undo-Funktion (Rückgängig machen) fast unbegrenzt benutzen, solange das Projekt geöffnet ist.

**HINWEIS:** CDs können direkt aus Audacity heraus nicht gebrannt werden. Hierfür benötigen Sie ein separates CD-Brennprogramm.

**Hinweis:** Bitte schlagen Sie für eine weiterführende Bedienung der Software in der sich auf der CD befindlichen Anleitung nach.

## **1. TIPPS FÜR BESSERE PLATTERSPIELERLEISTUNG**

1. Seien Sie behutsam, wenn Sie die Staubschutzabdeckung des Plattenspielers öffnen oder schließen. Fassen Sie sie entweder in der Mitte oder an jeder Seite an.
2. Berühren Sie nicht die Tonnadelspitze mit den Fingern. Vermeiden Sie weiterhin das Aufsetzen der Tonnadel auf dem Plattenteller oder dem Schallplattenrand.
3. Reinigen Sie regelmäßig die Tonnadelspitze mit einem weichen Pinsel, den Sie dabei nur von hinten nach vorn bewegen.
4. Wenn es nötig ist, eine Tonnadelreinigungslösung zu verwenden, dann verwenden Sie diese sehr sparsam.
5. Wischen Sie Staubabdeckung und Plattenspielergehäuse mit einem weichen Tuch ab. Verwenden Sie nur eine geringe Menge eines milden Reinigers zur Reinigung von Plattenspieler und Staubabdeckung.
6. Verwenden Sie auf keinen Fall für irgendeines der Plattenspielerteile scharfe Chemikalien oder Lösungsmittel.
7. Das Gewicht am Ende des Tonarms ist auf das Standard-Auflagekraft eingestellt. Sie sollten keine Anpassung vornehmen; andernfalls könnte die ordnungsgemäße Funktion dieses Plattenspielers beeinträchtigt werden.

## 2. TECHNISCHE DATEN

|                          |  |
|--------------------------|--|
| Lenco                    |  |
| Plattenspieler           | LS-50  |
| Typ                      | Riemenantrieb vollständig manuell  |
| Antriebsmotor            | Gleichstrommotor   |
| Geschwindigkeit          | 33½ U/min, 45 U/min, 78 U/min  |
| Gleichlaufschwankungen   | < 0,35 %   |
| Plattenteller            | 300 mm   |
| Tonabnehmer              |  |
| Typ                      | Keramik-Tonabnehmer 402-M208-015   |
| Tonnadel                 | 0,7 mil  |
| Optimale Auflagekraft    | 4 bis 6 g  |
| Ausgang                  | 160 bis 380 mV (HP-4005)   |
| Frequenzgang             | -28 dB (10 kHz)  |
| Übersprechen             | 10 dB (1 kHz)  |
| Signal-Rausch-Verhältnis | 40 dB  |
| Allgemein                |  |
| NETZTEIL                 | Eingang 100 bis 240 V Wechselspannung, 50/60 Hz, 0,5 A<br>Ausgang 12 V Gleichspannung, 1000 mA |
| PRODUKT                  | 12 V Gleichspannung, 1000 mA   |
| Audioausgang (Line-Out)  | 400 bis 600 mV   |
| Leistungsaufnahme        | 12 W   |
| Abmessungen              | 410 x 330 x 118 mm   |
| Nettogewicht             | ca. 3,23 kg  |

### Netzadapter

Hersteller: SHENZHEN SHI GUANGKAIYUAN TECHNOLOGY, LTD.

Modellnummer: GKYP50100120EU1

**Benutzen Sie nur den original mitgelieferten Netzadapter**

**Benutzen Sie nur die in der Bedienungsanleitung angegebene Stromversorgung**

| Information   | Werte und detaillierte Angaben   |
|---|--|
| Name des Herstellers oder der Handelsmarke,<br>kommerzielle Zulassung und Anschrift | SHENZHEN SHI GUANGKAIYUAN<br>TECHNOLOGY, LTD.<br><br>2 floor, 41 TianSheng Road,<br>TianLiao village, GongMing<br>Street, Guangming, Shenzhen,<br>GuangDong, P.R.China |
| Modellnummer  | GKYP50100120EU1  |
| Eingangsspannung  | 100 – 240 V  |
| Wechselstromfrequenz des AC-Eingangs  | 50/60 Hz   |
| Ausgangsspannung  | 12 V   |
| Ausgangsstrom   | 1A   |
| Ausgangsleistung  | 12 W   |
| Durchschnittliche Wirkungsgrad bei Normallast                                       | 83,5 %   |
| Wirkungsgrad bei Niederlast (10 %)  | 78 %   |
| Leistungsaufnahme bei Nulllast  | 0,068 W  |



## 1. Garantie

Lenco bietet Leistungen und Garantien im Einklang mit dem europäischen Recht. Setzen Sie sich deshalb im Falle von Reparaturen (sowohl während als auch nach Ablauf der Garantiezeit) mit Ihrem Fachhändler in Verbindung.

Wichtiger Hinweis: Es ist nicht möglich, Produkte für Reparaturen direkt an Lenco zu schicken.

Wichtiger Hinweis: Wenn dieses Gerät für welchen Grund auch immer durch ein nicht offizielles Servicezentrum geöffnet wurde oder durch dieses Servicezentrum darauf zugegriffen wurde, erlischt die Garantie.

Dieses Gerät ist nicht für professionelle Zwecke geeignet. Falls das Gerät für professionelle Zwecke eingesetzt wird, erlöschen alle Garantieverpflichtungen seitens des Herstellers.

## 2. Haftungsausschluss

Aktualisierungen der Firmware und/oder Hardware-Komponenten werden regelmäßig durchgeführt. Aus diesem Grund können einige der Anleitungen, Spezifikationen und Abbildungen in dieser Dokumentation zu dem Ihnen vorliegenden Gerät leicht abweichen. Alle in diesem Handbuch beschriebenen Elemente dienen nur zur Illustration und treffen auf Ihre individuelle Situation möglicherweise nicht zu. Aus der in diesem Handbuch getätigten Beschreibung können keine Rechtsansprüche oder Leistungsanforderungen geltend gemacht werden.

## 3. Entsorgung des Altgeräts



Dieses Symbol zeigt an, dass das entsprechende Produkt oder dessen Akku/Batterie in Europa nicht mit dem normalen Hausmüll entsorgt werden darf. Um die ordnungsgemäße Abfallbehandlung des Produkts und dessen Akku/Batterie zu gewährleisten, müssen diese im Einklang mit allen anwendbaren örtlichen Vorschriften zur Entsorgung von Elektrogeräten und Akkus/Batterien entsorgt werden. Dabei helfen Sie, natürliche Ressourcen zu schonen und Umweltschutzstandards zur Verwertung und Entsorgung von Altgeräten aufrecht zu halten (Richtlinie über Entsorgung Elektrischer und Elektronischer Altgeräte).

## 4. CE-Kennzeichen

Hiermit erklärt Lenco Benelux B.V., Thermiekstraat 1a, 6361 HB Nuth, The Netherlands, dass dieses Produkt den grundsätzlichen Anforderungen der EU-Richtlinie entspricht.

Die Konformitätserklärung kann unter folgendem Link abgerufen werden:

[techdoc@commaxxgroup.com](mailto:techdoc@commaxxgroup.com)



## **5. Service**

Besuchen Sie bitte für weitere Informationen und unseren Kundendienst unsere Homepage

[www.lenco.com](http://www.lenco.com)

Lenco Benelux BV, Thermiekstraat 1a, 6361 HB, Die Niederlande.

**ATTENTION :**

L'utilisation de commandes ou réglages, ou l'exécution de procédures autres que ceux spécifiés dans ce manuel peut entraîner une exposition à des rayonnements dangereux.

**PRÉCAUTIONS AVANT UTILISATION**

**GARDEZ CES INSTRUCTIONS À L'ESPRIT :**

1. Ne couvrez ni n'obtenez aucune ouverture de ventilation. Lorsque l'appareil est placé sur une étagère, laissez un espace libre de 5 cm autour de l'appareil.
2. L'installation doit être effectuée conformément au guide d'utilisation fourni.
3. Gardez l'appareil à l'écart des sources de chaleur telles que radiateurs, chauffages, cuisinières, bougies et autres équipements générant de la chaleur ou une flamme nue. L'appareil ne doit être utilisé que dans un climat modéré. Les environnements extrêmement froids ou chauds doivent être évités. La température de fonctionnement est entre 0 et 35 °C.
4. Évitez d'utiliser l'appareil à proximité de champs magnétiques puissants.
5. Des décharges électrostatiques peuvent perturber le fonctionnement normal de cet appareil. Dans ce cas, réinitialisez et redémarrez l'appareil en suivant le guide d'utilisation. Pendant le transfert de fichiers, manipulez l'appareil avec précaution dans un environnement privé d'électricité statique.
6. Avertissement ! N'introduisez jamais un objet dans l'appareil par les ouvertures et fentes de ventilation. Des tensions élevées sont présentes dans l'appareil, l'insertion d'un objet peut entraîner une électrocution ou court-circuiter certains composants. Pour les mêmes raisons, ne renversez pas d'eau ou de liquide sur l'appareil.
7. N'utilisez pas l'appareil dans des endroits humides tels que salle de bain, cuisine pleine de vapeur ou à proximité d'une piscine.
8. L'appareil ne doit pas être exposé à des écoulements ou des éclaboussures et aucun objet contenant un liquide, tel qu'un vase, ne doit être posé sur ou près de l'appareil.
9. N'utilisez pas cet appareil lorsque de la condensation est possible. Lorsque l'appareil est utilisé dans une pièce chaude humide, des gouttelettes d'eau ou de la condensation peuvent se produire et entraîner un mauvais fonctionnement. Laissez l'appareil éteint pendant 1 ou 2 heures avant de l'allumer : il doit être sec avant d'être allumé.
10. Cet appareil est fabriqué avec le plus grand soin et vérifié plusieurs fois avant de quitter l'usine, cependant il est toujours possible, comme pour tout appareil électrique, que des problèmes surviennent. Si l'appareil émet de la fumée ou s'il y a une accumulation de chaleur excessive ou un phénomène inattendu, débranchez immédiatement la fiche d'alimentation du secteur.
11. Cet appareil doit fonctionner avec la source d'alimentation indiquée sur la plaque signalétique. Si vous n'êtes pas sûr de votre type d'alimentation électrique, contactez le revendeur ou la compagnie d'électricité locale.
12. Gardez l'appareil à l'écart des animaux. Certains animaux aiment ronger les cordons d'alimentation.
13. Pour nettoyer l'appareil, utilisez un chiffon doux et sec. N'utilisez ni solvant ni liquide à base de pétrole.  
Pour enlever les taches tenaces, utilisez un chiffon humide imbibé d'une solution de détergent diluée.
14. Le fournisseur n'est pas responsable des dommages ou pertes de données causés par un dysfonctionnement, une utilisation abusive, une modification de l'appareil ou un remplacement de la batterie.
15. Ne coupez aucune connexion lorsque l'appareil effectue un formatage ou transfert de fichiers. Autrement, les données risquent d'être corrompues ou perdues.
16. Si l'appareil offre la lecture USB, il faut brancher la clé USB directement dans l'appareil. N'utilisez pas de câble de rallonge USB, car cela peut provoquer des interférences provoquant la perte de données.
17. La plaque signalétique se situe en dessous ou à l'arrière de l'appareil.
18. Cet appareil n'est pas destiné à être utilisé par des personnes (enfants compris) souffrant de handicaps physiques, sensoriels ou mentaux, ou manquant d'expérience et de connaissances, sauf si elles sont sous surveillance ou ont reçu des instructions sur l'utilisation correcte de l'appareil par la personne qui est responsable de leur sécurité.

19. Cet appareil est réservé à un usage non professionnel, et non pas à un usage commercial ou industriel.
20. Vérifiez que l'appareil est en position stable. La garantie ne couvre pas les dégâts occasionnés par l'utilisation de cet appareil en position instable, soumis à des vibrations ou chocs, ou par le non-respect de tout autre avertissement ou précaution contenus dans ce guide d'utilisation.
21. N'ouvrez jamais cet appareil.
22. Ne placez jamais cet appareil sur un autre appareil électrique.
23. Ne laissez pas les sacs en plastique à la portée des enfants.
24. N'utilisez que des pièces/accessoires recommandés par le fabricant.
25. Confiez tout entretien à un personnel qualifié. Une réparation est nécessaire lorsque l'appareil a été endommagé de quelque façon que ce soit, par exemple lorsque le cordon d'alimentation ou sa fiche est endommagée, lorsqu'un liquide a été renversé ou des objets ont été introduits dans l'appareil, lorsqu'il a été exposé à la pluie ou à l'humidité, ne fonctionne pas correctement ou s'il est tombé.
26. Une exposition prolongée à des sons puissants produits par des lecteurs personnels de musique peut entraîner une perte auditive temporaire ou permanente.
27. Si l'appareil est livré avec un cordon ou adaptateur d'alimentation secteur :
  - En cas de problème, débranchez le cordon d'alimentation secteur et confiez l'entretien à un personnel qualifié.
  - Ne marchez pas ni ne pincez l'adaptateur secteur. Faites très attention, en particulier près des fiches et du point de sortie du câble. Ne placez aucun objet lourd sur l'adaptateur secteur, il pourrait l'endommager. Gardez l'appareil hors de portée des enfants. Les enfants pourraient se blesser gravement s'ils jouent avec le cordon d'alimentation.
  - Débranchez cet appareil pendant les orages ou lorsqu'il n'est pas utilisé pendant une longue durée.
  - La prise secteur doit être installée près de l'appareil et doit être facilement accessible.
  - Ne surchargez pas les prises de courant ou les rallonges. Une surcharge peut entraîner un incendie ou une électrocution.
  - Un appareil étant de classe 1 doit être branché dans une prise secteur disposant d'une mise à la terre.
  - Les appareils de classe 2 ne nécessitent pas de mise à la terre.
  - Tirez toujours sur la fiche lorsque vous la retirez de la prise d'alimentation secteur. Ne tirez pas sur le cordon d'alimentation. Cela pourrait provoquer un court-circuit.
  - N'utilisez ni cordon, ni fiche endommagé, ni une prise desserrée. Cela pourrait entraîner une électrocution ou un incendie.
28. Si l'appareil contient ou est livré avec une télécommande contenant des piles boutons/piles :
 

Avertissement :

  - « Ne pas avaler les piles ! Risque de brûlure chimique » ou équivalent.
  - La télécommande fournie avec cet appareil contient une pile bouton/pile. Si la pile bouton est avalée, elle peut causer des brûlures internes graves en seulement 2 heures et peut conduire à la mort.
  - Gardez les piles neuves et usées hors de la portée des enfants.
  - Si le compartiment à pile ne se ferme pas correctement, cessez d'utiliser l'appareil et le garder hors de la portée des enfants.
  - Si vous pensez que les piles ont été avalées ou placées à l'intérieur d'une partie du corps, consultez un médecin immédiatement.
29. Avertissements sur l'utilisation des piles :
  - Un mauvais remplacement de la pile entraîne un risque d'explosion. Ne les remplacez que par des piles du même type ou d'un type équivalent.
  - Les piles ne doivent pas être soumises à des températures extrêmement élevées ou basses, à une faible pression d'air à haute altitude pendant l'utilisation, le stockage ou le transport.
  - Tout remplacement de pile par un type incorrect peut entraîner une explosion ou une fuite de liquide ou de gaz inflammable.
  - L'élimination de pile dans un feu, four chaud, équipement d'écrasement ou de coupure mécanique, peut entraîner une explosion.
  - Laisser une pile dans un environnement à température extrêmement élevée peut entraîner une explosion ou une fuite de liquide ou de gaz inflammable.

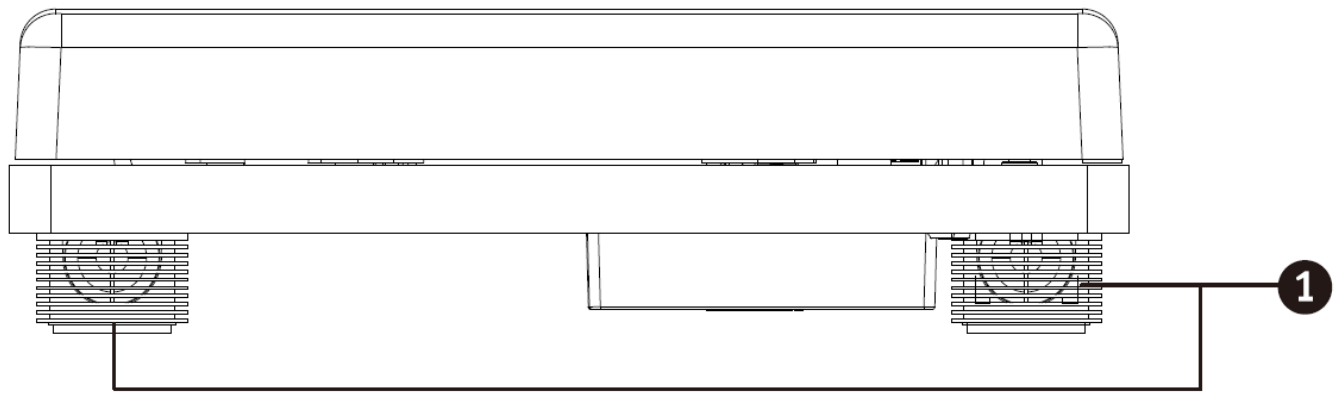
- Une pile soumise à une pression d'air extrêmement basse peut entraîner une explosion ou une fuite de liquide ou de gaz inflammable.
- Une attention particulière doit être portée sur les aspects environnementaux d'élimination des piles.

#### **INSTALLATION**

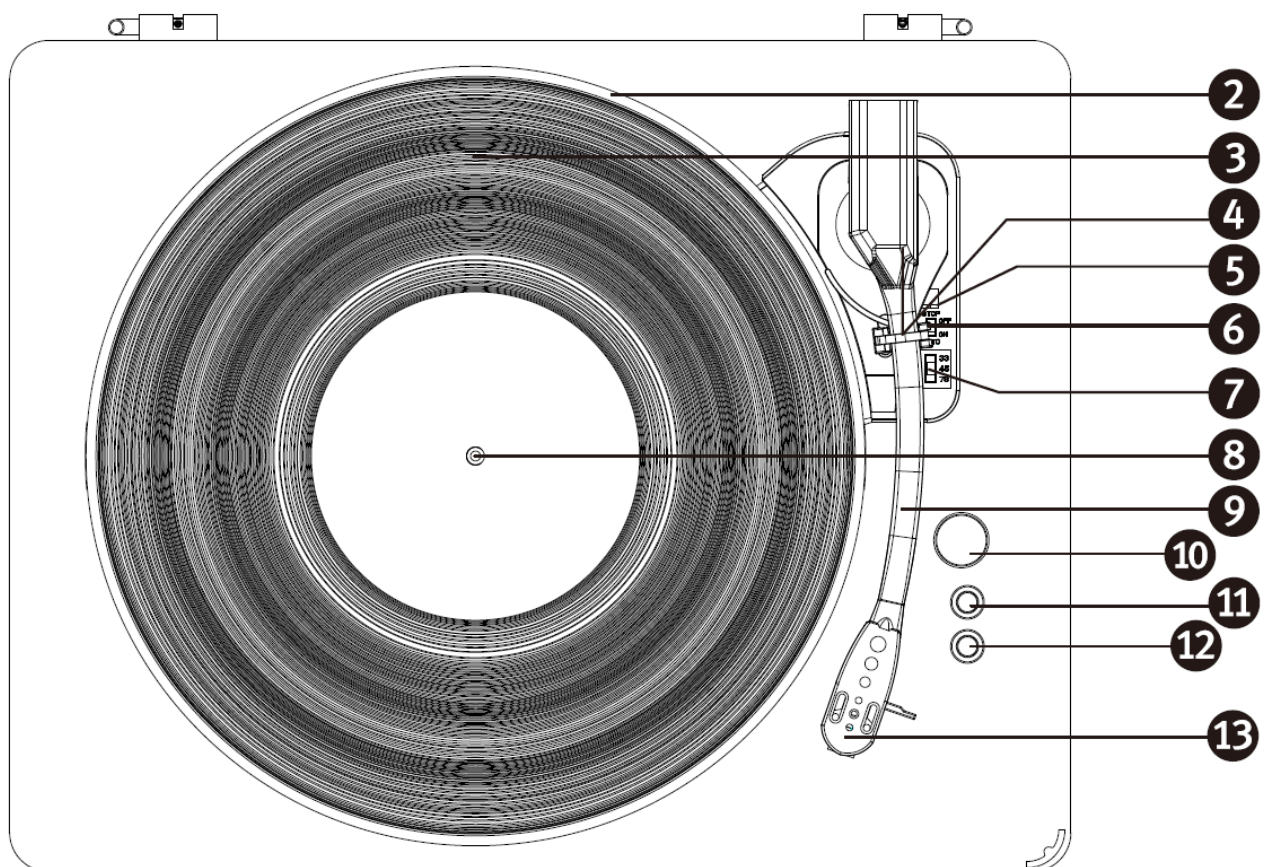
- Déballez tous les composants et enlevez les matériaux de protection.
- Ne branchez pas l'appareil sans avoir vérifié la tension secteur et sans avoir effectué tous les autres branchements.

1. PIÈCES DU TOURNE-DISQUE :

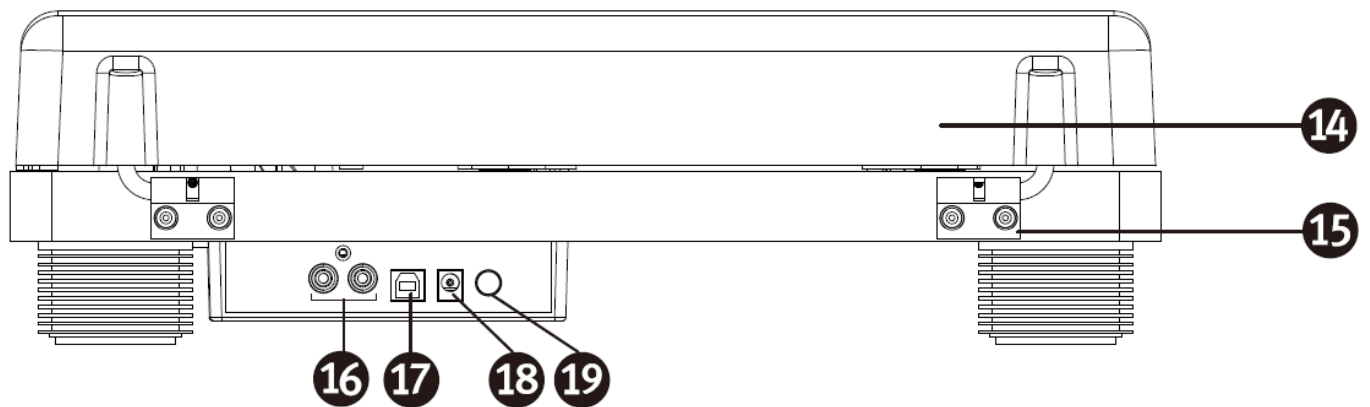
PARTIE AVANT



PARTIE SUPÉRIEURE



## ARRIÈRE



1. Haut-parleur
2. Plateau du tourne-disque.
3. Feutrine
4. Levier de levage pour verrouillage du bras du tourne-disque
5. Levier de levage
6. Interrupteur de commande d'arrêt automatique
7. Sélecteur de vitesse
8. Arbre du tourne-disque
9. Bras du tourne-disque
10. Molette de réglage du volume
11. Bouton de lumière 1 (ON/OFF, Couleur)
12. Bouton de lumière 2 (Musique, fondu)
13. Cartouche de pointe de lecture phono
14. Couvercle anti-poussière amovible
15. Charnière
16. Prise de sortie RCA
17. Port USB
18. Prise pour adaptateur secteur
19. Bouton MARCHÉ/ARRÊT

## 2. Commandes LED

Bouton de lumière 1 (ON/OFF, Couleur)

Longue pression – allumer/éteindre la LED

Brève pression - changement de couleur de la LED (rouge, vert, bleu, rouge+vert, rouge+bleu, vert+bleu, blanc)

Bouton de lumière 2 (Musique, fondu)

Longue pression – Fondu de l'animation LED : les couleurs changent doucement.

Brève pression – Animations LED suivant les rythmes de la musique

## 3. LECTURE D'UN DISQUE

1. Soulevez le couvercle anti-poussière
2. Appuyez sur le bouton Marche/Arrêt.
3. Placez un disque sur le plateau du tourne-disque et réglez la vitesse du lecteur pour qu'elle corresponde à celle du disque.

REMARQUE : pour la lecture d'un single (un disque 45 tours) et/ou de disques avec de grands trous centraux, utilisez l'adaptateur 45 tours.

Retirez le couvercle de protection de la cartouche d'aiguille et libérez le verrou du bras de tonalité du support du bras de lecture. Poussez le levier de levage vers l'arrière, le bras de lecture se lève doucement. Déplacez doucement le bras de lecture dans la position souhaitée au-dessus du disque. Le plateau du tourne-disque commence à tourner lorsque le bras est déplacé vers celui-ci si l'interrupteur de commande d'arrêt automatique est sur ON. Relâchez le bras de lecture sur la platine en poussant le levier de levage vers l'avant et la lecture disque vinyle commence.

Si l'interrupteur de commande d'arrêt automatique est sur ON, le disque s'arrêtera automatiquement une fois la lecture terminée. Si l'interrupteur de commande d'arrêt automatique est sur OFF, le disque ne s'arrêtera PAS automatiquement à la fin de la lecture ; vous devrez pousser le levier de levage vers l'arrière pour relever le bras de lecture et le replacer dans son support, puis éteindre l'appareil pour arrêter la rotation de la platine.

**Remarque :** La fonction d'arrêt automatique s'applique à la plupart des disques vinyle 33 tours. Cependant, pour très peu de disques vinyle, la lecture s'arrête avant la fin, ou ne s'arrête pas à la fin alors que l'arrêt automatique est activé.

4. Connectez la prise de sortie RCA au système de haut-parleurs externe à l'aide du câble RCA (non fourni) pour profiter de la musique des disques vinyle sur votre système de haut-parleurs.

## 4. COMMENT REMPLACER L'AIGUILLE

Pour remplacer l'aiguille, veuillez vous référer aux instructions ci-dessous.

### Retirer l'aiguille de la cartouche

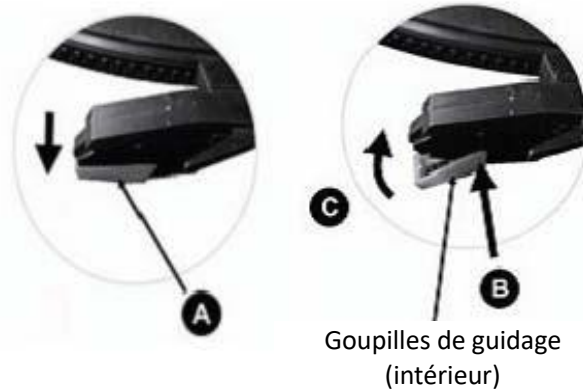
1. Placez un tournevis à l'extrémité de la tête d'aiguille et poussez vers le bas dans la direction indiquée sur le croquis « A ».



2. Retirez la tête d'aiguille en la tirant vers l'avant et en la poussant vers le bas.

### Insertion de l'aiguille

1. Tenez la pointe de la tête d'aiguille et insérez-la en appuyant dans le sens illustré par « B ».
2. Poussez la tête d'aiguille vers le haut dans la direction illustrée par « C » jusqu'à ce que l'aiguille se verrouille en position de pointe.



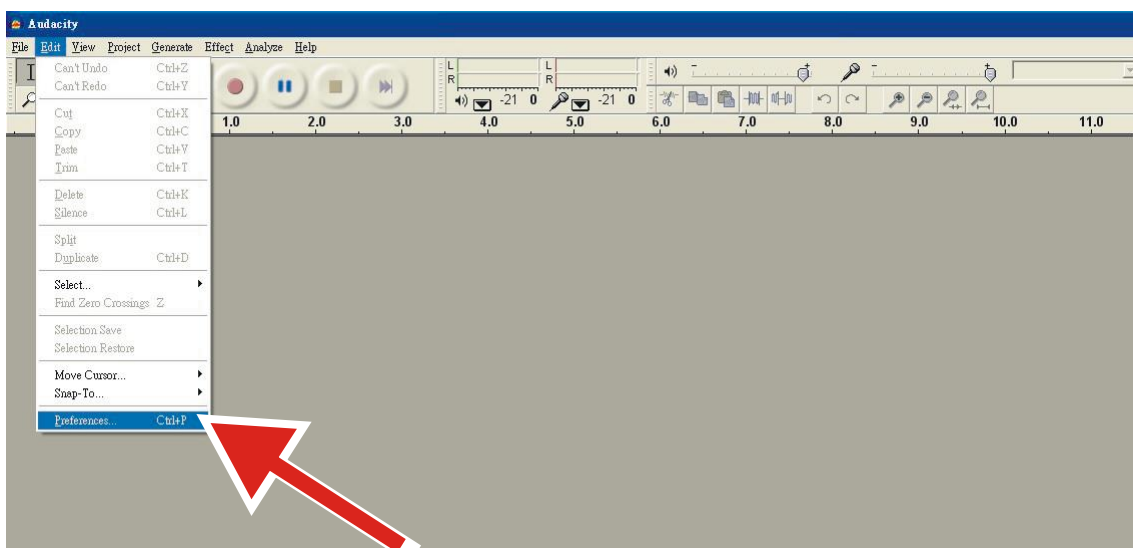
### INSTALLATION DU LOGICIEL AUDACITY

Audacity est un logiciel libre, sous licence publique générale GNU. De plus amples informations ainsi que le code open source sont disponibles sur le web à l'adresse <https://www.audacityteam.org/download/>

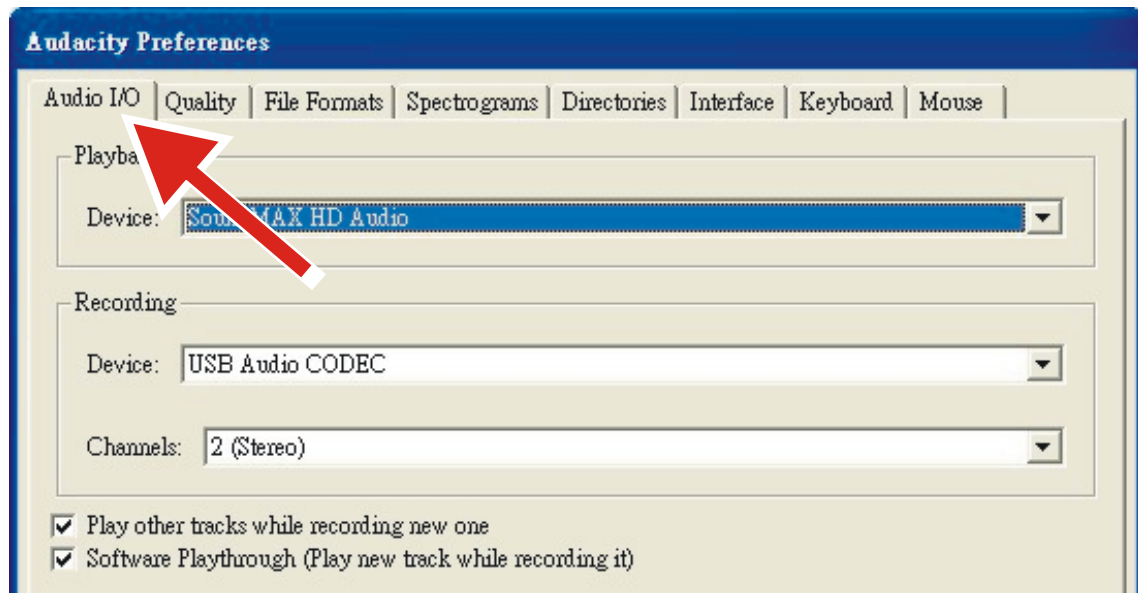
\* **Veillez vous assurer que vous avez installé le logiciel avant de commencer.**

### Configuration de votre PC pour fonctionner avec Audacity

1. Connectez une source d'entrée à l'appareil.
2. Connectez La clé USB à votre ordinateur.
3. Installez le logiciel d'enregistrement Audacity.
4. Ouvrez le programme Audacity.
5. Sélectionnez Préférence dans l'onglet Édition du menu Audacity.



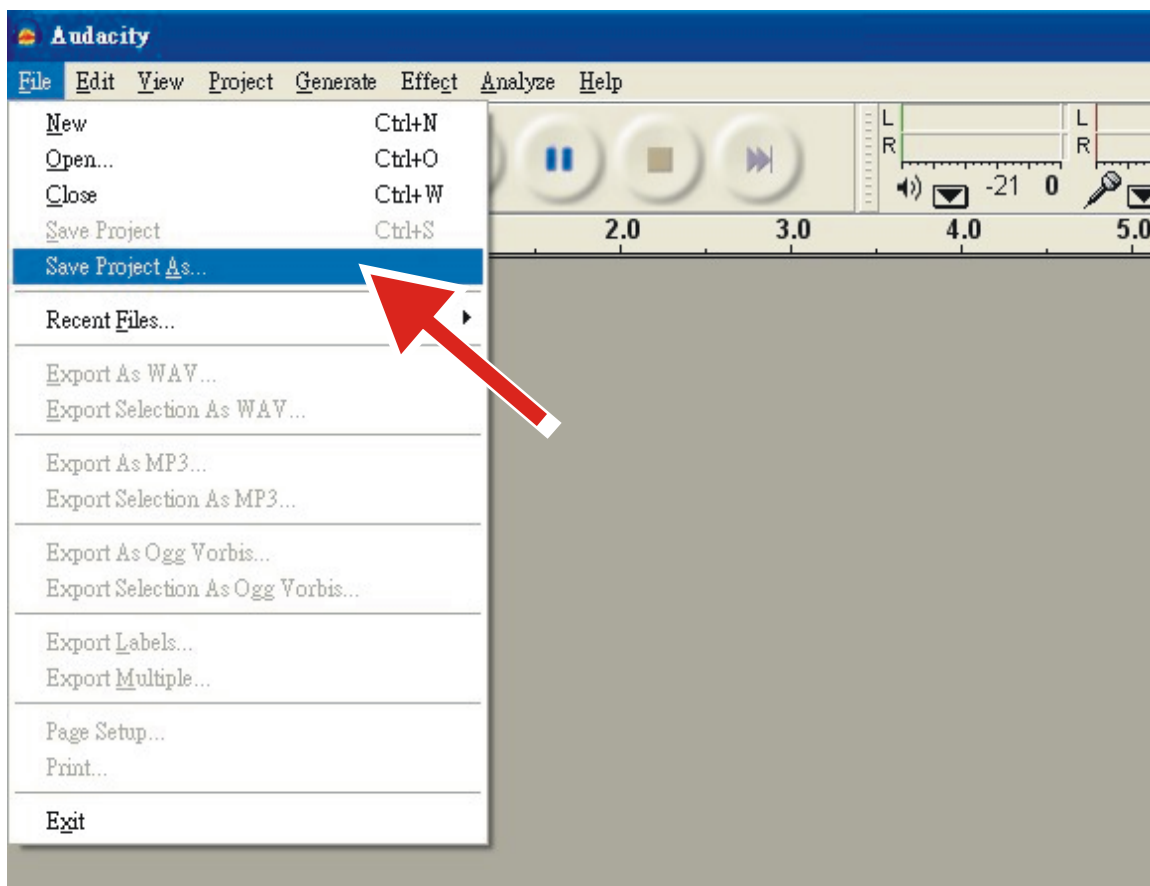
6. Sélectionnez l'onglet **E/S Audio** à l'extrémité supérieure gauche.
  - Sous Lecture, Périphérique, sélectionnez **your internal sound card (votre carte son interne)**.
  - Sous Enregistrement, Périphérique, sélectionnez **USB Audio CODEC (CODEC audio USB)**.
  - Sous Enregistrement, Canaux, sélectionnez **2 (Stéréo)**.
  - Cochez la case **Play other tracks while recording new one (Lire d'autres pistes pendant l'enregistrement d'une nouvelle piste)**.
  - Cochez la case intitulée **Software Playthrough (Jouer dans le logiciel)**.



### Enregistrement des albums avec Audacity

#### 1. Enregistrement d'un projet

- Audacity écrit toutes les modifications et les enregistrements audio dans un répertoire appelé **Projectname\_data**, qui se trouve à l'endroit où vous avez enregistré le fichier projet lui-même.
- Pour ce faire, sélectionnez **Save Project as « Enregistrer le projet sous »** à partir de votre onglet Fichier Audacity et choisissez un emplacement et un nom de fichier pour votre projet.
- Veuillez noter que lorsque vous démarrez Audacity fresh, seule l'option de menu **Save Project as « Enregistrer sous... »** est disponible.



## 2. Procédure d'enregistrement

- Réglez votre tourne-disque USB pour lire la chanson ou l'album que vous souhaitez enregistrer.



- Cliquez sur le bouton d'enregistrement rouge pour commencer l'enregistrement.

- Abaissez le bras de lecture du tourne-disque USB sur l'album et la piste que vous souhaitez enregistrer.



- Cliquez sur le bouton bleu Pause pour suspendre l'enregistrement. Appuyez à nouveau pour continuer



- Cliquez sur le bouton jaune Stop.

Et c'est tout. Vous pouvez à présent lire l'ensemble de votre enregistrement et explorer les possibilités de modification d'Audacity. N'oubliez pas que vous pouvez utiliser la fonction Annuler presque sans limites tant que le projet est ouvert.

**REMARQUE :** Les CD ne peuvent pas être gravés directement depuis l'application Audacity. Vous devez utiliser d'autres applications de gravure de CD

**Remarque :** Pour une utilisation avancée, reportez-vous aux instructions figurant sur le CD.

## **1. CONSEILS POUR AMÉLIORER LES PERFORMANCES DU TOURNE-DISQUE**

1. Lors de l'ouverture ou de la fermeture du couvercle du tourne-disque, manipulez-le délicatement, en le saisissant soit au centre, soit de chaque côté.
2. Ne touchez pas la pointe de l'aiguille avec vos doigts ; évitez de heurter l'aiguille contre le plateau du tourne-disque ou le bord du disque.
3. Nettoyez fréquemment l'extrémité de l'aiguille - utilisez une brosse douce en effectuant un mouvement « d'arrière en avant » uniquement.
4. Si vous devez utiliser un liquide de nettoyage pour aiguilles, utilisez-le avec parcimonie.
5. Essayez délicatement le couvercle anti-poussière et le boîtier du tourne-disque à l'aide d'un chiffon doux. N'utilisez qu'une petite quantité de détergent doux pour nettoyer le tourne-disque et le couvercle anti-poussière.
6. N'appliquez jamais de produits chimiques agressifs ou de solvants sur une quelconque partie du système de tourne-disque.
7. Le poids à l'arrière du bras de lecture est réglé à une pression d'aiguille standard, il n'est pas recommandé de l'ajuster, sinon cela peut affecter l'utilisation normale de ce tourne-disque.

## 2. CARACTÉRISTIQUES TECHNIQUES

|                                |  |
|--------------------------------|--|
| Lenco                          |  |
| Tourne-disque                  | LS-50  |
| Type                           | Entraînement manuel complet par courroie                     |
| Moteur d'entraînement          | Moteur CC  |
| Vitesse                        | 33 1/3 tr/min, 45 tr/min, 78 tr/min                          |
| Pleurage et scintillement      | <0,35 %  |
| Plateau du tourne-disque.      | 300 mm   |
| Cartouche                      |  |
| Type                           | Cartouche en céramique 402-M208-015                          |
| Pointe de lecture              | 0,7 mil  |
| Force de suivi optimale        | 4-6 grammes  |
| Sortie                         | 160-380 mv (HP-4005)   |
| Réponse en fréquence           | -28 dB(10 kHz)   |
| Diaphonie                      | 10 db(1 kHz)   |
| Rapport signal/bruit (S/N)     | 40 dB  |
| Généralités                    |  |
| ADAPTATEUR                     | Entrée 100-240 V CA~50/60 Hz0,5 A<br>sortie 12 V CC, 1000 mA |
| PRODUIT                        | 12 V CC, 1000 mA   |
| Sortie audio (sortie de ligne) | 400-600 mV   |
| Consommation d'énergie         | 12 W   |
| Dimensions                     | 410 x 330 x 118 MM   |
| Poids net                      | Environ 3,23 kg  |

### Adaptateur d'alimentation

Fabricant : SHENZHEN SHI GUANGKAIYUAN TECHNOLOGY.,LTD.

Numéro du modèle : GKYPS0100120EU1

**Utilisez uniquement l'adaptateur secteur d'origine**

**Utilisez uniquement l'alimentation électrique indiquée dans le guide d'utilisation.**

| Informations  | Valeur et précision  |
|---|--|
| Nom ou marque du fabricant,<br>enregistrement commercial et adresse | SHENZHEN SHI GUANGKAIYUAN<br>TECHNOLOGY,LTD.<br><br>2 floor, 41 TianSheng Road, TianLiao<br>village, GongMing Street, Guangming,<br>Shenzhen, Guangdong, P.R.Chine |
| Identifiant du modèle   | GKYP50100120EU1  |
| Tension d'entrée  | 100-240 V  |
| Fréquence secteur d'entrée  | 50-60 Hz   |
| Tension de sortie   | 12 V   |
| Courant en sortie   | 1 A  |
| Puissance de sortie   | 12 W   |
| Efficacité active moyenne   | 83,5 %   |
| Efficacité à faible charge (10 %)                                   | 78 %   |
| Consommation électrique sans charge                                 | 0,068 W  |

### 1. Garantie

Lenco propose un service et une garantie conformément à la législation européenne, ce qui signifie qu'en cas de besoin de réparation (aussi bien pendant et après la période de garantie), vous pouvez contacter le revendeur le plus proche.

Remarque importante : Il n'est pas possible de renvoyer l'appareil pour réparation directement à Lenco.

Remarque importante : Si l'appareil est ouvert ou modifié de quelque manière que ce soit par un réparateur non agréé, la garantie est annulée.

Cet appareil ne convient pas à une utilisation professionnelle. En cas d'utilisation professionnelle, les obligations de garantie du fabricant sont annulées.

### 2. Clause de non-responsabilité

Des mises à jour du microprogramme et/ou des composants matériels sont effectuées régulièrement. Ainsi, certaines instructions, spécifications et images de la présente documentation peuvent être légèrement différentes. Tous les éléments décrits dans ce manuel sont donnés uniquement à des fins d'illustration et peuvent ne pas s'appliquer à une situation particulière. Aucun droit juridique ou légal ne peut être obtenu à partir de la description faite dans ce manuel.

### 3. Mise au rebut de l'appareil usagé



Ce symbole indique que le produit électrique concerné ainsi que les piles ne doivent pas être jetés avec les autres déchets ménagers en Europe. Pour assurer le traitement correct des déchets de l'appareil et des piles, il faut les éliminer conformément aux lois locales applicables sur l'élimination des équipements électriques et des piles. En faisant cela, vous contribuez à la conservation des ressources naturelles et à l'amélioration des normes de protection de l'environnement dans le traitement et l'élimination des déchets électriques (Directive sur les déchets d'équipements électriques et électroniques).

### 4. Marquage CE

Par la présente, Lenco Benelux B.V., Thermiekstraat 1a, 6361 HB Nuth, Pays-Bas, déclare que ce produit est conforme aux exigences principales des directives européennes.

La déclaration de conformité peut être consultée au lien : [techdoc@commaxxgroup.com](mailto:techdoc@commaxxgroup.com)



### 5. Réparation

Pour plus d'informations et le service d'assistance, rendez-vous sur [www.lenco.com](http://www.lenco.com)

Lenco Benelux BV, Thermiekstraat 1a, 6361 HB, Pays-Bas.

**PRECAUCIÓN:**

Un uso de los controles, unos ajustes o un rendimiento de los procedimientos distintos a los especificados aquí puede resultar en una exposición peligrosa a la radiación.

**PRECAUCIONES PREVIAS AL USO**

**TENGA ESTAS INSTRUCCIONES EN CUENTA:**

1. No cubra ni obstruya las aberturas de ventilación. Si coloca el dispositivo sobre una estantería, deje una separación de 5 cm (2") alrededor de todo el dispositivo.
2. Instálelo en conformidad con el manual del usuario incluido.
3. Mantenga el dispositivo apartado de fuentes de calor como radiadores, calentadores, estufas, velas y otros productos que generen calor o llamas abiertas. El dispositivo solo puede utilizarse en climas moderados. Deben evitarse los entornos muy fríos o cálidos. La temperatura de funcionamiento es de entre 0 °C y 35 °C.
4. Evite utilizar el dispositivo cerca de campos magnéticos intensos.
5. Las descargas electrostáticas pueden perturbar el uso normal de este dispositivo. En tal caso, solo tiene que seguir el manual de instrucciones para restablecer y reiniciar el dispositivo. Durante la transmisión de archivos, manéjelo con cuidado y opérelo en un entorno libre de electricidad estática.
6. ¡Advertencia! Nunca introduzca objetos en las aberturas o conductos de ventilación del producto. El producto contiene alto voltaje e insertar un objeto puede provocar una descarga eléctrica o un cortocircuito en sus componentes internos. Por el mismo motivo, no derrame agua ni líquidos sobre el producto.
7. No lo utilice en áreas mojadas o húmedas, como cuartos de baño, cocinas con mucho vapor o cerca de piscinas.
8. No se debe exponer el dispositivo a goteos ni salpicaduras y debe asegurarse de que no haya objetos llenos de líquidos, como jarrones, encima ni cerca del aparato.
9. No utilice este dispositivo si puede haber condensación. Cuando se utilice la unidad en una sala cálida y húmeda, pueden aparecer gotas de agua o condensación dentro de la unidad y esta puede no funcionar correctamente; deje la unidad apagada durante 1 o 2 horas antes de encender la alimentación: la unidad debe estar seca antes de encenderla.
10. Aunque este dispositivo está fabricado con el máximo cuidado y se ha comprobado varias veces antes de salir de fábrica, todavía es posible que se puedan producir problemas, igual que con todos los aparatos eléctricos. Si detecta humo, una acumulación excesiva de calor o cualquier otro fenómeno inesperado, deberá desconectar inmediatamente el enchufe de la toma de corriente.
11. Este dispositivo debe estar conectado a una fuente de alimentación conforme a lo indicado en la etiqueta de especificaciones. Si no está seguro del tipo de fuente de alimentación de su hogar, consulte con su distribuidor o su empresa eléctrica local.
12. Manténgalo alejado de los animales. Algunos animales muerden los cables eléctricos.
13. Utilice un trapo suave y húmedo para limpiar el dispositivo. No utilice disolventes ni líquidos con base de gasolina.  
Puede usar un paño húmedo con detergente diluido para eliminar las manchas persistentes.
14. El proveedor no asume ninguna responsabilidad por daños o datos perdidos como consecuencia de un funcionamiento incorrecto, uso incorrecto, modificación del dispositivo o sustitución de la batería.
15. No interrumpa la conexión mientras se formatea el dispositivo o esté transfiriendo archivos. De lo contrario, los datos podrían quedar dañados o perderse.
16. Si la unidad tiene una función de reproducción USB, se debe conectar directamente el dispositivo de memoria USB a la unidad. No utilice cables de extensión USB ya que pueden crear interferencias que causen una pérdida de datos.
17. La etiqueta de clasificación está marcada en el panel inferior o trasero del dispositivo.
18. Este aparato no está diseñado para su uso por personas (incluyendo niños) con discapacidades físicas, sensoriales o mentales o con falta de experiencia o conocimientos, salvo que estén bajo supervisión o hayan recibido formación sobre el uso correcto del dispositivo por parte de una persona responsable de su seguridad.



19. Este producto está destinado únicamente al uso no profesional y no al uso comercial ni industrial.
20. Compruebe que la unidad está ajustada en una posición estable. Los daños causados por las vibraciones o sacudidas derivadas del uso del producto en una posición inestable o el incumplimiento de otras advertencias o precauciones incluidas en este manual del usuario no estarán cubiertos por la garantía.
21. Nunca retire la carcasa del dispositivo.
22. Nunca coloque el dispositivo sobre otros equipos eléctricos.
23. No permita que los niños accedan a las bolsas de plástico.
24. Utilice solo los accesorios especificados por el fabricante.
25. Solicite todo el trabajo de mantenimiento a personal de servicio cualificado. El dispositivo deberá ser reparado cuando quede dañado de cualquier forma, por ejemplo, si el cable de alimentación o el enchufe están dañados, se ha derramado líquido o han caído objetos sobre él, ha quedado expuesto a la lluvia o a la humedad, no funciona con normalidad, o se ha caído al suelo.
26. La exposición prolongada a sonidos fuertes de reproductores personales de música puede provocar una pérdida temporal o permanente de audición.
27. Si el producto incluye un cable de alimentación o un adaptador de CA:
  - Si hubiera algún problema, desconecte el cable de CA y solicite su mantenimiento al personal cualificado.
  - No pise ni pellizque el adaptador de corriente. Tenga mucho cuidado, en especial cerca de los enchufes y el punto de salida del cable. No coloque objetos pesados sobre el adaptador de corriente, ya que podría dañarlo. ¡Mantenga todo el dispositivo fuera del alcance de los niños! Si juegan con el cable de alimentación, pueden sufrir lesiones graves.
  - Desenchufe el dispositivo durante tormentas eléctricas o si no se utiliza durante largos periodos.
  - La toma debe estar instalada cerca del equipo y ser fácilmente accesible.
  - No sobrecargue las tomas de CA ni los cables de extensión. Una sobrecarga podría provocar un incendio o una descarga eléctrica.
  - Los dispositivos con una construcción de clase 1 deben estar conectados a una toma eléctrica con conexión a tierra protectora.
  - Los dispositivos con una construcción de clase 2 no requieren una conexión a tierra.
  - Sujete siempre el enchufe cuando lo extraiga de la toma de corriente. No estire del cable eléctrico. Podría provocar un cortocircuito.
  - No utilice cables de alimentación o enchufes deteriorados o tomas sueltas. Podría provocar un incendio o descarga eléctrica.
28. Si el producto contiene o se entrega con un mando a distancia que contiene pilas de botón:  
Advertencia:
  - «No ingiera la pila, existe riesgo de quemaduras químicas» o equivalente.
  - [Mando a distancia incluido] Este producto contiene una pila de botón. En caso de ingesta de la pila, puede provocar quemaduras internas graves en menos de 2 horas que pueden provocar la muerte.
  - Mantenga las pilas nuevas y usadas fuera del alcance de los niños.
  - Si el compartimento de las pilas no cierra bien, deje de usar el producto y manténgalo fuera del alcance de los niños.
  - Si cree que puede haber ingerido una pila, solicite inmediatamente atención médica.
29. Precauciones sobre el uso de las pilas:
  - Si la batería se sustituye incorrectamente, existe peligro de explosión. Sustitúyalas únicamente por pilas del mismo tipo o equivalentes.
  - No se puede someter las pilas a temperaturas muy altas o bajas, ni a presiones de aire bajas a altitudes altas durante el uso, almacenamiento o transporte.
  - La sustitución de una pila por una de tipo incorrecto puede resultar en una explosión o fuga del líquido o gas inflamable.
  - Arrojar una pila al fuego o a un horno caliente, o aplastarla o cortarla con medios mecánicos, puede resultar en una explosión.
  - Dejar una pila en un entorno con temperaturas muy altas puede resultar en una explosión o fuga del líquido o gas inflamable.

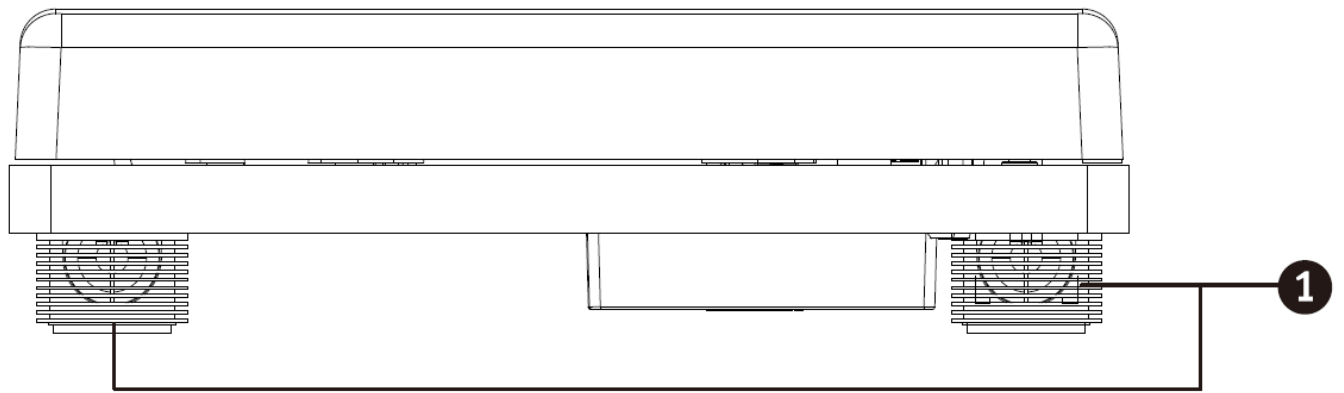
- Someter una pila a presiones de aire muy bajas puede resultar en una explosión o la fuga del líquido o gas inflamable.
- Se debe prestar atención a los aspectos medioambientales sobre la eliminación de baterías.

#### **INSTALACIÓN**

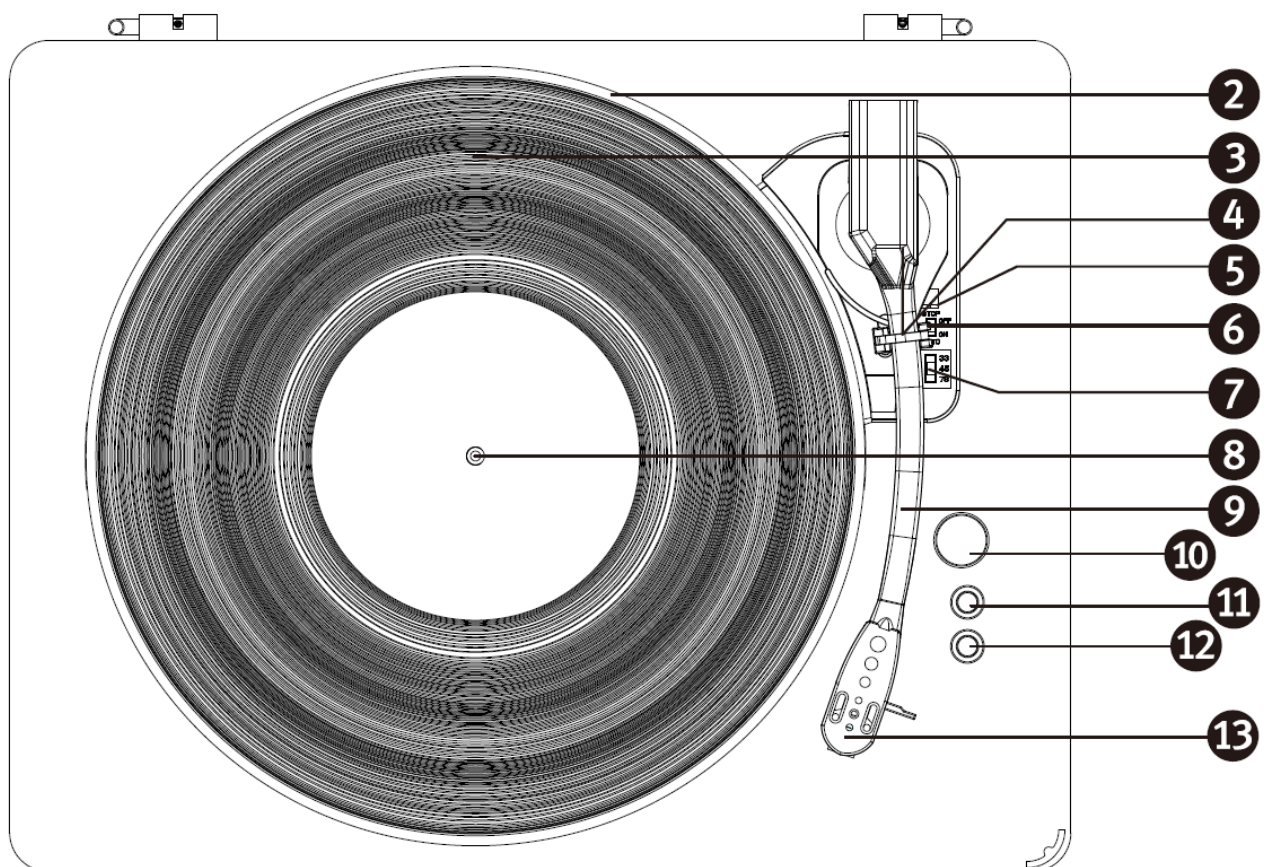
- Desempaquete todas las piezas y retire el material protector.
- No conecte la unidad a la corriente sin comprobar la tensión eléctrica y que se han hecho todas las demás conexiones.

1. PARTES DEL TOCADISCOS:

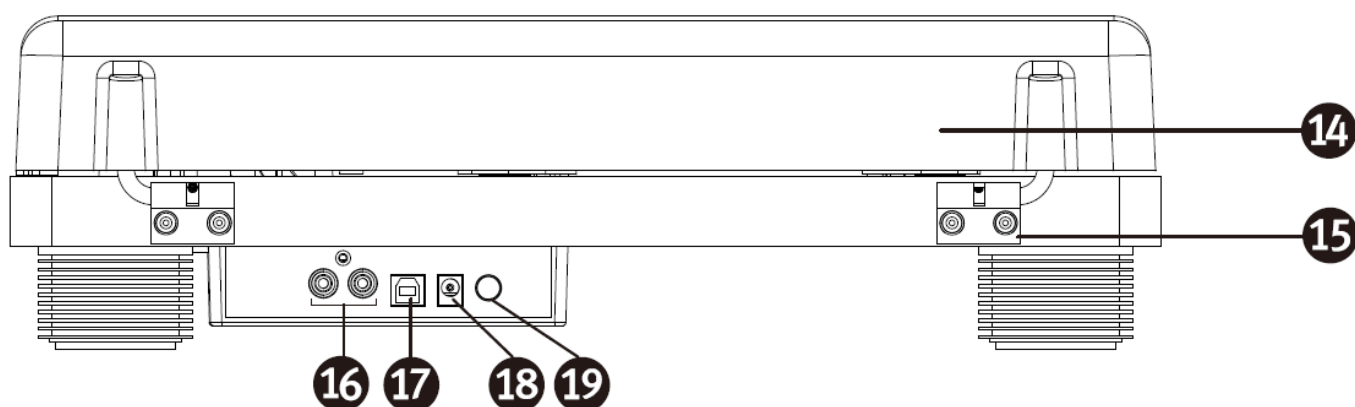
FRONTAL



PARTE SUPERIOR



## PARTE TRASERA



1. Altavoz
2. Plato del tocadiscos
3. Alfombra deslizante
4. Broche de sujeción del brazo del tocadiscos
5. Palanca de elevación
6. Interruptor de parada automática
7. Interruptor de selección de velocidad
8. Eje del tocadiscos
9. Brazo del tocadiscos
10. Botón de volumen
11. Botón de iluminación 1 (encendido/apagado, color)
12. Botón de iluminación 2 (música, atenuación)
13. Cápsula fonográfica
14. Tapa extraíble
15. Bisagra
16. Conectores de salida RCA
17. Puerto USB
18. Conector del adaptador de corriente
19. Botón de encendido/apagado

## 2. Control LED

Botón de iluminación 1 (encendido/apagado, color)

Pulsación larga: encendido/apagado del LED

Pulsación corta: cambio de color del LED (rojo, verde, azul, rojo + verde, rojo + azul, verde + azul, blanco)

Botón de iluminación 2 (música, atenuación)

Pulsación larga: atenuación del LED, los colores cambian suavemente

Pulsación corta: la luz LED sigue el ritmo de la música

## 3. ESCUCHAR UN DISCO

1. Levante la tapa del tocadiscos.
2. Pulse el botón de encendido/apagado.
3. Coloque un disco en el plato del tocadiscos y ajuste la velocidad del reproductor para que coincida con la del disco.

NOTA: Para reproducir un single (un disco de 45 r. p. m.) o discos con agujeros centrales grandes, utilice el adaptador de 45 r. p. m.

Retire la funda protectora del cartucho de la aguja y quite el bloqueo del brazo de lectura. Empuje la palanca de elevación hacia atrás y el brazo de lectura se elevará suavemente. Mueva con cuidado el brazo de lectura a la posición deseada sobre el disco y el plato del tocadiscos comenzará a girar cuando mueva el brazo hacia él si el interruptor de parada automática está encendido. Libere el brazo de lectura sobre el tocadiscos empujando la palanca de elevación hacia delante y el disco de vinilo comenzará a reproducirse.

Si el interruptor de parada automática está en ON (encendido), el disco se detendrá automáticamente cuando termine. Si el interruptor de parada automática está en OFF (apagado), el disco NO se detendrá automáticamente cuando termine. Tendrá que empujar la palanca de elevación hacia atrás para levantar el brazo de lectura y colocarlo de nuevo en el soporte y, luego, apagar el tocadiscos para que deje de girar.

**Observaciones:** La función PARADA AUTOMÁTICA funciona con la mayoría de los discos de vinilo de 33 r. p. m. Sin embargo, en algunos discos de vinilo se detendrá antes de llegar al final, o no se detendrá cuando llegue al final del disco con la PARADA AUTOMÁTICA activada.

4. Conecte las tomas de salida RCA al sistema de altavoces externo con el cable RCA (no suministrado) para disfrutar de la música de los discos de vinilo en su sistema de altavoces.

## 4. CÓMO SUSTITUIR LA AGUJA

Consulte las instrucciones siguientes para sustituir la aguja.

### Extracción de la aguja de la cápsula

1. Coloque un destornillador en la punta de la cubierta de la aguja y empuje hacia abajo en la dirección que se muestra en el dibujo «A».

2. Retire la cubierta de la aguja tirando hacia delante y empujando hacia abajo.

### Colocación de la aguja

1. Sujete la punta de la cubierta de la aguja e insértela presionando en la dirección que se indica en «B».
2. Empuje la cubierta de la aguja hacia arriba en la dirección que se indica en «C» hasta que la aguja quede sujeta en la punta.



Pasadores guía (interior)

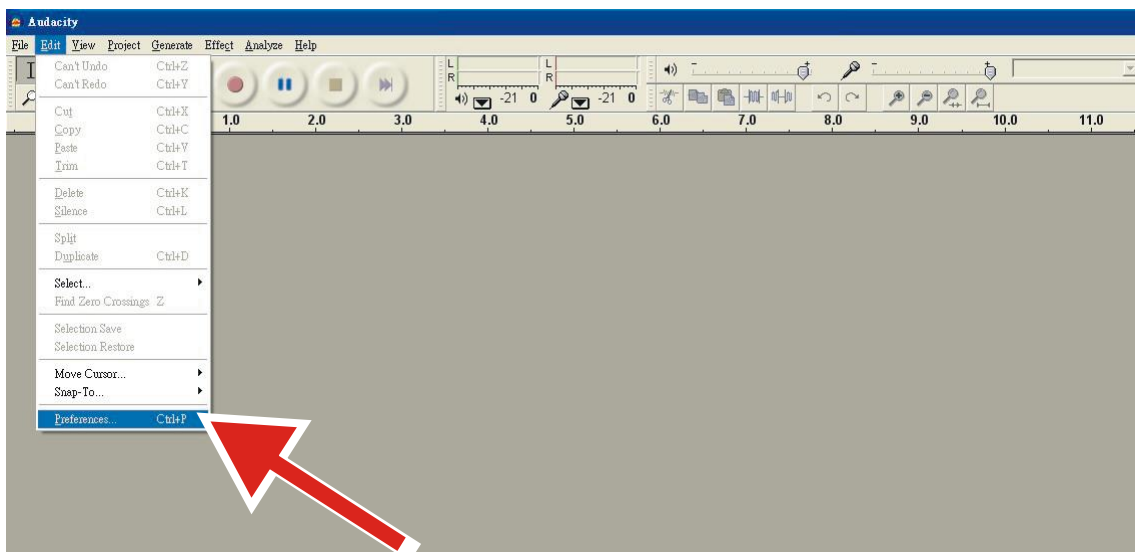
## DESCRIPCIÓN DEL SOFTWARE AUDACITY

Audacity es un software gratuito con la Licencia Pública General (GPL, por sus siglas en inglés) de GNU . Puede encontrar más información y el código fuente abierto en la página web <https://www.audacityteam.org/download/>

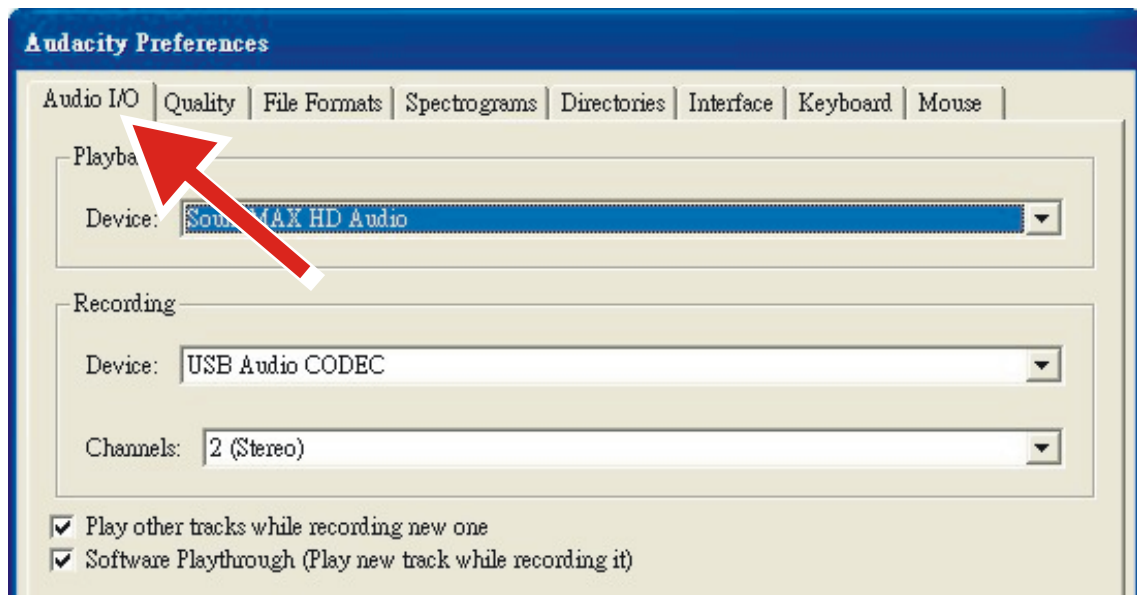
\* **Compruebe que tiene instalado el software antes de empezar.**

### Configuración del ordenador para trabajar con Audacity

1. Conecte una fuente de entrada a la unidad.
2. Conecte el cable USB al ordenador.
3. Instale el software de grabación Audacity.
4. Abra el programa Audacity.
5. Seleccione Preferencias (Preferencias) en la pestaña Edit (Editar) del menú de Audacity.



6. Seleccione la pestaña **Audio I/O (E/S de audio)** en la esquina superior izquierda.
  - En Playback (Reproducción), Device (Dispositivo), seleccione **su tarjeta de sonido interna**.
  - En Recording (Grabación), Device (Dispositivo), seleccione **USB Audio CODEC (Código de audio USB)**.
  - En Recording (Grabación), Channels (Canales), seleccione **2 (Stereo) (2 [Estéreo])** .
  - Marque la casilla **Play other tracks while recording new one (Reproducir otras pistas mientras se graba una nueva)**.
  - Marque la casilla **Software Playthrough (Playthrough de software)**.

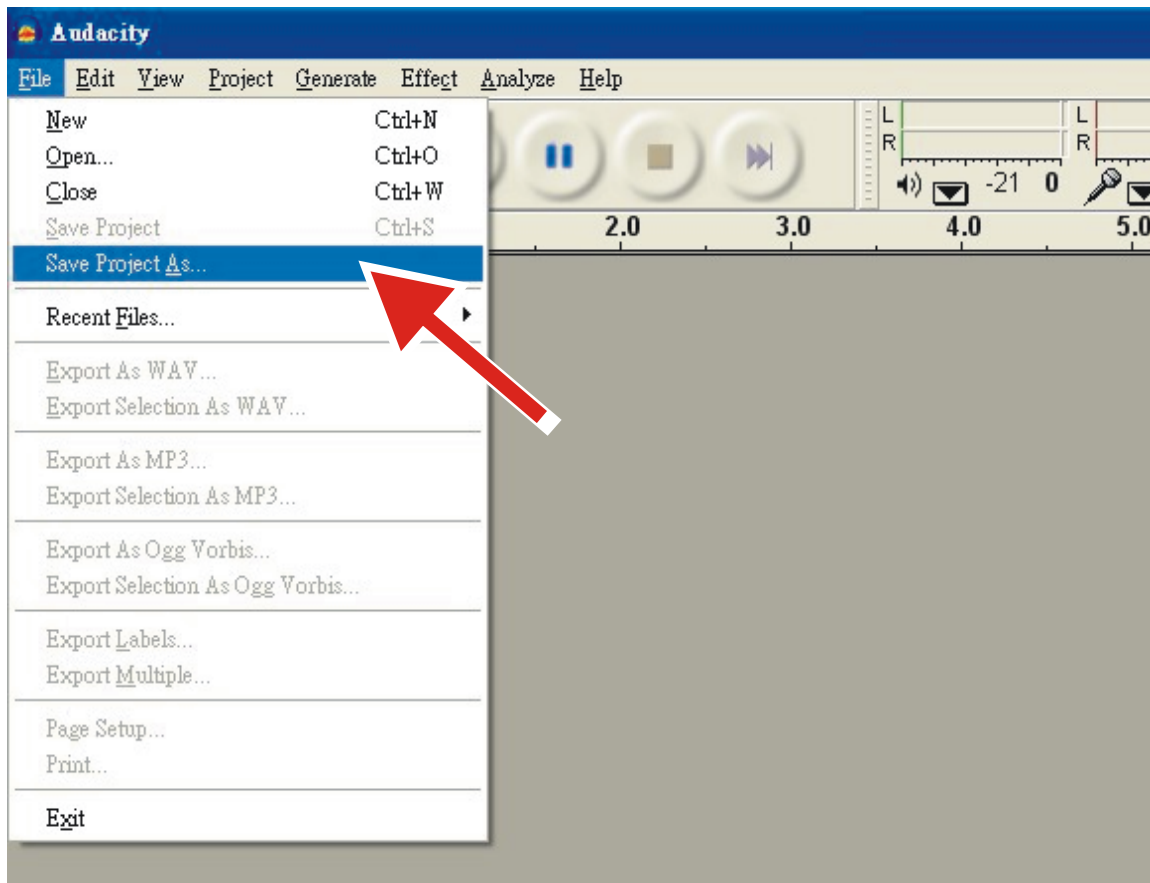


## Grabación de álbumes con Audacity

### 1. Guardar un proyecto

- Audacity escribe todo el audio grabado y modificado en un directorio llamado **Projectname\_data**, que se encuentra donde se guardó el archivo del proyecto.
- Por lo tanto, seleccione **Save Project as (Guardar proyecto como)** en la pestaña Archivo (File) de Audacity y elija una ubicación y un nombre de archivo para el proyecto.
- Tenga en cuenta que cuando inicie Audacity por primera vez, solo estará disponible la opción **Save As... (Guardar como...)** en el menú.





## 2. Cómo grabar

- Ajuste el tocadiscos USB para reproducir la canción o el álbum que quiera grabar.



- Pulse el botón rojo de Grabación para empezar a grabar.
- Baje el brazo del tocadiscos USB sobre el disco y la pista que quiera grabar.



- Pulse el botón azul de Pausa para pausar la grabación. Vuelva a pulsarlo para continuar.



- Pulse el botón amarillo para Parar.

Ya está. Ahora puede practicar con la grabación y probar las opciones de edición de Audacity. Recuerde que puede utilizar la función Deshacer de forma casi ilimitada mientras el proyecto esté abierto.

**NOTA:** No se pueden grabar CD directamente con la aplicación Audacity. Tendrá que utilizar otra aplicación de grabación de CD.

**Observaciones:** Para otras opciones avanzadas, consulte las instrucciones del CD.

## **1. CONSEJOS PARA UN MEJOR FUNCIONAMIENTO DEL TOCADISCOS**

1. Cuando abra o cierre la tapa del tocadiscos, hágalo con cuidado, agarrándola por el centro o por los lados.
2. No toque la punta de la aguja con los dedos. Procure no golpearla con el plato del tocadiscos o con el borde del disco.
3. Limpie periódicamente la punta de la aguja con un cepillo suave haciendo solo movimientos «de atrás hacia delante».
4. Si necesita usar un líquido para limpiar la aguja, utilice muy poca cantidad.
5. Limpie con cuidado la tapa y la carcasa del tocadiscos con un paño suave. Utilice solo un poco de detergente suave para limpiar el tocadiscos y la tapa.
6. Nunca use productos químicos ni disolventes agresivos en ninguna parte del tocadiscos.
7. El peso del extremo posterior del brazo de lectura está ajustado a la presión de una aguja estándar, no se recomienda modificarlo, de lo contrario, puede afectar al uso normal del tocadiscos.

## 2. ESPECIFICACIONES TÉCNICAS

|                                     |   |
|-------------------------------------|---|
| Lenco                               |   |
| Tocadiscos                          | LS-50   |
| Tipo                                | Accionamiento por correa, totalmente manual                       |
| Motor de accionamiento              | Motor DC  |
| Velocidad                           | 33 1/3 r. p. m., 45 r. p. m., 78 r. p. m.                         |
| Distorsión y variación de velocidad | <0,35 %   |
| Plato del tocadiscos                | 300 mm  |
| Cápsula                             |   |
| Tipo                                | Cápsula de cerámica 402-M208-015                                  |
| Aguja                               | 0,7 mil   |
| Fuerza de tracción óptima           | 4-6 gramos  |
| Salida                              | 160-380 mv (HP-4005)  |
| Respuesta de frecuencia             | -28 db (10 KHz)   |
| Diafonía                            | 10 db (1 KHz)   |
| Relación Señal-Ruido (S/R)          | 40 db   |
| General                             |   |
| ADAPTADOR                           | Entrada a 100-240 V CA-50/60 Hz, 0,5 A<br>Salida 12 V CC, 1000 mA |
| PRODUCTO                            | 12 V CC, 1000 mA  |
| Salida de audio (Salida de línea)   | 400-600 mv  |
| Consumo de energía                  | 12 W  |
| Dimensiones                         | 410 x 330 x 118 mm  |
| Peso neto                           | Aproximadamente 3,23 kg   |

### Adaptador de alimentación

Fabricante: SHENZHEN SHI GUANGKAIYUAN TECHNOLOGY, LTD.

Número de modelo: GKYP0100120EU1

**Use solo un adaptador de CA original.**

**Use únicamente la alimentación descrita en las instrucciones de usuario.**

| Información  | Valor y precisión  |
|--|--|
| Nombre de los fabricantes o marcas registradas, registro comercial y dirección | SHENZHEN SHI GUANGKAIYUAN TECHNOLOGY, LTD.<br><br>2 floor, 41 TianSheng Road, TianLiao village, GongMing Street, Guangming, Shenzhen, GuangDong, P. R. China |
| Identificador del modelo   | GKYPS0100120EU1  |
| Tensión de entrada   | 100-240 V  |
| Frecuencia CA de entrada   | 50-60 Hz   |
| Tensión de salida  | 12 V   |
| Corriente de salida  | 1 A  |
| Potencia de salida   | 12 W   |
| Eficiencia activa media  | 83,5 %   |
| Eficiencia a carga baja (10 %)   | 78 %   |
| Consumo energético sin carga   | 0,068 W  |

## 1. Garantía

Lenco ofrece servicio y garantía en conformidad con las leyes europeas, por lo que en caso de requerir una reparación (tanto durante como después del periodo de garantía) debe ponerse en contacto con su distribuidor local.

Nota importante: No es posible enviar directamente a Lenco los productos que necesiten reparación.

Nota importante: Si se abre la unidad o se accede a su interior en modo alguno en un centro de mantenimiento no oficial, la garantía quedará anulada.

El dispositivo no es adecuado para un uso profesional. En caso de realizar un uso profesional, todas las obligaciones de garantía del fabricante quedarán anuladas.

## 2. Aviso legal

Se realizan actualizaciones del firmware y/o componentes de hardware de manera periódica. Por tanto, algunas instrucciones, especificaciones e imágenes de estos documentos podrían diferir ligeramente de su modelo concreto. Todos los elementos descritos en esta guía son únicamente para fines ilustrativos y pueden no corresponderse a su modelo concreto. Las descripciones de este manual no otorgarán ningún derecho legal.

## 3. Eliminación de un dispositivo usado



Este símbolo indica que el producto eléctrico o batería pertinente no debe eliminarse con los residuos domésticos generales en Europa. Para garantizar un tratamiento correcto de los residuos del producto y las pilas, elimínelos en conformidad con las leyes locales vigentes para la eliminación de equipos eléctricos y pilas. Al hacerlo, ayudará a preservar los recursos naturales y mejorar los niveles de protección del medio ambiente en el tratamiento y eliminación de residuos eléctricos (Directiva sobre residuos de aparatos eléctricos y electrónicos).

## 4. Marca CE

Por la presente, Lenco Benelux B.V., Thermiekstraat 1a, 6361 HB Nuth, Países Bajos, declara que este producto cumple los requisitos fundamentales de las directivas de la UE.

Puede consultar la declaración de conformidad a través de [techdoc@commaxxgroup.com](mailto:techdoc@commaxxgroup.com)



## 5. Servicio

Para más información y atención al cliente, visite [www.lenco.com](http://www.lenco.com)

Lenco Benelux BV, Thermiekstraat 1a, 6361 HB, Países Bajos.

**ATTENZIONE:**

L'utilizzo di controlli o regolazioni o l'esecuzione di procedure diverse da quelle specificate può causare l'esposizione a radiazioni pericolose.

**PRECAUZIONI PRIMA DELL'USO**

---

**CONSERVARE QUESTE ISTRUZIONI:**

1. Non coprire o bloccare le aperture di ventilazione. Quando si posiziona il dispositivo su uno scaffale, lasciare uno spazio libero di 5 cm (2") attorno all'intero perimetro.
2. Installare secondo quanto riportato nel manuale fornito.
3. Tenere il dispositivo lontano da sorgenti termiche come radiatori, termosifoni, stufe, candele e altri prodotti che generano calore o fiamme libere. Il dispositivo può essere utilizzato solo in climi moderati. Evitare ambienti estremamente freddi o caldi. Temperatura operativa compresa tra 0° e 35 °C.
4. Evitare l'uso del dispositivo in presenza di forti campi magnetici.
5. Le scariche elettrostatiche possono interferire con il normale utilizzo di questo dispositivo. In tal caso, è sufficiente ripristinare e riavviare il dispositivo seguendo il manuale di istruzioni. Durante la trasmissione di file, maneggiarlo con cura e operare in un ambiente privo di elettricità statica.
6. Avviso! Non inserire mai oggetti nel prodotto attraverso le prese d'aria o le aperture. All'interno del prodotto sono presenti tensioni elevate e l'inserimento di un oggetto può provocare scariche elettriche e/o cortocircuiti. Per lo stesso motivo, non versare acqua o liquidi sul prodotto.
7. Non utilizzare in aree umide o bagnate come bagni, cucine con vapore o piscine.
8. Non esporre il dispositivo a schizzi o gocciolamenti di liquidi; non poggiare sopra o accanto al dispositivo oggetti contenenti liquidi, ad esempio vasi.
9. Non utilizzare questo dispositivo in caso di formazione di condensa. Quando l'unità viene utilizzata in una stanza calda e umida, all'interno dell'unità possono formarsi goccioline d'acqua o condensa e l'unità potrebbe non funzionare correttamente; lasciare l'unità spenta per 1 o 2 ore prima di accenderla: l'unità deve essere asciutta prima di essere alimentata.
10. Sebbene questo dispositivo sia fabbricato con la massima cura e controllato più volte prima di lasciare la fabbrica, è comunque possibile che si verifichino problemi come per qualsiasi altra apparecchiatura elettrica. Se si nota fumo, eccessivo accumulo di calore o altri fenomeni imprevisti, scollegare immediatamente la spina dalla presa di alimentazione principale.
11. Questo dispositivo deve funzionare con una fonte di alimentazione con i valori indicati sull'etichetta delle specifiche. Se non si è sicuri del tipo di alimentazione utilizzata in casa, consultare il rivenditore o la compagnia elettrica locale.
12. Tenere fuori dalla portata degli animali domestici, Ad alcuni animali piace mordere i cavi di alimentazione.
13. Per pulire il dispositivo, utilizzare un panno morbido e asciutto. Non usare solventi o liquidi a base di benzina.  
Per rimuovere le macchie persistenti, è possibile utilizzare un panno umido con detergente diluito.
14. Il fornitore non è responsabile per danni o perdita di dati causati da malfunzionamento, uso improprio, modifica del dispositivo o sostituzione della batteria.
15. Non interrompere la connessione quando il dispositivo sta formattando o trasferendo file. In caso contrario, i dati potrebbero essere danneggiati o andare persi.
16. Se l'unità dispone della funzione di riproduzione USB, la chiavetta USB deve essere collegata direttamente all'unità. Non utilizzare un cavo di prolunga USB perché può causare interferenze con conseguente perdita di dati.
17. L'etichetta di classificazione è stata contrassegnata sul pannello inferiore o posteriore del dispositivo.
18. Questo dispositivo non è destinato all'uso da parte di persone (compresi i bambini) con disabilità fisiche, sensoriali o mentali, o mancanti di esperienza e conoscenza, a meno che non siano sotto supervisione o abbiano ricevuto istruzioni circa l'uso corretto del dispositivo da parte di chi è responsabile per la loro sicurezza.

19. Questo prodotto è destinato esclusivamente a un uso non professionale e non può essere utilizzato per scopi commerciali o industriali.
20. Assicurarsi che l'unità sia collocata in una posizione stabile. I danni causati dall'uso di questo prodotto in una posizione instabile, vibrazioni o urti o la mancata osservanza di qualsiasi altro avvertimento o precauzione indicati in questo manuale utente non saranno coperti da garanzia.
21. Non rimuovere mai la carcassa di questo dispositivo.
22. Non posizionare mai questo dispositivo su altre apparecchiature elettriche.
23. Non permettere ai bambini di accedere ai sacchetti di plastica.
24. Utilizzare solo collegamenti/accessori specificati dal produttore.
25. Rivolgersi a personale qualificato per l'assistenza. L'assistenza è necessaria quando il dispositivo è stato in qualche modo danneggiato, come il cavo di alimentazione o la spina, quando è stato versato del liquido o sono caduti oggetti nel dispositivo, quando il dispositivo è stato esposto a pioggia o umidità, non funziona normalmente o è stato abbandonato.
26. L'esposizione prolungata ai suoni ad alto volume dei lettori musicali può causare una perdita temporanea o permanente dell'udito.
27. Se il prodotto viene fornito con un cavo di alimentazione o un alimentatore CA:
  - In caso di problemi, scollegare la scheda di alimentazione CA e rivolgersi a personale qualificato.
  - Non calpestare o schiacciare l'alimentatore. Fare molta attenzione, in particolare vicino alle prese e al punto di uscita del cavo. Non posizionare oggetti pesanti sull'alimentatore in quanto potrebbero danneggiarlo. Tenere il dispositivo fuori dalla portata dei bambini. Giocando con il cavo di alimentazione possono infortunarsi seriamente.
  - Scollegare il dispositivo durante i temporali o quando non viene utilizzato per un lungo periodo.
  - La presa di corrente deve essere installata vicino all'apparecchio e deve essere facilmente accessibile.
  - Non sovraccaricare le prese CA né le prolunghe. Il sovraccarico può causare incendi o scariche elettriche.
  - I dispositivi con struttura di classe 1 devono essere collegati a una presa di rete con connessione di messa a terra di protezione.
  - I dispositivi con struttura di classe 2 non richiedono una connessione a terra.
  - Tenere sempre la spina quando la si estrae dalla presa di rete. Non tirare il cavo di alimentazione. Ciò può causare un cortocircuito.
  - Non utilizzare un cavo o una presa di alimentazione danneggiati o una presa non fissata. Tale azione potrebbe provocare incendi o scariche elettriche.
28. Se il prodotto contiene o viene consegnato con un telecomando contenente batterie a pulsante/a bottone:
 

Avvertenza:

  - "Non ingerire la batteria, pericolo di ustioni chimiche" o funzionamento equivalente.
  - (Il telecomando in dotazione con) Il presente prodotto contiene una pila a bottone. Se ingerita, la batteria può causare gravi ustioni interne in sole 2 ore e portare alla morte.
  - Tenere le batterie, nuove o usate, fuori dalla portata dei bambini.
  - Se il vano batteria non si chiude completamente, interrompere l'uso del dispositivo e tenerlo fuori della portata dei bambini.
  - Se si teme che delle batterie possano essere state inghiottite o essere venute a contatto con qualsiasi parte interna del corpo, contattare immediatamente un medico.
29. Precauzioni sull'uso delle batterie:
  - Pericolo di esplosione se la batteria non è sostituita correttamente. Sostituire solo con lo stesso tipo o equivalente.
  - Non sottoporre le batterie a temperature estreme alte o basse, bassa pressione dell'aria ad alta quota durante l'uso, lo stoccaggio o il trasporto.
  - La sostituzione di una batteria con una di tipo non corretto può provocare un'esplosione o la fuoriuscita di liquido o gas infiammabile.
  - Lo smaltimento di una batteria nel fuoco o in un forno caldo o lo schiacciamento o il taglio meccanico di una batteria possono provocare un'esplosione.
  - Lasciare una batteria in un ambiente a temperatura estremamente elevata può provocare un'esplosione o la fuoriuscita di liquido o gas infiammabile.

- Una batteria sottoposta a una pressione atmosferica estremamente bassa può esplodere o lasciar uscire liquidi o gas infiammabili.
- È necessario prestare attenzione agli aspetti ambientali legati allo smaltimento delle batterie.

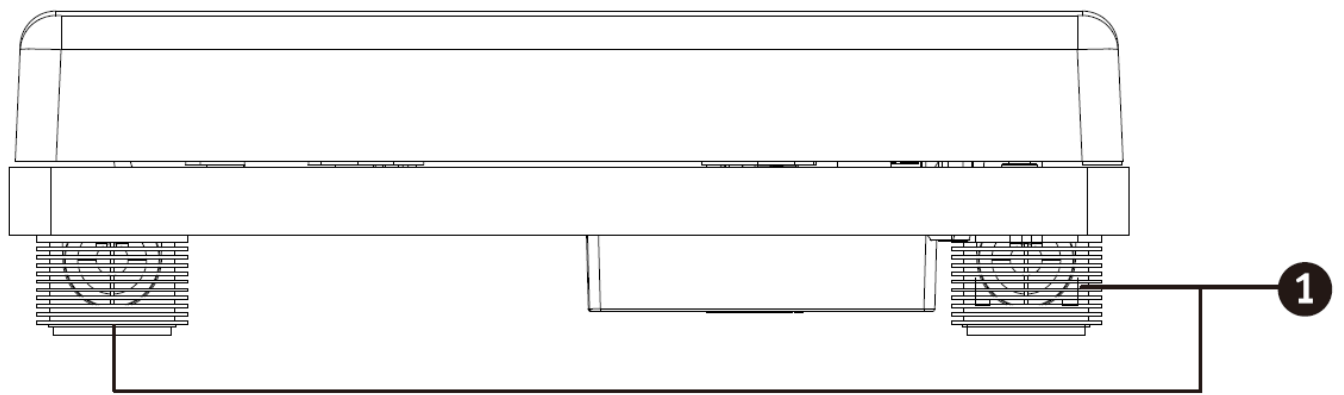
#### **INSTALLAZIONE**

- Disimballare tutte le parti e rimuovere il materiale protettivo.
- Non collegare l'unità alla rete elettrica prima di avere controllato la tensione di rete e prima che siano stati effettuati tutti gli altri collegamenti.

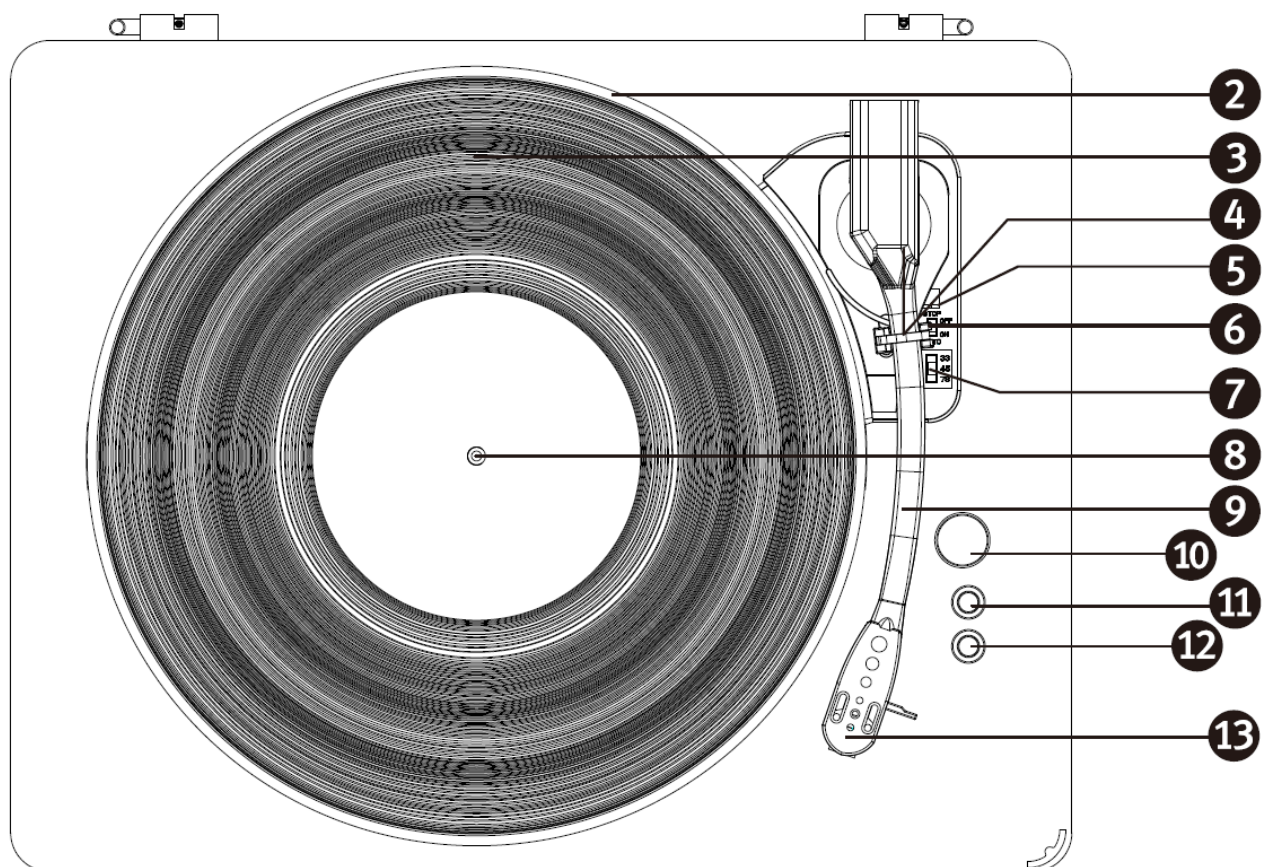


1. PARTI DEL GIRADISCHI:

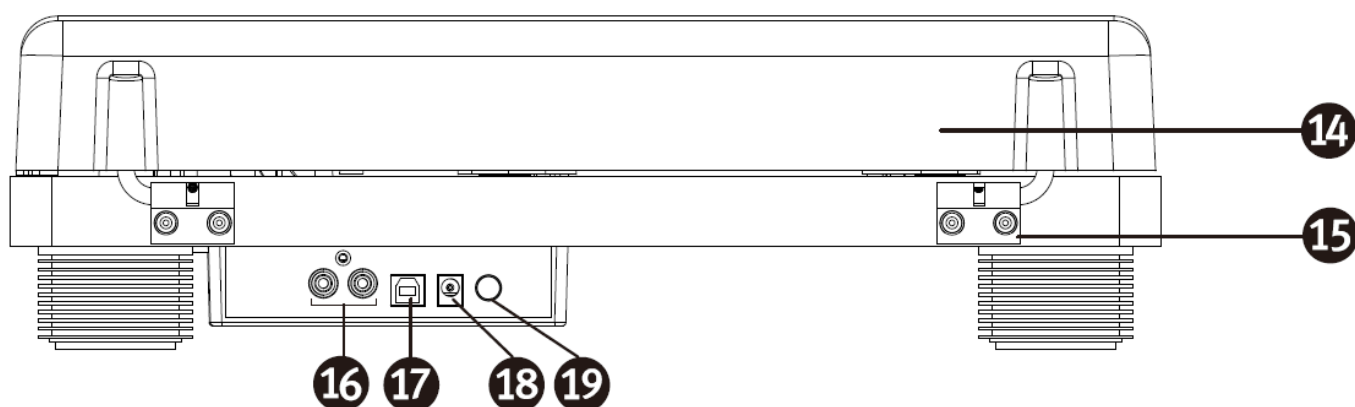
PARTE ANTERIORE



ALTO



## PARTE POSTERIORE



1. Altoparlante
2. Piatto del giradischi
3. Tappetino antiscivolo
4. Blocco del braccio del giradischi con leva di sollevamento
5. Leva di sollevamento
6. Selettore controllo stop automatico
7. Selettore velocità
8. Albero del giradischi
9. Braccio del giradischi
10. Manopola del volume
11. Pulsante di illuminazione 1 (ON/OFF, Colore)
12. Pulsante di illuminazione 2 (Musia, ON/OFF, Dissolvenza)
13. Testina puntina fono
14. Rimuovere il coperchio antipolvere
15. Cardini
16. Jack uscita RCA
17. Jack USB
18. Jack adattatore alimentazione
19. Pulsante accensione/spegnimento

## 2. Controllo LED

Pulsante di illuminazione 1 (ON/OFF, Colore)

Pressione prolungata – LED On/Off

Pressione breve – Modifica colore LED (Rosso, Verde, Blu, Rosso+Verde, Rosso+Blu, Verde+Blu, Bianco)

Pulsante di illuminazione 2 (Musia, ON/OFF, Dissolvenza)

Pressione prolungata – Animazione dissolvenza LED: i colori cambieranno delicatamente

Pressione breve – Le animazioni LED seguono i battiti della musica

## 3. ASCOLTO DI UN DISCO

1. Sollevare il coperchio antipolvere.
2. Premere il pulsante accensione/spegnimento.
3. Porre un disco sul giradischi e impostare la velocità del lettore corrispondente.  
NOTA: quando si riproduce un singolo (un disco da 45 giri/min) e/o dischi con grandi fori centrali, utilizzare l'adattatore da 45 giri/min.

Rimuovere la copertura protettiva della testina dell'ago e sbloccare il blocco del supporto del braccio. Spingere indietro la leva di sollevamento, il braccio si solleverà delicatamente. Spostare delicatamente il braccio nella posizione desiderata sul disco e il piatto del giradischi inizierà a ruotare quando il braccio viene spostato verso di esso se l'interruttore di controllo arresto automatico è su ON. Rilasciare il braccio sul giradischi spingendo la leva di sollevamento in avanti e il disco in vinile inizierà a suonare.

Se l'interruttore di controllo arresto automatico è attivato, il disco si interromperà automaticamente al termine. Se l'interruttore di controllo arresto automatico è disattivato, il disco NON si interromperà automaticamente al termine; è necessario spingere la leva di sollevamento all'indietro per sollevare il braccio e riposizionarlo nel braccio, quindi spegnere l'alimentazione per fermare la rotazione del giradischi.

**Osservazioni:** La funzione ARRESTO AUTOMATICO si applica alla maggior parte dei dischi in vinile a 33 giri/min. Tuttavia, per pochissimi dischi in vinile, si fermerà quando non arriva alla fine, o non si fermerà quando arriva alla fine quando ARRESTO AUTOMATICO è su ON.

4. Collegare il jack di uscita RCA al sistema di altoparlanti esterni con il cavo RCA (non fornito) per ascoltare la musica dei dischi in vinile sul sistema di altoparlanti.

## 4. COME SOSTITUIRE L'AGO

Per sostituire l'ago fare riferimento alle istruzioni di seguito.

### Rimozione dell'ago dalla testina.

1. Posizionare un cacciavite sulla punta del guscio dell'ago e spingere verso il basso nella direzione mostrata nello schizzo "A".
2. Rimuovere il guscio dell'ago tirandolo in avanti e spingendolo verso il basso.

### Inserimento dell'ago

1. Tenere la punta del guscio dell'ago e inserirlo premendo nella direzione illustrata da "B".
2. Spingere il guscio della testina dell'ago verso l'alto nella direzione illustrata da "C" finché l'ago non si blocca nella posizione della punta.



### PANORAMICA SOFTWARE AUDACITY

Audacity è un software gratuito, concesso in licenza con GNU General Public License (GPL).

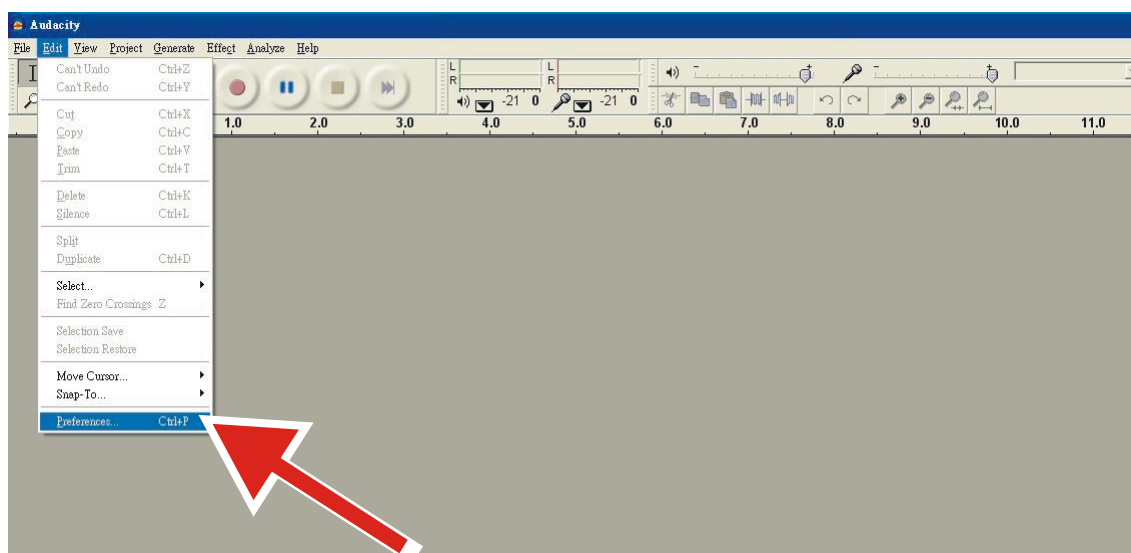
Ulteriori informazioni e codice open source sono disponibili sul Web all'indirizzo

<https://www.audacityteam.org/download/>

\* Assicurarsi di aver installato il software prima di iniziare.

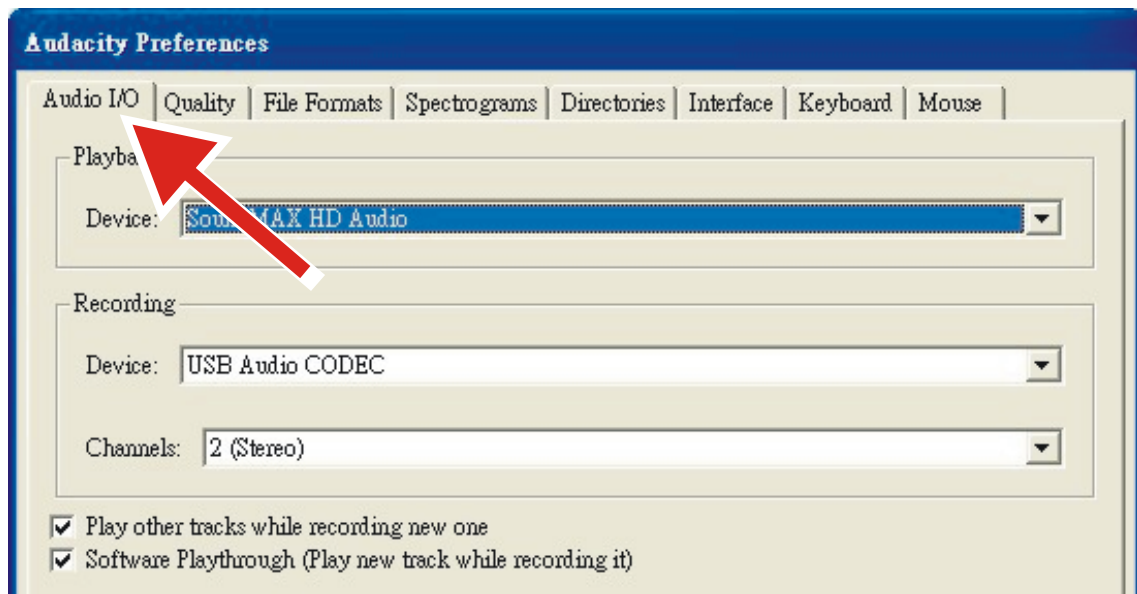
### Configurare il PC per lavorare con Audacity

1. Collegare una sorgente di ingresso all'unità.
2. Collegare il filo USB al proprio computer.
3. Installare il software di registrazione Audacity.
4. Aprire il programma Audacity.
5. Selezionare Preferences (Preferenza) dalla scheda Edit (Modifica) nel menu Audacity.



6. Selezionare la scheda **Audio I/O** in alto a sinistra.

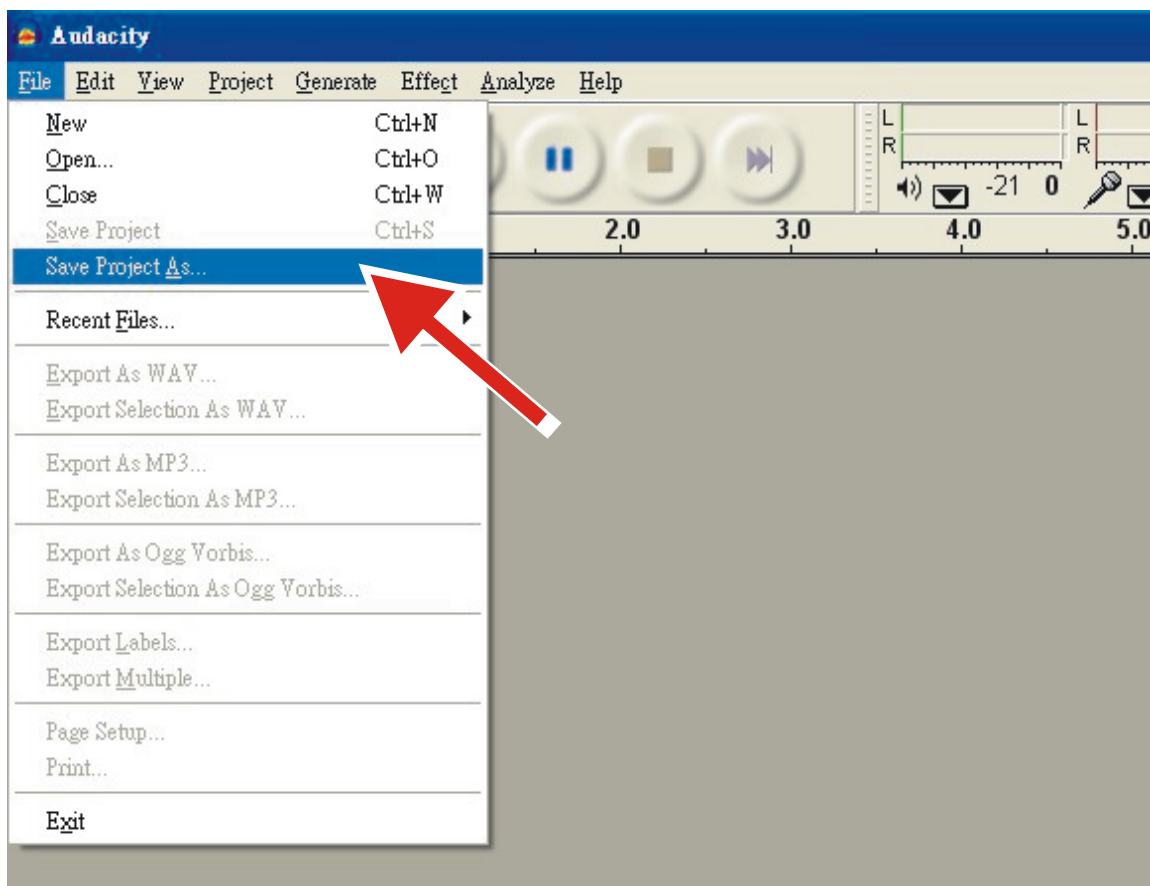
- In Riproduzione, Dispositivo, selezionare **your internal sound card (scheda audio interna)**.
- In Registrazione, Dispositivo, selezionare **USB Audio CODEC (CODEC audio USB)**.
- In Registrazione, Canali, selezionare **2 (Stereo)**.
- Spuntare la casella contrassegnata con **Play other tracks while recording new one (Riproduci altre tracce mentre ne si registra una)**.
- Spuntare la casella contrassegnata con **Software Playthrough (Video esplicativo del software)**.



### Registrazione di album con Audacity

#### 1. Salvataggio di un progetto


- Audacity scrive tutti gli audio modificati e registrati in una directory chiamata **Projectname\_data**, che si trova proprio dove si è salvato il file del progetto stesso.
- Quindi, selezionare **Save Project as (Salva progetto come)** dalla scheda File Audacity e scegliere una posizione e nome del file per il progetto.
- Si noti che quando si avvia Audacity, solo l'opzione del menu "**Save As...**" ("**Salva come...**") è disponibile.



## 2. Come registrare


- Impostare il giradischi USB per riprodurre il brano o l'album che si desidera registrare.




- Fare clic sul pulsante Registra  per avviare la registrazione.

- Abbassare il braccio sul giradischi USB sul disco e la traccia che si desidera registrare.



- Fare clic sul pulsante Pausa  blu per mettere in pausa la registrazione. Premere per continuare.



- Fare clic sul pulsante Stop giallo .

Ecco fatto. Ora è possibile muoversi nella registrazione ed esplorare le capacità di editing di Audacity. Ricordarsi che è possibile usare la funzione Annulla quasi senza limiti mentre il progetto è aperto.

**NOTA:** non è possibile masterizzare CD direttamente dall'applicazione Audacity. Devono essere usate altre applicazioni per la masterizzazione di CD.

**Osservazioni:** Per il funzionamento avanzato, fare riferimento alle istruzioni all'interno del CD.

## **1. SUGGERIMENTI PER MIGLIORI PRESTAZIONI DEL GIRADISCHI**

1. Quando si apre o si chiude il coperchio del giradischi, maneggiarlo delicatamente, afferrandolo al centro o su entrambi i lati.
2. Non toccare la punta dell'ago con le dita; evitare di sbattere l'ago contro il piatto del giradischi o il bordo del disco.
3. Pulire frequentemente la punta dell'ago: utilizzare una spazzola morbida solo con un movimento "da dietro a davanti".
4. Se è necessario usare un liquido per la pulizia degli aghi, usarlo con molta parsimonia.
5. Pulire delicatamente il coperchio antipolvere e l'alloggiamento del giradischi con un panno morbido. Utilizzare solo una piccola quantità di detergente delicato per pulire il giradischi e il coperchio antipolvere.
6. Non applicare mai prodotti chimici o solventi aggressivi a nessuna parte del sistema del giradischi.
7. Il peso nella parte posteriore del braccio è impostato alla pressione dell'ago standard, non è consigliabile eseguire la regolazione; in caso contrario, potrebbe influire sul normale utilizzo di questo giradischi.

## 2. SPECIFICHE TECNICHE

|                                |   |
|--------------------------------|---|
| Lenco                          |   |
| Giradischi                     | LS-50   |
| Tipo                           | Trasmissione a cinghia completamente manuale                  |
| Motore guida                   | Motore CC   |
| Velocità                       | 33 1/3 giri/min, 45 giri/min, 78 giri/min                     |
| Wow and Flutter                | <0,35%  |
| Piatto del giradischi          | 300 mm  |
| Testina                        |   |
| Tipo                           | Testina in ceramica 402-M208-015                              |
| Puntina                        | 0,7 mil   |
| Forza di tracciamento ottimale | 4-6 g   |
| Uscita                         | 160-380 mv (HP-4005)  |
| Risposta in frequenza          | -28 db (10 KHz)   |
| Diafonia                       | 10 db (1 KHz)   |
| Rapporto segnale-rumore (S/N)  | 40 db   |
| Generale                       |   |
| ADATTATORE                     | ingresso 100-240 VCA~50/60 Hz 0,5 A<br>uscita 12 VCC 1.000 mA |
| PRODOTTO                       | 12 VCC 1.000 mA   |
| Uscita audio (Linea uscita)    | 400-600 mv  |
| Consumo di energia             | 12 W  |
| Dimensioni                     | 410x330x118 MM  |
| Peso netto                     | circa 3,23 KG   |

### Alimentatore

Produttore: SHENZHEN SHI GUANGKAIYUAN TECHNOLOGY.,LTD.

Numero di modello: GKYP0100120EU1

**Utilizzare solo adattatore CA originale**

**Utilizzare solo l'alimentazione indicata nel presente manuale.**



| Informazioni   | Valore e precisione   |
|--|---|
| Nome del produttore o marchio commerciale, registrazione commerciale e indirizzo | SHENZHEN SHI GUANGKAIYUAN TECHNOLOGY.,LTD.<br><br>2 floor, 41 TianSheng Road, TianLiao village, GongMing Street, Guangming, Shenzhen, GuangDong, R.P.C. |
| Identificatore del modello   | GKYP50100120EU1   |
| Tensione in ingresso   | 100-240 V   |
| Frequenza in ingresso CA   | 50-60 Hz  |
| Tensione in uscita   | 12 V  |
| Corrente in uscita   | 1 A   |
| Potenza in uscita  | 12 W  |
| Efficienza media attiva  | 83,5%   |
| Efficienza a basso carico (10%)  | 78%   |
| Nessun carico Consumo energetico   | 0,068 W   |

### 1. Garanzia

Lenco offre assistenza e garanzia in conformità con la legge europea, il che significa che in caso di riparazioni (sia durante che dopo il periodo di garanzia) è necessario contattare il rivenditore locale.

Nota importante: non è possibile inviare direttamente a Lenco i prodotti da riparare.

Nota importante: Qualora l'unità venga aperta o manomessa in qualsiasi modo da un centro di assistenza non riconosciuto, la garanzia decade.

Questo dispositivo non è adatto per l'uso professionale. Qualora l'unità venga utilizzata per scopi professionali, tutti gli obblighi del produttore derivanti dalla garanzia sono nulli.

### 2. Clausola di esclusione della responsabilità

Il firmware e/o i componenti hardware vengono aggiornati regolarmente. Pertanto, è possibile che alcune parti relative a istruzioni, specifiche e immagini contenute nella presente documentazione siano diverse da quanto riscontrato nel singolo caso. Tutte le descrizioni incluse in questa guida sono fornite a puro titolo illustrativo e non si applicano necessariamente alla specifica situazione. Nessun diritto legale o contrattuale può derivare dalle descrizioni contenute nel presente libretto di istruzioni.

### 3. Smaltimento a fine vita del dispositivo



Questo simbolo indica che in Europa è vietato gettare il relativo prodotto elettrico o batteria tra i rifiuti domestici. Per il corretto smaltimento a fine vita del prodotto e della batteria, attenersi alle vigenti normative locali per il trattamento dei rifiuti da apparecchiature elettriche ed elettroniche e delle batterie. In tal modo si contribuisce a salvaguardare le risorse naturali e a migliorare gli standard per la protezione dell'ambiente nel trattamento dei rifiuti da apparecchiature elettriche ed elettroniche (Direttiva RAEE).

### 4. Marchio CE

Con la presente, Lenco Benelux B.V., Thermiekstraat 1a, 6361 HB Nuth, Paesi Bassi, dichiara che questo prodotto è conforme ai requisiti essenziali della Direttiva europea.

La dichiarazione di conformità può essere richiesta inviando un'e-mail a [techdoc@commaxxgroup.com](mailto:techdoc@commaxxgroup.com)



### 5. Assistenza

Per ulteriori informazioni e accesso all'helpdesk, visitare il sito [www.lenco.com](http://www.lenco.com)

Lenco Benelux BV, Thermiekstraat 1a, 6361 HB, Paesi Bassi