

Operating Instructions

Home Theater Audio System

Model No. **SC-HTB400**
SC-HTB600



This illustration shows SC-HTB400.

Thank you for purchasing this product.
For optimum performance and safety, please read these instructions carefully.
Please keep this manual for future reference.

Included Installation Instructions

The installation work should be done by a qualified installation specialist. (⇒ 11 to 16)

Before commencing work, carefully read these installation instructions and the operating instructions to ensure that installation is performed correctly.

(Please keep these instructions. You may need them when maintaining or moving this system.)

“EB” indicates the United Kingdom model.

Safety precautions

WARNING!

Unit

- To reduce the risk of fire, electric shock or product damage,
 - Do not expose this unit to rain, moisture, dripping or splashing.
 - Do not place objects filled with liquids, such as vases, on this unit.
 - Use the recommended accessories.
 - Do not remove covers.
 - Do not repair this unit by yourself. Refer servicing to qualified service personnel.
- To prevent injury, this unit must be securely attached to the wall in accordance with the installation instructions.

AC mains lead

- To reduce the risk of fire, electric shock or product damage,
 - Ensure that the power supply voltage corresponds to the voltage printed on this unit.
 - Insert the mains plug fully into the socket outlet.
 - Do not pull, bend, or place heavy items on the lead.
 - Do not handle the plug with wet hands.
 - Hold onto the mains plug body when disconnecting the plug.
 - Do not use a damaged mains plug or socket outlet.

Small objects

- Keep the screws and insulation sheet (battery) out of reach of children to prevent swallowing.

Button-type battery (Lithium battery)

- Risk of fire, explosion and burns. Do not recharge, disassemble, heat above 60°C or incinerate.



WARNING
DO NOT INGEST BATTERY,
CHEMICAL BURN HAZARD

This remote control contains a coin/button cell battery. If the coin/button cell battery is swallowed, it can cause severe internal burns in just 2 hours and can lead to death. Keep new and used batteries away from children. If the battery compartment does not close securely, stop using the remote control and keep it away from children. If you think batteries might have been swallowed or placed inside any part of the body, seek immediate medical attention.

CAUTION!

Unit

- To reduce the risk of fire, electric shock or product damage,
 - Do not install or place this unit in a bookcase, built-in cabinet or in another confined space. Ensure this unit is well ventilated.
 - Do not obstruct this unit's ventilation openings with newspapers, tablecloths, curtains, and similar items.
 - Do not place sources of naked flames, such as lighted candles, on this unit.
- This unit is intended for use in moderate climates.
- This unit may receive radio interference caused by mobile telephones during use. If such interference occurs, please increase separation between this unit and the mobile telephone.
- Product Identification Marking is located on the bottom of the unit.
- Set the unit up on an even surface away from direct sunlight, high temperatures, high humidity, and excessive vibration.
- This system might get warm after prolonged usage. This is normal. Do not be alarmed.

AC mains lead

- The mains plug is the disconnecting device. Install this unit so that the mains plug can be unplugged from the socket outlet immediately.

Button-type battery (Lithium battery)

- Danger of explosion if battery is incorrectly replaced. Replace only with the type recommended by the manufacturer.
- When disposing of the batteries, please contact your local authorities or dealer and ask for the correct method of disposal.
- Do not heat or expose to flame.
- Do not leave the battery(ies) in a car exposed to direct sunlight for a long period of time with doors and windows closed.
- Insert with poles aligned.
- Remove the battery if you do not use the remote control for a long period of time. Keep in a cool, dark area.

Caution for AC mains lead

(For the AC mains plug of three pins)

For your safety, please read the following text carefully.

This appliance is supplied with a moulded three pin mains plug for your safety and convenience. A 5-ampere fuse is fitted in this plug. Should the fuse need to be replaced please ensure that the replacement fuse has a rating of 5-ampere and that it is approved by ASTA or BSI to BS1362.

Check for the ASTA mark  or the BSI mark  on the body of the fuse.

If the plug contains a removable fuse cover you must ensure that it is refitted when the fuse is replaced.

If you lose the fuse cover the plug must not be used until a replacement cover is obtained. A replacement fuse cover can be purchased from your local dealer.

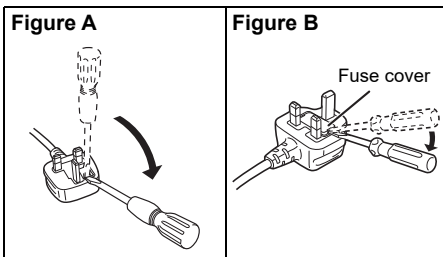
Before use

Remove the connector cover.

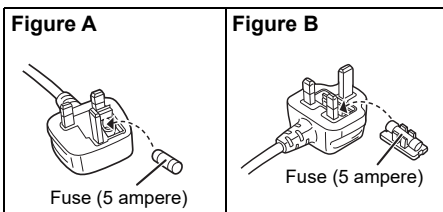
How to replace the fuse

The location of the fuse differ according to the type of AC mains plug (figures A and B). Confirm the AC mains plug fitted and follow the instructions below. Illustrations may differ from actual AC mains plug.

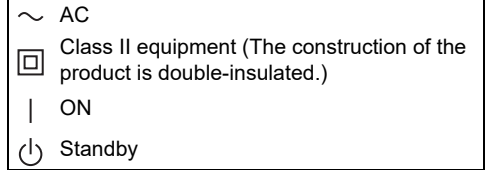
1. Open the fuse cover with a screwdriver.



2. Replace the fuse and close or attach the fuse cover.



The symbols on this product (including the accessories) represent the following:



Sales and Support Information

For the United Kingdom and Ireland

Customer Communications Centre

- For customers within the UK: 0344 844 3899
- For customers within Ireland: 01 289 8333
- Monday – Friday 9:00am – 5:00pm (Excluding public holidays).
- For further support on your product, please visit our website: www.panasonic.co.uk

Direct Sales at Panasonic UK

- Order accessory and consumable items for your product with ease and confidence by phoning our Customer Communications Centre Monday – Friday 9:00am – 5:00pm (Excluding public holidays).
- Or go on line through our Internet Accessory ordering application at www.pas-europe.com.
- Most major credit and debit cards accepted.
- All enquiries transactions and distribution facilities are provided directly by Panasonic UK.
- It couldn't be simpler!
- Also available through our Internet is direct shopping for a wide range of finished products. Take a browse on our website for further details.

Table of contents

Safety precautions	2
Caution for AC mains lead	3
Sales and Support Information	3
Supplied items	4
Overview of controls	5
Making the connections	8
Placement	11
Wireless Connections	17
Basic control	18
Sound menu	18
Setup menu	19
Firmware updates	20
HDMI CEC	20
Troubleshooting	21
Unit care	23
Specifications	24
References	29

Your system and the illustrations can look differently.

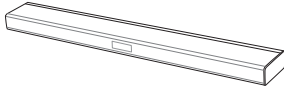
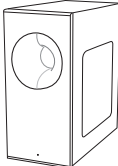
HTB400: Indicate features applicable to SC-HTB400 only.

HTB600: Indicate features applicable to SC-HTB600 only.

Supplied items


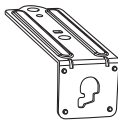


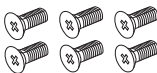
Product numbers correct as of March 2020. These may be subject to change.

This system

<p><input type="checkbox"/> 1 Main unit (speaker) HTB400: (SC-HTB400) HTB600: (SU-HTB600)</p> 	<p><input type="checkbox"/> HTB600 1 Active subwoofer (SB-HWA600)</p> 
--	---

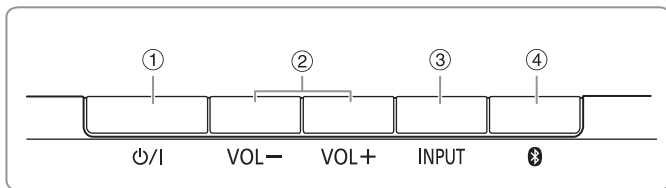
Accessories

Check and identify the supplied accessories.

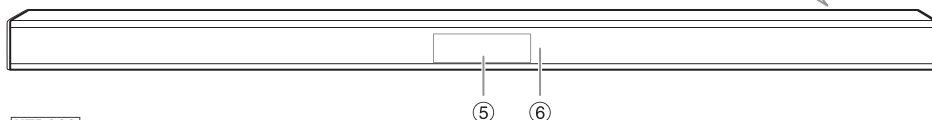
<p><input type="checkbox"/> 1 Remote control (with a battery) (N2QAYC000121)</p> 	<p><input type="checkbox"/> 1 Wall mount bracket (left) (TEKL049)</p> 	<p><input type="checkbox"/> 1 Wall mount bracket (right) (TEKL050)</p> 
<p><input type="checkbox"/> 2 Stands (TYL0480)</p> 	<p><input type="checkbox"/> 6 Screws (THEC407Z)</p> 	

Overview of controls

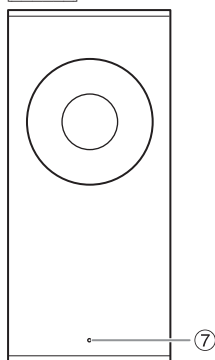
Do the procedure with the remote control. You can also use the buttons on the main unit if they are the same.



Main Unit (Front)



HTB600



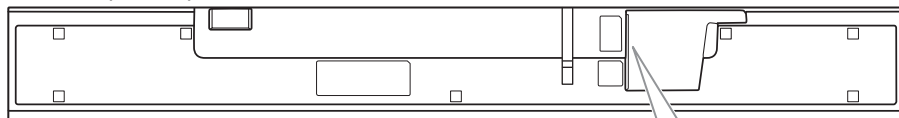
Active subwoofer (Front)

- ① **Standby/on switch** [⏻/⏻]
Press to switch the unit from on to standby mode or vice versa. In standby mode, the unit is still consuming a small amount of power.
- ② Adjust the volume level (⇒ 18)
- ③ **Select the input source**
HTB400
TV ↔ BT
HTB600
TV → HDMI → BT
- ④ **Select the Bluetooth® device as the source** (⇒ 17)
To start Bluetooth® pairing, press and hold [Ⓜ].
- ⑤ Display panel
- ⑥ **Remote control sensor**
Point the remote control at the remote control sensor, away from obstacles and within the operation range.
Distance: Within approximately 7 m
Angle: Approximately 20° up and down, 30° left and right
- ⑦ HTB600
WIRELESS LINK indicator (⇒ 17)

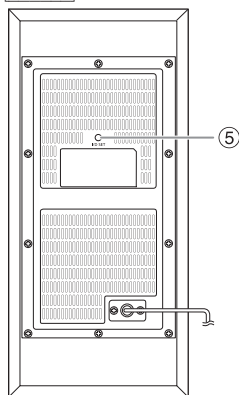
Note:

- Do not place objects in front of this system.
- Do not place objects on top of the main unit. Do not block the top surface of the main unit for proper ventilation.
- Remove dust and dirt from this system regularly. (⇒ 23)

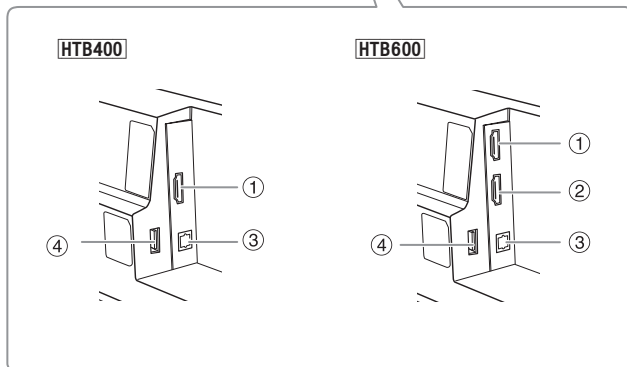
Main unit (Bottom)



HTB600

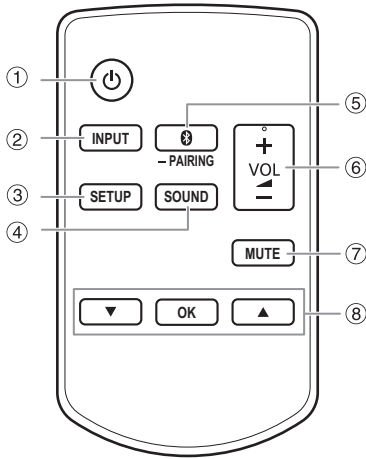


Active subwoofer (Rear)



- ① **HTB400** HDMI TV (ARC) terminal (ARC compatible) (⇒ 8)
HTB600 HDMI AV IN terminal (⇒ 9)
- ② **HTB600** HDMI AV OUT (TV (eARC/ARC)) terminal (eARC/ARC compatible) (⇒ 8, 9)
- ③ OPTICAL DIGITAL AUDIO IN terminal (⇒ 8)
- ④ USB port (For firmware updates) (⇒ 20)
- ⑤ **HTB600** I/D SET button
The main unit is by default already paired with the active subwoofer. Hence this button is used only when the main unit and the active subwoofer need to be paired again. (⇒ 22)

Remote control

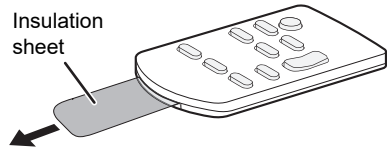


- 1 Switch the main unit on or off
- 2 **Select the input source**
HTB400
TV ↔ BT
HTB600
TV → HDMI → BT
- 3 Select the setup menu (⇒ 19)
- 4 Select the sound mode (⇒ 18)
- 5 **Select the Bluetooth® device as the source**
(⇒ 17)
To start Bluetooth® pairing, press and hold [PAIRING].
- 6 Adjust the volume level (⇒ 18)
- 7 Mute the sound (⇒ 18)
- 8 Select and confirm the option

Preparing the remote control

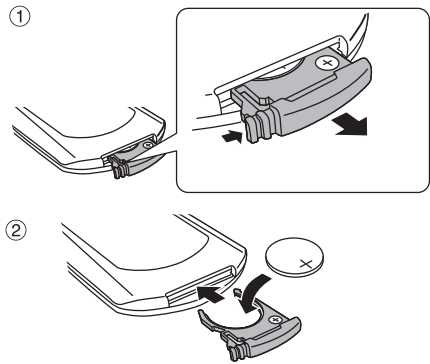
Before using for the first time

Remove the insulation sheet.



Replacing the battery

Replace with a new battery (CR2025 lithium battery).



Insert a new battery with the (+) side facing up.

Cautions!

Avoid the use in the following conditions

- High or low extreme temperatures during use, storage or transportation.
- Replacement of a battery with an incorrect type.
- Disposal of a battery into fire or a hot oven, or mechanically crushing or cutting of a battery, that can result in an explosion.
- Extremely high temperature and/or extremely low air pressure that can result in an explosion or the leakage of flammable liquid or gas.

Making the connections

Switch off all equipment before connection.

Components and cables are sold separately.

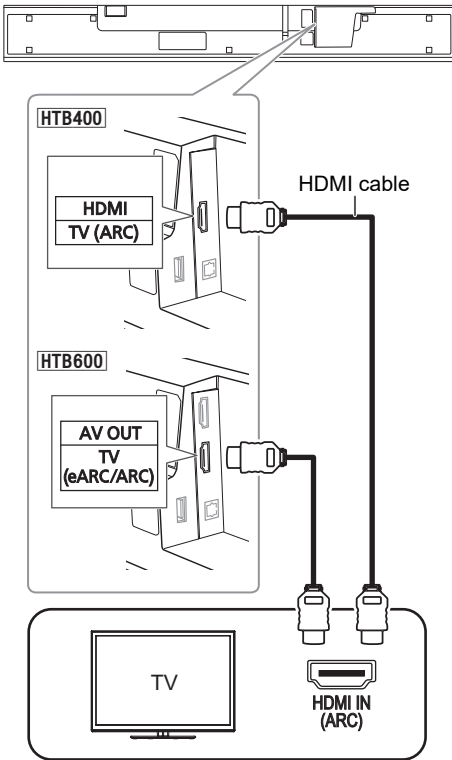
Connect the AC mains lead only after all the other connections have been made.

When connecting to 4K compatible equipment and 4K Ultra HD TV, use High Speed HDMI cables which support 18 Gbps bandwidth.

Connecting the TV

■ Connect an ARC or eARC compatible TV

Connect to the ARC or eARC compatible terminal of the TV with an ARC or eARC compatible high speed HDMI cable.



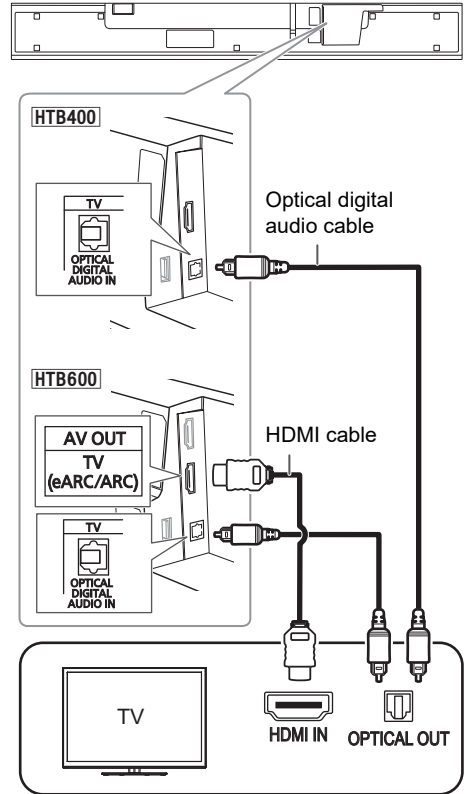
ARC (Audio Return Channel)

ARC is an HDMI function that lets you enjoy both sound and TV pictures with one HDMI cable, the optical digital audio cable that is usually required in order to listen to sound from a TV is no longer required.

eARC (Enhanced ARC) HTB600

This system supports eARC, which allows sending of higher-quality audio from your eARC compatible TV to this system.

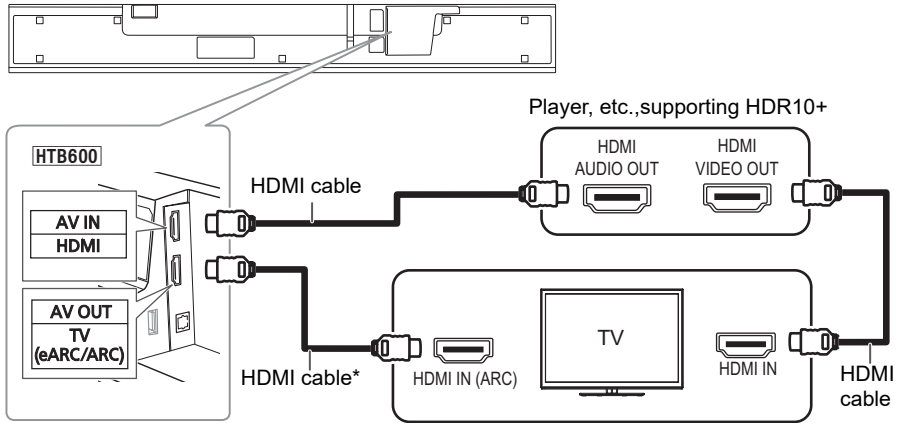
■ Connect a non-ARC compatible TV



When connecting the optical digital audio cable, observe the orientation and insert the tip correctly into the terminal.

Connection with players, etc., supporting HDR10+ HTB600

This system does not support HDR10+. When connecting to a player, TV, etc., that supports HDR10+, use the following connection.



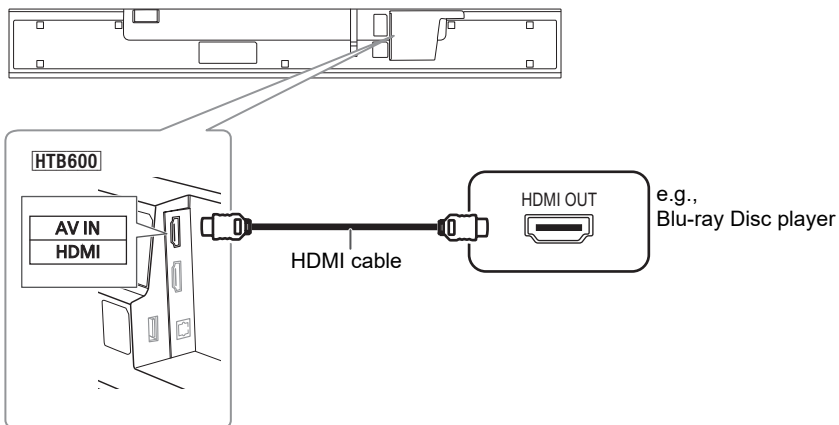
* Make sure to connect the HDMI cable to eARC/ARC compatible terminals.

Note:

- The name of the terminal may be different depending on the device that supports HDR10+. Refer to the operating instructions of the supporting device for details.
- If you connect this system and are then unable to view Netflix, use the above connection.

Connection from an HDMI compatible device HTB600

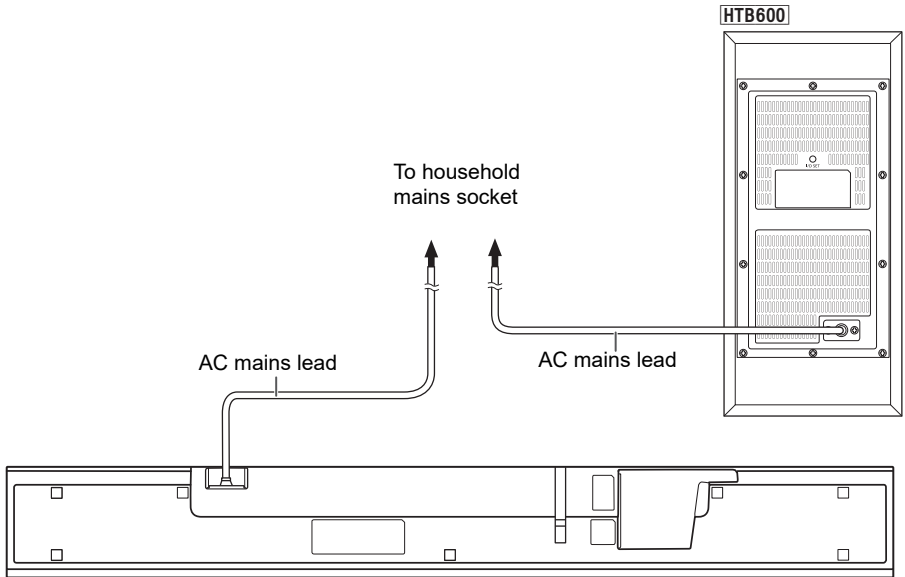
You can direct the audio signal from the connected Blu-ray Disc player, DVD player, Set Top Box, etc. to this system.



Note:

- Refer to the operating instructions of the connected HDMI compatible device for the necessary setting, to output the video and audio signals.
- This system supports HDR video formats such as HDR10, HLG, and Dolby Vision.

Connecting the AC mains lead



Conserving power

The system consumes a small amount of power when it is in standby mode. Disconnect the power supply if you do not use the system.

The main unit will automatically switch to standby mode when no signal is input and no operation is performed for approx. 20 minutes. Refer to page 19 "AUTO OFF" to switch this function off.

Note:

The active subwoofer is in the standby condition when the AC mains lead is connected. The primary circuit is always "live" as long as the AC mains lead is connected to an electrical outlet.

Placement

Safety Precautions

Professional installation is required.

The installation should never be done by any other than a qualified installation specialist. PANASONIC DISCLAIMS ANY PROPERTY DAMAGE AND/OR SERIOUS INJURY, INCLUDING DEATH RESULTING FROM IMPROPER INSTALLATION OR INCORRECT HANDLING.

- Be sure to install the main unit as indicated within this operating instructions.
- Attach using techniques suited to the structure and materials of the installation location.

Caution

- This system is to be used only as indicated in these instructions. Failure to do so may lead to damage to the amplifier and/or the speaker, and may result in the risk of fire. Consult a qualified service person if damage has occurred or if you experience a sudden change in performance.
- Do not attempt to attach the main unit to a wall using methods other than those described in this manual.

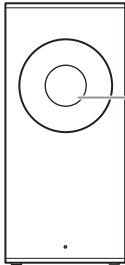
Note:

- Do not hold the main unit in one hand to avoid injury, you may drop the main unit when carrying it.
- To prevent damage or scratches, lay down a soft cloth and perform the assembly on it.
- Do not put the system in a metal cabinet.
- Keep magnetised items away. Magnetised cards, watches, etc., can be damaged if put too near to the system.

HTB600

- Place the active subwoofer within a few meters from the main unit and in a horizontal position with the top panel facing upward.
- Depending on the position of the active subwoofer, the effect may vary. Placing the active subwoofer too close to the walls and corners can result in excessive bass. Cover walls and windows with thick curtains.
You may change the position of the active subwoofer, or adjust the subwoofer level (⇒ 18) to achieve optimum effect.

When carrying the active subwoofer **HTB600**



Do not hold the active subwoofer from this opening.
The parts inside may get damaged.

Always hold the bottom of the active subwoofer when moving it.

Wireless interference

Interference may occur if you are using other devices (wireless LAN/microwave ovens/cordless phones, etc.) that use the 2.4 GHz frequency band, causing some communication problems (sound is interrupted, sound skips, there is a lot of noise, etc.).

If this happens, separate the other electronic equipment from the main unit and active subwoofer so that interference does not occur.

Placing the main unit in a rack or on a table

Additionally required accessories (commercially available)

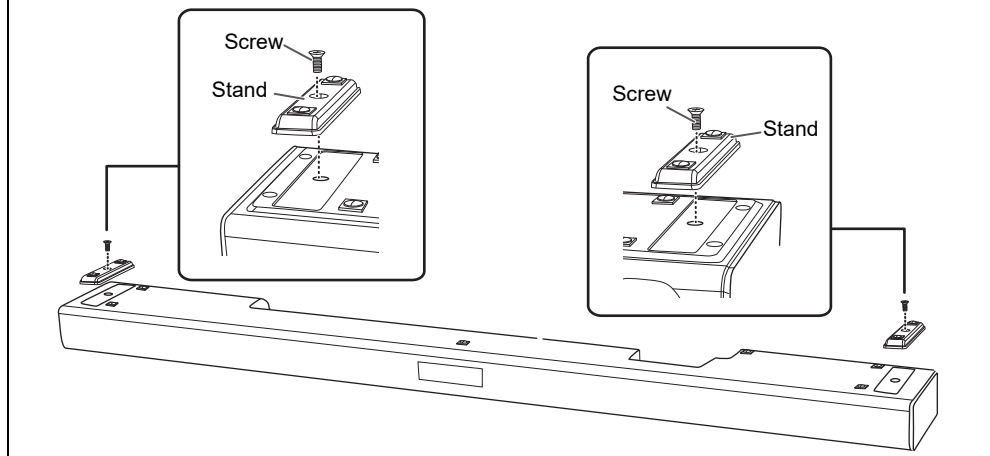
- Fall prevention cord (x2)
- Screw eyes (to attach the fall prevention cord) (x2)

Note:

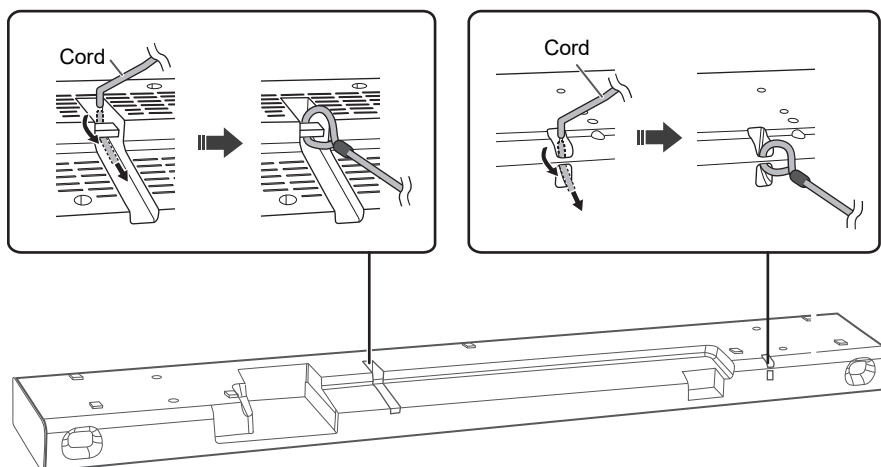
- Use commercially available screws that are capable of supporting over 30 kg.
- Use a cord that is capable of supporting over 30 kg (with a diameter of about 1.5 mm).

Attaching the stand to the main unit (Optional)

You can attach the stand (supplied) to the main unit to increase the gap on the bottom of the main unit so that you can put it on top of compatible TV stand.



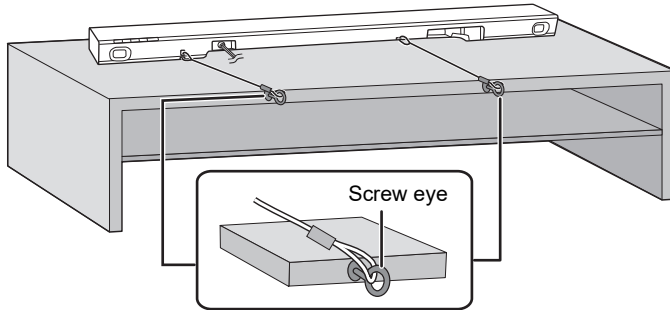
1 Attach the cord to the main unit.



If the cord cannot be threaded through the holes, try bending the cord, about 5 mm apart from the tip, at an angle of 45° (as illustrated above).

2 Place the main unit in the desired position and attach each cord onto the rack or table.

Make sure that the slack of the cord is minimal.
Do not lean the main unit against the TV or wall.



Attach the screw eye at a position capable of supporting over 30 kg.
Depending on the placement of the main unit, the screwing position of the screw eye may differ.

Attaching the main unit to a wall

WARNING:

To prevent injury, this unit must be securely attached to the wall in accordance with the installation instructions.

The main unit can be wall mounted using the supplied wall mount brackets, etc. Make sure that the screw used and the wall are strong enough to support the weight of at least 30 kg.

The screws and other items are not supplied as the type and size will vary with each installation.

- Refer to step 3 for details about the required screws.
- Be sure to attach the fall prevention cord as a secondary safety measure.

Additionally required accessories (commercially available)

- Screws for wall mounting (x2)
- Fall prevention cord (x2)
- Screw eyes (to attach the fall prevention cord) (x2)

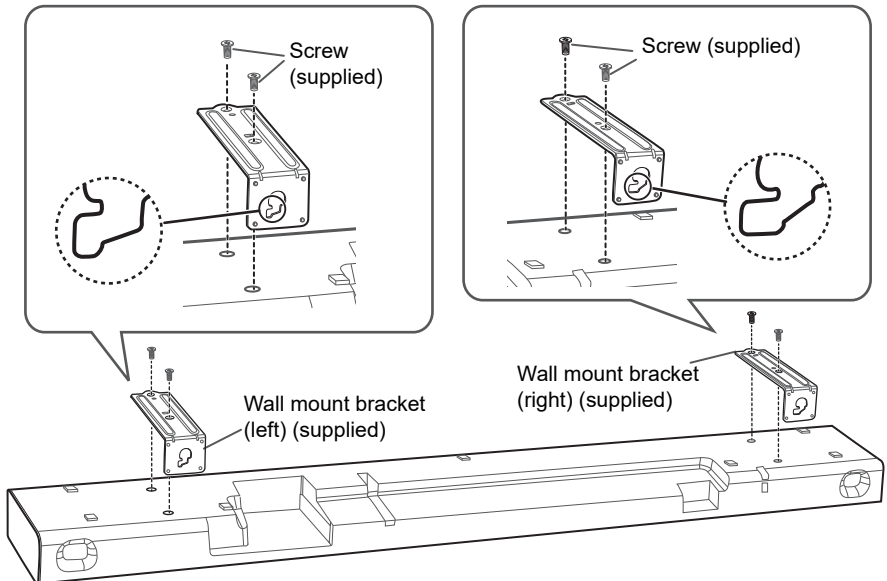
Note:

Use a cord that is capable of supporting over 30 kg (with a diameter of about 1.5 mm).

1 Attach the cord to the main unit.

Perform step 1 in "Placing the main unit in a rack or on a table". (⇒ 12)

2 Attach the wall mount brackets to the main unit.

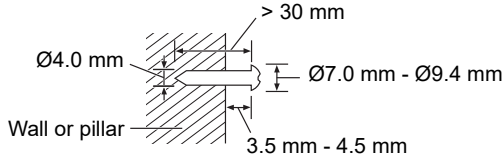


Note:

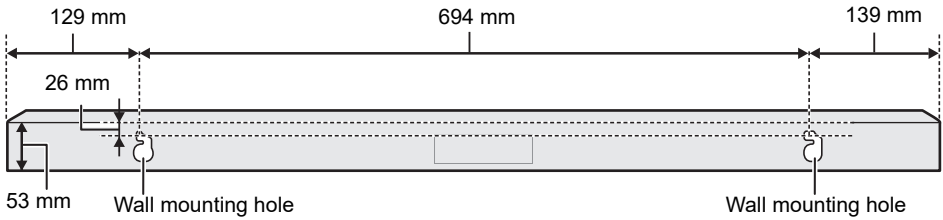
Handle the main unit with care after you have attached the wall mount brackets. To prevent damage or scratches, remove the wall mount brackets if you want to put the main unit in a rack or on a table.

3 Drive the screws into the wall.

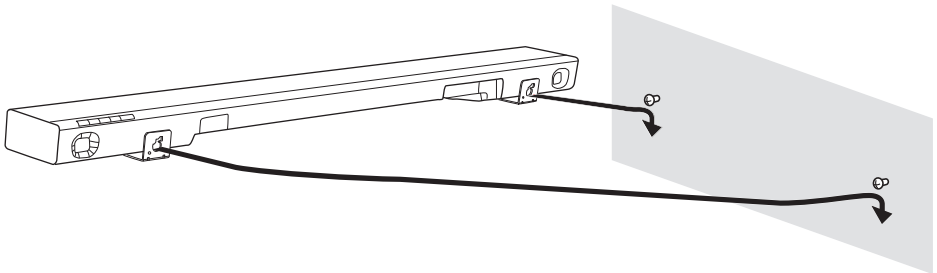
- Use the measurements indicated below to identify the screwing positions on the wall.
- Leave at least 100 mm of space above of the main unit to allow enough space for fitting the main unit.
- Be sure to use a level to ensure that both mounting holes are level to each other.





Front view (semi-transparent image)



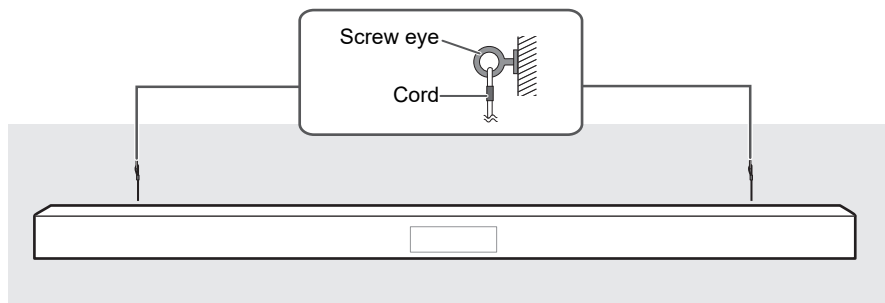
4 Fit the main unit securely onto the screws.



DO	DO NOT
 <p>Move the speaker so that the screw is in this position.</p>	 <p>In this position, the speaker will likely fall if moved to the left or right.</p>

5 Secure the cord to the wall.

Make sure that the slack of the cord is minimal.



Wireless Connections

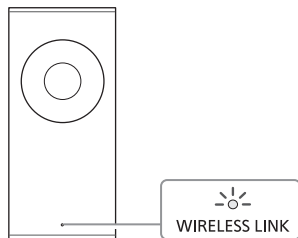
Active subwoofer wireless connection

HTB600

Preparation

Switch on the main unit.

Check that the wireless link is activated.



WIRELESS LINK indicator

On: The wireless link is activated.

Off: The wireless link is not activated.

Blinks: The active subwoofer is trying to activate the wireless link with the main unit.

Note:

- The wireless link will be activated when the main unit and the active subwoofer are both switched on.
- The I/D SET button is only used when the main unit is not paired with the active subwoofer. (⇒ 22)

Bluetooth® connection

You can connect and play an audio device wirelessly through Bluetooth®.



Preparation

- Switch on the main unit.
- Switch on the Bluetooth® feature of the device and put the device near the system.
- Read the operating instructions of the device for details.

Pairing a device

Preparation

If this system is connected to a Bluetooth® device, disconnect it (⇒ below).

- 1 Press [ -PAIRING].**
If "PAIR" is shown, continue with step 3.
- 2 Press and hold [ -PAIRING] until "PAIR" is shown.**
- 3 Select "SC-HTB400" or "SC-HTB600" from the Bluetooth® menu of the device.**
The MAC address (e.g., 6C:5A:B5:B3:1D:0F) may be shown before "SC-HTB400" or "SC-HTB600" is shown.
If prompted for a passkey, input "0000" or "1234".
The name of the connected device is shown for a few seconds.


Note:

You can pair up to 8 devices with this system. If a 9th device is paired, the device that has not been used for the longest time will be replaced.

Connecting a paired device

Preparation

If this system is connected to a Bluetooth® device, disconnect it (⇒ below).

- 1 Press [ -PAIRING].**
- 2 Select "SC-HTB400" or "SC-HTB600" from the Bluetooth® menu of the device.**

Disconnecting a device

Press and hold [ -PAIRING] until "PAIR" is shown.

Note:

- This system can only connect to one device at a time.
- When "BT" is selected as the source, this system will automatically try to connect to the last connected device.
- The Bluetooth® device will be disconnected when you select another source.

Basic control

Preparation

Switch on the TV and/or connected device.

- 1 Press **[⏻]** to switch on the system.
- 2 Press **[INPUT]** repeatedly to select the source.

HTB400

TV ↔ BT

HTB600

TV → HDMI → BT

Alternatively, press **[] -PAIRING** to select Bluetooth® device as the source.

When “BT” is selected as the source

Select this system as the output speaker from the menu of the connected device.

When “TV” or “HDMI” is selected as the source

Change the input on the TV to the one this unit is connected to, then start play on the device connected to this unit.

To adjust the volume of this system

Press **[+ VOL -]**.

Volume range: 0 to 100 (MAX)

To mute the sound

Press **[MUTE]**.

“MUTE” is shown and blinks.

To cancel, press **[MUTE]** again or adjust the volume.

Sound menu

- 1 Press **[SOUND]** repeatedly to select the sound effect and then press **[OK]**.
You can also press **[▲]** or **[▼]** repeatedly to select the setup item.
- 2 Press **[▲]** or **[▼]** repeatedly to select the desired setting and then press **[OK]**.

SOUND

Select the sound mode to suit the TV programme or connected equipment.

Sound mode	
STANDARD (default)	Best suited for dramas and comedy shows.
MUSIC	Enhance the sound of musical instruments and songs.
CINEMA	Produces three-dimensional sound unique to movies.
NEWS	Enhance the voice of news and sports commentaries.
VOICE	Enhance the clearness when listening to human voice.

SW LEVEL

Adjust the subwoofer level.

SW 1, SW 2, SW 3 (default), SW 4, SW 5

SURROUND

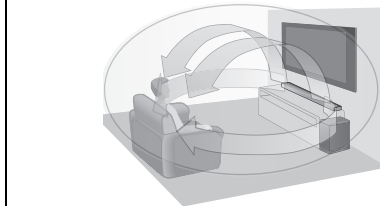
Select a surround sound effect.

HTB400 ON (default), OFF

HTB600 ON, OFF, 3D (default)

3D surround effect **HTB600**

This system not only pushes the sound field out to the left and right, but also upwardly to help realise an immersive sound effect.
e.g., impression of the 3D surround effect



Note:

The surround effect depends on the source.

BASS BOOST

Switch on and off the bass boost effect.

You can enjoy enhanced bass performance and more powerful sound.

ON (default), OFF

CLEAR DIALOG

You can switch on this effect to improve dialogue clarity when you want to emphasise people's voices, etc.

ON, OFF (default)

Note:

If the sound becomes unnatural, select "OFF".

DUAL AUDIO

Sets the preferred audio channel mode when there are two audio modes received by this system.

M1: Main (default)

M2: Secondary

M1+M2: Main + Secondary

Note:

This effect only works if the audio output of the TV or player is set to "Bitstream" and "Dual Mono" is available in the sound source.

DRC HTB600

You can listen at low volume but still hear dialogue clearly.

ON, OFF (default), AUTO

Note:

- If the sound becomes unnatural, select "OFF".
- This function works only when the source is Dolby or DTS® digital content.

DTS X DIALOG HTB600

You can change the level of dialogue clarity when you want to emphasise people's voices, etc.

LVL 0 (default), LVL 1 to LVL 6

Note:

This function works only when the source is DTS:X® content.

Audio format

You can view the current audio format.

Press and hold [SOUND] for more than 4 sec.

Note:

- The audio format is shown for about 3 seconds.
- No audio format is shown if "BT" is the source.

Setup menu

1 Press [SETUP] repeatedly to select the setup item and then press [OK].

You can also press [▲] or [▼] repeatedly to select the setup item.

2 Press [▲] or [▼] repeatedly to select the desired setting and then press [OK].

DIM

You can dim or brighten the display panel on the main unit.

BRIGHT (default), DARK, OFF DISPLAY

Note:

When set to "OFF DISPLAY", the display panel is switched off and only ":" is shown, it switches on for a few seconds when you performed an operation.

AUTO OFF

The main unit is automatically switched off if there is no audio input and when you do not use it for approximately 20 minutes.

ON (default), OFF

Note:

When only one minute remain before the auto off function switches off the system, a count down in second is shown on the display.

SW PAIR HTB600

Enable the main unit enter into pairing mode to pair with Subwoofer. (⇒ 22)

BT STANDBY HTB400

This function automatically switches on the system when you establish a Bluetooth® connection from a paired device.

ON, OFF (default)

Note:

If this function is set to "ON", the standby power consumption will increase.

STANDBY MODE HTB600

This function automatically switches on the system when you establish a Bluetooth® connection from a paired device.

This function also enables HDMI pass-through from the HDMI-compatible device (⇒ 9) in the standby mode.

ON, OFF (default)

Note:

If this function is set to "ON", the standby power consumption will increase.

FW UPDATE

Refer to “Firmware updates” (⇒ below).

VERSION

Shows the firmware version.

Note:

Press [OK] again to exit.

Firmware updates

Occasionally, Panasonic may release updated firmware for this system that may add or improve the way a feature operates. These updates are available free of charge.



DO NOT DISCONNECT the AC mains lead while updating the firmware.
During the update process, no other operations can be performed.

Preparation

Download the latest firmware from the following website and store it to a USB device to update the firmware.

<https://panasonic.jp/support/global/cs/audio/>
(This site is in English only.)

- 1 Turn off the main unit, then connect the USB device containing the latest firmware to the main unit.**

Depending on the shape of the USB device, the cables connected to other terminals may obstruct the connection. In that case, unplug the connection cables around the USB device first, then reconnect it.

- 2 Press [⏻/⏸] on the main unit to turn it on.**
- 3 Press [SETUP] repeatedly to select “FW UPDATE” and then press [OK].**
- 4 Press [▲] or [▼] repeatedly to select “YES?” and then press [OK].**

DO NOT DISCONNECT the AC mains lead while “UPG” or “□□%” is shown on the display panel.
 (“□” stands for a number.)

The system switches off automatically when the update completes and then switch on again.

Note:

- You cannot output sound from this unit while updating the firmware.
- To view the TV during update, change the settings on the TV to have the sound output from the TV’s speakers. Refer to the operating instructions of the TV for details.

HDMI CEC

This unit supports “HDMI CEC” (Consumer Electronics Control) function.

See the operating instructions for connected equipment for operational details.

Preparation

Confirm that the HDMI connection has been made.
(⇒ 8, 9)

Power on link

When the TV is switched on, the main unit also switches on automatically. (This function does not work when BT is the source.)

Power off link

When the TV is switched off, the main unit also switches off automatically. (This function does not work when BT is the source.)

Volume adjustment

You can control the volume setting of this system using the volume or mute button on the TV remote control.

If the TV’s speaker selection is changed to the TV speakers, the main unit’s speakers are muted. Muting will be cancelled by selecting the main unit’s speakers again.

Changing speakers

When the main unit switches on, this system will be selected as the TV’s speakers automatically. When you switch off the main unit, TV speakers will be automatically activated.

Note:

The operation cannot be guaranteed on all HDMI CEC equipment.

Troubleshooting

Before requesting service, make the following checks. If you are in doubt about some of the check points, or if the solutions indicated do not solve the problem, consult your dealer for instructions.

Common problems

No power

- After connecting the AC mains lead, wait about 10 seconds before switching on the main unit.
- Disconnect the AC mains lead for 10 seconds before connect again.
- After switching on the main unit, if the main unit immediately switches off, disconnect the AC mains lead and consult your dealer.
- If the main unit does not switch on when switching on TV (HDMI CEC), switch on the main unit manually.

No operations can be done with the remote control.

- Remove the insulation sheet before you use the remote control for the first time. (⇒ 7)
- Examine that the battery is installed correctly. (⇒ 7)
- The battery is weak. Replace it with a new one. (⇒ 7)
- Set the remote control code again after replacing the battery. (⇒ 23)
- Use the remote control within the correct operation range. (⇒ 5)

The system automatically switched to standby mode

- "AUTO OFF" function is on.
The system automatically switches to standby mode if there is no signal input and no operation is being performed for approximately 20 minutes. Refer to page 19 to switch off this function.

Bluetooth®

Pairing cannot be done.

- Check the Bluetooth® device condition.
- The device is out of the 10 m communication range. Move the device nearer to the system.

The device cannot be connected.

- The pairing of the device was unsuccessful. Do pairing again.
- The pairing of the device has been replaced. Do pairing again.
- This system might be connected to a different device. Disconnect the other device and try connecting the device again.
- The system may have a problem. Switch off the system and then switch on again.

The device is connected but audio cannot be heard through the system.

- For some built-in Bluetooth® devices, you have to set the audio output to "SC-HTB400" or "SC-HTB600" manually. Read the operating instructions of the device for details.

Sound from the device is interrupted.

- The device is out of the 10 m communication range. Move the device nearer to the system.
- Remove any obstacle between the system and the device.
- Other devices that use the 2.4 GHz frequency band (wireless router, microwaves, cordless phones, etc.) are interfering. Move the device nearer to the system and distance it from the other devices.

HDMI

HDMI CEC related operations no longer function properly.

- Check the setting on the connected devices.
 - Switch on HDMI CEC function on the connected devices.
 - Select this system as the speaker in the TV's HDMI CEC menu.
- When the HDMI connections are changed, after a power failure or after the AC mains lead has been removed, HDMI CEC operations may not function properly.
 - Switch on all the devices that are connected to the TV with an HDMI cable and then switch on the TV.
 - Switch off the HDMI CEC settings of the TV and switch it on again. For details refer to the operating instructions for the TV.
 - While the system and the TV are connected with an HDMI cable, switch on the TV, disconnect the AC mains lead of this system and then connect it again.

HTB600 The first few seconds of audio cannot be heard when using the HDMI connection.

- This may occur during DVD-Video chapter playback. Change the digital audio output setting on the connected device from "Bitstream" to "PCM".

HTB600 When the main unit is switched on or switched off, audio and video are temporarily disabled.

- This is normal and not a malfunction. This can occur when the connected HDMI device does not support HDMI CEC function.

Sound

No sound

- Cancel muting. (⇒ 18)
- Check the connections to the other devices. (⇒ 8, 9)
- Make sure that the received audio signal is compatible with this system.
- If the system is connected to the TV with an HDMI cable only, make sure that the HDMI terminal of the TV is labelled “HDMI (ARC)”. If not, connect an optical digital audio cable. (⇒ 8)
- Check the connections. Change the cables if the connections are correct.
- Check the audio output settings on the connected device.
- The situation may improve by changing the digital audio output setting on the connected device from “Bitstream” to “PCM”.

The dual audio cannot be changed from main to secondary.

- If the audio received from the connected device is not “Dual Mono” or the output setting is not “Bitstream”, the setting cannot be changed from this system. Change the setting on the connected device.

The sound lags behind the image.

- Depending on the TV, when this system is connected to it via Bluetooth®, the sound output from this system may lag behind the TV image. Connect this system and the TV with an HDMI cable/optical digital audio cable. (⇒ 8)

The audio format shown on the display does not correspond to the playback source.

- If the playback source is Dolby Digital or DTS®, set the audio output setting of the connected equipment (e.g., TV, player) to bitstream. For details, refer to the operating instructions for the connected equipment.

There is no audio.

The power of the main unit switches off automatically.

(When the main unit detects a problem, a safety measure is activated and the main unit automatically switches to standby mode.)

- There is a problem with the amplifier.
- Is the volume extremely high?
If so, lower the volume.
- Is this system placed in an extremely hot place?
If so, move this system to a cooler place and wait a few moments and then try to switch it on again.

If the problem persists, confirm the indicators status, switch off this system, disconnect the AC mains lead and consult your dealer. Please be sure to remember the indicators status and inform the dealer.

Active subwoofer HTB600

No power.

- Make sure the AC mains lead of the active subwoofer is connected.

After switching on the subwoofer, it immediately switches off.

- Disconnect the AC mains lead and consult your dealer.

No sound from the subwoofer.

- Check that the active subwoofer is switched on.
- Check that the WIRELESS LINK indicator switched on. (⇒ 17)

The WIRELESS LINK indicator does not switched on.

- There is no link between the main unit and the active subwoofer.
Check that the main unit is switched on.
- The active subwoofer and the main unit may not be paired correctly. Try the following operation. (Wireless pairing)

- ① Switch on the main unit.
- ② Press and hold [I/D SET] on the rear of active subwoofer for a minimum of 4 seconds.
The wireless link indicator will blink.
- ③ Select “SW PAIR” in the Setup Menu. (⇒ 19)
When the wireless pairing is successful, “DONE” is shown and WIRELESS LINK indicator lights up.
- ④ Switch off and then switch on the main unit.
Consult your dealer if the problem persists.

Display

“F61”

- There is a problem with the amplifier of the system.
- Disconnect the AC mains lead and consult the dealer.

“F70 HDMI” / “U701” / “U703”

- Check HDMI connection.
- Switch off the main unit and then switch it on again.
- Disconnect the HDMI cable.

“F703”

- Switch off the main unit and then switch it on again.
- Consult your dealer if the problem persists.

“LINK”

- This system is trying to connect to the last connected Bluetooth® device when “BT” is selected.

“REMOTE 1” / “REMOTE 2”

- The remote control and the main unit are using different codes. Change the code of the remote control. (⇒ 23)

“U702”

- There is a problem with the HDMI functionality, consult your dealer for instructions.

“U705”

- The TV's HDMI terminal connected to the main unit or the TV's setting is not compatible with the HDCP 2.2 playback source.
 - Ensure to connect to the TV's HDCP 2.2 compatible terminal.
 - Ensure the TV's HDMI HDCP setting corresponds to HDCP 2.2.

Remote control code

When other Panasonic equipment responds to the remote control of this system, change the remote control code for this system.

Preparation

- Switch off all other Panasonic products.
- Switch on this system.
- Aim the remote control at the remote control sensor of this system.

■ To set the code to code 2

Press and hold [MUTE] and [OK] on the remote control for a minimum of 4 seconds.

“REMOTE 2” is shown.

■ To set the code to code 1

Press and hold [MUTE] and [▼] on the remote control for a minimum of 4 seconds.

“REMOTE 1” is shown.

System reset

Reset the system when the following situations occur:

- There is no response when buttons are pressed.
- You want to clear and reset the memory contents.

Press and hold [⏪/1] on the main unit for a minimum of 10 seconds.

“RESET” is shown until the system restarts.

Note:

The remote control code will set back to code 1 after system reset, refer to “Remote control code” on how to change to code 2.

Unit care

Disconnect the AC mains lead before maintenance. Clean this system with a soft, dry cloth.

- When dirt is heavy, wring a cloth moistened in water tightly to wipe the dirt, and then wipe it with a dry cloth.
- When cleaning the speakers, use a fine cloth. Do not use tissues or other materials (towels, etc.) that can fall apart. Small grains may get stuck inside the speaker cover.
- Never use alcohol, paint thinner or benzine to clean this system.
- Before using chemically treated cloth, read the instructions that came with the cloth carefully.

To dispose or transfer this system

This system may keep the user settings information in the main unit. If you discard the main unit either by disposal or transfer, then follow the procedure to return all the settings to the factory presets to delete the user settings. (⇒ left)

- The operation history may be recorded in the memory of the main unit.

Specifications

General

Power supply	AC 220 V to 240 V, 50 Hz
Power consumption	
Main unit	30 W
Active subwoofer HTB600	36 W
Power consumption in standby mode (approximate)	
Main unit	
HTB400	
When "BT STANDBY" is off	0.5 W
When "BT STANDBY" is on	2.0 W
HTB600	
When "STANDBY MODE" is off	0.5 W
When "STANDBY MODE" is on	2.0 W
Active subwoofer HTB600	0.5 W

Dimensions (W x H x D)

Main unit	
For table top layout (without stand)	962 mm x 56 mm x 120 mm
For table top layout (with stand)	962 mm x 63 mm x 120 mm
For wall mounting layout	962 mm x 66 mm x 132 mm
Active subwoofer HTB600	191 mm x 413 mm x 385 mm

Mass

Main unit	
For table top layout	
HTB400	3.8 kg
HTB600	3.3 kg
For wall mounting layout	
HTB400	4.0 kg
HTB600	3.5 kg
Active subwoofer HTB600	8.4 kg

Operating temperature range 0°C to +40°C

Operating humidity range 20% to 80% RH (no condensation)

Amplifier section

HTB400

RMS output power: Dolby Digital Mode

Front ch	40 W per channel (6 Ω), 1 kHz, 10% THD
Subwoofer ch	40 W per channel (6 Ω), 100 Hz, 10% THD
Total RMS Dolby Digital mode power	160 W

HTB600

RMS output power: Dolby Digital Mode

Front ch	80 W per channel (4 Ω), 1 kHz, 10% THD
Subwoofer ch	200 W per channel (3 Ω), 100 Hz, 10% THD
Total RMS Dolby Digital mode power	360 W

Terminals section

HDMI output (ARC) **HTB400**

Terminal	Type A (19 pin) connector x 1
----------	-------------------------------

HDMI AV input **HTB600**

Terminal	Type A (19 pin) connector x 1
----------	-------------------------------

HDMI AV output (TV ARC/eARC) **HTB600**

Terminal	Type A (19 pin) connector x 1
----------	-------------------------------

Digital audio input

Optical digital input	Optical terminal x 1
-----------------------	----------------------

USB Port

For software update

Audio format section

HTB600

HDMI AV/TV eARC input LPCM (Max 7.1 ch)
Dolby Digital
Dolby TrueHD
Dolby Digital Plus
Dolby Atmos® (Dolby Digital Plus)
Dolby Atmos® (Dolby TrueHD)

DTS®
DTS-ES Discrete 6.1
DTS-ES Matrix 6.1
DTS® 96/24

DTS-HD® High Resolution Audio
DTS-HD® Master Audio
DTS-Express
DTS:X®

TV ARC input

LPCM (Max 2 ch)
Dolby Digital
Dolby Digital Plus
Dolby Atmos® (Dolby Digital Plus)
DTS®

DTS-ES Discrete 6.1
DTS-ES Matrix 6.1
DTS® 96/24

Optical digital input

LPCM (Max 2 ch)
Dolby Digital
DTS®
DTS-ES Discrete 6.1
DTS-ES Matrix 6.1
DTS® 96/24

HTB400

TV ARC input

LPCM
Dolby Digital
DTS Digital Surround

Optical digital input

LPCM
Dolby Digital
DTS Digital Surround

Speaker section

Front speakers (Built-in)

Full range 4.5 x 10 cm cone type x 2
Woofer **HTB400** 8 cm cone type x 2

Active subwoofer **HTB600**

Woofer 16 cm cone type x 1

Bluetooth® section

Version

HTB400 Bluetooth® Ver. 4.2

HTB600 Bluetooth® Ver. 5.0

Class

Class 2

Supported profiles

A2DP

Frequency band

2.4 GHz band FH-SS

Operation distance

10 m line of sight

Supported codec

SBC

Wireless section **HTB600**

Wireless module

Frequency range 2404 MHz to 2476 MHz
RF output power 8 dBm (max)

Note:

- Specifications are subject to change without notice.
- Mass and dimensions are approximate.
- Total harmonic distortion is measured by the digital spectrum analyser.

Safety information for customers in the EU

English

Declaration of Conformity (DoC)

Hereby, "Panasonic Corporation" declares that this product is in compliance with the essential requirements and other relevant provisions of Directive 2014/53/EU.

Customers can download a copy of the original DoC to our RE products from our DoC Server:

<http://www.ptc.panasonic.eu>

Contact to Authorised Representative:

Panasonic Marketing Europe GmbH, Panasonic Testing Centre, Winsbergring 15, 22525 Hamburg, Germany

Type of wireless	Frequency band	Maximum power (dBm E.I.R.P.)
Bluetooth® (Main unit)	2402 – 2480 MHz	[HTB400] 2 dBm [HTB600] 10 dBm
[HTB600] 2.4 GHz wireless system (Main unit and active subwoofer)	2404 – 2476 MHz	8 dBm

Ελληνικά

Δήλωση συμμόρφωσης (DoC)

Η "Panasonic Corporation" δηλώνει ότι το προϊόν αυτό είναι συμμόρφωμένο προς τις βασικές απαιτήσεις και άλλες σχετικές διατάξεις της Οδηγίας 2014/53/ΕΕ.

Οι πελάτες μπορούν να κατεβάσουν ένα αντίγραφο του πρωτοτύπου DoC για τα RE προϊόντα μας από τον DoC server μας:

<http://www.ptc.panasonic.eu>

Επικοινωνήστε με τον Εξουσιοδοτημένο Αντιπροσωπώ μας:

Panasonic Marketing Europe GmbH, Panasonic Testing Centre, Winsbergring 15, 22525 Hamburg, Γερμανία

Τύπο ασύρματης	Ζώνη συχνοτήτων	Μέγιστη ισχύς (dBm e.i.r.p.)
Bluetooth® (Main unit)	2402 – 2480 MHz	[HTB400] 2 dBm [HTB600] 10 dBm
[HTB600] 2.4 GHz wireless system (Main unit and active subwoofer)	2404 – 2476 MHz	8 dBm

Português

Declaração de Conformidade (DoC)

Com o presente documento, a "Panasonic Corporation" declara que este produto se encontra em conformidade com os requisitos específicos e demais especificações referentes à Diretiva 2014/53/UE.

Os clientes podem baixar uma cópia da declaração de conformidade (DoC) para nossos produtos RE do Server DoC:

<http://www.ptc.panasonic.eu>

Contacto com um Representante Autorizado:

Panasonic Marketing Europe GmbH, Panasonic Testing Centre, Winsbergring 15, 22525 Hamburg, Alemanha

Tipo de ligação sem fios	Banda de frequência	Potência máxima (dBm e.i.r.p.)
Bluetooth® (Main unit)	2402 – 2480 MHz	[HTB400] 2 dBm [HTB600] 10 dBm
[HTB600] 2.4 GHz wireless system (Main unit and active subwoofer)	2404 – 2476 MHz	8 dBm

Lietuviškai

Atitikties deklaracija (AD)

Bendrovė "Panasonic Corporation" patvirtina, kad šis gaminys atitinka direktyvos 2014/53/ES esminius reikalavimus ir kitas taikytinas nuostatas.

Mūsų RE gaminių originalios atitikties deklaracijos kopiją klientai gali atsisiųsti iš mūsų AD serverio:

<http://www.ptc.panasonic.eu>

Įgaliojoto atstovo adresas:

Panasonic Marketing Europe GmbH, Panasonic Testing Centre, Winsbergring 15, 22525 Hamburg, Vokietija

Bevielio ryšio tinklas	Dažnių diapazonas	Maksimali siuntimo galia (dBm e.i.r.p.)
Bluetooth® (Main unit)	2402 – 2480 MHz	[HTB400] 2 dBm [HTB600] 10 dBm
[HTB600] 2.4 GHz wireless system (Main unit and active subwoofer)	2404 – 2476 MHz	8 dBm

Slovensko

Izjava o skladnosti (DoC)

"Panasonic Corporation" v tem dokumentu izjavlja, da je izdelek v skladu z bistvenimi zahtevami in drugimi pomembnimi določbami Direktive 2014/53/EU.

Stranka lahko naloži izvod izvirnega DoC o naših izdelkih RE s strežnika DoC:

<http://www.ptc.panasonic.eu>

Naslov pooblaščenega predstavnika:

Panasonic Marketing Europe GmbH, Panasonic Testing Centre, Winsbergring 15, 22525 Hamburg, Nemčija

Vrsta brezžične povezave	Frekvenčni pas	Največja moč (dBm EIRP)
Bluetooth® (Main unit)	2402 – 2480 MHz	[HTB400] 2 dBm [HTB600] 10 dBm
[HTB600] 2.4 GHz wireless system (Main unit and active subwoofer)	2404 – 2476 MHz	8 dBm

Slovensky

Vyhlasenie o zhode (DoC)

"Panasonic Corporation" týmto vyhlasuje, že tento výrobok je v súlade so základnými požiadavkami a ďalšími príslušnými ustanoveniami smernice 2014/53/EÚ.

Zákazníci si môžu stiahnuť kópiu pôvodného DoC na naše RE výrobky z nášho servera DoC:

<http://www.ptc.panasonic.eu>

Kontakt na splnomocneného zástupcu:

Panasonic Marketing Europe GmbH, Panasonic Testing Centre, Winsbergring 15, 22525 Hamburg, Nemecko

Typ bezdrôtového pripojenia	Frekvenčné pásmo	Maximálny výkon (dBm e.i.r.p.)
Bluetooth® (Main unit)	2402 – 2480 MHz	[HTB400] 2 dBm [HTB600] 10 dBm
[HTB600] 2.4 GHz wireless system (Main unit and active subwoofer)	2404 – 2476 MHz	8 dBm

Norsk Samsvarserklæring (DoC)

"Panasonic Corporation" erklærer herved at dette produktet samsvarer med de grunnleggende kravene og andre relevante bestemmelser i direktivet 2014/53/EU.

Kundene kan laste ned en kopi av den originale samsvarserklæringen (DoC) for vårt RE utstyr fra vår DoC server:

<http://www.ptc.panasonic.eu>

Kontaktinformasjon autorisert representant:

Panasonic Marketing Europe GmbH, Panasonic Testing Centre, Winsbergring 15, 22525 Hamburg, Tyskland

Type trådløs	Frekvensbånd	Maks. effekt (dBm e.i.r.p.)
Bluetooth® (Main unit)	2402 – 2480 MHz	[HTB400] 2 dBm [HTB600] 10 dBm
[HTB600] 2.4 GHz wireless system (Main unit and active subwoofer)	2404 – 2476 MHz	8 dBm

Latviski Atbilstības deklarācija (DoC)

Ar šo "Panasonic Corporation" paziņo, ka šis izstrādājums atbilst pamatprasībām un pārējiem Direktīvas 2014/53/ES noteikumiem.

Pircēji var lejupielādēt oriģinālo DoC kopiju mūsu RE izstrādājumos no mūsu DoC servera:

<http://www.ptc.panasonic.eu>

Lūdzam sazināties ar pilnvaroto parstāvi:

Panasonic Marketing Europe GmbH, Panasonic Testing Centre, Winsbergring 15, 22525 Hamburg, Vācijā

Bezvadu tips	Frekvenču joslā	Maksimālā jauda (dBm EIRP)
Bluetooth® (Main unit)	2402 – 2480 MHz	[HTB400] 2 dBm [HTB600] 10 dBm
[HTB600] 2.4 GHz wireless system (Main unit and active subwoofer)	2404 – 2476 MHz	8 dBm

Eesti keel Vastavusdeklaratsioon (DoC)

Käesolevaga kinnitab "Panasonic Corporation", et see toode vastab direktiivi 2014/53/EU olulistele nõuetele ja teistele asjakohastele sätetele.

Kliendid saavad koopia meie RE toodetele kehtiva originaalvastavusdeklaratsiooni koopia alla laadida meie DoC-serverist:

<http://www.ptc.panasonic.eu>

Võtke ühendust volitatud esindajaga:

Panasonic Marketing Europe GmbH, Panasonic Testing Centre, Winsbergring 15, 22525 Hamburg, Saksamaa

Juhtmevaba seadme tüüp	Sagedusriba	Maksimaalne võimsus (dBm EIRP)
Bluetooth® (Main unit)	2402 – 2480 MHz	[HTB400] 2 dBm [HTB600] 10 dBm
[HTB600] 2.4 GHz wireless system (Main unit and active subwoofer)	2404 – 2476 MHz	8 dBm

Български Декларация за съответствие (DoC)

С настоящото "Panasonic Corporation" декларира, че този продукт е в съответствие с основните изисквания и други съответни разпоредби на Директива 2014/53/ЕС.

Потребителите могат да свалят копие от оригиналните DoC към нашите продуктите от типа RE от сървъра, на който се съхраняват DoC:

<http://www.ptc.panasonic.eu>

Свържете се с нашия упълномощен представител:

Panasonic Marketing Europe GmbH, Panasonic Testing Centre, Winsbergring 15, 22525 Hamburg, Германия

Вид безжична връзка	Честотна лента	Максимална мощност (dBm e.i.r.p.)
Bluetooth® (Main unit)	2402 – 2480 MHz	[HTB400] 2 dBm [HTB600] 10 dBm
[HTB600] 2.4 GHz wireless system (Main unit and active subwoofer)	2404 – 2476 MHz	8 dBm

Român Declarație de Conformitate (DoC)

"Panasonic Corporation" declară prin prezenta că acest produs este conform cu cerințele esențiale și alte prevederi relevante ale Directivei 2014/53/UE.

Clienții pot descărca o copie a DoC-ului original al produselor noastre RE de la adresa noastră DoC din Internet:

<http://www.ptc.panasonic.eu>

Contactați Reprezentantul Autorizat:

Panasonic Marketing Europe GmbH, Panasonic Testing Centre, Winsbergring 15, 22525 Hamburg, Germania

Tip de wireless	Interval de frecvență	Putere maximă (dBm e.i.r.p.)
Bluetooth® (Main unit)	2402 – 2480 MHz	[HTB400] 2 dBm [HTB600] 10 dBm
[HTB600] 2.4 GHz wireless system (Main unit and active subwoofer)	2404 – 2476 MHz	8 dBm

Magyar Megfelelőségi Nyilatkozat (DoC)

Ezennel a, "Panasonic Corporation" kijelenti, hogy a jelen termék kielégíti az 2014/53/EU Irányelv létfonosságú követelményeit és más vonatkozó rendelkezéseit.

A vásárlók letölthetik az RE termékek eredeti DoC másolatát a DoC szerverünkről:

<http://www.ptc.panasonic.eu>

A hivatalos képviselő elérhetősége:

Panasonic Marketing Europe GmbH, Panasonic Testing Centre, Winsbergring 15, 22525 Hamburg, Németország

Wireless típus	Frekvenciasáv	Maximális teljesítmény (dBm e.i.r.p.)
Bluetooth® (Main unit)	2402 – 2480 MHz	[HTB400] 2 dBm [HTB600] 10 dBm
[HTB600] 2.4 GHz wireless system (Main unit and active subwoofer)	2404 – 2476 MHz	8 dBm

Hrvatski

Deklaracija o podobnosti (DoC)

Ovime „Panasonic Corporation“ izjavljuje da ovaj proizvod udovoljava osnovnim zahtjevima i ostalim relevantnim odredbama Direktive 2014/53/EU.

Kupci mogu preuzeti kopiju originalne DoC za naše RE proizvode s našeg DoC poslužitelja:
<http://www.ptc.panasonic.eu>
Adresa ovlaštenog predstavništva:
Panasonic Marketing Europe GmbH, Panasonic Testing Centre, Winsbergring 15, 22525 Hamburg, Njemačka

Vrsta bežične mreže	Frekvencijski pojas	Maksimalna snaga (dBm e.i.r.p.)
Bluetooth® (Main unit)	2402 – 2480 MHz	[HTB400] 2 dBm [HTB600] 10 dBm
[HTB600] 2.4 GHz wireless system (Main unit and active subwoofer)	2404 – 2476 MHz	8 dBm

Türkçe

Uygunluk Beyanı (DoC)

“Panasonic Corporation” bu belge ile bu ürünün 2014/53/EU Direkti'nin temel gerekliliklerine ve diğer ilgili hükümlerine uygun olduğunu beyan eder.

Müşterilerimiz RE ürünlerimizle ilgili orijinal DoC belgesinin bir kopyasını DoC sunucumuzdan indirebilir:
<http://www.ptc.panasonic.eu>

Yetkili Temsilci ile temasa geçin:

Panasonic Marketing Europe GmbH, Panasonic Testing Centre, Winsbergring 15, 22525 Hamburg, Almanya

Kablosuz türü	Frekans bandı	Maksimum güç (dBm e.i.r.p.)
Bluetooth® (Main unit)	2402 – 2480 MHz	[HTB400] 2 dBm [HTB600] 10 dBm
[HTB600] 2.4 GHz wireless system (Main unit and active subwoofer)	2404 – 2476 MHz	8 dBm

Disposal of Old Equipment and Batteries Only for European Union and countries with recycling systems



These symbols on the products, packaging, and/or accompanying documents mean that used electrical and electronic products and batteries must not be mixed with general household waste.

For proper treatment, recovery and recycling of old products and used batteries, please take them to applicable collection points in accordance with your national legislation.

By disposing of them correctly, you will help to save valuable resources and prevent any potential negative effects on human health and the environment. For more information about collection and recycling, please contact your local municipality.

Penalties may be applicable for incorrect disposal of this waste, in accordance with national legislation.



Note for the battery symbol (bottom symbol):

This symbol might be used in combination with a chemical symbol. In this case it complies with the requirement set by the Directive for the chemical involved.

References

About Bluetooth®

Panasonic bears no responsibility for data and/or information that is compromised during a wireless transmission.

Frequency band

- This system uses the 2.4 GHz frequency band.

Certification

- This system conforms to the frequency restrictions and has received certification based on frequency laws. Thus, a wireless permit is not necessary.
- The actions below are punishable by law in some countries:
 - Taking apart or modifying the unit.
 - Removing specification indications.

Restrictions of use

- Wireless transmission and/or usage with all Bluetooth® equipped devices is not guaranteed.
- All devices must conform to standards set by the Bluetooth SIG, Inc.
- Depending on the specifications and settings of a device, it can fail to connect or some operations can be different.
- This system supports Bluetooth® security features. But depending on the operating environment and/or settings, this security is possibly not sufficient. Transmit data wirelessly to this system with caution.
- This system cannot transmit data to a Bluetooth® device.

Range of use

- Use this device at a maximum range of 10 m.
- The range can decrease depending on the environment, obstacles or interference.

Interference from other devices

- This system may not function properly and troubles such as noise and sound jumps may arise due to radio wave interference if this unit is located too close to other Bluetooth® devices or the devices that use the 2.4 GHz band.
- This system may not function properly if radio waves from a nearby broadcasting station, etc. is too strong.

Intended usage

- This system is for normal, general use only.
- Do not use this system near an equipment or in an environment that is sensitive to radio frequency interference (example: airports, hospitals, laboratories, etc.).

Licenses

The terms HDMI and HDMI High-Definition Multimedia Interface, and the HDMI Logo are trademarks or registered trademarks of HDMI Licensing Administrator, Inc.

The Bluetooth® word mark and logos are registered trademarks owned by Bluetooth SIG, Inc. and any use of such marks by Panasonic Corporation is under license. Other trademarks and trade names are those of their respective owners.

HTB400

Manufactured under license from Dolby Laboratories.

Dolby, Dolby Audio, and the double-D symbol are trademarks of Dolby Laboratories.

For DTS patents, see <http://patents.dts.com>.
Manufactured under license from DTS, Inc. DTS, the Symbol, DTS and the Symbol together, and Digital Surround are registered trademarks or trademarks of DTS, Inc. in the United States and/or other countries.
© DTS, Inc. All Rights Reserved.

HTB600

Manufactured under license from Dolby Laboratories.

Dolby, Dolby Vision, Dolby Atmos, Dolby Audio, and the double-D symbol are trademarks of Dolby Laboratories.

For DTS patents, see <http://patents.dts.com>.
Manufactured under license from DTS, Inc. DTS, the Symbol, DTS and the Symbol together, DTS:X, the DTS:X logo, Virtual:X, and the DTS Virtual:X logo are registered trademarks or trademarks of DTS, Inc. in the United States and/or other countries.
© DTS, Inc. All Rights Reserved.

Panasonic Warranty

1. Subject to the conditions of this warranty Panasonic or its Authorised Service Centre will perform necessary service on the product, without charge for parts or labour, if in the opinion of Panasonic the product is found to have a manufacturing defect within one (1) year or (12 months) (the "warranty period") from the date of purchase appearing on your purchase receipt.
2. This warranty only applies to Panasonic products purchased in Australia and sold by Panasonic Australia, its Authorised Distributors, or Dealers, and only where the products are used and serviced within Australia or its territories. Warranty cover only applies to the services that are carried out by a Panasonic Authorised Service Centre and only if valid proof of purchase is presented when the warranty service is requested.
3. This warranty only applies if the product has been installed and/or used in accordance with the manufacturer's recommendations (as noted in the operating instructions) under normal use and reasonable care (in the opinion of Panasonic). The warranty does not cover damage, malfunction or failure resulting from use of incorrect voltages, incorrect installation, accident, misuse, neglect, build-up of dirt or dust, abuse, maladjustment of customer controls, mains supply problems, thunderstorm activity, infestation by insects or vermin, tampering or repair by unauthorised persons (including unauthorised alterations), exposure to abnormally corrosive conditions, or any foreign object or matter having entered the product.
4. This warranty does not cover the following items unless the fault or defect existed at the time of purchase:
 - (a) Consumable parts
 - (b) Cosmetic parts
 - (c) Worn or damaged parts
 - (d) Information stored on Hard Disk Drives, Optical Discs, USB Devices, SD Cards, Tapes
 - (e) DTV reception issues caused by TV Aerial / Cabling / Wall socket(s)
5. Some products may be supplied with Ethernet connection hardware. The warranty is limited on such products and will not cover:
 - (a) Internet and or DLNA connection / setup related problems
 - (b) Access fees and or charges incurred for internet connection
 - (c) Incompatible software or software not specifically stipulated in the product operations manual; and
 - (d) Any indirect or consequential costs associated with the incorrect use or misuse of the hardware, its connection to the internet or any other device.
6. To claim warranty service, when required, you should:
 - Contact Panasonic's Customer Care Centre on 132 600 for Service Centre information.
 - Confirm the opening and acceptance times with the Authorised Service Centre that you choose.
 - Then send or take the product to a Panasonic Authorised Service Centre together with your proof of purchase receipt.
 - Any freight and insurance costs associated with the transport of the product to and/or from your nearest Authorised Service Centre must be arranged and paid for by you.
7. The warranties hereby conferred do not extend to, and exclude, any costs associated with the installation, de-installation or re-installation of a product, including costs related to the mounting, de-mounting or remounting of any screen, (and any other ancillary activities), delivery, handling, freighting, transportation or insurance of the product or any part thereof or replacement of and do not extend to, and exclude, any damage or loss occurring by reason of, during, associated with, or related to such installation, de-installation, re-installation or transit.

Panasonic Authorised Service Centres are located in major metropolitan areas and most regional centres of Australia, however, coverage will vary dependant on product. For advice on exact Authorised Service Centre locations for your product, please telephone our Customer Care Centre on 132 600 or visit our website and use the Service Centre Locator.

In addition to your rights under this warranty, Panasonic products come with consumer guarantees that cannot be excluded under the Australian Consumer Law. If there is a major failure with the product, you can reject the product and elect to have a refund or to have the product replaced or if you wish you may elect to keep the goods and be compensated for the drop in value of the goods. You are also entitled to have the product repaired or replaced if the product fails to be of acceptable quality and the failure does not amount to a major failure.

If there is a major failure in regard to the product which cannot be remedied then you must notify us within a reasonable period by contacting the Panasonic Customer Care Centre. If the failure in the product is not a major failure then Panasonic may choose to repair or replace the product and will do so in a reasonable period of time from receiving notice from you.

**THIS WARRANTY CARD AND THE PURCHASE DOCKET (OR SIMILAR PROOF OF PURCHASE)
SHOULD BE RETAINED BY THE CUSTOMER AT ALL TIMES**

If you require assistance regarding warranty conditions or any other enquiries, please visit the **Panasonic Australia** website www.panasonic.com.au or contact by phone on **132 600**
If phoning in, please ensure you have your operating instructions available.

Panasonic Australia Pty, Limited

ACN 001 592 187 ABN 83 001 592 187
1 Innovation Road, Macquarie Park NSW 2113
www.panasonic.com.au

ADVARSEL!

Produkt

- For å redusere faren for brann, elektrisk støt eller skade på apparatet:
 - Dette apparatet må ikke utsettes for regn, fuktighet, drypp eller sprut.
 - Ikke plasser objekter som er fylt med væske, som vaser, på apparatet.
 - Bruk anbefalt tilbehør.
 - Fjern ikke deksler.
 - Dette apparatet må ikke repareres på egen hånd. Overlat servicearbeider til kvalifisert servicepersonell.

FORSIKTIG!

Produkt

- For å redusere faren for brann, elektrisk støt eller skade på apparatet:
 - Ikke plasser apparatet i en bokhylle, et innebygget kabinett eller et annet lukket sted. Pass på at apparatet er godt ventilert.
 - Apparatets ventilasjonsåpninger må ikke dekkes til med aviser, duker, gardiner eller lignende.
 - Plasser ikke åpen ild, slik som levende lys, oppå apparatet.
- Dette apparatet er beregnet til bruk under moderate klimaforhold.

Vekselstrømnett

- Støpselet er frakoblende enhet. Strømuttaket må befinne seg i nærheten slik at støpselet lett kan kobles ut fra uttaket umiddelbart.

HTB400



HTB600



Manufactured by:

Panasonic Corporation
Kadoma, Osaka, Japan

Authorized Representative in
Europe:

Panasonic Marketing Europe GmbH
Panasonic Testing Centre
Winsbergring 15, 22525 Hamburg, Germany

Panasonic Corporation

Web Site: <http://www.panasonic.com>

© Panasonic Corporation 2020



YOM100760-0005

En

TQBJ2216-1

L1219CH4050