



Weather Station · Wetterstation ·

WI-FI Colour Weather Station + 5in1 Multisensor

EN Instruction manual

DE Bedienungsanleitung

DE Besuchen Sie unsere Website über den folgenden QR Code oder Weblink um weitere Informationen zu diesem Produkt oder die verfügbaren Übersetzungen dieser Anleitung zu finden.

EN Visit our website via the following QR Code or web link to find further information on this product or the available translations of these instructions.

FR Si vous souhaitez obtenir plus d'informations concernant ce produit ou rechercher ce mode d'emploi en d'autres langues, rendez-vous sur notre site Internet en utilisant le code QR ou le lien correspondant.

NL Bezoek onze internetpagina via de volgende QR-code of weblink, voor meer informatie over dit product of de beschikbare vertalingen van deze gebruiksaanwijzing.

ES ¿Desearía recibir unas instrucciones de uso completas sobre este producto en un idioma determinado? Entonces visite nuestra página web utilizando el siguiente enlace (código QR) para ver las versiones disponibles.

IT Desidera ricevere informazioni esaustive su questo prodotto in una lingua specifica? Venga a visitare il nostro sito Web al seguente link (codice QR Code) per conoscere le versioni disponibili.



www.bresser.de/P7002580 www.bresser.de/P7002581 www.bresser.de/P7902580 www.bresser.de/P7902581 www.bresser.de/P7802580



GARANTIE · WARRANTY · GARANTÍA · GARANZIA



www.bresser.de/warranty_terms

RECYCLAGE (TRIMAN/FRANCE)



APP DOWNLOAD:



Weather Underground is a registered trademark of The Weather Channel, LLC. in the United States and around the world. The Weather Underground logo is a registered trademark of Weather Underground, LLC. To learn more about Weather Underground, visit www.wunderground.com

Apple and the Apple logo are trademarks of Apple Inc., registered in the U.S. and other countries. App Store is a service mark of Apple Inc., registered in the U.S. and other countries.

Google Play and the Google Play logo are trademarks of Google Inc.

Fig. 1



Product	Art.No.:
Base station + wireless 5-in-1 Sensor (A, B, C, D)	7002580 (black), 7002581 (white)
Only Base station (A, B)	7902580 (black), 7902581 (white)
Only Wireless 5-in-1 Sensor (C)	7802580

English	4
Deutsch	25

Table of contents

1 Imprint (German)	6
2 Validity note	6
3 Features	6
4 About this Instruction Manual.....	7
5 General safety instructions	7
6 Parts overview Base station.....	9
7 Parts overview Multisensor	10
8 Scope of delivery.....	10
9 Screen display	11
10 Before commissioning.....	11
11 The first steps	12
12 Setting up power supply.....	12
13 Attaching rubber linings.....	12
14 Assembling and installing the multifunctional remote sensor.....	13
15 Signal transmission	13
16 Create a user account for Weather Underground (optional).....	13
17 Create user account for weathercloud (optional)	14
18 Configuration / Setting up a WI-FI connection	14
19 Advanced settings	15
20 Automatic time setting.....	16
21 Manual time setting	17
22 Time zone setting	17
23 Manual measurement display	17
24 Clima indication (indoor)	17
25 Moon phases	18
26 Weather trend	18
27 Trend arrow indicators	19
28 Barometric / Atmospheric Pressure	19
29 Wind speed and wind direction	20
30 Beaufort scale.....	20
31 Wind chill factor	21
32 Feels like temperature	21
33 Heat index	21
34 Dew point	22

35 Viewing Live weather data with Weather Underground	22
36 Retrieve Weathercloud weather data	22
37 Cleaning and maintenance	22
38 Disposal	23
39 Technical data	23
40 Warranty	24
41 EC declaration of conformity	24
42 UKCA declaration of conformity	24

1 Imprint (German)

Bresser GmbH
Gutenbergstr. 2
46414 Rhede
Germany
www.bresser.de

For any warranty claims or service inquiries, please refer to the information on "Warranty" and "Service" in this documentation. We ask for your understanding that unsolicited returns cannot be processed.

Errors and technical changes excepted.

© 2022 Bresser GmbH

All rights reserved.

The reproduction of this documentation - even in extracts - in any form (e.g. photocopy, print, etc.) as well as the use and distribution by means of electronic systems (e.g. image file, website, etc.) without the prior written permission of the manufacturer is prohibited.

The designations and brand names of the respective companies used in this documentation are generally protected by trade, trademark and/or patent law in Germany, the European Union and/or other countries.

2 Validity note

This documentation is valid for the products with the following article numbers:

7002580 7002581 7902580 7902581 7802580

Manual version: 0123

Manual designation:

Manual_7002580-7002581-7902580-7902581-7802580_WIFI-Colour-Weather-Station_ende_BRESSER_v012023a

Always provide information when requesting service.

3 Features

- Measurement of Rainfall
- Measurement of wind speed
- Measurement of wind direction
- Radio-controlled clock with DCF signal reception and display
- Alarm with snooze function
- Outdoor temperature alarm (frost warning)
- Outdoor temperature (in °C or °F)
- Indoor temperature (in °C or °F)
- Humidity indoor/outdoor
- Atmospheric pressure
- SINCE function to display the total rainfall from a customized point in time.
- Highest and lowest value display
- Maximum/Minimum value memory
- Colour display
- Backlight

4 About this Instruction Manual



NOTICE

These operating instructions are to be considered a component of the device.

Read the safety instructions and the instruction manual carefully before using this device.

Keep these instruction manual in a safe place for future reference. If the device is sold or passed on, the instruction manual must be passed on to any subsequent owner/user of the product.

5 General safety instructions



DANGER

Risk of an electric shock!

This device contains electronic parts that are powered by a power source (AC adapter and/or batteries). Improper use of this product may result in electric shock. Electric shock can cause serious or fatal injuries. It is therefore imperative that you observe the following safety information.

- Never leave children unattended when handling the device! Follow the instructions carefully and do not attempt to power this device with anything other than power sources recommended in this instruction manual, otherwise there is a danger of an electric shock!
 - Disconnect the power supply by pulling the mains plug when the appliance is not in use, in case of a longer interruption of operation and before any maintenance and cleaning work.
 - Place your device so that it can be disconnected from the power supply at any time. The power outlet should always be near your appliance and should be easily accessible, as the plug of the power cord serves as a disconnect device from the mains supply.
 - To disconnect the unit from the mains, always pull the mains plug and never pull the cable!
 - Check this device, cables and connections for damage before use.
 - Never attempt to operate a damaged device, or a device with damaged electrical parts! Damaged parts must be replaced immediately by an authorized service agent.
 - Operate the device only in a completely dry environment and do not touch the device with wet or damp body parts.
-



DANGER

Danger of suffocation!

Improper use of this product may result in suffocation, especially for children. It is therefore imperative that you observe the following safety information.

- Keep packaging materials (plastic bags, rubber bands, etc.) away from children! There is a danger of choking!
 - This product contains small parts that can be swallowed by children! Choking hazard!
-



DANGER

Explosion hazard!

Improper use of this product may result in fire. It is essential that you observe the following safety information in order to avoid fires.

-
- Do not expose the device to high temperatures. Use only the supplied AC adapter or the recommended batteries. Do not short-circuit the device or batteries or dispose of in fire! Excessive heat and improper handling can cause short circuits, fires and even explosions!



NOTICE

Danger of material damage!

Improper handling may result in damage to the unit and/or accessories. Therefore, use the device only in accordance with the following safety information.

-
- Do not disassemble the device! In the event of a defect, please contact your dealer. They will contact the Service Center and can arrange the return of this device for repair if necessary.
 - Do not expose the device to high temperatures and protect it from water and high humidity.
 - Do not immerse the unit in water!
 - Do not subject the device to excessive vibrations.
 - Only use accessories and spare parts for this device that comply with the technical specifications.
 - Use only the recommended batteries. Always replace weak or empty batteries with a new, complete set of batteries at full capacity. Do not use batteries from different brands or types or with different capacities. Remove batteries from the device if it is not to be used for a longer period of time!
 - Do not use rechargeable batteries (accumulators).



NOTICE

Danger of voltage damage!

The manufacturer accepts no liability for voltage damage as a result of incorrectly inserted batteries, or the use of an unsuitable mains adapter!

6 Parts overview Base station

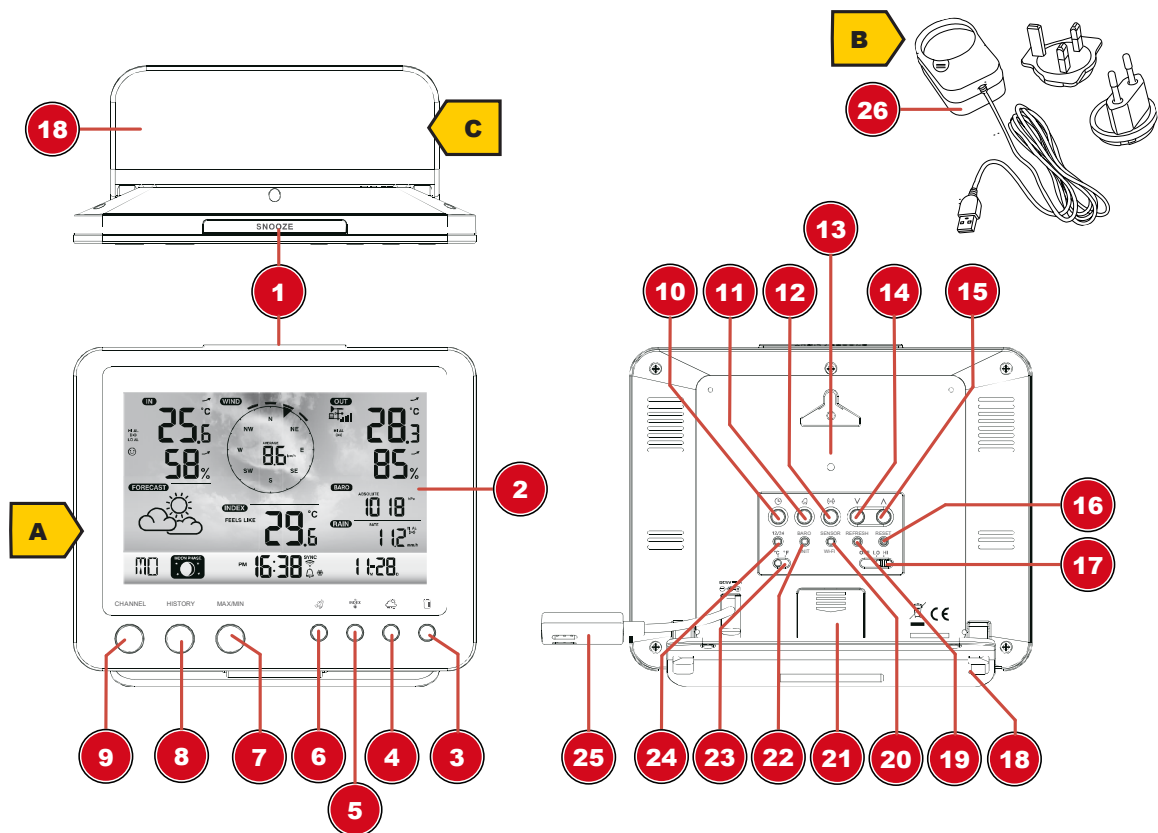


Illustration 1: All parts of the base station

1 SNOOZE button (snooze function)	2 Colour display
3 RAIN button (display of various precipitation values)	4 BARO button (display of different atmospheric pressure values)
5 INDEX button (display change between 'feels like' temperature, dew point, heat index and wind chill index)	6 WIND button (display change between average and current gust)
7 MAX/MIN button (switch between highest, lowest or current value display)	8 HISTORY button (retrieve measurements for the past 24 hours)
9 CHANNEL button (channel selection)	10 CLOCK button (manual time setting)
11 ALARM button (Alarm setting)	12 ALERT button (e.g. set temperature alarm)
13 Wall mount	14 DOWN button (Value setting downwards)
15 UP button (Value setting upwards)	16 RESET button (reset all settings)
17 HI/LO/OFF slide control (setting or turning off backlight)	18 Stand, removable
19 REFRESH button (refreshing data manually)	20 SENSOR / WI-FI button (start manual sensor search or activate / deactivate WI-FI)
21 Battery compartment (cover)	22 BARO UNIT button (change of atmospheric pressure measurement unit)
23 °C/°F button (display change between °C or °F)	24 12/24 button (display change between 12 and 24 hours mode)
25 Power supply socket	26 Power adapter

7 Parts overview Multisensor

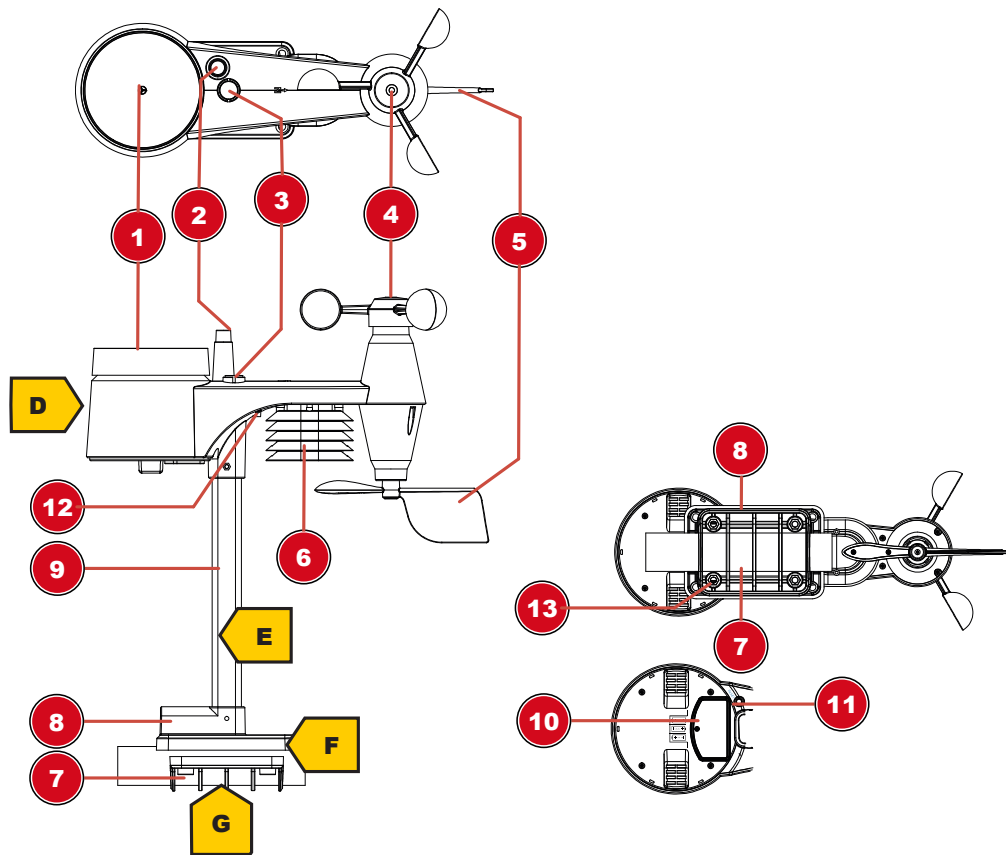


Illustration 2: All parts of the multisensor

1 Rain gauge	2 Antenna
3 Circular level	4 Wind cups (wind speed)
5 wind vane (wind direction)	6 Thermo-Hygrometer
7 Pipe clamp	8 Mounting shoe
9 Mounting bar	10 Battery compartment (cover)
11 RESET button	12 LED function indicator
13 Mounting screws with nuts	

8 Scope of delivery

Base station (A), power adapter (B), stand (C), multifunctional outdoor sensor (D), mounting rod (E), mounting shoe (F), pipe clamp (G), screws, instruction manual

Also required (not included in delivery):

3 x 1.5V batteries type AA/LR6 (outdoor sensor)

Backup battery (not included in delivery):

1 pc. CR2032 type battery (base unit)

9 Screen display

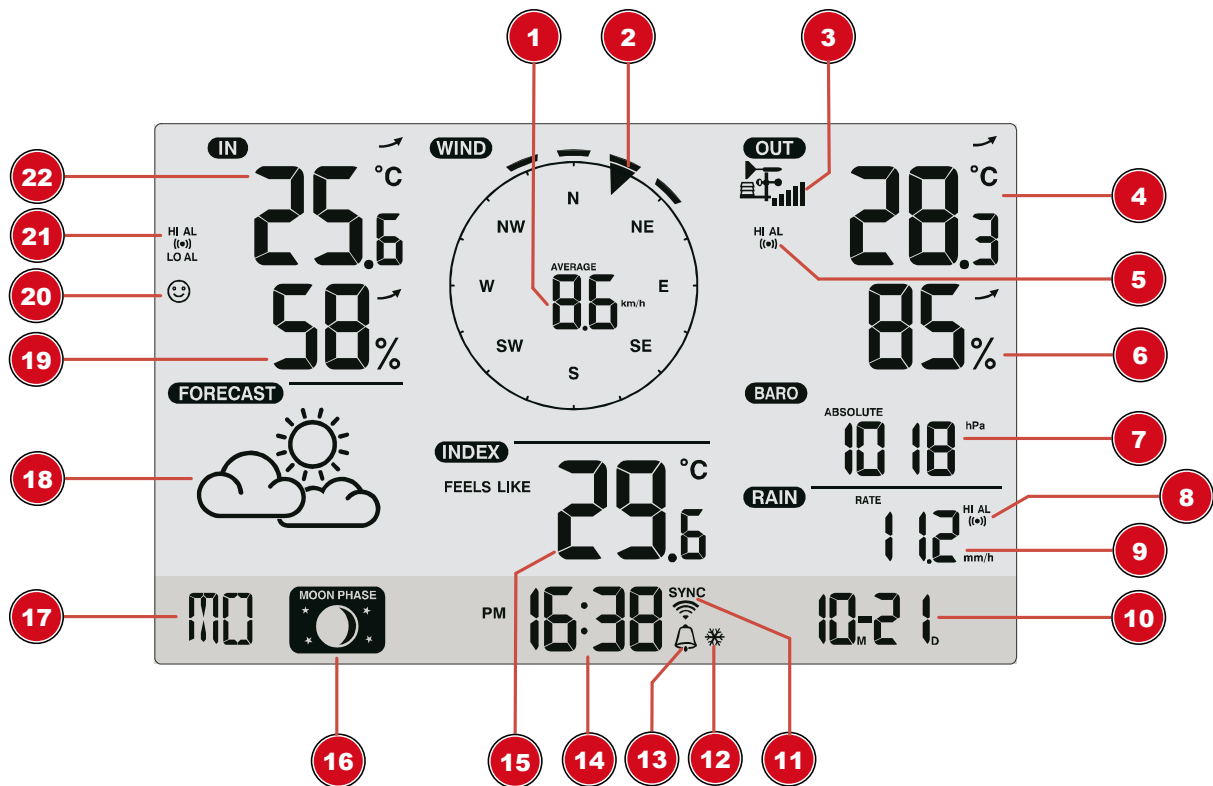


Illustration 3: Screen display

1 Wind speed	2 Wind direction
3 Strength of receiving signal (outdoor sensor)	4 Outdoor temperature
5 Temperature alarm outdoors enabled	6 Humidity outdoors
7 Atmospheric pressure	8 Precipitation alarm enabled
9 Precipitation quantity	10 Date
11 Wi-Fi synchronisation	12 Frost warning enabled
13 Alarm enabled	14 Current time
15 'Feels like' temperature	16 Moon phase
17 Weekday	18 Graphical weather trend display
19 Humidity indoors	20 Comfort indicator (Clima)
21 Temperature alarm indoors enabled	22 Indoor temperature

10 Before commissioning



NOTICE

Avoid connection faults!

In order to avoid connection problems between the devices, the following points must be observed during commissioning.

1. Place the base unit (receiver) and sensor (transmitter) as close together as possible.

2. Connect the power supply to the base unit and wait until the indoor temperature is displayed.
3. Establish power supply for the sensor.
4. Set up/operate the base unit and sensor within the effective transmission range.
5. Make sure that the base unit and the radio sensor are set to the same channel.

When changing the batteries, always remove the batteries from both the base unit and the sensor and reinsert them in the correct order so that the radio link can be re-established. If one of the two devices is operated via a mains power connection, the power connection must also be briefly disconnected for this device when the batteries are changed. If, for example, only the batteries in the sensor are replaced, the signal may subsequently not be received at all or not be received correctly.

Note that the actual range depends on the respective construction materials used for the buildings as well as the respective position of the base unit and the outdoor sensor. External influences (various radio transmitters and other sources of interference) can greatly reduce the possible range. In such cases, we recommend finding other locations for both the base unit and the outdoor sensor. Sometimes moving the sensor by just a few centimeters is enough!

11 The first steps

Follow the bullet points in order, to ensure a successful setup.

1. Setting up power supply (base station and wireless sensor)
2. Mount the wireless sensor
3. The base station is now in AP mode (LED flashes green) and ready for initial setup.
4. Create an account with a weather service provider compatible with your station, e.g. wunderground.com or weathercloud.net and add the station to your account ("My Profile" / "Add Weather station") or ("Devices" / "+ New"). Make a note of the station ID and password, as they will be needed in the next step.
5. Setting up the base station (Establish WIFI / Router connection)
6. Viewing weather data via web, mobile or tablet

12 Setting up power supply

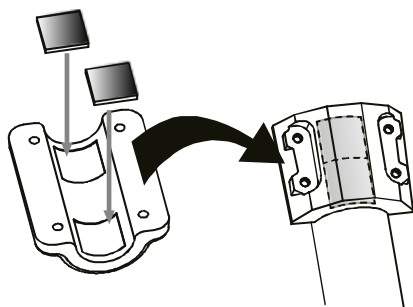
Base station

1. Insert the DC connector into the connection socket of the base station.
2. Insert the mains plug into the power outlet.
3. The device is energized directly.

Remote sensor

4. Loosen the screw at the battery compartment cover with a small Philips screwdriver and remove the cover.
5. Insert the batteries into the battery compartment. Ensure that the battery polarity (+/-) is correct.
6. Replace the cover and retighten it with the screw.

13 Attaching rubber linings



Attach the supplied self-adhesive rubber pads to the clamps as shown to ensure a firmer fitting of the mounting rod.

14 Assembling and installing the multifunctional remote sensor

Depending on the desired location, the remote sensor can be installed in two different ways.

NOTICE! During the assembly make sure that the upper part of the wind vane is minimum 1.5 meters off the ground. Use the circular level in the sensor head to ensure a level installation. The windmill must point to the North.

Assembly on a vertical or horizontal wooden element

1. Slide one end of the assembly bar into the aperture below the sensor head.
2. Slide one screw through the bore hole and put on the nut on the opposite site. Tighten the screw connection by hand.
3. Depending on the desired orientation, slide the opposite end of the assembly bar into the aperture for vertical or horizontal mounting of the assembly base.
4. Slide another screw through the bore hole of the assembly base and put on the nut on the opposite site. Tighten the screw connection by hand.
5. Place the assembly base with its bottom site first on a wooden element. Use 4 wood screws to tighten it.

Assembly on a vertical or horizontal tube

6. Repeat steps 1 to 4 as before.
7. Place the assembly base with its bottom site first on the tube. Push the tube bracket against the tube from the opposite site.
8. Slide 4 screws through the bore holes of the assembly base and through the bore holes of the tube bracket on the other site.
9. Put on the 4 nuts and tighten the screw connection by hand.

15 Signal transmission

The base station automatically connects to the multi outdoor sensor and (if available) to other wireless sensors. You can also press the WIFI / SENSOR button to search directly for the sensors. If the connection is successful, the outdoor symbol (OUT) and/or the channel will appear on the display.

Connection status display:

Connection status	Display indication
Good signal	Receiver symbol
Sensor is searched for	Receiver symbol flashes
No signal for 48 hours	Er' (Error) is displayed
Sensor battery low, good signal	Battery symbol is displayed

16 Create a user account for Weather Underground (optional)

1. Enter the following web address for the 'Weather Underground' service in the address bar of your web browser: <https://www.wunderground.com>

-
2. Click on 'Join' to get to the registration page.
 3. Enter your personal user data and click on 'Sign up'.
 4. Follow the further setup steps.
 5. Under the menu item 'Sensor Network' > 'Connect a Weather Station' your own weather station can be added.
 6. A 'Station ID' and a 'Station Key/Password' are automatically generated by the service, which are needed for the following configuration of the weather station.

NOTICE! Use a valid e-mail address for registration. Otherwise the service can not be used.

17 Create user account for weathercloud (optional)

1. Enter the following web address in the address bar of the web browser: <https://weathercloud.net>
2. Under 'Join us today' enter the personal user data and click on 'Sign up'.
3. After successful registration and verification of the e-mail address, select the menu item "Devices" under the user account.
4. Click the '+New' link under 'Devices' and enter the device and location data in the 'Create New Device' window to create a new device. Select the appropriate weather station under 'Model'. For 'Link type' select the option 'Pro Weather Link'.
5. A 'weathercloud ID' and a 'key' which are needed for the following configuration of the weather station are automatically generated by the service. These can be reached via the account at weathercloud.net under Devices > Settings > Link.

NOTICE! Use a valid e-mail address for registration. Otherwise the service can not be used.

18 Configuration / Setting up a WI-FI connection

1. If the base station has not yet been connected to a router, it will switch to AP (Access Point Mode) mode after the first power supply. The display will show 'AP' and the symbol for WI-FI synchronization.
2. Use a smartphone, tablet or computer to connect to Wi-Fi.

NOTICE! The respective device itself must also be equipped with a WI-FI function.

3. In the system settings of the device, switch to W-LAN or WI-FI settings and select the wireless network (SSID) named 'PWS-XXXXXX'.
4. After successful connection via the address bar of the web browser, enter the IP address 'http: //192.168.1.1' to establish a connection to the settings menu of the weather station.

NOTICE! Always prepend 'http: //' to the IP address to avoid browser dependent connection errors. Recommended browsers: the latest version of Chrome, Safari, Edge, Firefox or Opera.

5. Make the following settings in the settings menu:

SETUP page

*Leave field blank if registration is not yet available and entries are to be made later.
 **Manual setup requires additional router information (including e.g. IP address, SSID, etc)

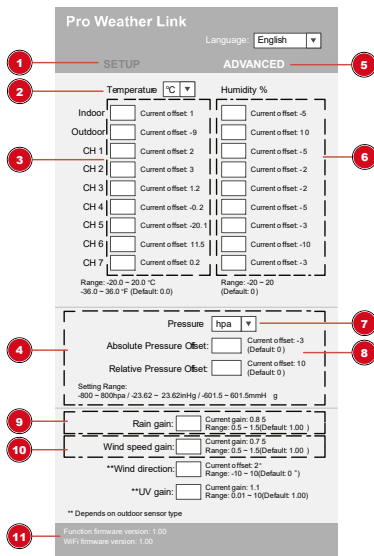
- After completing the settings, the device will recognize the default WI-FI connection after each re-start.
- In Access Point Mode, the WI-FI / SENSOR button can be pressed for 6 seconds to restore the previous settings.

WI-FI connection status:

WI-FI symbol is shown in the display	WI-FI symbol flashes in the display	AP symbol flashes in the display
Connection to the WI-FI router successful	Connection to the WI-FI router not stable or ongoing connection	Access Point Mode enabled

19 Advanced settings

Press the "ADVANCED" key at the top of web interface to enter the advance setting page, this page allow you to set and view the calibration data of the console, also you can update the firmware in here (Only available in PC platform).



1 Select 'SETUP' to enter the settings menu	2 Select temperature unit
3 Temperature calibration indoor/outdoor and channel 1-7	4 Pressure calibration section
5 Select 'ADVANCED' to enter the advanced settings menu	6 Humidity calibration
7 Select pressure unit	8 Enter an offset value to compensate for the measured pressure value
9 Rain calibration	10 Wind calibration
11 Latest firmware	

CALIBRATION

1. User may enter or change the offset and gain values for different measurement parameters while current offset and gain values are shown next to their corresponding boxes.
2. Once completed, press [Apply] in the SETUP page.

The current offset value will show the previous value that you entered, if you want to change, just input the new value in the blank, the new value will valid once you press [Apply] icon in SETUP page.

NOTE:

Calibration of most parameter is not required, with the exception of Relative Pressure, which must be calibrated to sea-level to account for altitude effects.

20 Automatic time setting

After the power supply and the Wi-Fi connection are established, the time and date information is automatically transmitted by the Internet time server.

If the time/date information is received correctly, the date and time are set automatically and the reception symbol is displayed.

If the time/date information was not received or not received correctly, proceed as follows:

1. In countries/regions whose time zone differs from the coordinated world time UTC, the time zone must be set manually (see chapter 'Setting the time zone') in order to display the correct time.
2. Press the REFRESH button on the base unit for about 2 seconds to re-initiate the retrieval of Internet time information.
3. Check the W-LAN settings on the base unit for correctness and correct them if necessary so that an Internet connection can be established (see chapter 'Establishing a W-LAN connection').

21 Manual time setting

1. Press and hold CLOCK SET button for approx. 3 seconds to change to time setting mode.
2. Digits to be set are flashing.
3. Press UP or DOWN button to change the value.
4. Press CLOCK SET button to confirm and continue to the next setting.
5. Settings order: time offset > daylight saving time on/off > hours > minutes > 12/24 hours mode > year > month > day > day/month display change > time synchronization on/off > language

NOTICE! When time is set manually, the time synchronization must be deactivated.

6. Finally press the CLOCK SET button to save the settings and exit the setting mode.

NOTICE! In normal display mode, press CLOCK SET button to switch between year display and date display. In setting mode, press CLOCK SET button for about 2 seconds to return to the normal display mode.

22 Time zone setting

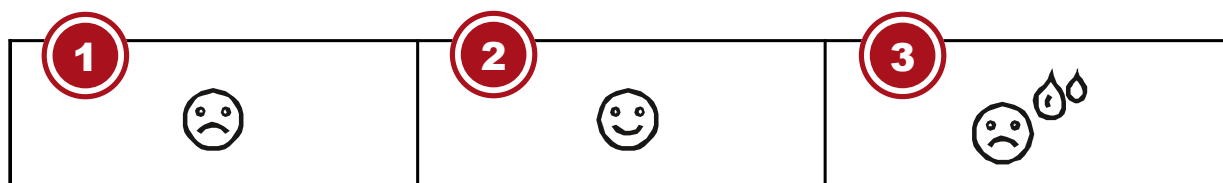
To set a different time zone, proceed as follows:

1. Press and hold CLOCK SET button for approx. 3 seconds to change to time setting mode. The current value for the time offset flashes.
2. Press up or DOWN button to set the desired hour value (0 to 10 hours) for the time offset.
3. Finally press the CLOCK SET button for approx. 3 seconds to save the settings and exit the setting mode.

23 Manual measurement display

1. Press MAX/MIN button several times to display the stored values one after another.
2. Display order: Current values > MAX (highest values) > MIN (lowest values)
3. When displaying highest or lowest values, press and hold MAX/MIN button for approx. 3 seconds to delete all saved values.

24 Clima indication (indoor)



1 too cold
3 too warm

2 comfortable

The clima indication is a pictorial indication based on indoor air temperature and humidity in an attempt to determine comfort level.

Note:

- Comfort indication can vary under the same temperature, depending on the humidity.
- There is no comfort indication when temperature is below 0° C (32° F) or over 60° C (140° F)

25 Moon phases

In the Northern hemisphere, the moon waxes from the right. Hence the sun-lit area of the moon moves from right to left in the Northern hemisphere, while in the Southern hemisphere, it moves from left to right. Below are the 2 tables which illustrate how the moon will appear on the main unit.

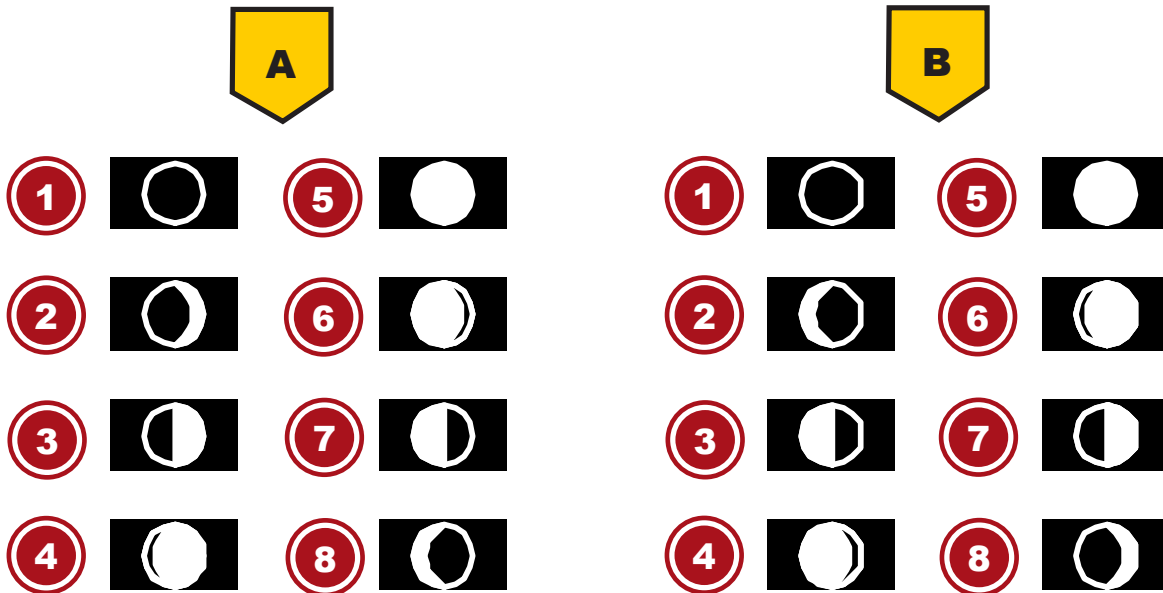


Illustration 4: (A) Northern hemisphere, (B) Southern hemisphere

1 New moon	2 Waxing crescent
3 First quarter	4 Waxing gibbous
5 Full moon	6 Waning gibbous
7 Third quarter	8 Waning crescent

26 Weather trend

A weather trend for the next 12-24 hours is calculated from the measured values and displayed graphically as follows:

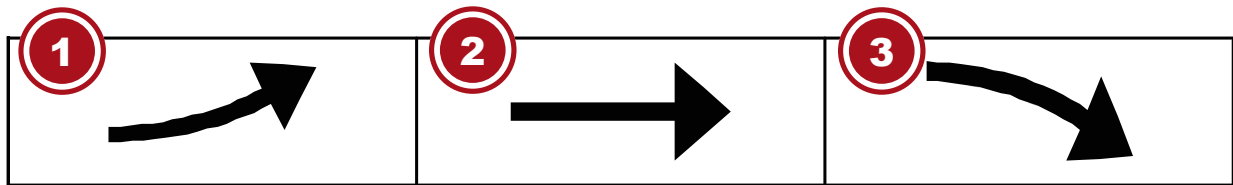


1 Sunny	2 Partly Cloudy
3 Cloudy	4 Rainy
5 Rain/ stormy	6 Snowy

Note:

- The accuracy of a pressure-based weather forecast is about 70% to 75%.
- The weather forecast is meant for the next 12 hours, it may not necessarily reflect the current situation.
- The snow weather forecast is not based on air pressure, but on the outdoor temperature. When the outdoor temperature is below -3°C (26°F), the snow symbol is shown on the LCD display.

27 Trend arrow indicators



1 Rising
3 Falling

2 Steady

The temperature and humidity trend indicator shows the trends of changes in the forthcoming few minutes. Arrows indicate a rising, steady or falling trend.

28 Barometric / Atmospheric Pressure

Atmospheric pressure (hereinafter referred to as "air pressure") is the pressure at any place on earth caused by the weight of the layer of air above it. Air pressure is proportional to average pressure and decreases gradually with altitude. Meteorologists use barometers to measure air pressure. Because the weather is highly dependent on changes in air pressure, it is possible to make a weather forecast from the measured changes in air pressure.

To display the barometric pressure in a different unit of measurement

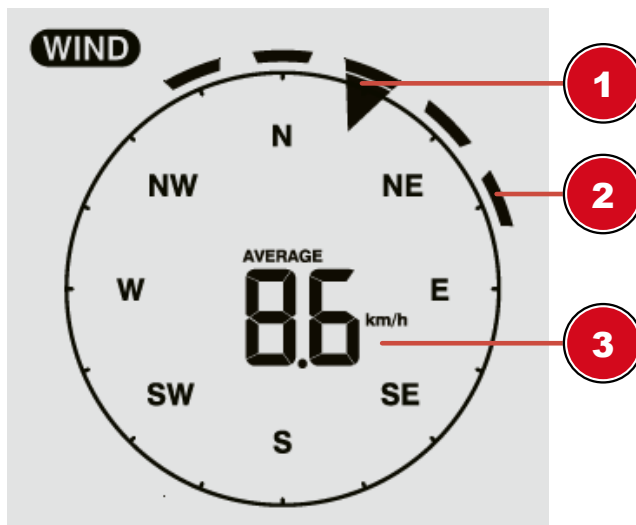
In normal display mode, press the BARO button to change the unit in this order: (hPa, inHg or mmHg).

Change the mode from (ABS) Absolute Air Pressure to (REL) Relative Air Pressure

In normal display mode, press the BARO button to toggle between absolute air pressure and relative air pressure.

- **NOTICE!**
- **NOTICE! ABS: Absolute air pressure at your current location**
- **NOTICE! REL: Relative air pressure based on sea level (N.N.)**
- **NOTICE! The default relative air pressure value is 1013 mbar/hPa (29.91 inHg), which is relative to the average air pressure value.**
- **NOTICE! If the value for the relative air pressure is changed, the weather displays also change as a result.**
- **NOTICE! The built-in barometer registers changes in absolute air pressure caused by the environment. Based on the collected data, a forecast for the weather conditions in the next 12 hours can be made. The weather indicators change according to the determined absolute air pressure after only one hour of operation.**
- **NOTICE! The relative air pressure is based on sea level, but it also changes with changes in absolute air pressure after one hour of operation.**

29 Wind speed and wind direction



1 Wind direction display in real time	2 Past wind direction display of the last 5 minutes
3 Average/gust wind speed or Beaufort Scale	4

Set unit of wind speed and display format of wind direction

1. Press the WIND button for approx. 3 seconds to enter the settings mode.
2. Press UP or DOWN button to select m/s (meters per hour), km/h (kilometers per hour), knots or mph (miles per hour).
3. Press WIND button to confirm and exit the setting.

SELECTING THE WIND DISPLAY MODE

In normal mode, press the WIND button to switch between AVERAGE and GUST.

AVERAGE: average of all wind speed numbers recorded in the previous 30 seconds

GUST: highest wind speed (gust) recorded from last reading

30 Beaufort scale

The Beaufort scale is an international scale of wind velocities from 0 (calm) to 12 (Hurricane force).

Beaufort number	Description	Speed
0	calm	< 1 km/h < 1 mph < 1 knots < 0.3 m/s
1	light air	1.1-5.5 km/h 1-3 mph 1-3 knots 0.3-1.5 m/s
2	light breeze	5.6-11 km/h 4-7 mph 1-3 knots 0.3-1.5 m/s
3	gentle breeze	12-19 km/h 8-12 mph 7-10 knots 3.5-5.4 m/s
4	moderate breeze	20-28 km/h 13-17 mph

		11-16 knots 5.5-7.9 m/s
5	fresh breeze	29-38 km/h 18-24 mph
		17-21 knots 8.0-10.7 m/s
6	strong gale	39-49 km/h 25-30 mph
		22-27 knots 10.8-13.8 m/s
7	high wind	50-61 km/h 31-38 mph
		28-33 knots 13.9-17.1 m/s
8	gale	62-74 km/h 39-46 mph
		34-40 knots 17.2-20.7 m/s
9	strong gale	75-88 km/h 47-54 mph
		41-47 knots 20.8-24.4 m/s
10	storm	89-102 km/h 55-63 mph
		48-55 knots 24.5-28.4 m/s
11	violent storm	103-117 km/h 64-73 mph
		56-63 knots 28.5-32.6 m/s
12	hurricane force	> 118 > 74 mph
		> 64 knots 32.7 m/s

31 Wind chill factor

Press the INDEX button several times until WIND CHILL is displayed.

Note:

The wind chill factor is based on the common effects of temperature and wind speed. The displayed wind chill is calculated solely from temperature and wind speed and is measured by the outdoor sensor.

32 Feels like temperature

Press the INDEX button repeatedly until FEELS LIKE appears on the display.

Note:

The feels like temperature indicates the temperature value according to the personal temperature perception.

33 Heat index

Press the INDEX button several times until HEAT INDEX is displayed.

Heat index	Warning	Meaning
> 55° C (> 130° F)	Extreme danger	Strong risk of dehydration / sun stroke
41° C – 54° C (106° F – 129° F)	Danger	Heat exhaustion likely
33° C – 40° C (91° F – 105° F)	Extreme caution	Possibility of dehydration
27° C – 32° C (80° F – 90° F)	Caution	Possibility of heat exhaustion

Notice:

The perceived temperature is based on the common effects of temperature and humidity. Heat index is only calculated when room temperature is at 27° (80° F) or higher. The displayed perceived temperature is calculated solely from temperature and humidity and is measured by the outdoor sensor.

34 Dew point

Press the INDEX button several times until DEW POINT is displayed.

Note:

The dew point is the temperature below which the water vapor in air at constant barometric pressure condenses into liquid water at the same rate at which it evaporates. The condensed water is called dew when it forms on a solid surface. The dewpoint temperature is calculated from the indoor temperature and humidity measured at the main unit.

35 Viewing Live weather data with Weather Underground

1. To view the live data of your multisensor in a web browser, please visit wunderground.com and enter your "Station ID" in the search field in the menu bar.
2. You can download the Weather Underground Smartphone App to view the live weather data of your weather station via Android or iOS devices (for more information, please visit: <https://www.wunderground.com/download>)

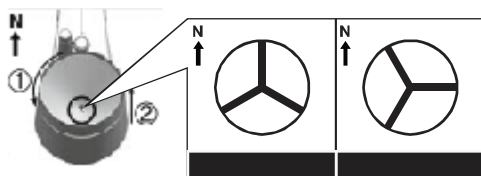
36 Retrieve Weathercloud weather data

1. To view the live data from your multi-sensor in a web browser, please visit weathercloud.net and log in to your own account.
2. Click on the "View" icon within the "Settings" pop-up menu of your station.

37 Cleaning and maintenance

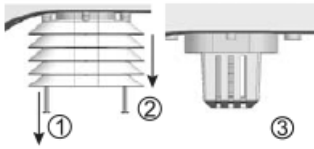
- Before cleaning the device, disconnect it from the power supply (remove plug or remove batteries)!
- Only clean the device externally using a dry cloth. Do not use cleaning solution to prevent damage to the electronic parts.

Cleaning the rain collector (sinkhole)



1. Rotate the rain collector by 30° anticlockwise.
2. Gently remove the rain collector
3. Clean and remove any debris or insects.
4. Install all parts when they are fully clean and dried.

Cleaning the thermo/hygro sensor



5. Unscrew the 2 screws at the bottom of the radiation shield.
6. Gently pull out the shield.
7. Remove carefully any dirt or insects inside the sensor casing.

Note

The radiation shield comprises different parts inserted one inside another. Two bottom parts are closed. Do not change their order! Do not let the sensors inside get wet!

- Clean the shield with water and remove any dirt or insects.
- Install all the parts back when they are fully clean and dried.

38 Disposal



Dispose of the packaging materials according to its type. Information on proper disposal can be obtained from the municipal waste disposal service provider or environmental agency.



Do not dispose of electronic devices in the household garbage!

According to the European Directive 2012/19/EU on Waste Electrical and Electronic Equipment and its transposition into national law, used electrical equipment must be collected separately and recycled in an environmentally sound manner.



Batteries and rechargeable batteries must not be disposed of with household waste. You are legally obliged to return used batteries and accumulators and can return them after use either at our sales outlet or in the immediate vicinity (e.g. in the trade or in municipal collection points) free of charge.

Batteries and accumulators are marked with a crossed-out dustbin and the chemical symbol of the pollutant, "Cd" stands for cadmium, "Hg" stands for mercury and "Pb" stands for lead.



Cd¹



Hg²



Pb³

39 Technical data

Base unit

Power supply:	DC 5V 1A power plug Type: HX075-0501000-AX
Temperature measuring range	-5°C to 50°C
Maximum number of sensors	up to 7 (optionally available)
Dimensions	79 x 157 x 41 mm (W x H x D)
Weight	130 g

Multisensor

Batteries	3x AA, 1.5V
RF transmission frequency	868Mhz

RF Transmission range	150 m
Maximum radio-frequency power	< 25mW
Temperature measuring range	-40°C to 60°C (-40°F to 140°F)
Barometer measuring range	540 to 1100hPa (relative range: 930 to 1050hPa)
Humidity measuring range	1% to 99%
Humidity resolution	1% HR
Precipitation measuring range	0 to 19999 mm (0 to 787.3 inch)
Wind speed measuring range	0 to 112 mph, 50 m/s, 180km/h, 97 knots
Dimensions	392.2 x 326 x 144.5 mm (W x H x D)
Weight	1096g

SPECIFICATIONS


Wi-Fi standard	802.11 b/g/n
Wi-fi operating frequency :	2.4 GHz
Supported devices	Smart device with built-in Wi-Fi AP mode (Access Point) function, PC or notebook, Android or iOS smartphone/tablet
Supported internet browsers	Internet browser that support HTML 5

40 Warranty


The regular warranty period is 2 years and starts on the day of purchase. To benefit from an extended voluntary warranty period as indicated on the gift box, registration on our website is required.

You can consult the full guarantee terms as well as information on extending the guarantee period and details of our services at www.bresser.de/warranty_terms.

41 EC declaration of conformity

 Bresser GmbH hereby declares that the radio equipment type with item number 7002580 7002581 7902580 7902581 7802580 is in compliance with Directive 2014/53/EU. The full text of the EC Declaration of Conformity is available at the following web address: http://www.bresser.de/download/7002580/CE/7002580_7002581_7902580_7902581_7802580_CE.pdf

42 UKCA declaration of conformity

 A "Declaration of Conformity" in accordance with the applicable directives and relevant standards has been issued by Bresser GmbH. The full text of the UKCA Declaration of Conformity is available at the following web address: http://www.bresser.de/download/7002580/UKCA/7002580_7002581_7902580_7902581_7802580_UKCA.pdf

Bresser UK Ltd. • Suite 3G, Eden House, Enterprise Way, Edenbridge, Kent TN8 6HF, Great Britain

Inhaltsverzeichnis

1	Impressum	27
2	Gültigkeitshinweis.....	27
3	Eigenschaften.....	27
4	Zu dieser Anleitung.....	28
5	Allgemeine Sicherheitshinweise.....	28
6	Teileübersicht Basisstation.....	30
7	Teileübersicht Multisensor	31
8	Lieferumfang.....	31
9	Displayanzeigen	32
10	Vor der Inbetriebnahme	32
11	Die ersten Schritte.....	33
12	Stromversorgung herstellen	33
13	Gummibeläge anbringen	34
14	Multifunktions-Funksensor montieren und anbringen	34
15	Signalübertragung	34
16	Benutzerkonto für Weather Underground einrichten (optional).....	35
17	Benutzerkonto für weathercloud einrichten (optional).....	35
18	Konfiguration / W-LAN-Verbindung herstellen.....	35
19	Erweiterte Einstellungen	36
20	Automatische Zeiteinstellung	37
21	Manuelle Zeiteinstellung.....	38
22	Zeitzone einstellen	38
23	Manuelle Messwertanzeige	38
24	Klimaindikator (innen)	38
25	Mondphasen	39
26	Wettertrend	39
27	Trendpfeile.....	40
28	Barometrischer / Atmosphärischer Luftdruck.....	40
29	Windgeschwindigkeit und -richtung	41
30	Beaufort-Skala	42
31	Windkühlfaktor	42
32	Gefühlte Temperatur.....	42
33	Hitzeindex	43
34	Taupunkt	43

35 Weather Underground Live Wetterdaten abrufen	43
36 Weathercloud Wetterdaten abrufen.....	43
37 Reinigung und Wartung.....	43
38 Entsorgung	44
39 Technische Daten.....	45
40 Garantie.....	45
41 EG-Konformitätserklärung	46

1 Impressum

Bresser GmbH
Gutenbergstr. 2
46414 Rhede
Germany
www.bresser.de

Für etwaige Gewährleistungsansprüche oder Serviceanfragen verweisen wir auf die Informationen zu „Garantie“ und „Service“ in dieser Dokumentation. Wir bitten um Verständnis, dass unaufgeforderte Rücksendungen nicht bearbeitet werden können.

Irrtümer und technische Änderungen vorbehalten.

© 2022 Bresser GmbH

Alle Rechte vorbehalten.

Die Reproduktion dieser Dokumentation – auch auszugsweise – in irgendeiner Form (z.B. Fotokopie, Druck, etc.) sowie die Verwendung und Verbreitung mittels elektronischer Systeme (z.B. Bilddatei, Website, etc.) ohne eine vorherige schriftliche Genehmigung des Herstellers ist nicht gestattet.

Die in dieser Dokumentation verwendeten Bezeichnungen und Markennamen der jeweiligen Firmen sind im Allgemeinen in Deutschland, der Europäischen Union und/oder weiteren Ländern waren-, marken- und/oder patentrechtlich geschützt.

2 Gültigkeitshinweis

Diese Dokumentation ist gültig für die Produkte mit den nachfolgend aufgeführten Artikelnummern:
7002580 7002581 7902580 7902581 7802580

Anleitungsversion: 0123

Bezeichnung dieser Anleitung:

Manual_7002580-7002581-7902580-7902581-7802580_WIFI-Colour-Weather-Station_en-de_BRES-SER_v012023a

Informationen bei Serviceanfragen stets angeben.

3 Eigenschaften

- Messung der Niederschlagsmenge
- Messung der Windgeschwindigkeit
- Messung der Windrichtung
- DCF Funkuhr Empfang und Anzeige
- Weckruf mit Schlummerfunktion (Snooze)
- Außentemperaturalarm (Frostwarnung)
- Außentemperatur (in °C oder °F)
- Innentemperatur (in °C oder °F)
- Luftfeuchtigkeit innen/außen
- Luftdruck
- SINCE-Funktion zur Anzeige des gesamten Niederschlags ab einem bestimmten Zeitpunkt??
- Tiefst- und Höchstwertanzeige
- Max-/Min-Werte Speicherung
- Farbdisplay
- Hintergrundbeleuchtung

4 Zu dieser Anleitung



HINWEIS

Diese Bedienungsanleitung ist als Teil des Gerätes zu betrachten!

Lesen Sie vor der Benutzung des Geräts aufmerksam die Sicherheitshinweise und die Bedienungsanleitung.

Bewahren Sie diese Bedienungsanleitung für die erneute Verwendung zu einem späteren Zeitpunkt auf. Bei Verkauf oder Weitergabe des Gerätes ist die Bedienungsanleitung an jeden nachfolgenden Besitzer/Benutzer des Produkts weiterzugeben.

5 Allgemeine Sicherheitshinweise



⚠ GEFAHR

Gefahr eines Stromschlags!

Dieses Gerät beinhaltet Elektronikteile, die über eine Stromquelle (Netzteil und/oder Batterien) betrieben werden. Bei unsachgemäßer Verwendung dieses Produkts besteht die Gefahr eines Stromschlags. Ein Stromschlag kann zu schweren bis tödlichen Verletzungen führen. Beachten Sie daher unbedingt die nachfolgenden Sicherheitsinformationen.

- Lassen Sie Kinder beim Umgang mit dem Gerät nie unbeaufsichtigt! Die Nutzung darf nur, wie in der Anleitung beschrieben, erfolgen, andernfalls besteht die Gefahr eines Stromschlags!
- Unterbrechen Sie die Stromzufuhr, wenn Sie das Gerät nicht benutzen, im Falle einer längeren Betriebsunterbrechung sowie vor allen Wartungs- und Reinigungsarbeiten, indem Sie den Netzstecker ziehen.
- Platzieren Sie Ihr Gerät so, dass es jederzeit vom Stromnetz getrennt werden kann. Die Netzsteckdose sollte sich immer in der Nähe Ihres Geräts befinden und gut zugänglich sein, da der Stecker des Netzkabels als Trennvorrichtung zum Stromnetz dient.
- Um das Gerät vom Stromnetz zu trennen, ziehen Sie immer am Netzstecker und niemals am Kabel!
- Überprüfen Sie das Gerät, die Kabel und Anschlüsse vor Inbetriebnahme auf Beschädigungen.
- Beschädigtes Gerät oder ein Gerät mit beschädigten stromführenden Teilen niemals in Betrieb nehmen! Beschädigte Teile müssen umgehend von einem autorisierten Service-Betrieb ausgetauscht werden.
- Betreiben Sie das Gerät nur in vollkommen trockener Umgebung und berühren Sie das Gerät nicht mit nassen oder feuchten Körperteilen.



⚠ GEFAHR

Erstickungsgefahr!

Bei unsachgemäßer Verwendung dieses Produkts besteht Erstickungsgefahr, insbesondere für Kinder. Beachten Sie deshalb unbedingt die nachfolgenden Sicherheitsinformationen.

- Verpackungsmaterialien (Plastiktüten, Gummibänder, etc.) von Kindern fernhalten! Es besteht Erstickungsgefahr!
- Dieses Produkt beinhaltet Kleinteile, die von Kindern verschluckt werden können! Es besteht Erstickungsgefahr!



GEFAHR

Explosionsgefahr!

Bei unsachgemäßer Verwendung dieses Produkts besteht Explosionsgefahr. Beachten Sie unbedingt die nachfolgenden Sicherheitsinformationen, um eine Explosion zu vermeiden.

- Setzen Sie das Gerät keinen hohen Temperaturen aus. Benutzen Sie nur das mitgelieferte Netzteil oder die empfohlenen Batterien. Gerät und Batterien nicht kurzschließen oder ins Feuer werfen! Durch übermäßige Hitze und unsachgemäße Handhabung können Kurzschlüsse, Brände und sogar Explosionen ausgelöst werden!



HINWEIS

Gefahr von Sachschäden!

Bei unsachgemäßer Handhabung können das Gerät und/oder die Zubehörteile beschädigt werden. Verwenden Sie das Gerät deshalb nur entsprechend den nachfolgenden Sicherheitsinformationen.

- Bauen Sie das Gerät nicht auseinander! Wenden Sie sich im Falle eines Defekts an Ihren Fachhändler. Er nimmt mit dem Service-Center Kontakt auf und kann das Gerät ggf. zwecks Reparatur einschicken.
- Setzen Sie das Gerät keinen hohen Temperaturen aus und schützen Sie es vor Wasser und hoher Luftfeuchtigkeit.
- Gerät nicht in Wasser tauchen!
- Setzen Sie das Gerät keinen Erschütterungen aus.
- Verwenden Sie für dieses Gerät nur Zubehör- und Ersatzteile die den technischen Angaben entsprechen.
- Nur die empfohlenen Batterien verwenden. Schwache oder verbrauchte Batterien immer durch einen komplett neuen Satz Batterien mit voller Kapazität ersetzen. Keine Batterien unterschiedlicher Marken, Typen oder mit unterschiedlich hoher Kapazität verwenden. Batterien aus dem Gerät entfernen wenn es längere Zeit nicht benutzt wird.
- Verwenden Sie keine wieder aufladbaren Batterien (Akkus).



HINWEIS

Gefahr von Spannungsschäden!

Für Spannungsschäden in Folge falsch eingelegter Batterien oder durch die Nutzung eines nicht geeigneten Netzteils übernimmt der Hersteller keine Haftung!

6 Teileübersicht Basisstation

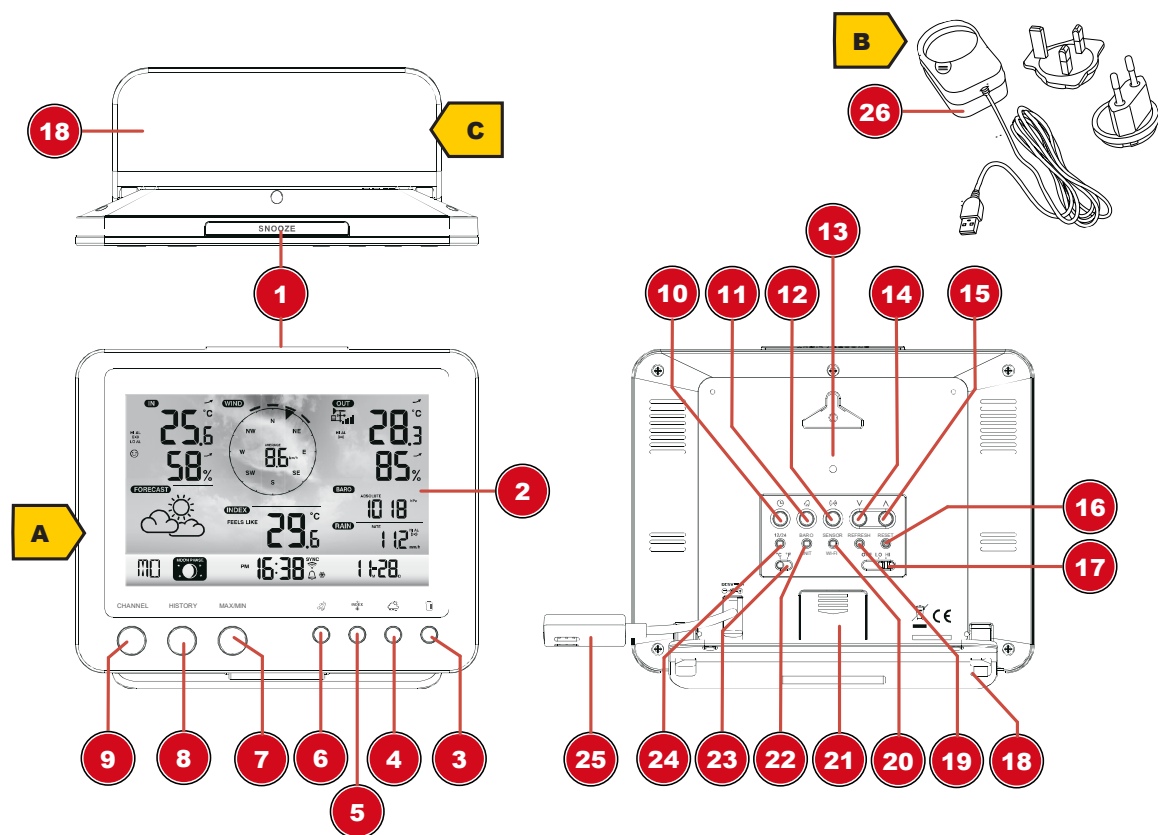


Abb. 1: Alle Teile der Basisstation

1 SNOOZE-Taste (Schlummerfunktion)	2 Farbdisplay
3 RAIN-Taste (Anzeige verschiedener Niederschlagswerte)	4 BARO-Taste (Anzeige verschiedener Luftdruckwerte)
5 INDEX-Taste (Anzeigewechsel zwischen gefühlter Temperatur, Taupunkt, Wärmeindex und Windkühlfaktor)	6 WIND-Taste (Wechsel zwischen durchschnittlicher und aktueller Windböe)
7 MAX/MIN-Taste (Wechsel zwischen Höchst-, Tiefst- oder aktueller Werteanzeige)	8 HISTORY-Taste (Messwerte der letzten 24 Stunden abrufen)
9 CHANNEL-Taste (Kanalwahl)	10 CLOCK SET-Taste (manuelle Zeiteinstellung)
11 ALARM-Taste (Weckrufeinstellung)	12 ALERT-Taste (u.a. Temperaturalarm einstellen)
13 Wandhalterung	14 DOWN-Taste (Wertänderung abwärts)
15 UP-Taste (Wertänderung aufwärts)	16 RESET-Taste (alle Einstellungen zurücksetzen)
17 HI/LO/OFF-Schieberegler (Hintergrundbeleuchtung einstellen oder ausschalten)	18 Standfuß, abnehmbar
19 REFRESH-Taste (manuelle Aktualisierung der Daten)	20 SENSOR/WI-FI-Taste (manuelle Sensorsuche starten oder WI-FI aktivieren/deaktivieren)
21 Batteriefach(-abdeckung)	22 BARO UNIT-Taste (Wechsel der Luftdruckmaßseinheit)
23 °C/°F-Taste (Anzeigewechsel zwischen °C und °F)	24 12/24-Taste (Anzeigewechsel zwischen 12- und 24-Stunden-Modus)
25 Stromanschlussbuchse	26 Netzadapter

7 Teileübersicht Multisensor

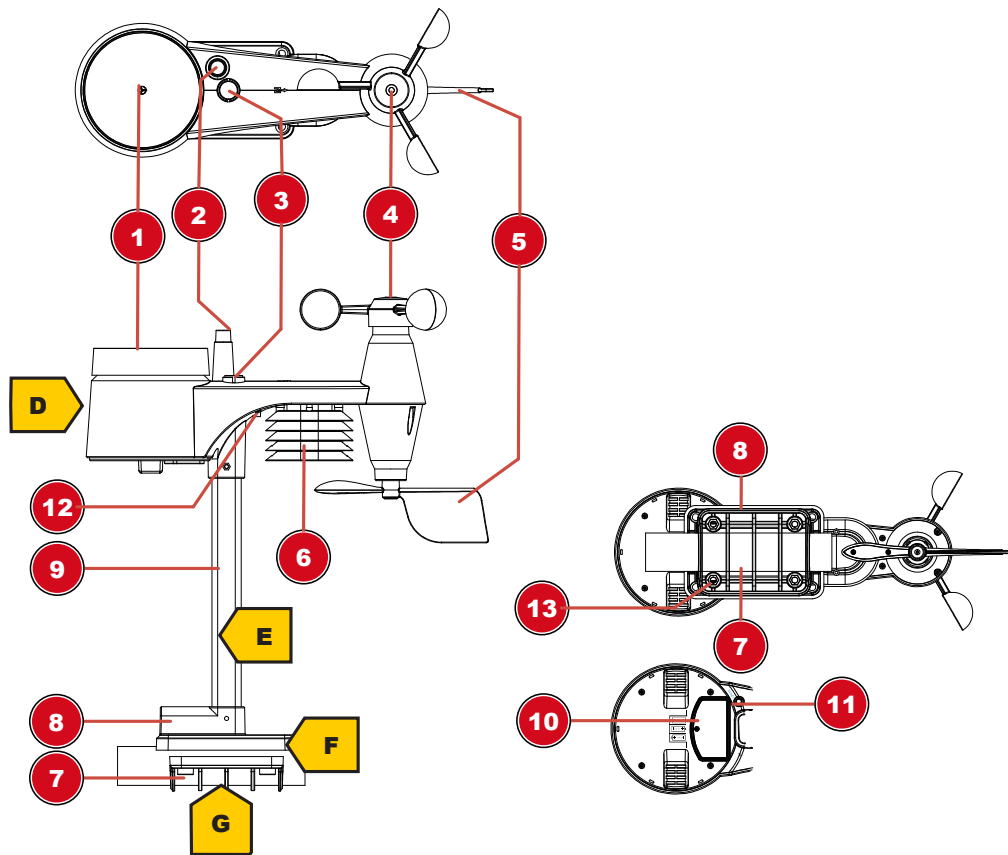


Abb. 2: Alle Teile des Multisensors

1 Regensammelbehälter	2 Antenne
3 Dosenlibelle	4 Windschalen (Windgeschwindigkeit)
5 Windfahne (Windrichtung)	6 Thermo-/Hygrometer
7 Rohrschelle	8 Montageschuh
9 Montagestange	10 Batteriefach(-abdeckung)
11 RESET-Knopf	12 LED-Funktionsleuchte
13 Montageschrauben mit -muttern	

8 Lieferumfang

Basisstation (A), Netzadapter (B), Standfuß (C), multifunktionaler Außensensor (D), Montagestab (E), Montageschuh (F), Rohrschelle (G), Schrauben, Bedienungsanleitung

Außerdem erforderlich (nicht im Lieferumfang enthalten):

3 Stück 1.5V Batterien Typ AA (Außensensor)

Backup Batterie (nicht im Lieferumfang enthalten):

1 Stück 3V Batterie Typ CR2032 (Basisstation)

9 Displayanzeigen

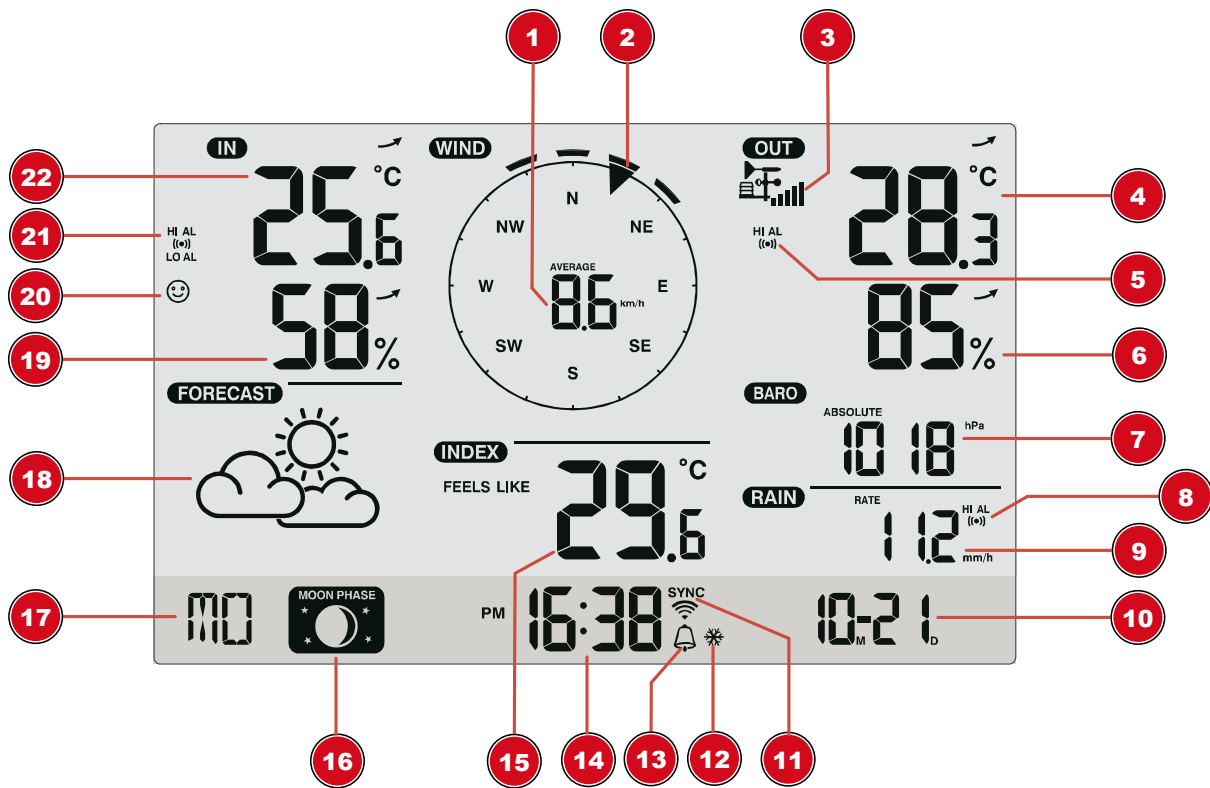


Abb. 3: Displayanzeigen

1	Windgeschwindigkeit	2	Windrichtung
3	Empfangssignalstärke Außensensor	4	Außentemperatur
5	Temperaturalarm Außenbereich aktiv	6	Außenluftfeuchtigkeit
7	Luftdruck	8	Niederschlagsalarm aktiv
9	Niederschlagsmenge	10	Datum
11	W-LAN Synchronisation	12	Frostwarnung aktiv
13	Weckruf aktiv	14	Aktuelle Uhrzeit
15	Gefühlte Temperatur	16	Mondphase
17	Wochentag	18	Grafische Wettertrend-Anzeige
19	Innenluftfeuchtigkeit	20	Komfortindikator (Klima)
21	Temperaturalarm Innenbereich aktiv	22	Innentemperatur

10 Vor der Inbetriebnahme



HINWEIS

Vermeidung von Verbindungsstörungen!

Um Verbindungsstörungen zwischen den Geräten zu vermeiden, sind die folgenden Punkte bei der Inbetriebnahme zu beachten.

1. Basisgerät (Empfänger) und Sensor (Sender) so nah wie möglich nebeneinander stellen/legen.

-
2. Stromversorgung für das Basisgerät herstellen und warten bis die Innentemperatur angezeigt wird.
 3. Stromversorgung für den Sensor herstellen.
 4. Basisgerät und Sensor innerhalb des effektiven Übertragungsbereichs aufstellen/betreiben.
 5. Sicherstellen, dass Basisgerät und Funksensor auf den gleichen Kanal eingestellt sind.

Bei einem Batteriewechsel stets die Batterien sowohl im Basisgerät als auch im Sensor entfernen und in richtiger Reihenfolge wieder neu einsetzen, damit die Funkverbindung erneut aufgebaut werden kann. Wird eines der beiden Geräte über einen Netzstromanschluss betrieben, so muss auch für dieses bei einem Batteriewechsel kurzzeitig die Stromverbindung getrennt werden. Werden z.B. nur die Batterien im Sensor ausgetauscht, kann das Signal anschließend gar nicht oder nicht mehr korrekt empfangen werden.

Beachten Sie, dass die tatsächliche Reichweite von den jeweils verwendeten Baumaterialien der Gebäude sowie der jeweiligen Position der Basiseinheit und des Außensensors abhängt. Durch externe Einflüsse (diverse Funksender und andere Störquellen) kann sich die mögliche Reichweite stark verringern. In solchen Fällen empfehlen wir, sowohl für das Basisgerät als auch den Außensensor andere Standorte zu suchen. Manchmal reicht schon ein Verschieben um wenige Zentimeter!

11 Die ersten Schritte

Befolgen Sie die Punkte in der angegebenen Reihenfolge, um eine erfolgreiche Einrichtung zu gewährleisten.

1. Stromversorgung herstellen (Basisstation und Funksensor)
2. Funksensor montieren
3. Die Basisstation befindet sich jetzt im AP-Modus (AP blinkt) und ist bereit für die Erstinbetriebnahme.
4. Ein Konto bei einem mit Ihrer Station kompatiblen Wetterdienst Anbieter erstellen, z.B. wunderground.com oder weathercloud.net und die Station Ihrem Konto hinzufügen („My Profile“ / „Add Weather station“) oder („Devices“ / „+ New“). Die Station ID und das Passwort notieren, da diese im nächsten Schritt benötigt werden.
5. Basisstation einrichten (Die WIFI / Router Verbindung herstellen)
6. Wetterdaten abrufen über Web, Mobile oder Tablet

12 Stromversorgung herstellen

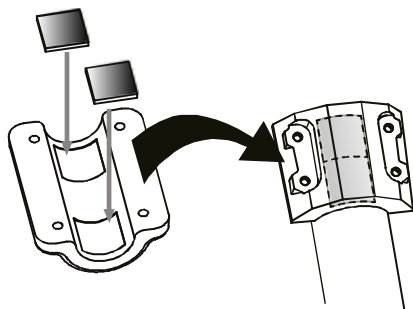
Basisgerät

1. DC-Stecker in die Anschlussbuchse am Basisgerät stecken.
2. Netzstecker in die Steckdose stecken.
3. Das Gerät wird direkt mit Strom versorgt.

Funksensor

4. Schraube am Batteriefachdeckel mit einem geeigneten Kreuzschraubendreher entfernen und Batteriefachdeckel abnehmen.
5. Batterien in das Batteriefach einsetzen. Dabei die korrekte Ausrichtung der Batteriepole (+/-) beachten.
6. Batteriefachdeckel wieder aufsetzen und anschrauben.

13 Gummibeläge anbringen



Die mitgelieferten selbstklebenden Gummibeläge an den Rohrschellen wie abgebildet anbringen, um einen festeren Sitz der Montagegange zu gewährleisten.

14 Multifunktions-Funksensor montieren und anbringen

Abhängig vom gewünschten Standort kann der Funksensor auf verschiedene Weise montiert werden.

HINWEIS! Bei der Montage stets darauf achten, dass sich der obere Teile der Windfahne mindestens 1,5 Meter über dem Erdboden befindet. Beim Anbringen mithilfe der Dosenlibelle im Sensorkopf für eine absolut waagerechte Position sorgen. Das Windrad muss stets nach Norden zeigen.

Montage an einem vertikal oder horizontal ausgerichteten Holzelement

1. Ein Ende des Montagestabes in die Öffnung unterhalb des Sensorkopfes stecken.
2. Eine Schraube durch die Bohrung schieben und auf der anderen Seite die Mutter aufsetzen. Die Schraubverbindung handfest anziehen.
3. Je nach gewünschter Ausrichtung das andere Ende des Montagestabes in die Öffnung des Montagefußes für eine horizontale oder für eine vertikale Montage stecken.
4. Eine weitere Schraube die Bohrung des Montagefußes schieben und auf der anderen Seite die Mutter aufsetzen. Die Schraubverbindung handfest anziehen.
5. Die Unterseite des Montagefußes auf das Holzelement setzen und mit 4 geeigneten Holzschrauben anschrauben.

Montage an einem vertikal oder horizontal ausgerichteten Rohr

6. Die Schritte 1 bis 4 wie zuvor ausführen.
7. Die Unterseite des Montagefußes auf das Rohr aufsetzen und die Rohrschelle von der anderen Seite gegen das Rohr drücken.
8. Die 4 Schrauben durch die Bohrungen des Montagefußes und auf der anderen Seite durch die Bohrungen der Rohrschelle stecken.
9. Die 4 Muttern aufsetzen und die Schraubverbindungen handfest anziehen.

15 Signalübertragung

Die Basisstation verbindet sich automatisch mit dem Multi-Außensensor und (wenn verfügbar) mit anderen kabellosen Sensoren. Sie können außerdem die WIFI / SENSOR Taste drücken um direkt nach den Sensoren zu suchen. Bei erfolgreicher Verbindung werden das Symbol für Außenbereich (OUT) und/oder der Kanal auf dem Display angezeigt.

Verbindungsstatus-Anzeige:

Verbindungsstatus	Displayanzeige
Gutes Signal	Empfangssymbol
Sensor wird gesucht	Empfangssymbol blinkt
Kein Signal seit 48 Stunden	‚Er‘ (Error) wird angezeigt
Sensor Batteriestand niedrig, gutes Signal	Batterie-Symbol wird angezeigt

16 Benutzerkonto für Weather Underground einrichten (optional)

1. Folgende Webadresse für den Dienst ‚Weather Underground‘ in die Adresszeile des Webbrowsers eingeben: <https://www.wunderground.com>
2. ‚Join‘ anklicken, um zur Registrationsseite zu gelangen.
3. Die persönlichen Benutzerdaten eingeben und ‚Sign up‘ anklicken.
4. Den weiteren Einrichtungsschritten folgen.
5. Unter dem Menüpunkt ‚Sensor Network‘ > ‚Connect a Weather Station‘ kann die eigene Wetterstation hinzugefügt werden.
6. Eine ‚Station ID‘ und ein ‚Station Key/Password‘ werden durch den Dienst automatisch generiert, die für die folgende Konfiguration der Wetterstation benötigt werden.

HINWEIS! Für die Registrierung eine gültige E-Mail-Adresse verwenden, da die Nutzung des Dienstes sonst nicht möglich ist.

17 Benutzerkonto für weathercloud einrichten (optional)

1. Folgende Webadresse für den Dienst weathercloud in die Adresszeile des Webbrowsers eingeben: <https://weathercloud.net>
2. Unter „Join us today“ die persönlichen Benutzerdaten eingeben und „Sign up“ anklicken.
3. Nach erfolgreicher Registrierung und Verifizierung der E-Mail-Adresse unter dem Benutzerkonto den Menüpunkt „Devices“ wählen.
4. Unter „Devices“ den Link „+New“ anklicken und im Fenster „Create New Device“ die Geräte- und Standortdaten eingeben, um ein neues Gerät anzulegen. Bei „Model“ die entsprechende Wetterstation wählen. Bei „Link type“ die Option „Pro Weather Link“ wählen.
5. Eine „weathercloud ID“ und ein „Key“ werden durch den Dienst automatisch generiert, die für die folgende Konfiguration der Wetterstation benötigt werden. Diese können über den Account bei weathercloud.net unter Devices > Settings > Link abgerufen werden.

HINWEIS! Für die Registrierung nur eine gültige E-Mail-Adresse verwenden, da die Nutzung des Dienstes sonst nicht möglich ist.

18 Konfiguration / W-LAN-Verbindung herstellen

1. Wenn die Basisstation noch nicht mit einem Router verbunden war, wechselt diese nach der erstmaligen Stromversorgung in den AP-Modus (Access Point Mode). Im Display erscheinen ‚AP‘ und das Symbol für die Wi-Fi Synchronisation.
2. Smartphone, Tablet-PC oder Computer nutzen, um eine W-LAN-Verbindung herzustellen.

HINWEIS! Das jeweilige Endgerät muss selbst auch mit einer W-LAN-Funktion ausgestattet sein.

3. In den Systemeinstellungen des Endgeräts die W-LAN- oder Wi-Fi-Einstellungen aufrufen und das Funknetzwerk mit der Bezeichnung (SSID) ‚PWS-XXXXXX‘ wählen.

- Nach erfolgreicher Verbindung über die Adresszeile des Webbrowsers die IP-Adresse ,http://192.168.1.1' eingeben, um eine Verbindung zum Einstellungs Menü der Wetterstation herzustellen.

HINWEIS! Der IP-Adresse stets ,http://' voranstellen, um browserabhängige Verbindungsfehler zu vermeiden. Empfohlene Browser: die jeweils aktuelle Version von Chrome, Safari, Edge, Firefox oder Opera.

- Im Einstellungs Menü folgende Einstellungen vornehmen:

SETUP page

*Feld leer lassen, wenn Registrierung noch nicht vorliegt und Eingaben zu einem späteren Zeitpunkt vorgenommen werden sollen.
 **Für die manuelle Anlage sind weitere Router-Informationen erforderlich (u.a. IP-Adresse, SSID, etc.)

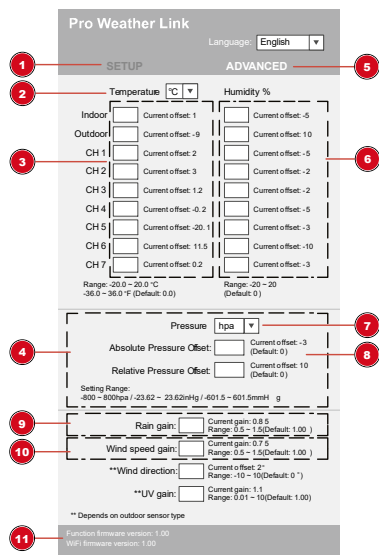
- Nach Abschluss der Einstellungen erkennt das Endgerät nach jedem Neustart die voreingestellte W-LAN-Verbindung wieder.
- Im Access Point Mode kann die WI-FI/SENSOR-Taste 6 Sekunden lang gedrückt werden, um die vorherigen Einstellungen wieder herzustellen.

W-LAN-Verbindungsstatus:

W-LAN Symbol wird im Display angezeigt	W-LAN Symbol blinkt im Display	AP Symbol blinkt im Display
Verbindung zum W-LAN Router erfolgreich	Verbindung zum W-LAN Router instabil oder laufender Verbindungsaufbau	Access Point Mode aktiv

19 Erweiterte Einstellungen

Drücken Sie die "ADVANCED"-Taste oben im Webinterface, um auf die Seite für die erweiterten Einstellungen zu gelangen. Diese Seite ermöglicht es Ihnen, die Kalibrierungsdaten der Konsole einzustellen und anzuzeigen, außerdem können Sie hier die Firmware aktualisieren (nur für Windows PC-Plattform verfügbar).



1 'SETUP' wählen, um ins Einstellungs­menü zu gelangen	2 Temperatureinheit auswählen
3 Temperaturkalibrierung Innen/Außen und Kanal 1-7	4 Luftdruckkalibrierung
5 'ADVANCED' wählen, um ins Einstel­lungs­menü der erweiterten Einstellun­gen zu gelangen	6 Luftfeuchtigkeitskalibrierung
7 Luftdruckeinheit auswählen	8 Einen Versatz (Offset-Wert) eingeben, um den Druckmesswert auszugleichen
9 Regen-Kalibrierung	10 Wind-Kalibrierung
11 Aktuelle Firmware	

KALIBRIERUNG

- Der Benutzer kann den Offset- und Verstärkungswert für verschiedene Messparameter eingeben oder ändern, während die aktuellen Offset- und Verstärkungswerte neben den entsprechenden Feldern angezeigt werden.
- Sobald Sie fertig sind, drücken Sie [Apply] auf der Einrichtungsseite.

Der aktuelle Offset-Wert zeigt den vorherigen Wert, den Sie eingegeben haben, wenn Sie ihn ändern möchten, geben Sie einfach den neuen Wert in das Feld ein, der neue Wert wird gültig, sobald Sie das Symbol [Apply] auf der Einrichtungsseite drücken.

HINWEIS:

Eine Kalibrierung der meisten Parameter ist nicht erforderlich, mit Ausnahme des Relativdrucks, der auf Meereshöhe kalibriert werden muss, um Höheneffekte zu berücksichtigen.

20 Automatische Zeiteinstellung

Nachdem die Stromversorgung und die Internetverbindung hergestellt wurden, werden die Zeit- und Datumsinformationen (koordinierte Weltzeit UTC) vom Internet-Zeitsserver automatisch übertragen.

Bei korrektem Empfang werden Datum und Uhrzeit automatisch eingestellt und das Empfangssymbol ‚SYNC‘ wird angezeigt.

Wurden die Zeit-/Datumsinformationen nicht oder nicht korrekt empfangen, folgendermaßen vorgehen:

- In Ländern/Regionen, deren Zeitzone von der koordinierten Weltzeit UTC abweicht, muss die Zeitzone manuell eingestellt werden (siehe Kapitel ‚Zeitzone einstellen‘), damit die korrekte Zeit angezeigt wird.

2. REFRESH-Taste am Basisgerät ca. 2 Sekunden drücken, um den Abruf der Internetzeitinformatio-
nen erneut zu initiieren.
3. Die W-LAN-Einstellungen am Basisgerät auf Richtigkeit prüfen und ggf. korrigieren, damit eine In-
ternetverbindung hergestellt werden kann (siehe Kapitel ,W-LAN-Verbindung herstellen).

21 Manuelle Zeiteinstellung

1. CLOCK SET-Taste ca. 3 Sekunden drücken um in den Zeiteinstellungsmodus zu gelangen.
2. Die einzustellenden Ziffern blinken.
3. UP- oder DOWN-Taste drücken, um den Wert zu verändern.
4. CLOCK SET -Taste drücken, um die Eingabe zu bestätigen und zur nächsten Einstellung zu
wechseln.
5. Reihenfolge der Einstellungen: Zeitversatz > Sommerzeit ein/aus (on/off) > Stunden > Minuten >
12-/24-Stunden-Modus > Jahr > Monat > Tag > Tag/Monat-Anzeige wechseln > Zeitsynchronisati-
on ein/aus > Sprache

HINWEIS! Bei manueller Zeiteinstellung muss die Zeitsynchronisation deaktiviert werden.

6. CLOCK SET -Taste abschließend drücken, um die Einstellungen zu speichern und den Einstel-
lungsmodus zu verlassen.

**HINWEIS! Im normalen Anzeigemodus die CLOCK SET-Taste drücken um zwischen Jahres- und
Datumsanzeige zu wechseln. Im Einstellungsmodus die CLOCK SET-Taste ca. 2 Sekunden
drücken, um zum normalen Anzeigemodus zurückzukehren.**

22 Zeitzone einstellen

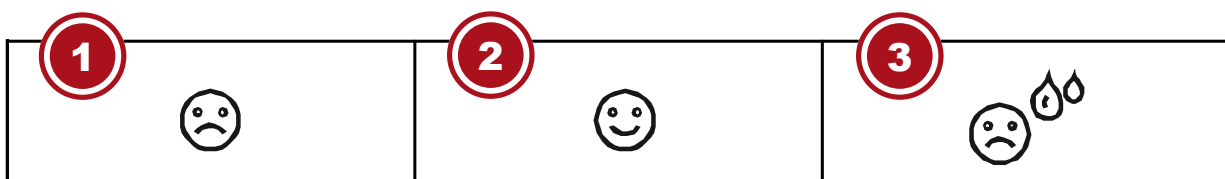
Um eine abweichende Zeitzone einzustellen, folgendermaßen vorgehen:

1. CLOCK SET-Taste etwa 3 Sekunden drücken, um in den Zeiteinstellungsmodus zu gelangen. Der
aktuelle Wert für den Zeitversatz blinkt.
2. Mit der UP- oder DOWN-Taste drücken, um den gewünschten Wert für die Zeitabweichung in
Stunden einzustellen (0-10 Stunden).
3. Die CLOCK SET-Taste erneut 3 Sekunden drücken, um die Einstellungen zu speichern und das
Einstellungsmenü zu verlassen.

23 Manuelle Messwertanzeige

1. MAX/MIN-Taste mehrmals drücken, um nacheinander die gespeicherten Werte anzuzeigen.
2. Reihenfolge der Anzeige: Aktuelle Werte > MAX (Höchstwerte) > MIN (Tiefstwerte)
3. MAX/MIN-Taste während der Höchst- oder Tiefstwertanzeige etwa 3 Sekunden gedrückt halten,
um alle gespeicherten Werte unwiderruflich zu löschen.

24 Klimaindikator (innen)



1 Zu kalt

2 Optimal

3 Zu warm

Der Klimaindikator ist eine bildliche Anzeige, die auf der Innenlufttemperatur und -luftfeuchtigkeit basiert, um das Komfortniveau zu bestimmen.

Hinweis:

- Die Komfortanzeige kann bei gleicher Temperatur unterschiedlich ausfallen, abhängig von der Luftfeuchtigkeit.
- Es gibt keine Komfortanzeige, wenn die Temperatur unter 0 ° C oder über 60 ° C liegt.

25 Mondphasen

Im Bereich der nördlichen Halbkugel wächst der Mond von rechts an. Dies ist so, weil die von der Sonne angestrahlte Seite des Mondes auf der Nordhalbkugel von rechts nach links wandert. Auf der Südhalbkugel hingegen wandert diese von links nach rechts. In den beiden nachfolgenden Tabellen sind die Darstellungen der Mondphasen dargestellt.

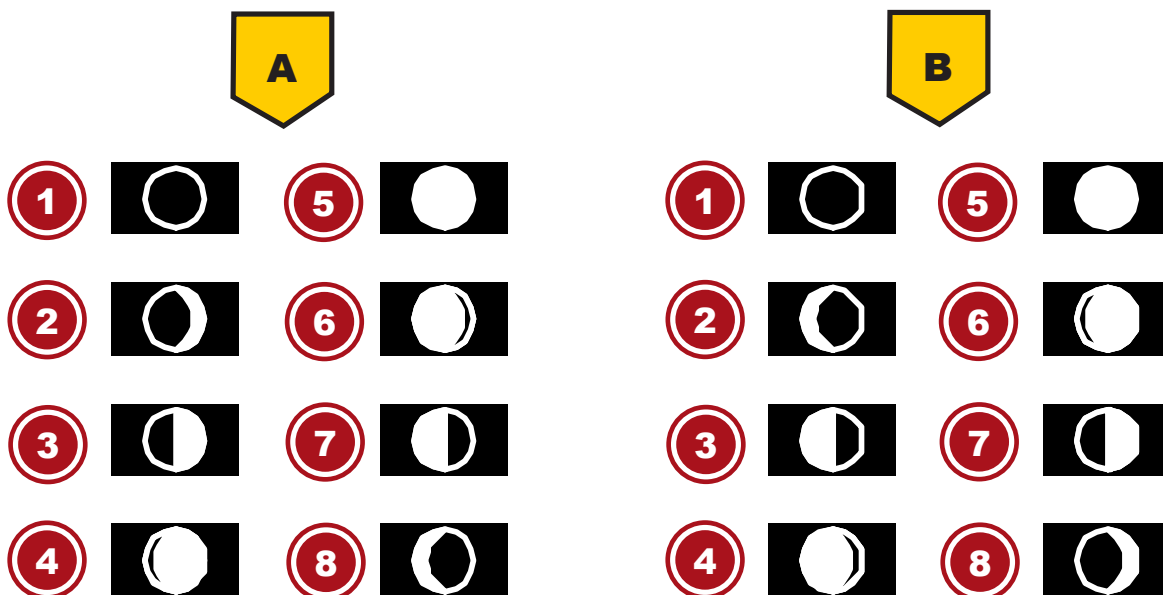


Abb. 4: (A) Nördliche Halbkugel, (B) Südliche Halbkugel

1 Neumond	2 Zunehmender Sichelmond
3 Erstes Viertel	4 Zunehmender Mond
5 Vollmond	6 Abnehmender Mond
7 Letztes Viertel	8 Abnehmender Sichelmond

26 Wettertrend

Aus den gemessenen Werten wird ein Wettertrend für die nächsten 12-24 Stunden errechnet und folgendermaßen grafisch dargestellt:



1 Sonnig

2 Teilweise bewölkt

3 Bewölkt

4 Regen

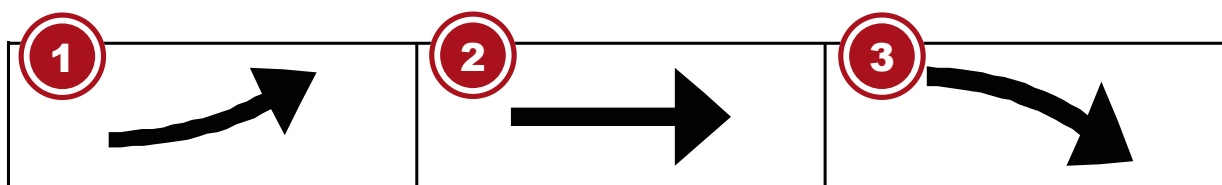
5 Regen/Stürmisch

6 Schnee

Hinweis:

- Die Genauigkeit einer druckbasierten Wettervorhersage liegt bei etwa 70% bis 75%.
- Die Wettervorhersage ist für die nächsten 12 Stunden gedacht, sie muss nicht unbedingt die aktuelle Situation widerspiegeln.
- Die Schneewettervorhersage basiert nicht auf dem Luftdruck, sondern auf der Außentemperatur. Wenn die Außentemperatur unter -3°C (26°F) liegt, wird das Schnee Symbol im LCD-Display angezeigt.

27 Trendpfeile



1 steigend

2 stabil

3 fallend

Der Temperatur- und Luftfeuchtigkeits-Trendindikator zeigt die Trends der Wetterveränderung für die kommenden Minuten an. Pfeile zeigen einen steigenden, gleichbleibenden oder fallenden Trend an.

28 Barometrischer / Atmosphärischer Luftdruck

Der atmosphärische Druck (nachfolgend „Luftdruck“ genannt) ist der Druck an jedem Ort der Erde, der durch das Gewicht der Luftschicht darüber begründet ist. Der Luftdruck steht im Verhältnis zum durchschnittlichen Druck und fällt mit steigender Höhe allmählich ab. Meteorologen benutzen Barometer zur Messung des Luftdrucks. Weil das Wetter in hohem Maße von der Veränderung des Luftdrucks abhängt, ist es möglich, aus den gemessenen Luftdruckveränderungen eine Wetterprognose zu erstellen.

Den barometrischen Luftdruck in einer anderen Maßeinheit anzeigen

Im normalen Anzeigemodus die BARO-Taste drücken, um die Einheit in dieser Reihenfolge zu ändern: (hPa, inHg oder mmHg).

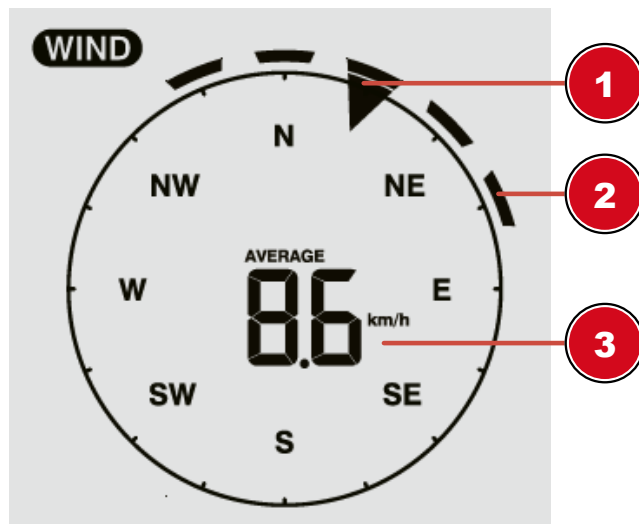
Den Modus von (ABS) Absoluter Luftdruck auf (REL) Relativer Luftdruck umstellen

Im normalen Anzeigemodus die BARO-Taste drücken um zwischen Absoluter Luftdruck und Relativer Luftdruck umzuschalten.

-
- **HINWEIS! ABS: Absoluter Luftdruck an Ihrem gegenwärtigen Standort**
- **HINWEIS! REL: Relativer Luftdruck, basierend auf der Meereshöhe (N.N.)**
- **HINWEIS! Der voreingestellte Wert für den relativen Luftdruck beträgt 1013 mbar/hPa (29.91 inHg), der im Verhältnis zum Durchschnittswert für den Luftdruck steht.**

- **HINWEIS!** Wird der Wert für den relativen Luftdruck geändert, ändern sich hierdurch auch die Wetteranzeigen.
- **HINWEIS!** Der eingebaute Barometer registriert umgebungsbedingte Veränderungen des absoluten Luftdrucks. Basierend auf den gesammelten Daten kann so eine Prognose für die Wetterbedingungen in den kommenden 12 Stunden erstellt werden. Hierzu wechseln die Wetterindikatoren entsprechend dem ermittelten absoluten Luftdruck bereits nach einer Stunde Betriebszeit.
- **HINWEIS!** Der relative Luftdruck basiert auf dem Meeresspiegel, jedoch ändert auch er sich mit Veränderungen des absoluten Luftdrucks nach einer Stunde Betriebszeit.

29 Windgeschwindigkeit und -richtung



1 Windrichtungs-Anzeige in Echtzeit	2 Vergangene Windrichtungsanzeige der letzten 5 Minuten
3 Durchschnittliche/Böenwindgeschwindigkeit oder Beaufort-Skala	4

Einheit der Windgeschwindigkeit und Anzeigeformat der Windrichtung einstellen

1. WIND-Taste für ca. 3 Sekunden drücken um in den Einstellungsmodus zu gelangen.
2. UP oder DOWN-Taste drücken um m/s /Meter pro Stunde), km/h (Kilometer pro Stunde), knots (Knoten) oder mph (Meilen pro Stunde) zu wählen.
3. WIND-Taste drücken um die Einstellung zu speichern und den Einstellungsmodus zu verlassen.

WAHL DES WINDANZEIGEMODUS

Im normalen Modus die WIND-Taste drücken, um zwischen AVERAGE und GUST zu wechseln.

AVERAGE: Durchschnittliche Windgeschwindigkeit, errechnet aus allen Geschwindigkeiten der letzten 30 Sekunden

GUST: Stärkste Windböe seit der letzten Aufzeichnung

30 Beaufort-Skala

Die Beaufort-Skala ist eine internationale Skala zur Klassifizierung der Windgeschwindigkeit von 0 (windstill) bis 12 (Orkan-Stärke).

Beaufort-Nummer	Beschreibung	Geschwindigkeit
0	windstill	< 1 km/h < 1 mph < 1 knots < 0.3 m/s
1	leichter Zug	1.1-5.5 km/h 1-3 mph 1-3 knots 0.3-1.5 m/s
2	leichte Brise	5.6-11 km/h 4-7 mph 1-3 knots 0.3-1.5 m/s
3	schwache Brise	12-19 km/h 8-12 mph 7-10 knots 3.5-5.4 m/s
4	mäßige Brise	20-28 km/h 13-17 mph 11-16 knots 5.5-7.9 m/s
5	frische Brise	29-38 km/h 18-24 mph 17-21 knots 8.0-10.7 m/s
6	starker Wind	39-49 km/h 25-30 mph 22-27 knots 10.8-13.8 m/s
7	steifer Wind	50-61 km/h 31-38 mph 28-33 knots 13.9-17.1 m/s
8	stürmischer Wind	62-74 km/h 39-46 mph 34-40 knots 17.2-20.7 m/s
9	Sturm	75-88 km/h 47-54 mph 41-47 knots 20.8-24.4 m/s
10	schwerer Sturm	89-102 km/h 55-63 mph 48-55 knots 24.5-28.4 m/s
11	orkanartiger Sturm	103-117 km/h 64-73 mph 56-63 knots 28.5-32.6 m/s
12	Orkan	> 118 > 74 mph > 64 knots 32.7 m/s

31 Windkühlfaktor

Drücken Sie die INDEX-Taste mehrmals bis WIND CHILL (Windkühle) auf dem Display angezeigt wird.

Hinweis:

Der Windkühlfaktor basiert auf den gemeinsamen Auswirkungen von Temperatur und Windgeschwindigkeit. Die angezeigte Windkühle wird ausschließlich aus Temperatur und Windgeschwindigkeit berechnet und vom Außensensor gemessen.

32 Gefühlte Temperatur

Drücken Sie die INDEX-Taste mehrmals bis FEELS LIKE (gefühlte) auf dem Display angezeigt wird.

Hinweis:

Die gefühlte Temperatur gibt den Temperaturwert entsprechend dem persönlichen Temperaturempfinden an.

33 Hitzeindex

Drücken Sie die INDEX-Taste mehrmals bis HEAT INDEX (Hitzeindex) auf dem Display angezeigt wird.

Hitzeindex	Warnung	Bedeutung
> 55° C (> 130° F)	Extreme Gefahr	Extremes Risiko einer Dehydration/eines Hitzeschlags
41° C – 54° C (106° F – 129° F)	Gefahr	Hitzekollaps wahrscheinlich
33° C – 40° C (91° F – 105° F)	Erhöhte Vorsicht	Gefahr einer Dehydration
27° C – 32° C (80° F – 90° F)	Vorsicht	Gefahr eines Hitzekollaps

Hinweis:

Die gefühlte Temperatur basiert auf den gemeinsamen Auswirkungen von Temperatur und Luftfeuchtigkeit. Der Hitzeindex wird nur berechnet, wenn sich die Temperatur bei 27° (80° F) oder höher befindet. Die angezeigte gefühlte Temperatur wird ausschließlich aus Temperatur und Luftfeuchtigkeit berechnet und wird vom Außensensor gemessen.

34 Taupunkt

Drücken Sie die INDEX-Taste mehrmals bis DEW POINT (Taupunkt) auf dem Display angezeigt wird.

Hinweis:

Der Taupunkt ist die Temperatur unterhalb dessen Wasserdampf bei konstantem Luftdruck zu gleichen Teilen wie es verdampft ist wieder zu Wasser kondensiert. Kondensiertes Wasser wird Tau genannt, wenn es sich an einer festen Oberfläche bildet. Die Taupunkt-Temperatur wird aus der gemessenen Innentemperatur und -luftfeuchtigkeit berechnet.

35 Weather Underground Live Wetterdaten abrufen

1. Um die Live-Daten Ihres Multisensors in einem Webbrowser anzuzeigen, besuchen Sie bitte wunderground.com und geben dann in der Menüleiste Ihre „Station-ID“ im Suchfeld ein.
2. Sie können die Smartphone App von Weather Underground herunterladen, um die Online-Live-Wetterdaten Ihrer Wetterstation über Android oder iOS Geräte anzuzeigen (weitere Informationen finden Sie unter: <https://www.wunderground.com/download>)

36 Weathercloud Wetterdaten abrufen

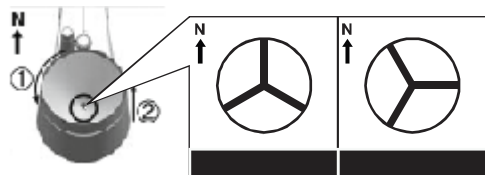
1. Um die Live-Daten Ihres Multisensors in einem Webbrowser anzuzeigen, besuchen Sie bitte weathercloud.net und melden Sie sich bei Ihrem eigenen Konto an.
2. Klicken Sie auf das Symbol "View" innerhalb des "Settings"-Aufklappmenüs-Menüs Ihrer Station.

37 Reinigung und Wartung

- Trennen Sie das Gerät vor der Reinigung von der Stromquelle (Netzstecker ziehen oder Batterien entfernen)!

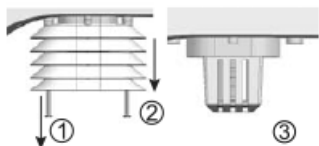
- Reinigen Sie das Gerät nur äußerlich mit einem trockenen Tuch. Benutzen Sie keine Reinigungsflüssigkeit, um Schäden an der Elektronik zu vermeiden.

Regen-Auffangbehälter (Trichter) reinigen



1. Drehen Sie den Auffangbehälter um etwa 30° gegen den Uhrzeigersinn.
2. Ziehen Sie den Trichter vorsichtig nach oben heraus.
3. Reinigen Sie ihn und entfernen Sie Schmutz und Insekten.
4. Setzen Sie den Trichter wieder ein, wenn er vollständig gereinigt und trocken ist.

Thermo/Hygro-Sensor reinigen



5. Drehen Sie die beiden Schrauben unterhalb des Sensors mit einem kleinen Kreuzschraubendreher heraus.
6. Ziehen Sie den Lamellenaufsatz vorsichtig nach unten ab.
7. Entfernen Sie vorsichtig Schmutz und Insekten aus dem Sensorgehäuse.

Hinweis

Der Lamellenaufsatz besteht aus einzelnen ineinander gesteckten Elementen. Die beiden untersten sind geschlossen. Ändern Sie nicht die Reihenfolge! Der Sensor im Inneren des Gehäuses darf nicht mit Wasser in Berührung kommen!

- Reinigen Sie die Lamellen und entfernen Sie Schmutz und Insekten.
- Bringen Sie den Lamellenaufsatz wieder an, wenn er vollständig gereinigt und trocken ist.

38 Entsorgung



Entsorgen Sie die Verpackungsmaterialien sortenrein. Informationen zur ordnungsgemäßen Entsorgung erhalten Sie beim kommunalen Entsorgungsdienstleister oder Umweltamt.



Werfen Sie Elektrogeräte nicht in den Hausmüll!
Gemäß der Europäischen Richtlinie 2012/19/EG über Elektro- und Elektronik-Altgeräte und deren Umsetzung in nationales Recht müssen verbrauchte Elektrogeräte getrennt gesammelt und einer umweltgerechten Wiederverwertung zugeführt werden.



Batterien und Akkus dürfen nicht im Hausmüll entsorgt werden. Sie sind zur Rückgabe gebrauchter Batterien und Akkus gesetzlich verpflichtet und können die Batterien nach Gebrauch entweder in unserer Verkaufsstelle oder in unmittelbarer Nähe (z.B. im Handel oder in kommunalen Sammelstellen) unentgeltlich zurückgeben.

Batterien und Akkus sind mit einer durchgekreuzten Mülltonne sowie dem chemischen Symbol des Schadstoffes bezeichnet, "Cd" steht für Cadmium, "Hg" steht für Quecksilber und "Pb" steht für Blei.



39 Technische Daten

Basisstation

Stromversorgung	DC 5V 1A Netzstecker Typ: HX075-0501000-AX
Temperatur-Messbereich	-5°C – 50°C
Maximale Anzahl der Sensoren	bis zu 7 (optional erhältlich)
Maße	79 x 157 x 41 mm (B x H x T)
Gewicht	130 g

Multisensor

Batterien	3x AA, 1.5V
RF Übertragungsfrequenz	868Mhz
RF Übertragungreichweite	150 m
Maximale Sendeleistung	< 25mW
Temperatur-Messbereich	-40°C – 60°C (-40°F – 140°F)
Barometer-Messbereich	540 – 1100hPa (Relative Reichweite: 930 – 1050hPa)
Luftfeuchtigkeits-Messbereich	1 – 99%
Luftfeuchtigkeits-Auflösung	1% HR
Niederschlags-Messbereich	0 – 19999 mm (0 – 787.3 inch)
Windgeschwindigkeits-Messbereich	0 – 112 mph, 50 m/s, 180km/h, 97 knots
Maße	392.2 x 326 x 144.5 mm (B x H x T)
Gewicht	1096g

Wi-Fi Spezifikationen

Wi-Fi Standard	802.11 b/g/n
Wi-Fi Betriebsfrequenz	2.4 GHz
Unterstützte Geräte	Intelligente Geräte (Smart devices) mit eingebauter Wi-Fi AP Modus (Access Point) funktion, PCs oder Laptops, Android oder iOS Smartphones/Tablets
Unterstützte Internetbrowser	Internetbrowser die HTML 5 unterstützen

40 Garantie

Die reguläre Garantiezeit beträgt 2 Jahre und beginnt am Tag des Kaufs. Um von einer verlängerten, freiwilligen Garantiezeit wie auf dem Geschenkkarton angegeben zu profitieren, ist eine Registrierung auf unserer Website erforderlich.

Die vollständigen Garantiebedingungen sowie Informationen zu Garantiezeitverlängerung und Serviceleistungen können Sie unter www.bresser.de/garantiebedingungen einsehen.

41 EG-Konformitätserklärung



Hiermit erklärt Bresser GmbH, dass der Funkanlagentyp mit Artikelnummer 7002580 7002581 7902580 7902581 7802580 der Richtlinie 2014/53/EU entspricht. Der vollständige Text der EG-Konformitätserklärung ist unter der folgenden Internetadresse verfügbar:
http://www.bresser.de/download/7002580/CE/7002580_7002581_7902580_7902581_7802580_CE.pdf

Service

DE AT CH BE

Bei Fragen zum Produkt und eventuellen Reklamationen nehmen Sie bitte zunächst mit dem Service-Center Kontakt auf, vorzugsweise per E-Mail.

E-Mail: service@bresser.de
Telefon*: +49 28 72 80 74 210

BRESSER GmbH
Kundenservice
Gutenbergstr. 2
46414 Rhede
Deutschland

*Lokale Rufnummer in Deutschland (Die Höhe der Gebühren je Telefonat ist abhängig vom Tarif Ihres Telefonanbieters); Anrufe aus dem Ausland sind mit höheren Kosten verbunden.

GB IE

Please contact the service centre first for any questions regarding the product or claims, preferably by e-mail.

E-Mail: service@bresseruk.com
Telephone*: +44 1342 837 098

BRESSER UK Ltd.
Suite 3G, Eden House
Enterprise Way
Edenbridge, Kent TN8 6HF
Great Britain

*Number charged at local rates in the UK (the amount you will be charged per phone call will depend on the tariff of your phone provider); calls from abroad will involve higher costs.

FR BE

Si vous avez des questions concernant ce produit ou en cas de réclamations, veuillez prendre contact avec notre centre de services (de préférence via e-mail).

E-Mail: sav@bresser.fr
Téléphone*: 00 800 6343 7000

BRESSER France SARL
Pôle d'Activités de Nicopolis
314 Avenue des Chênes Verts
83170 Brignoles
France

*Prix d'un appel local depuis la France ou Belgique

NL BE

Als u met betrekking tot het product vragen of eventuele klachten heeft kunt u contact opnemen met het service centrum (bij voorkeur per e-mail).

E-Mail: info@bresserbenelux.nl
Telefoon*: +31 528 23 24 76

BRESSER Benelux
Smirnofstraat 8
7903 AX Hoogeveen
The Netherlands

*Het telefoonnummer wordt in het Nederland tegen lokaal tarief in rekening gebracht. Het bedrag dat u per gesprek in rekening gebracht zal worden, is afhankelijk van het tarief van uw telefoon provider; gesprekken vanuit het buitenland zullen hogere kosten met zich meebrengen.

ES PT



Si desea formular alguna pregunta sobre el producto o alguna eventual reclamación, le rogamos que se ponga en contacto con el centro de servicio técnico (de preferencia por e-mail).

E-Mail: servicio.iberia@bresser-iberia.es
Teléfono*: +34 91 67972 69

BRESSER Iberia SLU
c/Valdemorillo,1 Nave B
P.I. Ventorro del Cano
28925 Alcorcón Madrid
España

*Número local de España (el importe de cada llamada telefónica dependen de las tarifas de los distribuidores); Las llamadas des del extranjero están ligadas a costes suplementarios..

Bresser GmbH
Gutenbergstraße 2
46414 Rhede · Germany
www.bresser.de

    @BresserEurope

