



SCHUKO SOCKET 16A ACCORDING TO DIN VDE 0620 FOR INSTALL. IN DISTRIB. BOARDS

Similar to image

**Technical data:**

<b>Mounting type</b>		others
<b>Mounting type</b>		others
<b>Color</b>		grey
<b>Design of the product</b>		SCHUKO
<b>Design of the electrical connection</b>		screw-type terminal
<b>Design of the special power supply unit</b>		without special current supply
<b>Design of socket / according to VDE 0620 for severe conditions</b>		No
<b>Product function</b>		
• Socket selectable		No
• Overvoltage protection		No
<b>Product component</b>		
• Error current protection		No
• Ejection equipment		No
• Child protection		No
• Hinged lid		No
• miniature fuse		No
• Lettering field		No
• integrated / Fluorescent materials		No

transversely connectable / lockable		No
Design of the cover		central plate
Material		others
Appearance		matt
Number of units		1
Surface processing		others
Product feature / halogen-free		Yes
order of contacts / diagonal		No
Labeling / of socket outlet		without imprint
Operating current / rated value	A	16
Operating frequency	Hz	50 ... 50
Operating voltage / nominal value	V	230
Material / of the enclosure		others
Protection class IP		IP20
Number of socket outlets / switchable		0
Product feature / transparent		No
Product component / integrated		
<ul style="list-style-type: none"> <li>• functional lighting</li> <li>• orientation lighting</li> </ul>		No No
Design of the phase tap		Without

#### Certificates/approvals:

General Product Approval

other



[Environmental Confirmations](#)

#### Further information:

**Information- and Downloadcenter (Catalogs, Brochures,...)**

<http://www.siemens.com/lowvoltage/catalogs>

**Industry Mall (Online ordering system)**

<https://eb.automation.siemens.com/mall/en/WW/Catalog/Product/5TE6800>

**Service&Support (Manuals, Certificates, Characteristics, FAQs,...)**

<http://support.automation.siemens.com/WW/view/en/5TE6800/all>

**Image database (product images, 2D dimension drawings, 3D models, device circuit diagrams, ...)**

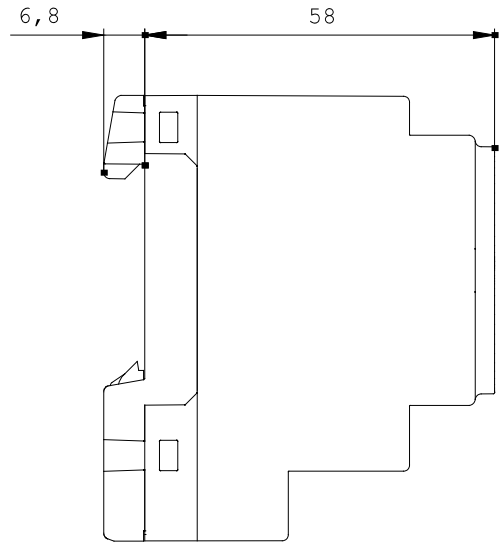
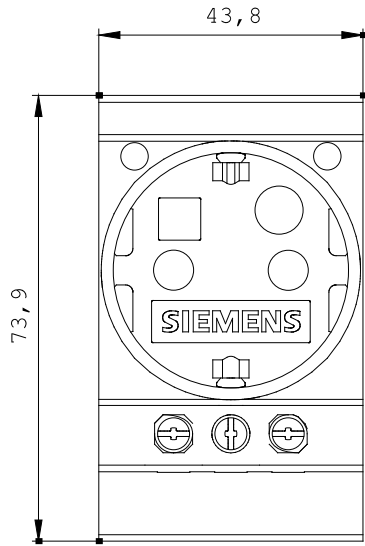
[http://www.automation.siemens.com/bilddb/cax\\_en.aspx?mlfb=5TE6800](http://www.automation.siemens.com/bilddb/cax_en.aspx?mlfb=5TE6800)

**CAX-Online-Generator**

<http://www.siemens.com/cax>

**Tender specifications**

[Datanorm GAEB81](#) [GAEB83](#) [RTF](#) [TXT](#)



last change:

Mar 17, 2014