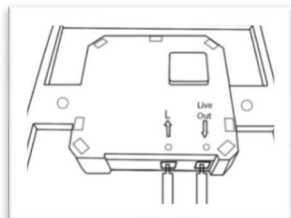


BRUGERVEJLEDNING COLUMBUS TIME TOUCH IP20 LOG TIMER 2019 (10s – 25m) Installation – kun fase og mellemløst.

Venligst sluk strømmen inden installationen – KUN af sikkerhedsmæssige årsager.

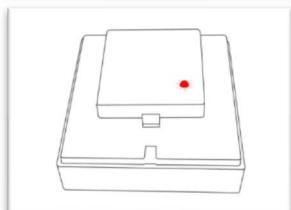
Opvarmningstid = 20 sekunder.



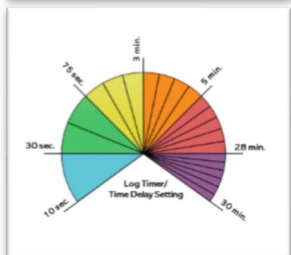
1. Installer strøm til enheden via Live IN & Live OUT klemmerne. Kan også nulstyres.



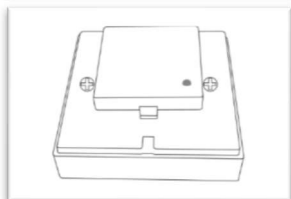
2. Fjern magneten hold magneten væk fra mobilen.



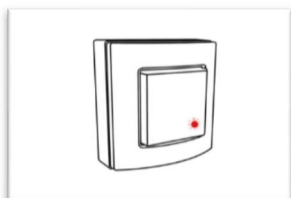
3. Den røde LED vil lyse omgående, når strømmen er tilsluttet.



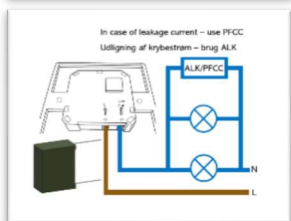
4. (Se emballagen)
Du er nu klar til at indstille din tidsforsinkelse – LOG TIMER, ved hjælp af det sorte potentiometer med din skruetrækker.



5. Skru afbryderen på underlaget og klik rammen på.



6. Klik tangenten på således at det lille hul er i nederste højre hjørne.



7. (Se emballagen)
Udligning af krybestrøm (blinkende lyskilder, svagt lys fra lyskilder, når der er slukket) brug ALK eller dæmpbar LED lyskilder.

COLUMBUS TIME TOUCH IP20 LOG TIMER 2019

er nu installeret og klar til brug.

VIGTIGT!

Alt efter hvilken lyskilde der benyttes er genaktiveringstiden ca. 2 sekunder!

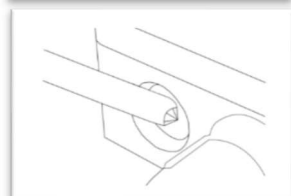
BRUGERVEJLEDNING COLUMBUS TIME TOUCH IP66 LOG TIMER 2019 (10s – 25m) Installation – kun fase og mellemløst.

Venligst sluk strømmen inden installationen – KUN af sikkerhedsmæssige årsager.

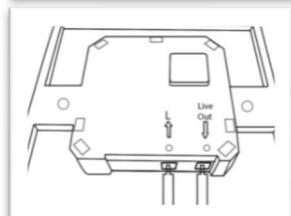
Opvarmningstid = 20 sekunder.



1. Monter IP66 dåsen til din overflade enten i de fire skruehuller i hvert hjørne eller via monterings-beslaget. Hvis du bruger beslaget – så klik dåsen på plads.



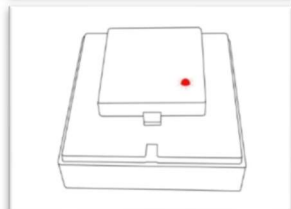
2. Ved monteringen af kablet kan du enten bruge membranen eller en forskrunding M20 IP68 (medfølger ikke).



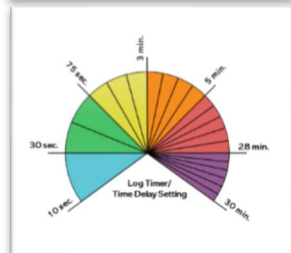
3. Installer strøm til enheden via Live IN & Live OUT klemmerne. Kan også nulstyres.



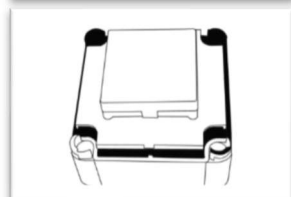
4. Fjern magneten hold magneten væk fra mobilen.



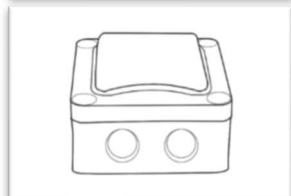
5. Den røde LED vil lyse omgående, når strømmen er tilsluttet.



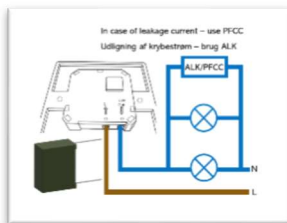
6. (Se emballagen)
Du er nu klar til at indstille din tidsforsinkelse – LOG TIMER, ved hjælp af det sorte potentiometer med din skruetrækker.



7. Placer Columbus Time Touch IP66 Log Timer i dåsen og klik tangenten på således at det lille hul er i nederste højre hjørne.



8. Fastgør dåsens låg og i skru de fire hjørneskruer.



9. (Se emballagen)
Udligning af krybestrøm (blinkende lyskilder, svagt lys fra lyskilder, når der er slukket) brug ALK eller dæmpbar LED lyskilder.

COLUMBUS TIME TOUCH IP66 LOG TIMER 2019

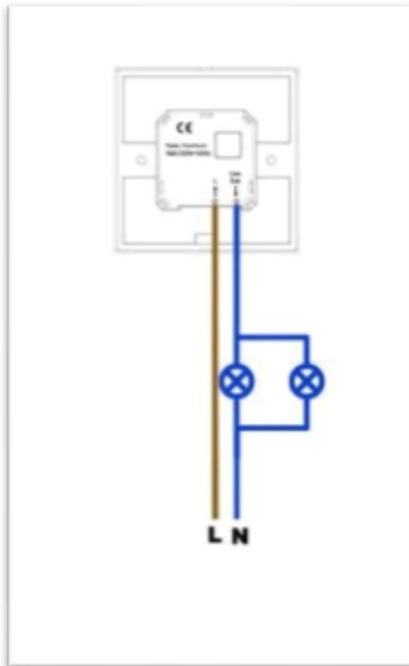
er nu installeret og klar til brug.

VIGTIGT!

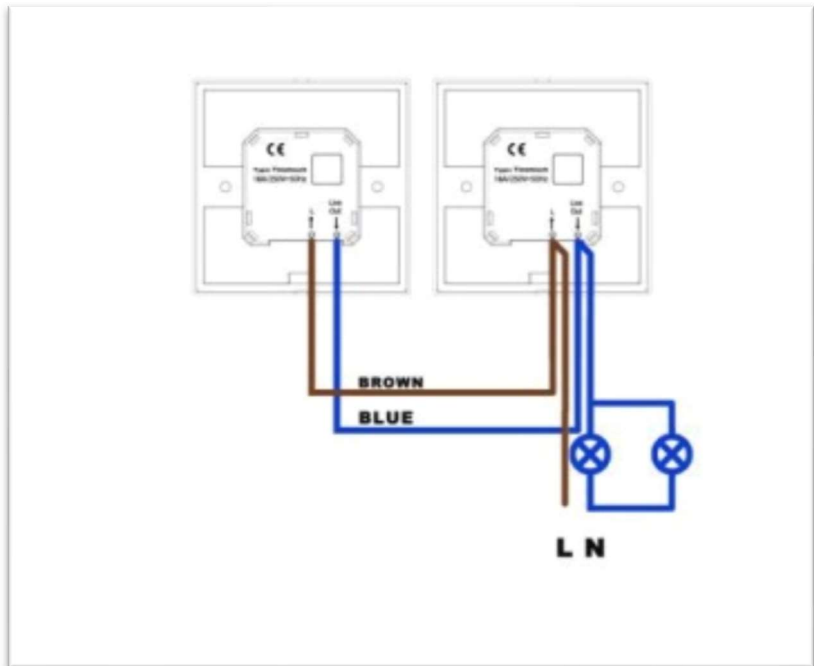
Alt efter hvilken lyskilde der benyttes er genaktiveringstiden ca. 2 sekunder!

DIAGRAM FOR COLUMBUS TIME TOUCH LOG TIMER 2019

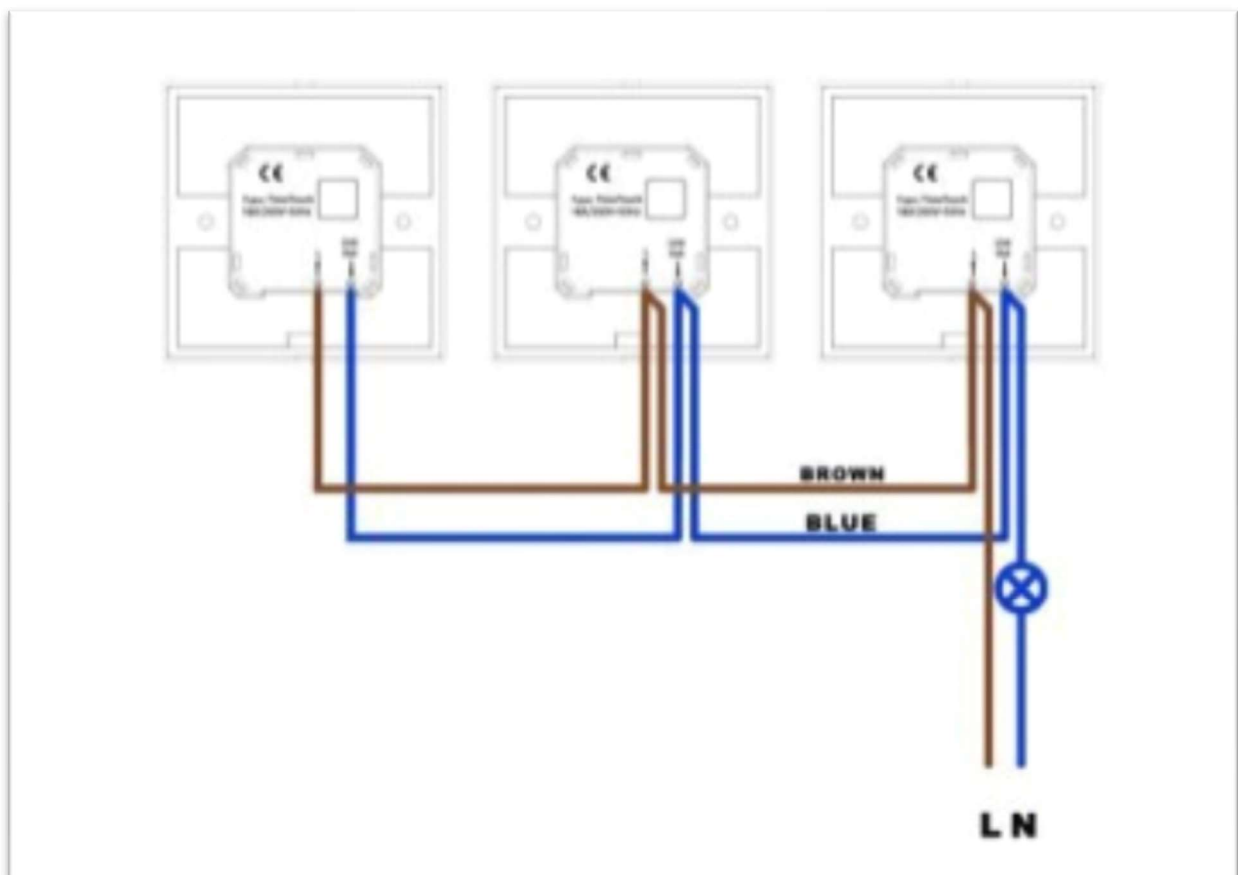
Conventional



Multiple

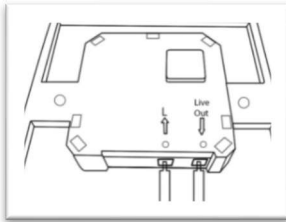


Replace intermediate



**USER MANUAL COLUMBUS TIME TOUCH IP20
LOG TIMER 2019 (10s – 25m)
Installation – no neutral.**

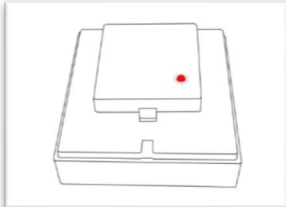
Please ensure mains power is switched off before any timer installation.
Warm up time = 20s.



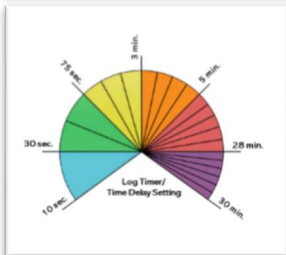
1. Install power to the Columbus Time Touch ensuring that you have the correct wires in both the Live IN & Live OUT terminals.



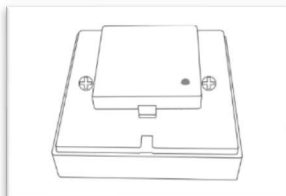
2. Remove the magnet – keep away from cell phones.



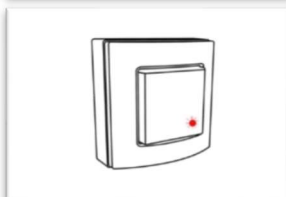
3. The LED will illuminate immediately once the mains power is switched back on.



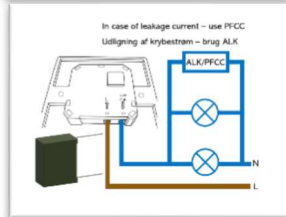
4. (See the packaging)
You are now ready to set your time level required, Time Delay Setting using the black turn screw with your screwdriver set your time level as required.



5. Screw the switch plate into position on the electrical back box and clip the timer face plate into position.



6. Attach the switch ensuring that the LED hole is in line with the LED.



7. (See the packaging)
In case of leakage current (flashing light sources, low light from the light sources, when off) use PFCC or dimmable LED light sources.

COLUMBUS TIME TOUCH IP20 LOG TIMER 2019
is now installed & ready to use.

Important Note

Once the timer is installed and the timing is set, please allow a minimum of 2 second intervals between the light fittings or heating appliance timing out and switching the timer switch back on.

USER MANUAL COLUMBUS TIME TOUCH IP66

Weatherproof LOG TIMER 2019 (10s – 25m)

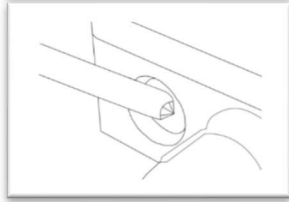
Installation – no neutral.

Please ensure mains power is switched off before any timer installation.

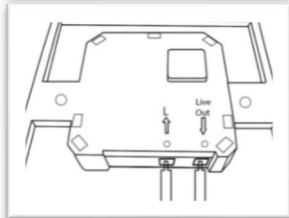
Warm up time = 20s.



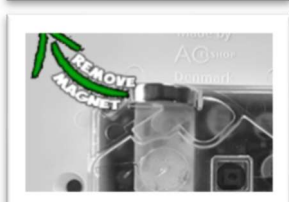
1. Mount the IP66 Weatherproof box to your surface using either the four screw holes in each corner or the 2 hole mounting bracket. If using the mounting bracket once secure please clip the Weatherproof box into place.



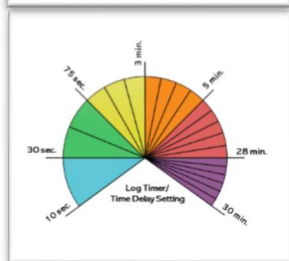
2. When installing the cable into the Weatherproof box it is advisable to use an IP68 Cable Gland (Not Supplied).



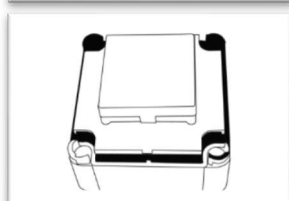
3. Install power to the Timer Switch ensuring that you have the correct wires in both the Live IN & Live OUT terminals.



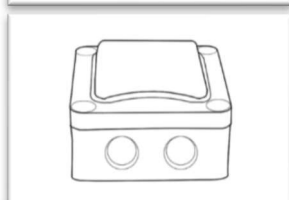
4. Remove the magnet – keep away from cell phones and the LED will illuminate immediately once the mains power is switched back on.



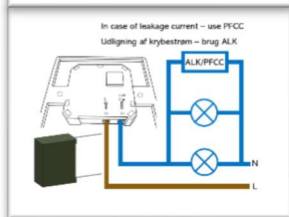
5. (See the packaging)
You are now ready to set your time level required, Time Delay Setting using the black turn screw with your screwdriver set your time level as required.



6. Place the switch back plate into position on the Weatherproof back box and clip the timer switch plate into position ensuring the LED lines up with the LED hole on the plate.



7. Attach the Weatherproof Face plate & screw into position.



8. (See the packaging)
In case of leakage current (flashing light sources, low light from the light sources, when off) use PFCC or dimmable LED light sources.

COLUMBUS TIME TOUCH IP66 LOG TIMER 2019

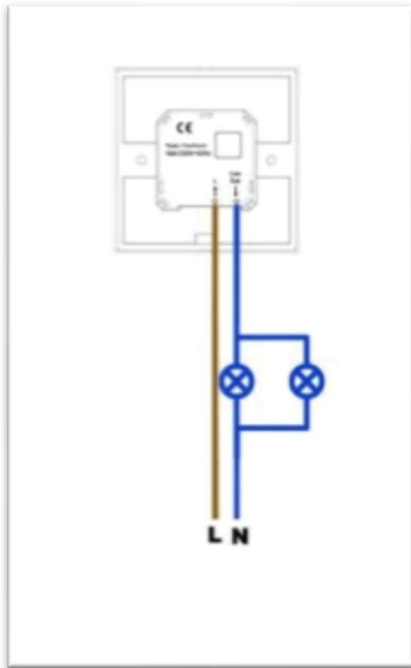
is now installed & ready to use.

Important Note

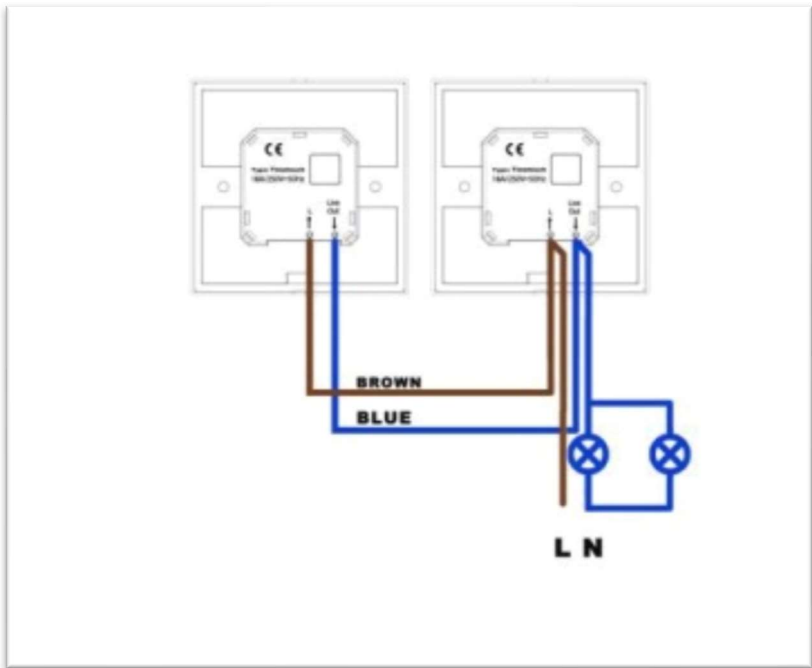
Once the timer is installed and the timing is set, please allow a minimum of 2 second intervals between the light fittings or heating appliance timing out and switching the timer switch back on.

DIAGRAM FOR COLUMBUS TIME TOUCH LOG TIMER 2019

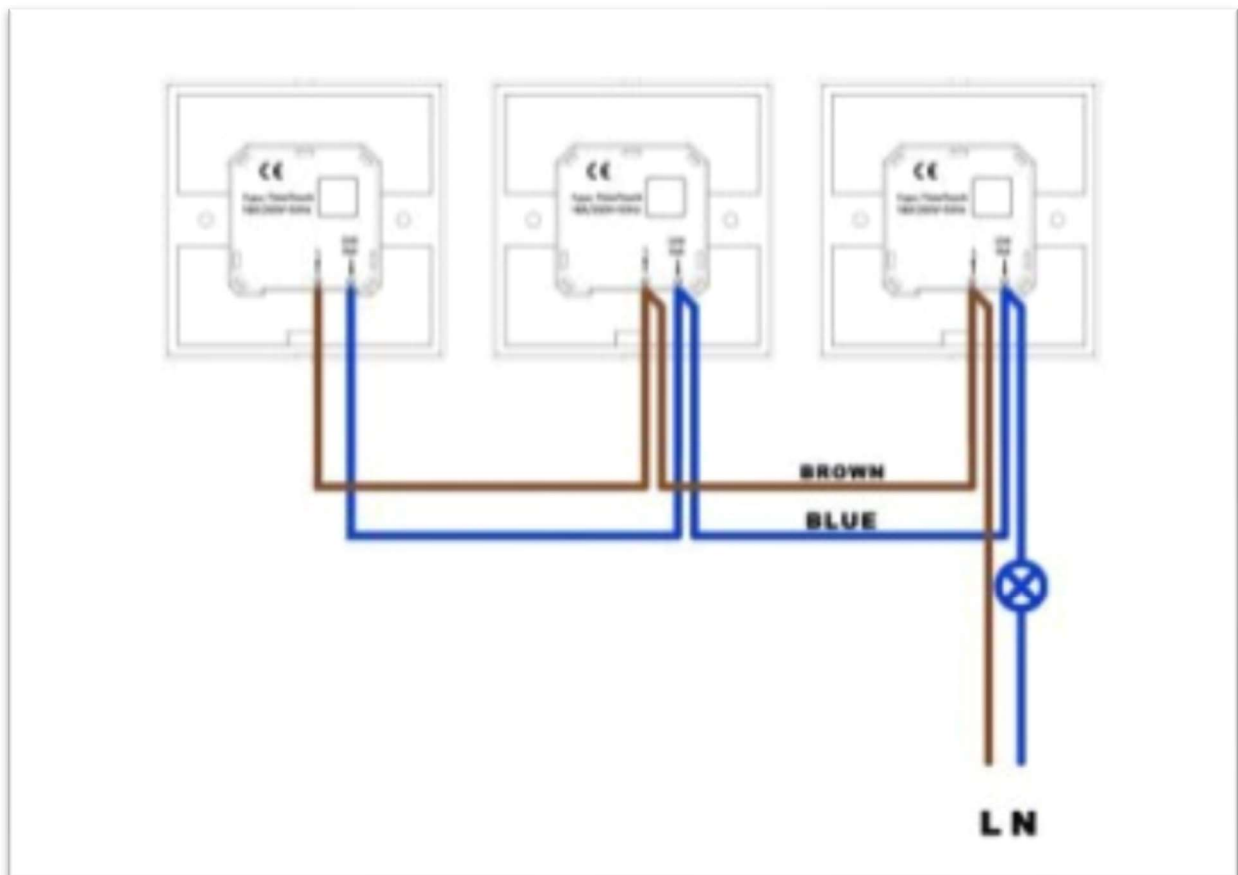
Conventional



Multiple



Replace intermediate



IMPORTANT NOTICE!

This device should be installed by a qualified electrician in accordance with the latest edition of the IEE Wiring Regulations and any applicable Regulations.