

## Product Information

Horizontal cable organiser 19" BKT, 1U, plastic with high elasticity

Card No.: PI\_11140101.3\_01.21



## Application

Horizontal cable management 19" enables attaching of cables and wirings inside the cabinet and their arrangement between the patch panels. The horizontal cable management is essential in telecommunications cabinets because it allows for maintaining proper organization and order in structural cabling.

## Features

- Allows for clear organization of cabling
- Holders can be mounted horizontally as well as vertically
- Holes between holders allow for leading cables through the back of the organizer
- Additional side holders mounted at the side of the organizer allow for vertical organization of cabling
- Material - highly flexible plastic
- Standard: 19"
- Cable holder dimensions: 40 x 80 mm
- Colour: black RAL 9005
- Dimensions (H x W x D) – 44,45mm x 482,6mm x 85 mm

## Standards

- EN 50173-1
- EN 60297-3-100
- ISO/IEC 11801
- IEC 60297-3-100
- ANSI/TIA-568.2
- EIA-310-E
- RoHS 2011/65/EU



## Product Information

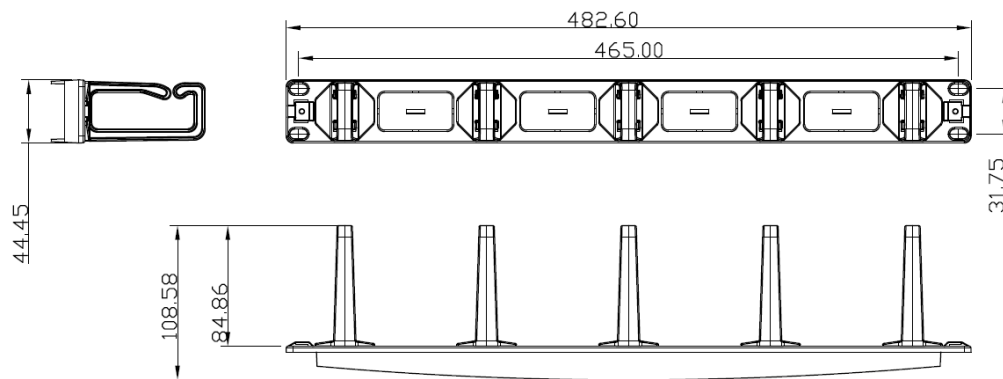
Horizontal cable organiser 19" BKT, 1U, plastic with high elasticity

Card No.: PI\_11140101.3\_01.21

## Physical and mechanical properties

Oganiser	aBS UL 94 HB
Cable holders	ABS UL 94-HB
Colour	Black RAL 9005

## Dimensions [mm]



## Optional accessories

Index	Product description
11140201.3	BKT plastic cable holder high elasticity 1U, 40x80mm
11140202.3	BKT plastic cable holder high elasticity 1U, 80x80mm

## Performance / Variants

Index	Product description
11140101.3	Horizontal cable organiser 19" BKT, 1U, plastic with high elasticity