

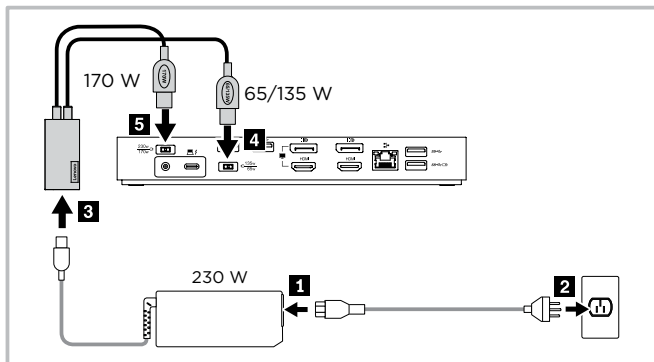


ThinkPad Workstation Dock Slim Tip Y Cable

<https://support.lenovo.com>



Lenovo



English

Use the ac power adapter and power cord that come with your ThinkPad Workstation Dock.

Brazilian Portuguese

Use o adaptador de energia CA e o cabo de alimentação fornecidos com o ThinkPad Workstation Dock.

Czech

Používejte napájecí adaptér a napájecí kabel dodaný s dokovací stanicí ThinkPad Workstation Dock.

Dutch

Gebruik de netvoedingsadapter en het netsnoer die bij de ThinkPad Workstation Dock zijn meegeleverd.

French

Utilisez le boîtier d'alimentation et le cordon d'alimentation qui sont fournis avec votre ThinkPad Workstation Dock.

German

Verwenden Sie das Netzteil und das Netzkabel, die im Lieferumfang des ThinkPad Workstation Dock enthalten sind.

Italian

Utilizzare l'adattatore di alimentazione CA e il cavo di alimentazione forniti con ThinkPad Workstation Dock.

Japanese

ThinkPad Workstation Dock に付属の AC 電源アダプターおよび電源コードを使用してください。

Korean

ThinkPad Workstation Dock 와 함께 제공되는 AC 전원 어댑터 및 전원 코드를 사용하십시오.

Russian

Используйте адаптер электропитания и шнур питания, входящие в комплект поставки док-станции ThinkPad Workstation Dock.

Simplified Chinese

请使用 ThinkPad Workstation Dock 随附的交流电源适配器和电源线。

Slovak

Používajte napájací adaptér a napájací kábel dodané spolu s dokovacou stanicou ThinkPad Workstation Dock.

Spanish

Utilice el adaptador de alimentación de CA y el cable de alimentación que se incluyen con su ThinkPad Workstation Dock.

Traditional Chinese

請使用 ThinkPad Workstation Dock 隨附的 AC 電源整流器及電源線。

Turkish

ThinkPad Workstation Dock ile birlikte verilen AC güç bağıdırıcısını ve elektrik kablosunu kullanın.

Ukrainian

Використовуйте адаптер живлення змінного струму й кабель живлення з комплекту постачання док-станції ThinkPad Workstation Dock.



Part number: SP40M56901

Printed in China

Compliance information

The latest compliance information is available at:

<https://www.lenovo.com/compliance>

Electromagnetic emission notices

Federal Communications Commission (FCC) Supplier's Declaration of Conformity

The following information refers to the ThinkPad WorkStation Dock Slim Tip Y Cable, model: DY1841.

This equipment has been tested and found to comply with the limits for a Class B digital device, pursuant to Part 15 of the FCC Rules. These limits are designed to provide reasonable protection against harmful interference in a residential installation. This equipment generates, uses, and can radiate radio frequency energy and, if not installed and used in accordance with the instructions, may cause harmful interference to radio communications. However, there is no guarantee that interference will not occur in a particular installation. If this equipment does cause harmful interference to radio or television reception, which can be determined by turning the equipment off and on, the user is encouraged to try to correct the interference by one or more of the following measures:

- Reorient or relocate the receiving antenna.
- Increase the separation between the equipment and receiver.
- Connect the equipment into an outlet on a circuit different from that to which the receiver is connected.
- Consult an authorized dealer or service representative for help.

Lenovo is not responsible for any radio or

television interference caused by using other than recommended cables and connectors or by unauthorized changes or modifications to this equipment. Unauthorized changes or modifications could void the user's authority to operate the equipment.

This device complies with Part 15 of the FCC Rules. Operation is subject to the following two conditions: (1) this device may not cause harmful interference, and (2) this device must accept any interference received, including interference that may cause undesired operation.

Responsible Party:

Lenovo (United States) Incorporated

7001 Development Drive

Morrisville, NC 27560

Email: FCC@lenovo.com



Industry Canada Compliance Statement

CAN ICES-3(B)/NMB-3(B)

Eurasian compliance mark



Trademarks

LENOVO, the LENOVO logo, THINKPAD, and the THINKPAD logo are trademarks of Lenovo.

All other trademarks are the property of their respective owners. © 2019 Lenovo.

Reduce | Reuse | Recycle



First Edition (June 2019)
© Copyright Lenovo 2019.

LIMITED AND RESTRICTED RIGHTS NOTICE: If data or software is delivered pursuant to a General Services Administration "GSA" contract, use, reproduction, or disclosure is subject to restrictions set forth in Contract No. GS-35F-05925.