

Delock DIN Rail Side Panel for Board Holder 4 pieces

Description

This DIN rail side panel by Delock can be placed on the ends of the board holder (Delock item number 65984-65989 and 66086-66087).

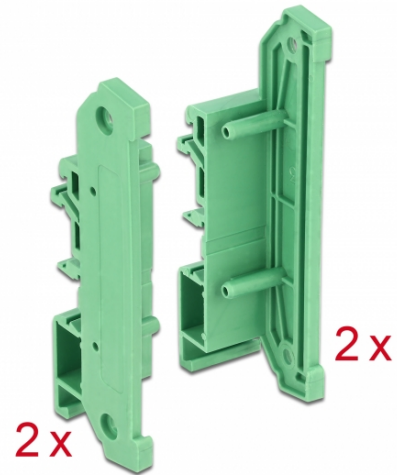
Suitable for Board Holder

This DIN rail side panel can be mounted on a board holder with a width of 72 mm.

The delivery includes 2 left and 2 right side panels.

DIN Rail Mounting

Together this can be fixed on a DIN rail with width of 15 mm or 35 mm.



Note

Attachable to a board holder of Delock item number 65984-65989 and 66086-66087.

Specification

- DIN rail mounting: 15 mm and 35 mm
- 2 x mounting holes
- Mounting hole diameter: 3.5 mm
- Pitch of screw hole: ca. 70 mm
- Environmental temperature: -10 °C ~ 70 °C
- Material: plastic
- Colour: green
- Dimensions (LxWxH): ca. 86.00 x 29.07 x 17.60 mm

System requirements

- Delock board holder
- 15 mm or 35 mm DIN rail

Package content

- 4 x DIN rail side panel
- 10 x screw

Item no. 66064

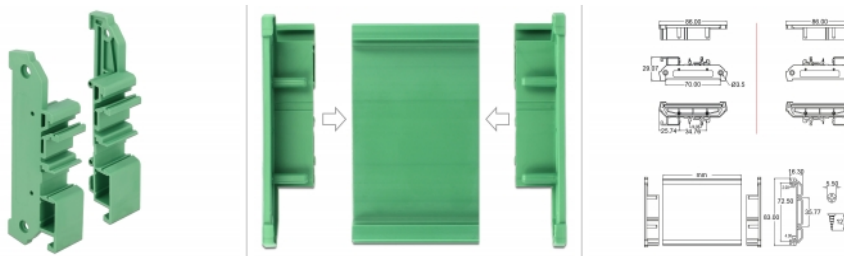
EAN: 4043619660643

Country of origin: Taiwan, Republic of China

Package: Poly bag



Images



General**Mounting type:** DIN rail mounting: 15 mm and 35 mm**Technical characteristics****Storage temperature:** -10 °C ~ 70 °C**Physical characteristics****Material:** plastic**Length:** 86.00 mm**Width:** 29.07 mm**Height:** 17.60 mm**Colour:** green