

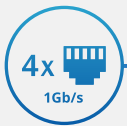
RUTX10

NEXT GENERATION ENTERPRISE ROUTER

This device is equipped with Dual-Band AC WiFi, Quad-core CPU, 256 MB of RAM and 4 x Gigabit Ethernet ports. Powerful hardware combined with all advanced RutOS software and security features make this device a great performer as a fast, secure and reliable Enterprise router.



Wave-2 802.11ac Dual Band WiFi with speeds up to 867 Mbps



Gigabit Ethernet with speeds up to 1000 Mbps



Teltonika Remote Management System compatible



Bluetooth LE for short range communication



Quad-core ARM Cortex A7 CPU, 717 MHz



RutOS – easy to use, secure and feature rich Operating System

ADVANCED

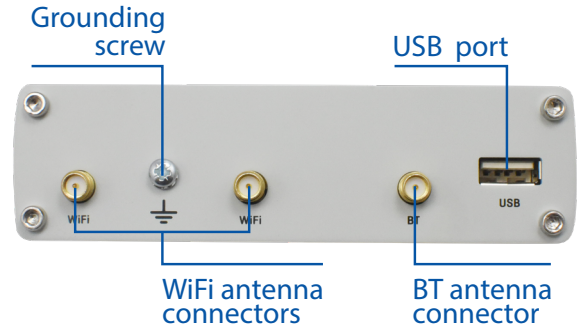
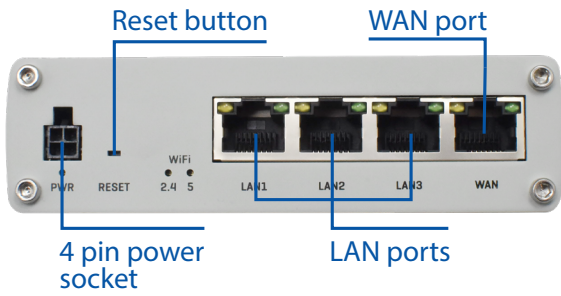
- IoT ready with Bluetooth LE
- High processing power
- Convenient router access via Remote Management System

ROBUST

- Durable aluminium housing
- Wide voltage range (9-50 V)
- External temperature range (-40 +75 °C)

SECURE

- Multiple VPN options
- Advanced firewall functionality
- Advanced WiFi encryption



Hardware

CPU	Quad Core ARM Cortex A7 717 MHz CPU
Memory	256 MB SPI Flash, 256 MB of DDR3 RAM
Ethernet	3 x LAN ports 10/100/1000 Mbps, 1 x WAN port (can be configured to LAN) 10/100/1000 Mbps
WiFi	802.11ac (WiFi 5) with data transmission rates up to 867 Mbps (Dual Band, MU-MIMO)
Power supply	9 - 50 VDC, 4 pin DC connector
PoE (passive)	Passive PoE. Possibility to power up through LAN port, not compatible with IEEE 802.3af and 802.3at standards
Connectors	1 x 4 pin DC, 4 x Ethernet, 2 x WiFi RP-SMA, 1 x RP-SMA for Bluetooth
Status LEDs	1 x Power, 2 x WiFi band, 8 x Ethernet status
Operating temperature	-40 °C to 75 °C
Housing	Full aluminium with grounding screw
Weight	357 g
Dimensions	115 mm x 95 mm x 32 mm

Software

Network protocols	TCP, UDP, IPv4, IPv6, ICMP, NTP, DHCP, DNS, HTTP, HTTPS, SMTP, SSL v3, TLS, ARP, PPPoE, UPNP, SSH, Telnet, PPP, FTP, MQTT, Wake On Lan (WOL)
Networking features	NAT, Static/Dynamic routing, Firewall, H.232 and SIP-alg protocol NAT helpers, allowing proper routing of VoIP packets
Unique networking features	VLAN, WEB Filter, Load Balancing, Network Backup
Connection monitoring	Ping Reboot, Periodic Reboot, Wget Reboot, LCP and ICMP for link inspection
Authetication	Pre-shared key, digital certificates, X.509 certificates
Keep settings	Update FW without losing current configuration
Monitoring & Management	WEB UI, SSH, SNMP, JSON-RPC, FOTA, RMS
Supported languages	Busybox shell, Lua, C, C++

