

REBEL P30 Gold

ATX 3.0 Power Supply Unit

Manual

Safety Instructions

This device is only to be used as a power supply unit for powering PCs and is intended exclusively for this purpose. Even when it is not being used for a long period of time, a power supply unit can still possess a high electric charge. For your own safety, be sure to follow the instructions below before using the device. The manufacturer's guarantee will become void if damage occurs to the product as a result of improper use or non-compliance with the following safety instructions.

CAUTION!

- Only use the device with accessories approved by the manufacturer and do not unscrew or modify the device without the manufacturer's consent. Repairs must only be carried out by authorized specialist personnel.
- Do not use the device in extreme environments. Also make sure that it always has sufficient distance to household heating appliances and radiators and other such sources of heat.
- Do not insert any objects into the openings of the device.
- The device is only intended for indoor use and within the appropriate level of humidity. Keep liquids away from the device and do not touch it with wet hands.
- Immediately disconnect the device from your household electricity supply if it comes into contact with liquid, or if smoke occurs, or if you notice any damage, for example, to the cables. Do not then use the device again.
- Only the outside of the power supply unit may be cleaned and only using a dry cloth. Before doing this, completely disconnect the device from your household electricity supply by pressing the power switch to "O" and pulling the plug of the power cord out of your wall outlet.

Safety Standards and Protections

This power supply unit is designed for a household power voltage of 100 - 240 volts. It complies with CE, FCC, UKCA and CB safety standards and is equipped with protection features that are designed to protect the device itself as well as the components connected to it. The device will unexpectedly shut down in the event of a protection function. You should then check immediately if there is a specific cause for the shutdown.

OPP (Over-Power Protection)

If the system demands more power than the specifications allow, the power supply unit will switch itself off to protect the electronics from damage.

OVP (Over-Voltage Protection) / UVP (Under-Voltage Protection)

This function shuts off the power supply unit to protect the components as soon as the internal voltage exceeds or falls below the specified limits.

SCP (Short-Circuit Protection)

Should a short circuit occur, the SCP function switches off the power supply unit and protects the electronics from damage.

OCP (Over-Current Protection)

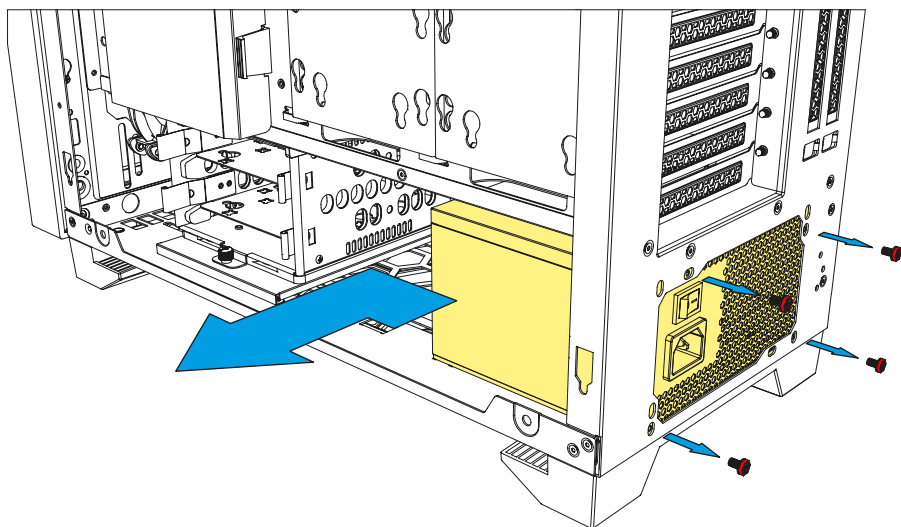
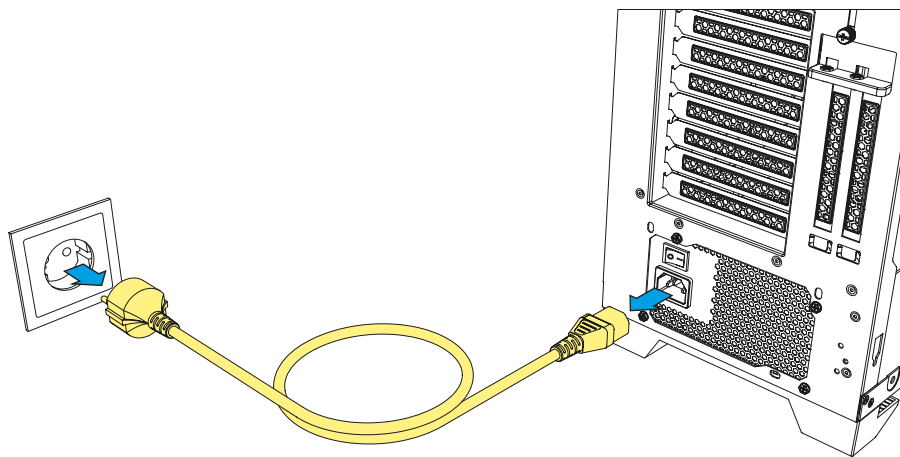
If the current measured on a rail exceeds a specified value, the OCP function switches off the power supply unit to prevent damage.

OTP (Over-Temperature Protection)

If the heat level inside the power supply unit reaches a critical point, the OTP function switches off the device to protect the electronics.

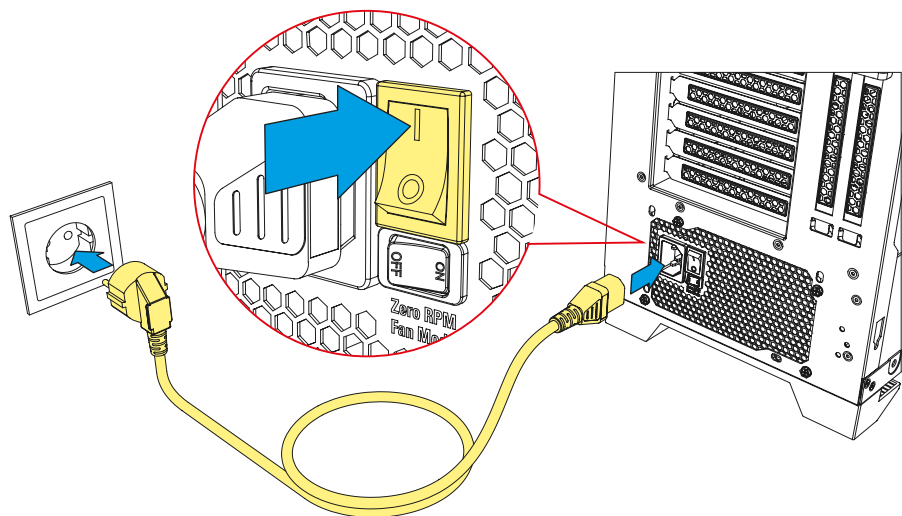
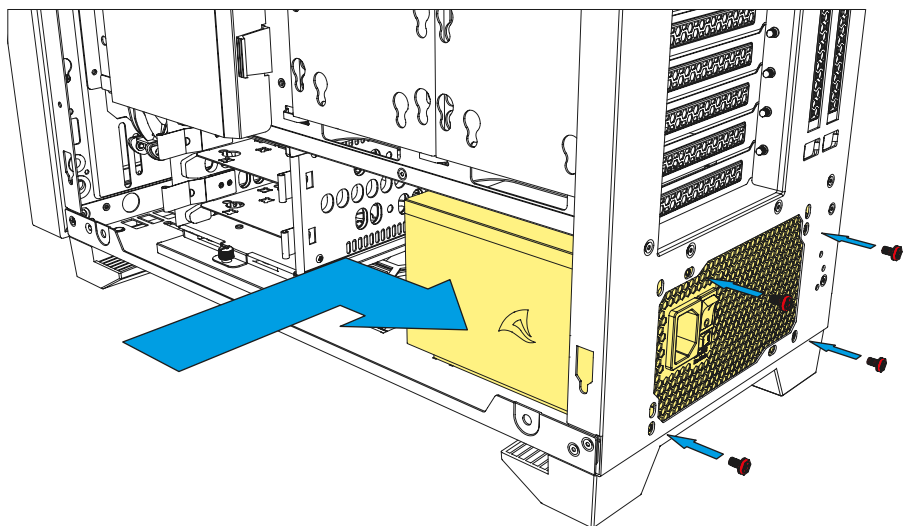
Installation

Remove the old power supply unit from the PC case



Installation

Install the power supply unit into the PC case

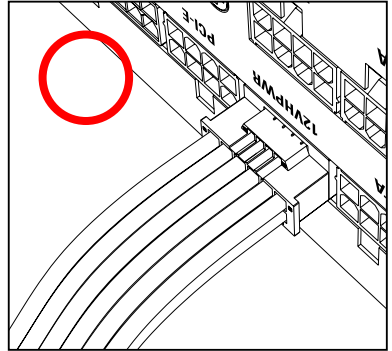
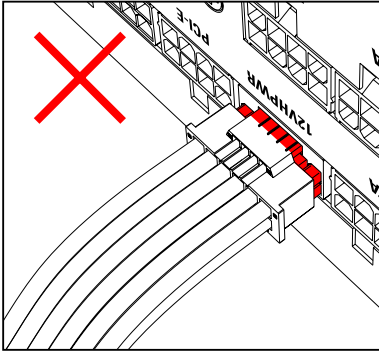


Installation

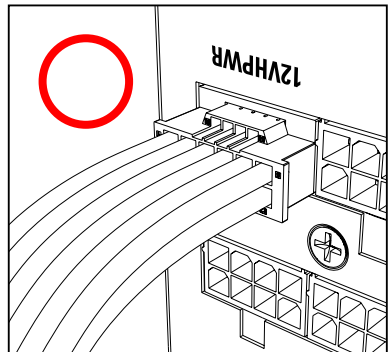
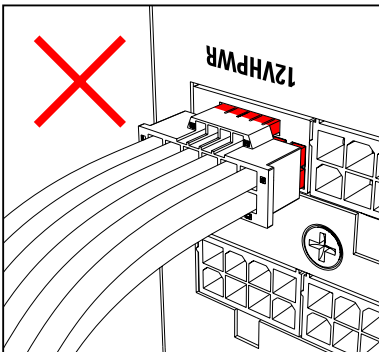
PLEASE NOTE!

Make sure that only the supplied modular cables are used. The use of other cables (for example, cables from an older Sharkoon PSU series or cables from other manufacturers) can damage the device and the peripheral hardware. Make sure all cables are properly connected and fully inserted into the power supply unit and the peripheral hardware.

850 WATT



1000 WATT / 1300 WATT

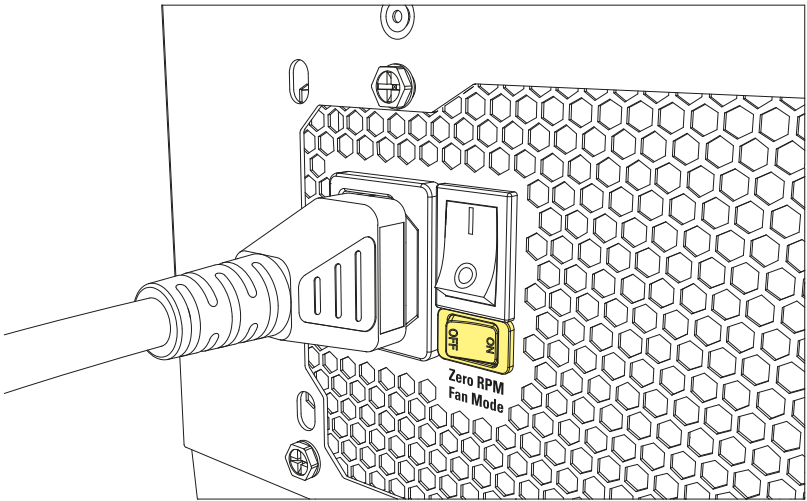


Cooling Options

The Rebel P30 Gold is equipped with two functions for flexibly adjusting the cooling behavior, which are explained below.

Zero RPM Mode

When the Zero RPM mode is on, the fan rotation is stopped at low and medium loads to enable silent operation. When the load on the system increases, the fan will automatically turn on again to cool the power supply unit sufficiently. When the Zero RPM mode is off, the fan runs continuously at low speed to produce a constant airflow.

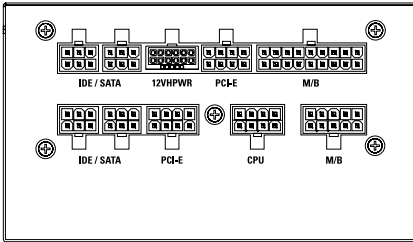


Fan Delay Mode

The power supply unit's fan continues to run for 60 seconds at constant speed after the system has been switched off. As a result, hot spots are avoided, and remaining waste heat is transported out of the system. In addition, this increases the service life of the installed components.

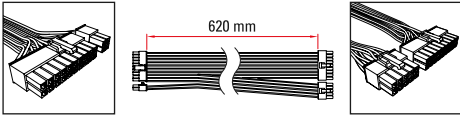
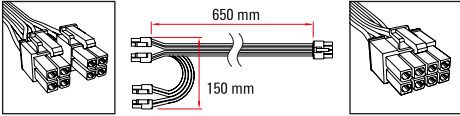
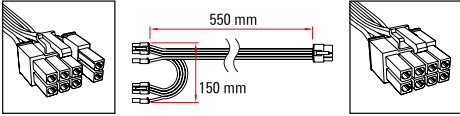
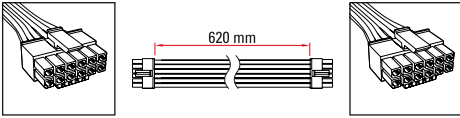
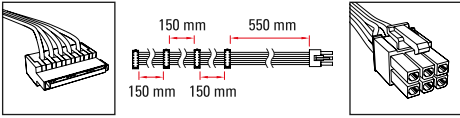
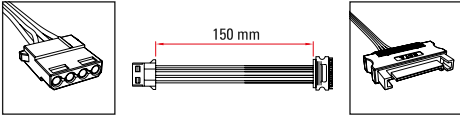
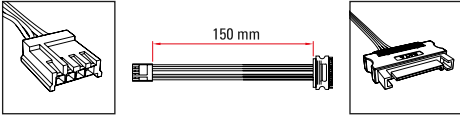
Connection Options

850 WATT



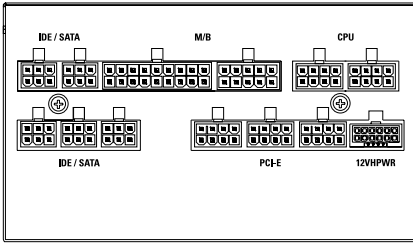
- 1x 20+4-pin mainboard (2x M/B)
- 1x 4+4-pin CPU (CPU)
- 2x 6+2-pin PCIe (PCI-E)
- 4x SATA (IDE/SATA)
- 1x 12VHPWR

CABLE SET

QTY	Type	Cable	Connectors per Cable	Total Connectors
1	20+4-Pin Mainboard Connector		1	1
1	4+4-Pin CPU Connector		2	2
2	6+2-Pin PCIe Connector		2	4
1	12VHPWR Connector		1	1
3	SATA Connector		4	12
2	IDE Connector		1	2
1	Floppy Connector		1	1

Connection Options

1000 WATT



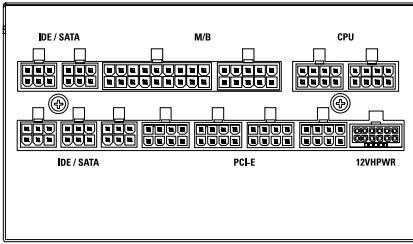
- 1x 24-pin mainboard (2x M/B)
- 2x 4+4-pin/8-pin CPU (CPU)
- 3x 6+2-pin PCIe (PCI-E)
- 5x SATA (IDE/SATA)
- 1x 12VHPWR

CABLE SET

QTY	Type	Cable	Connectors per Cable	Total Connectors
1	24-Pin Mainboard Connector	620 mm	1	1
1	4+4-Pin CPU Connector	730 mm	1	1
2	6+2-Pin PCIe Connector	550 mm 150 mm	2	4
1	8-Pin CPU Connector	730 mm	1	1
1	12VHPWR Connector	620 mm	1	1
4	SATA Connector	150 mm 550 mm 150 mm	3	12
2	IDE Connector	150 mm	1	2
1	Floppy Connector	150 mm	1	1

Connection Options

1300 WATT



- 1x 24-pin mainboard (2x M/B)
- 2x 4+4-pin/8-pin CPU (CPU)
- 4x 6+2-pin PCIe (PCI-E)
- 5x SATA (IDE/SATA)
- 1x 12VHPWR

CABLE SET

QTY	Type	Cable	Connectors per Cable	Total Connectors
1	24-Pin Mainboard Connector	620 mm	1	1
1	4+4-Pin CPU Connector	730 mm	1	1
4	6+2-Pin PCIe Connector	550 mm 150 mm	2	8
1	8-Pin CPU Connector	730 mm	1	1
1	12VHPWR Connector	620 mm	1	1
4	SATA Connector	150 mm 550 mm 150 mm	3	12
2	IDE Connector	150 mm	1	2
1	Floppy Connector	150 mm	1	1

Troubleshooting

If the power supply unit is not functioning correctly, check the following points:

1. Is the power cord correctly inserted into your wall outlet and the power supply unit?
2. Make sure the on/off switch is in the “I” position.
3. Check that the 24-pin mainboard connector and the 4+4-pin /8-pin CPU connector are correctly connected to the mainboard.
4. Check if the connectors of the cables are firmly plugged into the ports and headers of the peripheral hardware.
5. Pull the plug of the power cord out of your wall outlet and leave the power supply unit without power for approximately 10 minutes. This will cause a reset of the protective circuits.

If the system still fails to function, please contact support@sharkoon.com

Legal Disclaimer

For potential loss of data, especially due to inappropriate handling, Sharkoon assumes no liability.

All named products and descriptions are trademarks and/or registered trademarks of the respective manufacturers and are accepted as protected. As a continuing policy of product improvement at Sharkoon, the design and specifications are subject to change without prior notice. National product specifications may vary.

All rights reserved especially (also in extracts) for translation, reprinting, reproduction by copying or other technical means. Infringements will lead to compensation. All rights reserved especially in case of assignation of patent or utility patent. Means of delivery and technical modifications reserved.

Disposal of your old products

Your product is designed and manufactured with high quality materials and components, which can be recycled and reused.



When this crossed-out wheeled bin symbol is attached to a product, it means the product is covered by the European Directive 2012/19/EU.

Please be informed about the local separate collection system for electrical and electronic products. Please act according to your local rules and do not dispose of your old products with your normal household waste. The correct disposal of your old product will help prevent potential negative consequences to the environment and human health.

Follow us on



Facebook



Instagram



YouTube



TikTok



Twitter

Sharkoon Technologies GmbH

Grüniger Weg 48

35415 Pohlheim

Germany

© Sharkoon Technologies 2023

