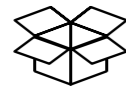
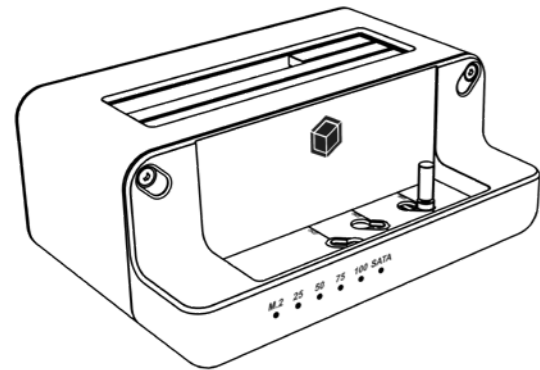


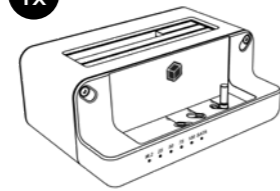


IB-2914MSCL-C31

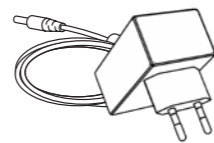
2.5"/3.5" & M.2 Docking & CloneStation



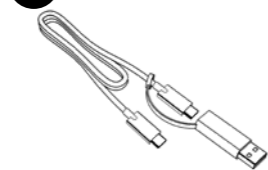
1x



1x



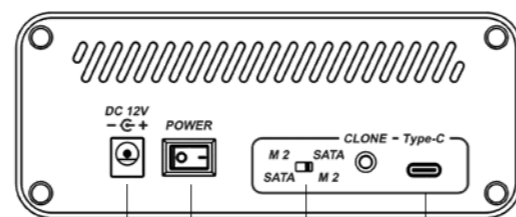
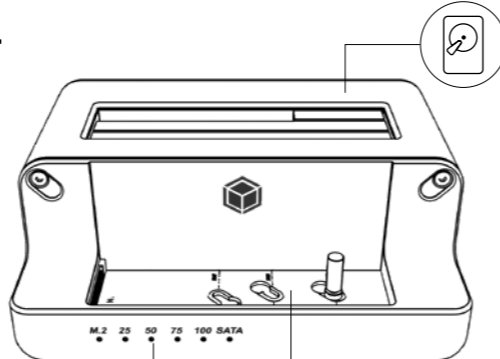
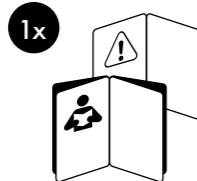
1x



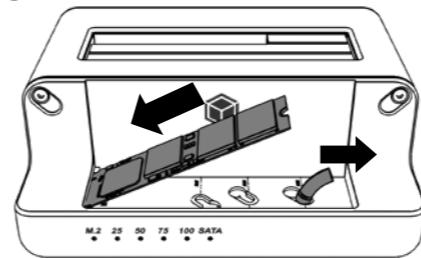
2x



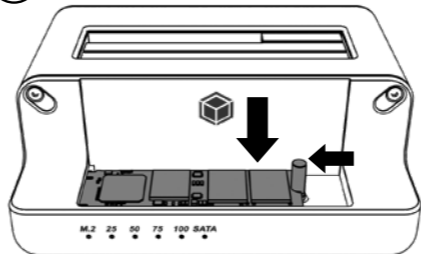
1x



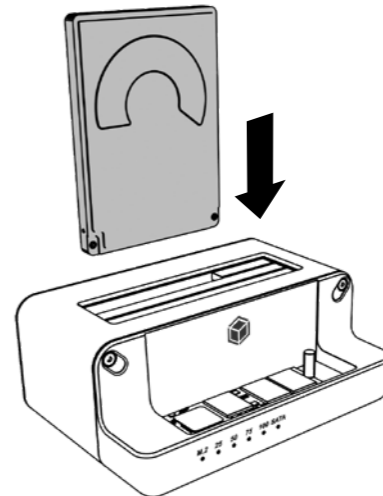
1



2



3



Legacy USB standards	Current USB standards	Data transfer rate
USB 3.0 = USB 3.1 (Gen 1)	= USB 3.2 Gen 1	= 5 Gbit/s
USB 3.1 = USB 3.1 (Gen 2)	= USB 3.2 Gen 2	= 10 Gbit/s
USB 3.2 (Gen 2x2)	= USB 3.2 Gen 2x2	= 20 Gbit/s



Nos produits et emballages se recyclent, ne les jetez pas! Trouvez où les déposer sur le site www.quefairedemesdechets.fr

© Copyright 2022 by RaidSonic Technology GmbH. All Rights Reserved. The information contained in this manual is believed to be accurate and reliable. RaidSonic Technology GmbH assumes no responsibility for any errors contained in this manual. RaidSonic Technology GmbH reserves the right to make changes in the specifications and/or design of the above-mentioned product without prior notice. The diagrams contained in this manual may also not fully represent the product that you are using and are there for illustration purposes only. RaidSonic Technology GmbH assumes no responsibility for any differences between the product mentioned in this manual and the product you may have. DisplayLink® is the registered trademark of DisplayLink Corp. in the EU, the US, and other countries. DisplayPort® and the DisplayPort® logo are trademarks owned by the Video Electronics Standards Association (VESA®) in the United States and other countries. The terms HDMI® and HDMI® High-Definition Multimedia Interface, and the HDMI® logo are trademarks or registered trademarks of HDMI® LA, Inc. in the United States and other countries. Apple and macOS are registered trademarks of Apple Computer Inc. Microsoft, Windows and the Windows logo are registered trademarks of Microsoft Corporation.

