



Radiator thermostat II

quick instructions

Product description

The intelligent radiator thermostat controls the valve on the radiator in order to offer you greater convenience for temperature control.

Description of the symbols



Caution!
Note about hazards



Note:
Additional important information



Note about the installation video

⚠ Safety instructions

- ▶ Do not charge used batteries, and do not attempt to reactivate them using heat or other means. Do not short-circuit batteries. Do not throw batteries into fire!

There is a risk of explosion!

- ▶ Make sure the polarity is correct when inserting the batteries! Only use batteries of the same type. Drained batteries must be removed from the device immediately. Remove batteries from the device if it is not used for a longer period of time.

Increased risk of leakage!

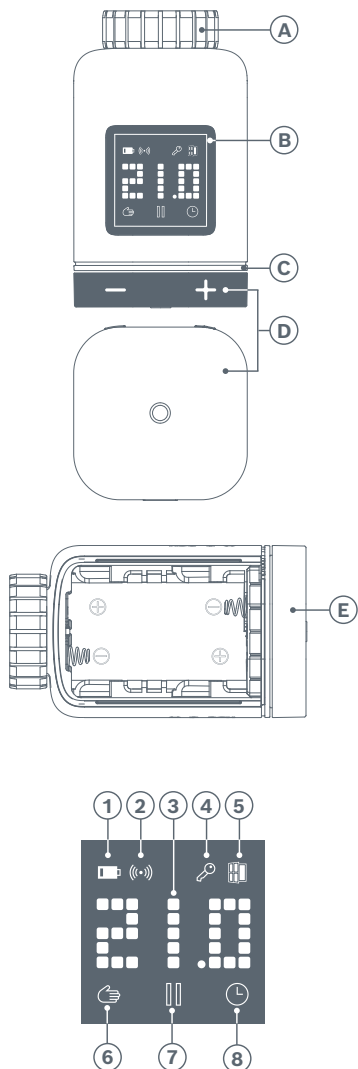
- ▶ The device is not a toy! Do not allow children to play with it. Never leave the packaging material lying around unattended. Plastic film and small parts may pose a danger to children.
- ▶ Store small cells and batteries which could be swallowed out of the reach of children. Swallowing can result in burns, perforation of the soft tissue and death. Severe burns can occur within 2 hours after swallowing. In the event that a cell or battery is swallowed, seek medical assistance immediately.
- ▶ When remotely or automatically controlling a device, it is not always possible to guarantee that commands are actually executed or that the correct device status is displayed in the app and on other Smart Home display devices because of external circumstances. This may lead to material damage and/or personal injury. Therefore, you must ensure to the greatest extent possible that no person is endangered at the time of remote operation or automated control. Please take special care when setting up or adjusting the remote control or when using the automated control and check the desired functionality at regular intervals.
- ▶ Do not open up the device. It does not contain any parts to be maintained by the user. If a fault occurs, have the device checked by a specialist.

- ▶ We accept no liability for material damage or personal injury which is caused by improper use or failure to observe the safety instructions. In these cases, any guarantee claim becomes void! We accept no liability for consequential damage.
- ▶ This device may be used by children from 8 years of age and by persons with reduced physical, sensory or mental capacities, or a lack of experience and knowledge provided these persons are supervised or have been instructed in the safe use of the device, and understand the corresponding risks.
- ▶ For safety and approval reasons (CE/UKCA), the device may not be modified and/or no changes may be made to the device without authorisation.
- ▶ Any use other than that which is described in the user manual is considered improper and leads to the exclusion of guarantee and liability.
- ▶ Do not use the device if it has damage visible from the outside, for example, to the housing, to control or connection elements, or if it has a malfunction. If in doubt, please contact our service team.
- ▶ Only operate the device indoors and do not expose it to moisture, vibrations, extreme cold temperatures and mechanical stress.
- ▶ Only operate the device in dry and dust-free environments without direct sunlight.
- ▶ Only use the device together with original components and recommended products from Bosch partners.

i Notes

- ▶ The range within buildings can differ significantly from the range in open spaces. In addition to the transmitting power and the receiving properties of the receiver, environmental factors such as humidity, as well as the local structural situation, play an important role.
 - ▶ The device is only suitable for use in residential environments.
 - ▶ The device is only intended for private use.
 - ▶ Please note that room temperature control via the radiator thermostat is designed for a double-pipe pressurised heating system with a flow and return pipe per radiator. Use in single-pipe heating systems may result in significant differences from the temperature which is set owing to fluctuations in the flow temperature.
-
- ▶ You can also use the explanatory video and additional information on our website as an additional aid for mounting, installing, starting up and restoring the factory settings on your Bosch Smart Home radiator thermostat II:
www.bosch-smarthome.com/rom/radiator-thermostat-2

Product overview



Item	Description	Explanation
A	Connection ring M 30 × 1.5 mm	Is screwed onto the radiator valve or adapter.
B	Display	Only switched on when operating
C	Status LED	Multi-coloured, complements the displays on the screen
D	Control knob	<ul style="list-style-type: none"> • Rotate in direction + or – , manually adjust the set temperature • Press o, confirmation of various operation procedures
E	Battery compartment	Make sure the polarity is correct when inserting the batteries!

Item	Description	Explanation/status
1	Battery status	Low battery charge
2	Wireless status	Wireless connection to the controller
3	Display area (adjustable via app)	Display set temperature and further information (status, device fault, etc.)
4	Child lock	Lock/unlock operation on the device: <ol style="list-style-type: none"> 1. Press o until LCK appears 2. Press + or – to change status 3. Press o to confirm
5	Ventilation detection	Open window detected, valve closed
6	Room control manual	No time programme active, room temperature is kept constant
7	Room control paused	Room control is inactive (heating break), frost protection is ensured
8	Room control automatic	Room temperature is changed according to the active time programme

The status LED (C) of the radiator thermostat supplements the display with application-specific flashing codes.

Status LED	Device status	Recommended action
Flashes orange	Pairing mode (is active) or device is communicating with the controller	Please wait
Flashes green	Pairing mode (successful) or process confirmed	
Flashes red	Pairing mode (not successful) or process failed	If this is the first pairing attempt, please try again. Otherwise observe the fault indication on the display and contact the service team if necessary.

i In normal operation, a plurality of further flashing sequences, also in other colours than those mentioned in the table, are possible.

i The device displays errors with a need for action in the display area (3). For an overview of possible error codes, see: www.bosch-smarthome.com/rom/radiator-thermostat-2

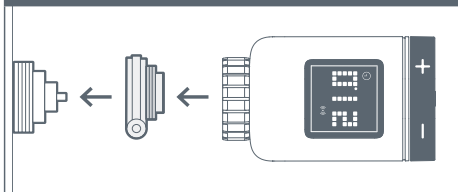
Mounting instructions

⚠ Property damage owing to defective heating system!
Mounting of the product on defective heating systems may result in damage to the product itself (e.g. owing to leaking hot water). Have an expert repair damage to the valves or to the heating system. Observe the maintenance intervals for your heating system including valves.

- ⚠** The standards and directives applicable in your country must be observed during planning, set-up, operation and maintenance.
- ⚠** In the event of visible damage to the existing thermostat, to the valve or to the heating pipes, please consult an expert.
- ⚠** Take care not to catch your fingers when screwing on the adapter!

- i** Mounting of the radiator thermostat is simple and can be done without draining the heating water or interfering with the heating system. Special tools or switching off the heating are not required.
- i** For some heating models, you need one of the adapters supplied or you need to purchase a specific adapter from a shop. For a detailed list of compatible radiator valves and information on required adapters, see:
www.bosch-smarthome.com/rom/radiator-thermostat-adapter

Typical assembly sequence with one adapter



Resetting to factory settings

You can reset the device to its factory settings as follows:

Remove a battery. Replace the battery while holding the “○” button. Hold the button pressed until the status LED rapidly flashes orange and “RES” appears on the display. Now release the button briefly and press and hold it again until the LED lights green and the notification on the display disappears. The device then restarts. Please note that it can take a few seconds until the thermostat is ready for operation again.

- i** When resetting to factory settings, the settings and information are only lost from the device and not from the Bosch Smart Home controller.
- i** To re-configure the device, first delete it in the device management section of the Bosch Smart Home app and then add it again in the usual configuring process.


Maintenance and cleaning


Removing or changing batteries

To remove or change the batteries, open the cover on the bottom of the device and remove both batteries. Take care to ensure the correct polarity when replacing them.


The device does not require maintenance. Leave any repairs to a specialist. Clean the device with a soft, clean, dry and lint-free cloth. When cleaning, do not use any cleaning agents containing solvents.


Simplified declaration of conformity

 Robert Bosch Smart Home GmbH hereby declare that the radio equipment type Bosch Smart Home BTH-RA corresponds with the directive 2014/53/EU. The complete text of the EU declaration of conformity is available via the following web address: <https://eu-doc.bosch.com>

 Robert Bosch Smart Home GmbH hereby declares that the radio system type BTH-RA complies with Regulation 2017. The full text of the declaration of conformity is available at the following internet address: <https://gb-doc.bosch.com>

Environmental protection and disposal

 Electrical or electronic devices which are no longer usable must be collected separately and disposed of via an environmentally friendly recycling facility (European Directive on Waste Electrical and Electronic Equipment). Use your country's specific return and collection systems when disposing of waste electrical or electronic devices.

 Used batteries do not go in the household waste! Dispose of them at your local battery collection point!

Open source software

This Bosch Smart Home product uses open-source software. License information for the components used can be found in the attached documents.

Technical data

Device type designation	BTH-RA
Protection class	IP20
Ambient temperature	0 °C ... + 50 °C
Humidity	10 % ... 80 %
Housing dimensions (W × H × D)	51 × 51 × 87 mm
Weight (without batteries)	135 g
Radio frequency band	2.4 – 2.4835 GHz
Radio protocol	ZigBee 3.0
Max. transmitting power	3 mW
Radio range in the open	< 50 m
Software class	A
Receiver category	2
Batteries	2 × LR6/Mignon/AA (alkaline)
Battery lifespan (typical)	< 2 years
Degree of soiling	2
Mode of operation	Type 1
Valve connection	M30 × 1.5 mm
Max. power consumption	220 mA / < 0.8 W

Technical modifications reserved

Service information

 Robert Bosch Smart Home GmbH
Schockenriedstraße 17
70565 Stuttgart-Vaihingen
Germany

 service@bosch-smarthome.com

 www.bosch-smarthome.com/service