

BTV-208  
INSTRUCTION MANUAL

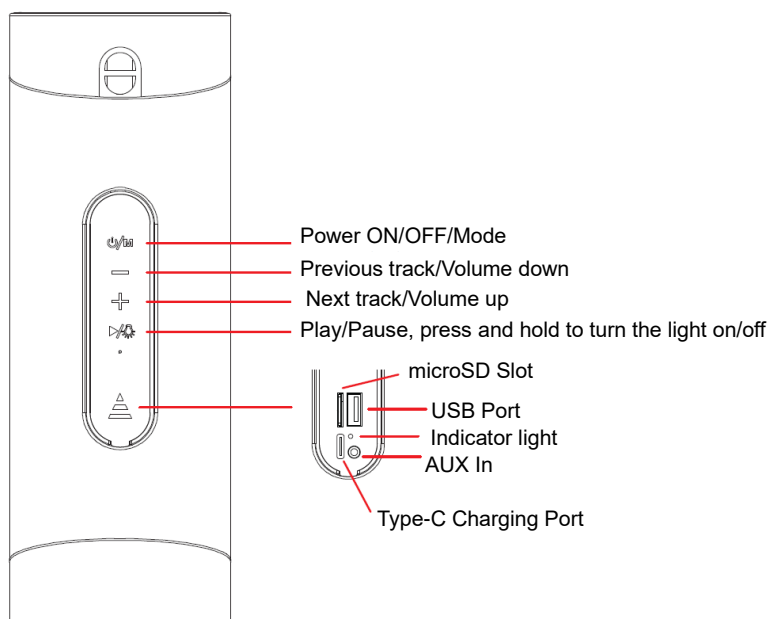
Safety information

Please read the safety instructions carefully before using the product for the first time and keep the instructions for future reference.

1. This product is not a toy. Keep it out of the reach of children.
2. Warning: This product includes a rechargeable lithium ion battery.
3. Keep product out of the reach of children and pets to avoid chewing and swallowing.
4. Product operating and storage temperature is from 0 degrees Celsius to 40 degrees Celsius. Environments under and above this temperature might affect functionality.
5. Never open the product. Do not touch the inside electronics, or you may get an electric shock. Repair or service are only to be performed by qualified personnel.
6. Do not expose to heat, water, dust (dusty environment), moisture, direct sunlight!
7. Please protect your ears against loud volumes. Loud volumes can damage your ears and lead to hearing loss.
8. Bluetooth wireless technology can only operate within a range of about 10 m (30 ft). The maximum communication distance may vary depending on the presence of obstacles (people, metal objects, walls, etc.) or the electromagnetic environment.
9. Microwaves emitted by a Bluetooth device may affect the operation of electronic medical devices.
10. The unit is not waterproof. If water or foreign objects enter the unit, it may result in fire or electric shock. If water or a foreign object enters the unit, stop using it immediately.
11. Only charge with the supplied USB cable.
12. Do not use non original accessories together with the product as this can make the product functionality abnormal.
13. Do not block the ventilation openings. The product needs them to disperse heat.

PLEASE READ ALL INSTRUCTIONS CAREFULLY AND RETAIN FOR FUTURE USE

## DESCRIPTION OF PARTS



### BTV-208 Wireless Speaker

#### Package Contents:


- Speaker
- Charging Cable
- Instruction Manual


#### TECHNICAL SPECIFICATIONS

- Bluetooth Version: V5.0
- Bluetooth Range: 10 Meters
- Battery: Built-in 1800 mAh Lithium Ion Battery
- Operating Time: approx. 3 - 4 hours
- Charging Time: approx. 2 - 3 hours
- Speaker Output Power: 2 x 5 W
- USB port and SD card slot for MP3 playback
- 3.5 mm audio input for connection of MP3 player, etc.
- LED light show

#### INSTRUCTIONS FOR USE

##### How it works:

1. Ensure the product is fully charged before first use
2. Press and hold the  button for three seconds to turn on the speaker.
3. Press the Mode button to choose between Bluetooth / USB / microSD card / Aux in modes.
4. To pair with your Bluetooth device, go to Bluetooth settings on your phone, search for 'BTV-208' and press "Connect". Once connected you will hear sound.




5. Press the  button to Play/Pause the music. Press and hold to turn the light on/off.
6. Press the “+” or “-” button to play the next / previous track.
7. Press and hold the “+” or “-” button to Increase / decrease the volume.

### **TWS CONNECTION:**

TWS connection is only available for two “BTV-208”speakers:

After turning the speakers on, press the “+” button on both speakers twice to pair for full stereo sound.

### **PHONE CALLS**

1. Press the  button to answer / end a phone call.
2. Press and hold the  button for 2 seconds to reject a phone call.
3. Press the  button twice to redial the last number.

### **ABOUT BATTTERIES**

#### **SPEAKER BATTERY**

**WARNING:** The device is equipped with a rechargeable lithium ion battery. The battery is integrated and cannot be replaced.

Do not attempt to remove the battery from the device.

Please notice - All products are subject to change without any notice. We take reservations for errors and omissions in the manual.

ALL RIGHTS RESERVED, COPYRIGHT **DENVER A/S**



Denver.eu



Electric and electronic equipment and included batteries contains materials, components and substances that can be hazardous to your health and the environment, if the waste material (discarded electric and electronic equipment and batteries) is not handled correctly.

Electric and electronic equipment and batteries is marked with the crossed out trash can symbol, seen above. This symbol signifies that electric and electronic equipment and batteries should not be disposed of with other household waste, but should be disposed of separately.

As the end user it is important that you submit your used batteries to the appropriate and designated facility. In this manner you make sure that the batteries are recycled in

accordance with legislature and will not harm the environment.

All cities have established collection points, where electric and electronic equipment and batteries can either be submitted free of charge at recycling stations and other collection sites, or be collected from the households. Additional information is available at the technical department of your city.

Hereby, DENVER A/S declares that the radio equipment type BTV-208 is in compliance with Directive 2014/53/EU. The full text of the EU declaration of conformity is available at the following internet address: **denver.eu** and then click the search ICON on topline of website. Write model number: BTV-208. Now enter product page, and RED directive is found under downloads/other downloads.

Operating Frequency Range: 55 Hz - 20 kHz

Max Output Power: 2 x 5 W

Bluetooth Frequency: 2402 MHz - 2480 MHz

Warning: Lithium battery inside

**Denver A/S**

Omega 5A, Soeften

DK-8382 Hinnerup

Denmark

**facebook.com/denver.eu**