

Owner's Manual
Instrukcja obsługi
Návod k použití
Navodila za uporabo
Használati útmutató
Upute za upotrebu

Instrucțiune de deservire
Инструкция за употреба
Οδηγίες χρήσης
Kasutusjuhend
Naudojimo instrukcijos
Užívateľská príručka



Enjoy it.

Bluetooth CD Boombox

Important Safety Instructions


CAUTION

RISK OF ELECTRIC SHOCK DO NOT OPEN

Caution:

To reduce the risk of electric shock, do not remove cover (or back). No user serviceable parts inside. Refer servicing to qualified service personnel.

Explanation of Graphical Symbols:



The lightning flash within an equilateral triangle is intended to alert you to the presence of uninsulated dangerous voltage within the product's enclosure that may be of sufficient magnitude to constitute an electric shock to a person or persons.



The exclamation point within an equilateral triangle is intended to alert you to the presence of important operating and maintenance (servicing) instructions in the literature accompanying the product.

To achieve the utmost in enjoyment and performance, and in order to become familiar with its features, please read this manual carefully before attempting to operate this product. This will assure you years of trouble free performance and listening pleasure.

Important Notes

- This safety and operating instruction should be retained for future reference.
- The apparatus should not be exposed to dripping or splashing or placed in a humid atmosphere such as a bathroom.
- Do not install the product in the following areas:
- Places exposed to direct sunlight or close to radiators.
- On top of other stereo equipment that radiate too much heat.
- Blocking ventilation or in a dusty area.
- Areas where there is constant vibration.
- Humid or moist places.
- Do not place near candles or other naked flames.
- Operate the product only as instructed in this manual.
- Before turning on the power for the first time, make sure the power adaptor is properly connected.
- Plug-in the USB stick directly or use a USB-extension cable which is not longer than 25 cm.

For safety reasons, do not remove any covers or attempt to gain access to the inside of the product. Refer any servicing to qualified personnel.

Do not attempt to remove any screws, or open the casing of the unit; there are no user serviceable parts inside. Refer all servicing to qualified service personnel.

SAFETY INSTRUCTIONS

1. Read Instructions - All the safety and operating instructions must be read before the product is operated.
2. Retain Instructions - The safety and operating instructions should be kept with the product for future reference.
3. Heed warnings - All warnings on the product and in the operating instructions should be adhered to.
4. Follow instructions - All operating and users' instructions should be followed.
5. Installation - Install in accordance with the manufacturer's instructions.
6. Power sources - This product should be operated only from the type of power source indicated by the marking adjacent to the power cord entry. If you are not sure of the type of power supply to your home, consult your product dealer or local power company.
7. Grounding or polarization - the product is not required to be grounded. Ensure that the plug is fully inserted into the wall outlet or extension cord receptacle to prevent blade or pin exposure. Some versions of the product are equipped with a power cord fitted with a polarized alternating line plug (a plug having one blade wider than the other). This plug will fit onto the power outlet only one way. This is a safety feature. If you are unable to insert the plug fully into the outlet, try reversing the plug. If the plug should still fail to fit, contact your electrician to replace your obsolete outlet. Do not defeat the safety purpose of the polarized plug. When using an extension power-supply cord or a power-supply cord other than that supplied with the appliance, it should be fitted with the appropriate molded plugs and carry safety approval appropriate to the country of use.
8. Power cord protection - Power-supply cords should be routed so that they are not likely to be walked on, kinked or pinched by items placed on or against them, paying particular attention to cords from plugs, receptacles and the point where they exit from the product.
9. Overloading - Do not overload wall outlets, extension cords, or multiple sockets, as this can result in a risk of fire or electric shock.
10. Ventilation - The product must be properly ventilated. Do not place the product on a bed, sofa, or other similar surface. Do not cover the product with any items such as tablecloths, newspapers, etc.
11. Heat - The product should be situated away from heat sources such as radiators, heat registers, stoves, or other products, including amplifiers that produce heat. No naked flame sources, such as lighted candles, should be placed on the apparatus.
12. Water and moisture - To reduce the risk of fire or electric shock, do not expose the product to rain, dripping, splashing or excessive moisture such as in a sauna or bathroom. Do not use this product near water, for example, near a bathtub, washbowl, kitchen sink, laundry tub, in a wet basement or near a swimming pool (or similar).

13. Object and Liquid Entry - Never push objects of any kind into this product through openings, as they may touch dangerous voltage points or short-circuit parts that could result in a fire or electric shock. Never spill liquid of any kind on the product. Do not place any object containing liquid on top of the product.
14. Cleaning - Unplug the product from the wall outlet before cleaning. Dust in the woofer may be cleaned with a dry cloth. If you wish to use an aerosol cleaning spray, do not spray directly on the cabinet; spray onto the cloth. Be careful not to damage the drive units.
15. Attachments - Do not use attachments not recommended by the product manufacturer, as they may cause hazards.
16. Accessories - Do not place this product on an unstable cart, stand, tripod, bracket or table. The product may fall, causing serious injury to a child or adult, and serious damage to the product. Use only with a cart, stand, tripod, bracket or table recommended by the manufacturer or sold with the product. Any mounting of the product should follow the manufacturer's instructions and should use a mounting accessory recommended by the manufacturer.
17. Moving the product - A product and cart combination should be moved with care. Quick stops, excessive force and uneven surfaces may cause the product and cart combination to overturn.
18. Unused periods - The power cord of the appliance should be unplugged from the outlet during lightning storms or when the apparatus is left unused for a long period of time.
19. Servicing - Do not attempt to service this product yourself, as opening or removing covers may expose you to dangerous voltage or other hazards. Refer all servicing to qualified service personnel.
20. Please remove the power plug from the main power source or wall power source when not in use. When plugged in to a power source, the system is in standby mode, so the power is not entirely cut off.
21. Replacement parts - When replacement parts are required, ensure that the service technician has used replacement parts specified by the manufacturer or have the same characteristics as the original part. Unauthorized substitutions may result in fire, electric shock or other hazards.
22. Mains fuses - For continued protection against fire hazard, use fuses only of the correct type and rating. The correct fuse specification for each voltage range is marked on the product.
23. Do not turn up the volume while listening to a section with very low level inputs or no audio signals. If you do, the speaker may be damaged when a peak level section is suddenly played.
24. The only means of completely disconnecting the product from the power supply is by removing the power cord from the wall outlet or the product. The wall outlet or the power cord entry to the product must remain freely accessible at all times while the product is in use.
25. Try to install the product near a wall socket or extension cord and shall be easily accessible.
26. The highest environmental temperature suitable for this product is 35°C.
27. ESD hints - If the product maybe reset or not reset to operation of control due to electrostatic discharge, just switch off and reconnect again, or move the product to another location.
28. Battery
 - a. The batteries must not be exposed to excessive heat such as sunshine, fire or the like.
 - b. The batteries should be drawn to the environmental aspects of battery disposal.
 - c. Battery usage CAUTION-to prevent battery leakage which may result in body injuries, property damage, or damage to the apparatus:
 - . Install all batteries correctly, + and – as marked on the apparatus.
 - . Do not mix batteries (old and new or carbon and alkaline, etc.)
 - . Remove batteries when the unit is not used for a long time.

ERP2 (Energy Related Products) note

This product with ecodesign complies with the stage 2 requirements of Commission Regulation (EC) NO. 1275/2008 implementing Directive 2009/125/EC regard to standby and off mode electric power consumption of electronic household and office equipment. After 15 minutes without any audio input, the device will automatically switch into standby mode. Follow up the instruction manual to resume the operation.

Important note:

This device is equipped with an energy saving mode: if no signal is given during 15 minutes the device will switch automatically into standby mode in order to save energy (ERP 2 standard). Please note that low volume setting in the audio source may be recognized as "no audio signal": this will affect the capability of signal detection from the device and can also originate an automatic switch into standby mode. If this happens please reactivate the audio signal transmission or increase the volume setting on the audio source player (MP3 player, etc.), in order to resume playback. Please contact the local service center if the problem remains.

WARNING

This appliance is not intended for use by persons (including children) with reduced physical sensory or mental capabilities, or lack of experience and knowledge, unless they have been given supervision or instruction concerning use of the appliance by a person responsible for their safety. Children should be supervised to ensure that they do not play with the appliance.

1. Never use the device unsupervised! Switch off the device whenever you are not using it, even if this only for a short while.
2. The appliance is not intended to be operated by means of an external timer or separate remote control system.
3. If the supply cord is damaged, it must be replaced by the manufacturer, its service agent or similarly qualified persons in order to avoid a hazard.
4. Before operating this system, check the voltage of this system to see if it is identical to the voltage of your local power supply.

5. The unit should not be impeded by covering the ventilation opening with items such as newspaper, table-cloths, curtains etc. Make sure that there are at least 20 cm of space above and at least 5 cm of space on each side of the unit.
6. The apparatus must not be exposed to dripping or splashing and that objects filled with liquids, such as vases, must not be placed on the apparatus.
7. To prevent fire or shock hazard, do not expose this equipment to hot places, rain, moisture or dust.
8. Do not locate this unit near any water sources e.g. taps, bathtubs, washing machines or swimming pools. Ensure that you place the unit on a dry, stable surface.
9. Do not place this unit close to a strong magnetic field.
10. Do not place the unit on an amplifier or receiver.
11. Do not place this unit in a damp area as the moisture will affect the life of electric components.
12. If the system is brought directly from a cold to a warm location, or is placed in a very damp room, moisture may condense on the lens inside the player. If this occurs, the system will not operate properly. Please leave the system turned on for about an hour until the moisture evaporates.
13. Do not attempt to clean the unit with chemical solvents as this might damage the finish. Wipe with a clean, dry or slightly damp cloth.
14. When removing the power plug from the wall outlet, always pull directly on the plug, never pull on the cord.
15. Depending on the electromagnetic waves used by a television broadcast, if a TV is turned on near this unit while it is also on, lines might appear on the TV screen. Neither this unit nor the TV is malfunctioning. If you see such lines, keep this unit well away from the TV set.
16. The mains plug is used as the disconnect device, the disconnect device must remain readily operable.
17. To keep the laser pickup clean, do not touch it, and always close the disc tray.
18. During playback, the disc rotates at high speed. DO NOT lift or move the unit during playback, doing so may damage the disc or the unit.
19. When changing places of installation or packing the unit for moving, be sure to remove the disc and return the disc tray to its closed position in the player. Then, press switch to turn the power off and disconnect the power cord. Moving this unit with the disc loaded may result in damage to this unit.
20. Put discs back in their case after playing them. Never expose discs to direct sunlight or heat sources. Never leave discs inside a car parked in full sunlight.
21. Do not touch the playback side of disks. Hold discs by the edges to avoid leaving fingerprints on the surface. Any dust, fingerprints or scratches may cause a malfunction. Never attach a label or sticky tape to the disc.
22. Use a clean soft lint-free cloth to clean the disc, working from the center outwards in a straight line, thinners, commercially available cleaners or anti static sprays for vinyl discs.
23. To prevent possible hearing damage, do not listen at high volume levels for long periods.



WARNING: DANGER OF RADIATION

CLASS 1 LASER PRODUCT
LUOKAN 1 LASERLAITE
KLASS 1 LASERAPPARAT

This label means that this unit contains a laser component. Opening the CD compartment lid and defeating the safety interlocks will expose the user to radiation from the laser beam. Do not stare into the laser while it is operating.

BEFORE OPERATION

Notes: Concerning compact discs.



Since dirty, damaged or warped discs may damage the appliance, care should be taken of the followings items:

- a. Usable compact discs. Use only compact disc with the mark shown below.
- b. CD compact disc only with digital audio signals.

NOTICE



Conformity

Hereby, Blaupunkt Competence Center 2N-Everpol Sp. z o.o., declares that this equipment is in compliance with the essential requirement and other relevant provisions of Directive 2014/53/EU. Declaration of conformity can be obtained from the product page at www.blaupunkt.com.

Responsible party: 2N-Everpol Sp. z o.o., Puławska 403A, 02-801 Warsaw, Poland, Phone: +48 22 331 99 59, E-mail:

info@everpol.pl



Your products is designed a manufactured with high quality materials and components, which can be recycled and reused.



When this crossed-out wheeled bin symbol is attached to a product it means that the product is covered by the European Directive 2002/96/EC. Please inform yourself about the local separate collection system for electrical and electronic products. Please act according to your local rules and do not dispose of your old products with your normal household waste. Correct disposal of your old product helps to prevent potential negative consequences for the environment and human health.



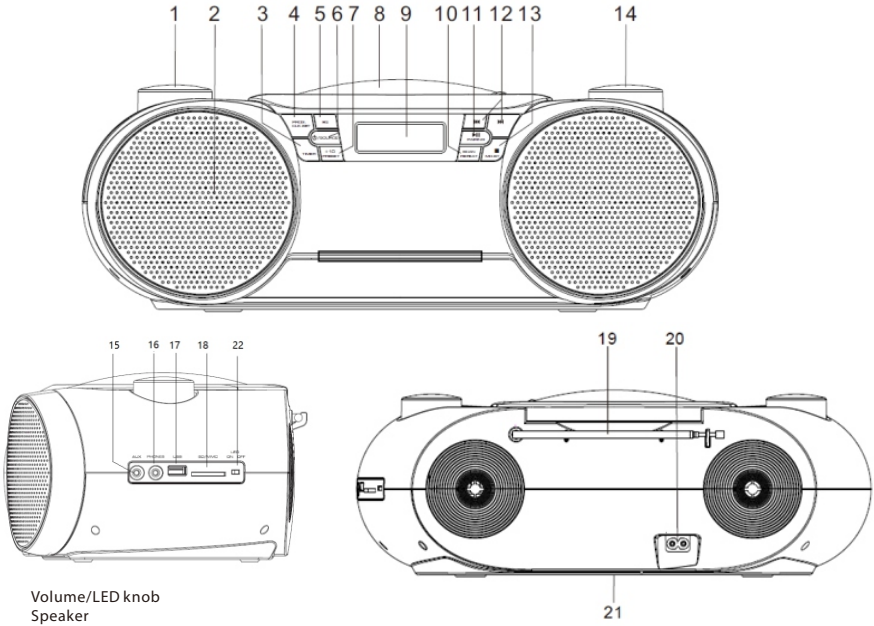
Your product contains batteries covered by the European Directive 2006/66/EC, which cannot be disposed with normal household waste. Please inform yourself about the local rules on separate collection of batteries because correct disposal helps to prevent negative consequences for the environment and human health.
Environmental information

All unnecessary packaging has been omitted. We have tried to make the packaging easy to separate into three materials: cardboard (box), polystyrene foam (buffer) and poly ethylene (bags, protective foam sheet). Your system consists of material which can be recycled and reused if disassembled by a specialized company. Please observe the local regulations regarding the disposal of packaging materials, exhausted batteries and old equipment.
Recording and playback of material might require consent. See Copyright Act 1956 and The Performer's Protection Acts 1958 to 1972.



The Bluetooth® word mark and logos are registered trademarks owned by Bluetooth SIG, Inc. and any use of such marks by us is under license. Other trademarks and trade names are those of their respective owners.

Location of controls



1. Volume/LED knob
2. Speaker
3. Timer
4. Program/ clock set
5. EQ(nomal/rock/POPS/Jazz/classic)
6. Power/ Source
7. +10/ preset
8. CD door
9. LCD display
10. Scan/ Repeat(repeat one/repeat all/random)
11. Play/pause, pairing
12. Previous , next
13. stop/mono stereo
14. Tuning knob
15. Aux-in jack
16. Earphone jack
17. USB port
18. SD/MMC card slot
19. FM Antenna
20. AC socket
21. Battery compartment
22. LED ON/OFF

Power source and connection

AC operation: using the supplied power cable connect the AC port on the rear panel of unit, then Insert the power plug into the household AC wall-mount socket in order get the power source.

DC operation(battery power): open the battery door and insert 8pcs x UM1/1.5V batteries(not include) according to the engraved positive and negative polarity symbol. Then recover the battery door.The display will light up after power connection successful. Press the power/source button to switch the play mode, press and hold the power/souce button 2 seconds to power off(standby mode) the unit. The batteries power will be disconnected automatically once AC power is available.

Notes:

- a. The sound will become distortion due to low or exhausted battery power, please replace it with fresh battery. Please disposal the battery in environmental friendly way, please reference and follow the requirement by your local government.
- b. Please do not install the battery with mix up brand; please take out the battery in case of no operation in a long time to avoid liquid leakage issue.

Clock and alarm setting

Clock setting: press and hold power/source button 2 seconds enter to standby mode, press and hold program/clock set button 2 seconds to start the setting, press the previous/next button to switch the time format between 12/24 hours, press program/clock set button again to confirm the selection, repeat previous operation to set up the hour and minute.

Alarm setting: in standby mode, press and hold the timer button 2 seconds to start and make the hour digits flare on display; Press the previous/next button to adjust the hours and press the timer button again to confirm the selection; repeat the previous operation to set up the minute/alarm source(CD/USB/SD/BUZZ/FM)/alarm volume etc.

- The clock and alarm is only working when there have available source. Please set up the clock and alarm again in case of power interrupted.
- Short press the timer button in standby mode can turn on or off the alarm.
- When the alarm is activate and ring up, short press the power/source or timer button to cancel the alarm voice, and there will wake up you again when the alarm time is being next day.
- The alarm voice duration time is 5 minutes if you did not cancel the sound.
- When you selected CD/USB/SD as alarm source, please make sure the relative device is available, otherwise, there will switch to buzz.

CD operation

This unit can playback CD disc which is under CD/CD-R/CD-RW/MP3 format. Before start the playback, please check the CD disc format first, and make sure the CD disc is clean and no damages.

CD playback: Open the CD door and load a CD disc, then close the door. Press the power/source button switch to CD mode; then the unit will read out the CD and get sound output automatically.

In CD playback mode, turn the volume knob to adjust the volume output level; press the play/pause button to pause or resume the playback; press stop button for playing stop; short press the previous and next button to select the track, press hold and release it for fast-forwarding or fast-rewinding playback selection; Press the repeat button for repeat one/repeat all/random selection; Short press the +10 button to select the playing per 10 tracks; press the EQ button to switch the equalizer.

Programming playback (up to 20 tracks for CD disc, and 99 tracks for MP3 disc): press the stop button to stop the CD playback first; press the program button to start programming; the display will show " P01 " and " PROG "; press the previous and next button to switch and select the track which you desire to be programmed, then press the program button to confirm the selection; and the track will be saved as P01. Repeat the operation till "FUL" show on display which mean the programming memory is full. Press the play/pause button to play the programmed track; open the CD door or press the stop button twice to cancel and remove the programmed CD.

Radio operation

Before start the radio operation, please kindly full extent the FM antenna and try to put the unit next to the window in order to get better signal and reception.

Scan and auto scan: press and hold previous/next button 2 seconds to auto scan the available station in upward or downward frequency; press scan/repeat button to auto scan and save the available station. (Max supported preset station up to 40). Press the preset button to pick up and switch the preset station.

Station manual memory: When you tuned a favourite station by rotate the tuning knob or scan; press the program/clock set button first, then rotate the tuning knob to select the preset station number which you desire to be saved, press the program/clock set button to confirm the selection; repeat the operation to save other station.

In FM radio mode, press the stop/Mono stereo button can switch the output; you can switch to mono output for listening in case of weak signal station.

USB/SD card playback operation

Before start the USB/SD card playback operation, please copy the MP3 audio file into the device (max supported device up to 32GB), then insert the device into the USB/SD card port properly.

Press the power/source button repeatedly enter to the USB/SD mode, then the unit will auto decode the audio file and get sound output after a while.

In USB mode, press the play/pause button to pause or resume the playback; press stop button for playing stop; short press the previous and next button to select the track, press hold and release it for fast-forwarding or fast-rewinding playback selection; press the repeat button for repeat one/repeat all/random selection; short press the +10 button to switch the playing per 10 tracks, press the EQ button to switch the equalizer.

Note:

- Using an extension cable for USB stick connection and playback is not recommended due to audio signal transfer which may cause sound output intermittently
- Not guarantee all USB/SD card devices are supported due to different design and brand.
- Not guarantee all MP3 audios can playback successfully.

Bluetooth operation

The unit includes Bluetooth function which can wireless playback the audio with other device. Pairing: Press the power/source button repeatedly till the "BT" show on display. Then enable the Bluetooth function from your device like smart phone etc (reference your device's manual for the detail operation), check the available Bluetooth device list on your device and select "BP BB31LED"; there will have a notice sound come out from speaker after pairing successfully; then select and play the music from your device, and there will get sound output from speaker.

In Bluetooth mode, press the play/pause button to pause or resume the playback; press previous/next button to select the track; press the pairing button 2 seconds to disconnect the connection with current device, and the speaker will ready for pairing with others.

Notes:

- Not all Bluetooth devices are guaranteed to pair successfully due to different brand and design.
- The best working distance for Bluetooth operation is within 10 meters without any obstacle.
- In case of an incoming phone call, the Bluetooth playback will stop temporarily, and resume after you end the phone call.

AUX IN/Line in/MP3 Link operation

Using the 3.5mm to 3.5mm stereo audio cable (not include) connect the AUX IN jack on the rear panel of unit with other player (like MP3 player etc.). Press power/source button repeatedly enter to AUX IN mode; Select and play the music from your player, then the sound will output from unit. Please kindly note the main control is on your player side, but you can adjust the volume level on the speaker side.

Headphone: in playing mode(CD/USB/SD/AUX/Bluetooth/radio), plug on the headphone through the headphone jack on the rear panel of unit can mute the sound, but output from headphone automatically.

Sleep: in playing mode, press the timer button repeatedly to switch the sleep minutes between 10/20/30/40/50/60/70/80/90/off. The unit will auto off when the sleeping time is being.

Switching LED lighting ON/OFF

Press and slide the LED on/off switch on the rear panel of the device to turn the LED lighting on or off. A short press of the volume knob allows the colour and LED lighting mode to be chosen (there are 8 modes available and the option to turn it off).

Specification

Power source:	AC 100-230V~/50Hz;
DC 12V battery power(8pcs x UM1 size, 1.5V; battery not include);	
FM frequency:	87.5~108.0MHz;
Supported disc:	CD, CD-R, CD-RW, MP3-CD, WMA-CD
RMS power output:	2 x 6Watt;
USB rating output:	5V/500mA(not for charging);
USB supported:	up to 32GB, MP3 audio file;
Bluetooth:	Version EDR + 4.2; best working distance with 10 meters.
Power consumption:	14W
Standby power consumption:	< 1W

(the above spec may update without prior notice)

Trouble shooting

- Cannot power on the unit.
 - Please check if the DC power has connected properly.
 - Please contact the service center for support in case of the problem remains.
- The radio station sounds not good.
 - Please move the unit next to window or adjust the direction of antenna in order to get better reception.
 - Please try switch to another station for listening.
 - Please contact the service center for support in case of the problem remains.
- The unit cannot read out the CD disc or USB stick.
 - Please double check if the CD disc or audio file format is correct or not.
 - Please contact the service center for support in case of the problem remains.
- The Bluetooth sound output intermittently.
 - Please try to move your Bluetooth device more close to the unit.
 - Please turn off the Bluetooth and pair it again.

Ważne instrukcje dotyczące bezpieczeństwa



PRZESTROGA



ZAGROŻENIE PORAZIENIEM ELEKTRYCZNYM
NIE OTWIERAĆ

Przeostroga:

Aby zmniejszyć ryzyko porażenia prądem, nie wolno demontować pokrywy ani tylnej części urządzenia. Wewnątrz urządzenia nie znajdują się elementy przeznaczone do samodzielnej naprawy przez użytkownika. Konserwacją i naprawą sprzętu zajmują się wyłącznie wykwalifikowani pracownicy serwisu.

Objaśnienie symboli graficznych:



Symbol błyskawicy zakończonyj strzałką umieszczonej w trójkącie równobocznym ostrzega użytkownika przed nieizolowanym, „niebezpiecznym napięciem” w obrębie obudowy urządzenia, które może osiągnąć wielkość grożącą porażeniem prądem elektrycznym.



Znak wykrzyknika w trójkącie równobocznym ostrzega użytkownika, że w tym momencie przedstawione są ważne informacje dotyczące obsługi i konserwacji sprzętu w dokumentacji, dołączonej do urządzenia.

Prosimy o przeczytanie tej instrukcji przed przystąpieniem do obsługi urządzenia, aby zapoznać się z jego funkcjami i wykorzystać je zgodnie z przeznaczeniem. Zapewni to długotrwałą, bezawaryjną obsługę urządzenia i przyjemność z użytkowania.

Ważne informacje

- Należy zachować instrukcję obsługi oraz informacje dotyczące bezpieczeństwa w celu wykorzystania ich w przyszłości.
- Nie należy dopuszczać do tego, aby na urządzenie kapala lub wylewała się ciecz. Nie wolno też używać go w wilgotnych miejscach, jak np. łazienka.
- Nie wolno instalować tego urządzenia w następujących miejscach:
 - Wystawionych na bezpośrednie działanie promieni słonecznych lub w pobliżu grzejników.
 - Kłaść go na wierzchu innego sprzętu stereofonicznego który wydziela ciepło.
 - Blokując wentylację lub w zapyłonym miejscu.
 - W miejscach narażonych na ciągłe drgania.
 - W miejscach o wysokiej wilgotności.
- Nie wolno stawiać urządzenia w pobliżu świec lub otwartego ognia.
- Urządzenia można używać wyłącznie w sposób opisany w niniejszej instrukcji.
- Przed pierwszym włączeniem zasilania należy upewnić się, że zasilacz został prawidłowo podłączony.
- Pamięć USB podłącza się bezpośrednio lub przy użyciu przedłużacza USB o długości do 25 cm

Ze względów bezpieczeństwa nie należy demontować obudów ani uzyskiwać dostępu do wnętrza urządzenia. Urządzenie powinno być naprawiane przez wykwalifikowany personel serwisu.

Nie wolno rozkręcać urządzenia ani otwierać jego obudowy, gdyż wewnątrz nie ma żadnych części, które mogłyby być naprawiane przez użytkownika. Konserwacją i naprawą sprzętu zajmują się wyłącznie wykwalifikowani pracownicy serwisu.

INSTRUKCJE DOTYCZĄCE BEZPIECZEŃSTWA

- Przeczytać instrukcję — przed korzystaniem z urządzenia należy przeczytać całość instrukcji obsługi oraz informacje o bezpieczeństwie.
- Zachować instrukcje — należy zachować instrukcje użytkowania i obsługi w celu wykorzystania ich w przyszłości.
- Przestrzegać ostrzeżeń — należy postępować zgodnie z wszystkimi ostrzeżeniami zamieszczonymi na urządzeniu oraz zgodnie z instrukcją obsługi.
- Przestrzegać instrukcji — należy postępować zgodnie z instrukcją obsługi oraz wskazówkami dla użytkownika.
- Instalacja — należy ustawić urządzenie zgodnie z instrukcjami producenta.
- Źródła zasilania – urządzenie powinno być zasilane wyłącznie ze źródeł o parametrach podanych na oznaczeniach na kablu zasilania. Jeżeli użytkownik nie jest pewien, jakiego rodzaju zasilaniem dysponuje w domu, powinien skontaktować się ze sprzedawcą urządzenia lub lokalnym dostawcą energii elektrycznej.
- Uziemienie lub polaryzacja zasilania — urządzenie nie musi być uziemione. Należy upewnić się, że wtyczka jest do końca włożona do gniazdka sieciowego lub przedłużacza, aby nie dopuścić do odślonienia bolców lub styków. Niektóre wersje urządzenia mogą być wyposażone w spolaryzowaną wtyczkę prądu przemiennego (z jednym bolcem szerszym). Tę wtyczkę można włożyć do gniazdka sieciowego tylko w jeden sposób. Jest to funkcja zabezpieczająca. Jeśli nie można włożyć wtyczki do gniazdka, należy spróbować ją odwrócić. Jeśli wtyczka nadal nie pasuje do gniazdka, należy zlecić elektrykowi jego wymianę. Nie wolno zdejmować z zabezpieczeń z wtyczki spolaryzowanej. Gdy korzysta się z przedłużacza lub kabla zasilania innego niż dostarczony razem z urządzeniem, powinny mieć właściwe wtyczki oraz atest bezpieczeństwa wymagany w danym kraju.
- Zabezpieczenie kabla zasilania — kable zasilania należy poprowadzić w taki sposób, aby nie można było po nich chodzić, przycisnąć lub przyciąć postawionymi przedmiotami. Zwrócić szczególną uwagę na wtyczki, gniazdka sieciowe i miejsca, w którym kable są wyprowadzone z urządzenia.
- Przeciążanie — nie wolno przeciążać gniazdek ściennych, przedłużaczy i rozdzielaczy elektrycznych, ponieważ grozi to wybuchem pożaru lub porażeniem prądem elektrycznym.
- Wentylacja — urządzenie musi być poprawnie wentylowane. Nie wolno ustawiać urządzenia na łóżku, sofie lub podobnych powierzchniach. Nie wolno przykrywać urządzenia obrusami, serwetkami, gazetami itd.

11. Ciepło — nie ustawiać urządzenia w pobliżu źródeł ciepła, takich jak grzejniki, promienniki, piece lub innych urządzeń (również wzmacniacze) wytwarzających ciepło. Nie stawiać na urządzeniu zapalonych świecy i innych źródeł otwartego ognia.
12. Woda i wilgoć — aby zmniejszyć zagrożenie pożarem lub porażeniem elektrycznym, nie wolno narażać urządzenia na bezpośrednie działanie deszczu, wody i wilgoci, jak np. w saunie czy w łazience. Nie używać niniejszego urządzenia w pobliżu wody, na przykład obok wanny, umywalki, zlewu kuchennego lub balii, w wilgotnej piwnicy lub w pobliżu basenu (lub w podobnych miejscach).
13. Przedmioty i ciecz w urządzeniu — nie należy wciskać jakichkolwiek przedmiotów przez otwory urządzenia, ponieważ mogą one zetknąć się z punktami niebezpiecznego napięcia i podnieść pożar lub porażenie prądem. Pod żadnym pozorem nie należy rozlewać jakichkolwiek cieczy na powierzchni urządzenia. Nie wolno kłaść na wierzchu urządzenia przedmiotów zawierających ciecz.
14. Czyszczenie — należy zawsze odłączyć urządzenie od gniazdka sieciowego przed czyszczeniem. Kurz dookoła głośnika można usunąć suchą szmatką. Jeśli do czyszczenia ma być użyty aerosol, nie należy kierować rozpylanego strumienia bezpośrednio na urządzenie, ale na szmatkę. Należy uważać, aby nie uszkodzić jednostek napędowych.
15. Wyposażenie dodatkowe — nie wolno używać akcesoriów, które nie są dopuszczone przez producenta, gdyż mogą stwarzać zagrożenie.
16. Akcesoria — nie wolno ustawiać urządzenia na niestabilnym wózku, stojaku, statywie, wsporniku czy stole. Urządzenie może ulec przewróceniu i uszkodzeniu oraz spowodować poważne obrażenia u dziecka lub osoby dorosłej. Należy używać wyłącznie wózków, stojaków, statywów, wsporników i stołów określonych przez producenta albo sprzedawanych wraz z urządzeniem. Montaż urządzenia należy przeprowadzać zgodnie z instrukcjami producenta, przy użyciu zestawu montażowego zalecanego przez producenta.
17. Przenoszenie urządzenia — urządzenie umieszczone na wózku należy przesuwać bardzo ostrożnie. Gwałtowne zatrzymanie, zbyt duża siła lub nierówne powierzchnie mogą spowodować przewrócenie wózka wraz z urządzeniem.
18. Okres nieużywania urządzenia — kabel zasilania urządzenia należy odłączyć od gniazdka sieciowego w trakcie burz z wyładowaniami atmosferycznymi lub gdy urządzenie nie będzie używane przez dłuższy czas.
19. Serwisowanie — nie należy próbować własnoręcznie przeglądać urządzenia. Otwieranie pokrywy może spowodować kontakt z niebezpiecznym napięciem i narazić użytkownika na inne niebezpieczeństwa. Konserwacją i naprawą sprzętu zajmują się wyłącznie wykwalifikowani pracownicy serwisu.
20. Gdy urządzenie nie jest używane, należy odłączyć jego wtyczkę zasilania od gniazdka sieciowego. Gdy urządzenie jest podłączone do źródła zasilania, znajduje się w trybie czuwania i nie jest całkowicie wyłączone.
21. Części zamienne — przy wymianie części należy sprawdzić, czy pracownik serwisu użył części zamiennych zalecanych przez producenta lub też czy części są identyczne jak część oryginalna. Dokonywanie wymiany na niezatwierdzone części grozi wybuchem pożaru, porażeniem prądem elektrycznym lub innymi niebezpieczeństwami.
22. Główne bezpieczniki — aby zabezpieczyć w sposób ciągły urządzenie przed pożarem, należy używać bezpieczników właściwego typu i parametrów. Parametry bezpieczników w danym zakresie napięcia są zaznaczone na urządzeniu.
23. Nie wolno zwiększać głośności przy słuchaniu części utworu o małej głośności lub przy braku wejściowego sygnału audio. W innym wypadku może dojść do uszkodzenia głośnika przy gwałtownym wzroście natężenia sygnału.
24. Jedynym sposobem całkowitego odłączenia urządzenia od źródła zasilania jest odłączenie kabla zasilania z gniazdka zasilania lub z urządzenia. Gniazdko sieciowe lub wejście kabla zasilania do urządzenia muszą być zawsze dostępne w trakcie używania produktu.
25. Urządzenie powinno się ustawić w pobliżu gniazdka sieciowego lub przedłużacza i w taki sposób, aby zawsze było dostępne.
26. Maksymalna temperatura otoczenia urządzenia wynosi 35°C.
27. Wskazówki dotyczące wyładowań elektrostatycznych — jeśli działanie urządzenia jest zakłócone wyładowaniami elektrostatycznymi, należy go wyłączyć i ponownie włączyć lub przenieść urządzenie w inne miejsce.
28. Bateria
 - a. Bateria nie mogą być narażone na działanie nadmiernego ciepła, jak np. promieni słonecznych, ognia itp.
 - b. Podczas użycia baterii należy zwrócić uwagę na aspekty ochrony środowiska.
 - c. Przestroga dotycząca używania baterii: aby nie dopuścić do rozszczelnienia baterii, które może spowodować obrażenia ciała bądź uszkodzenie urządzenia:
 - Podczas wkładania baterii zwrócić uwagę na jej polaryzację (+ i -).
 - Nie wolno jednocześnie używać różnych baterii — starych i nowych baterii standardowych i alkalicznych itd.
 - Należy wyjąć baterie z urządzenia, gdy nie będą one używane przez dłuższy czas.

Uwaga dotycząca ERP2 (urządzeń związanych z energią)

Niniejsze urządzenie z ekoprojektem spełnia wymagania etapu 2 Rozporządzenia Komisji (WE) nr 1275/2008 wprowadzającego dyrektywę 2009/125/WE dotyczącą poboru energii przez wyłączone i znajdujące się w trybie czuwania urządzenia elektroniczne do zastosowań biurowych i domowych.

Po upływie 15 minut bez wejściowego sygnału audio urządzenie automatycznie przejdzie w tryb czuwania. Informacje na temat przywrócenia normalnego działania można znaleźć w instrukcji obsługi.

Ważne informacje:

Niniejsze urządzenie jest wyposażone w funkcję trybu oszczędzania energii: jeśli w ciągu 15 minut nie jest podawany do niego żaden sygnał wejściowy, urządzenie automatycznie przejdzie w tryb czuwania w celu oszczędzania energii (norma ERP 2). Należy zauważyć, że ustawienie niskiego poziomu głośności w źródle sygnału audio może zostać rozpoznane jako stan „braku sygnału audio”: może to mieć wpływ na zdolność wykrywania sygnału z urządzenia oraz spowodować automatycznie przejście w tryb czuwania. W takim wypadku należy przywrócić transmisję sygnału audio lub zwiększyć poziom głośności w źródle sygnału audio (odtwarzaczu MP3 itp.) w celu wznowienia odtwarzania. Jeśli problem nie ustąpi, prosimy o kontakt z lokalnym serwisem.

OSTRZEŻENIE

Urządzenie nie powinno być używane przez osoby (w tym dzieci) o obniżonej sprawności fizycznej, sensorycznej lub umysłowej oraz osoby z niewystarczającą wiedzą i doświadczeniem, jeśli nie znajdują się one pod nadzorem osoby odpowiedzialnej za ich bezpieczeństwo i nie zostały poinstruowane jak bezpiecznie używać urządzenia. Obecność osób dorosłych jest wymagana, jeśli urządzenie obsługują dzieci; pozwoli to zapewnić bezpieczne korzystanie z urządzenia.

1. Nie wolno pozostawić pracującego urządzenia bez nadzoru! Należy wyłączyć urządzenie, gdy nie jest ono używane, nawet przez krótką chwilę.
2. Urządzenia nie wolno obsługiwać za pośrednictwem zewnętrznego zegara z układem czasowym ani za pomocą oddzielnego układu ze zdalnym sterowaniem.
3. Aby uniknąć zagrożenia w przypadku uszkodzenia przewodu zasilania, wymianę powinien wykonać producent, autoryzowany punkt serwisowy lub inna osoba posiadająca odpowiednie kwalifikacje.
4. Przed przystąpieniem do obsługi urządzenia należy sprawdzić, czy jego napięcie odpowiada napięciu występującemu w lokalnej sieci zasilającej.
5. Nie wolno zakrywać otworów wentylacyjnych urządzenia np. gazetami, obrusem, zasłonami itp. Należy upewnić się, że nad urządzeniem jest co najmniej 20 cm wolnego miejsca, a z każdej jego strony — co najmniej 5 cm.
6. Nie należy dopuszczać do tego, aby na urządzenie kapąła lub wylewała się ciecz, ani nie należy stawiać na nim przedmiotów wypełnionych cieczami, takich jak wazony.
7. Aby uniknąć pożaru lub porażenia prądem elektrycznym, należy chronić urządzenie przed gorącymi miejscami, działaniami deszczu, wilgoci i pyłu.
8. Nie wolno ustawiać urządzenia w pobliżu jakichkolwiek źródeł wody, np. kranów, wanien, pralek lub basenów pływackich. Urządzenie należy ustawić na równym i stabilnym podłożu.
9. Nie wolno narażać urządzenia na silne pole magnetyczne.
10. Nie wolno stawiać urządzenia bezpośrednio na wzmacniaczu lub amplitunerze.
11. Nie wolno stawiać urządzenia w wilgotnym miejscu, gdyż wilgoć ma szkodliwy wpływ na podzespoły elektryczne.
12. Po wniesieniu urządzenia z zimnego do ciepłego miejsca lub do wilgotnego miejsca może dojść do kondensacji wilgoci na soczewce wewnątrz odtwarzacza. W takiej sytuacji urządzenie nie będzie działać prawidłowo. Należy pozostawić włączone urządzenie na około jedną godzinę, aby umożliwić odparowanie wilgoci.
13. Nie wolno czyścić urządzenia rozpuszczalnikami chemicznymi, gdyż mogą one zniszczyć lakier obudowy. Urządzenie wyciera się czystą, suchą lub nieznacznie zwilżoną ściereczką.
14. Podczas wyciągania wtyczki z gniazdka ściennego należy zawsze ciągnąć za wtyczkę, nigdy za kabel zasilania.
15. Gdy włączone urządzenie jest używane w pobliżu włączonego telewizora, może to być źródłem zakłóceń obrazu w postaci linii na ekranie. Należy to od pasma fal transmisji TV. Nie oznacza to nieprawidłowego działania urządzenia ani telewizora. Jeśli są widoczne takie linie, należy odsunąć urządzenie od telewizora.
16. Wtyczka sieciowa jest używana do odłączania napięcia zasilającego i powinna być zawsze dostępna.
17. Aby zachować głowicę laserową do odczytu płyt CD w czystości, nie wolno jej dotykać i zawsze zamykać kieszeń na płycie.
18. W trakcie odtwarzania płyta obraca się z dużą prędkością. NIE WOLNO podnosić ani przesuwac urządzenia podczas odtwarzania, gdyż może to być przyczyną uszkodzenia płyty lub samego urządzenia.
19. Przed przeniesieniem urządzenia w inne miejsce lub na czas przeprowadzki należy wyjąć płytę i zamknąć kieszeń na płycie. Następnie należy wyłączyć zasilanie i odłączyć kabel zasilania. Przenoszenie urządzenia z płytą w kieszeni może być przyczyną jego uszkodzenia.
20. Po odtworzeniu płyty należy umieścić w opakowaniu. Nie wolno wystawiać płyt na bezpośrednie działanie promieni słonecznych i źródła ciepła. Nie wolno zostawiać płyt wewnątrz samochodu zaparkowanego w pełnym słońcu.
21. Nie wolno dotykać strony płyt bez etykiety. Trzymać płyty za krawędź, aby nie pozostawić odcisków palców. Pył, odciski palców lub zadrapania płyt mogą być przyczyną niepoprawnego działania odtwarzacza. Nie wolno naklejać karteczek lub taśmy samoprzylepnej na płytę.
22. Do czyszczenia płyty używa się czystej, niepozostawiającej kłaczków ściereczki. Zaczyna się czyszczenie ruchem prostoliniowym od środka płyty do jej krawędzi, używając do tego celu powszechnie dostępnych środków czyszczących lub środków antystatycznych do płyt winylowych.
23. Aby nie dopuścić do ewentualnej utraty słuchu, nie wolno słuchać głośno muzyki przez dłuższy czas.



OSTRZEŻENIE: ŹRÓDŁO PROMIENIOWANIA

CLASS 1 LASER PRODUCT
LUOKAN 1 LASERLAITE
KLASS 1 LASERAPPARAT

Ta etykieta oznacza, że wewnątrz urządzenia znajdują się podzespoły laserowe. Otwarcie pokrywy kieszeni na płyty CD i pominięcie blokad zabezpieczających naraża użytkownika na działanie promieniowania laserowego. Nie wolno patrzeć się na wiązkę lasera podczas pracy urządzenia.

PRZED ROZPOCZĘCIEM PRACY

Uwagi: dotyczące płyt kompaktowych.



Ponieważ zabrudzone, uszkodzone lub odkształcone płyty mogą być przyczyną uszkodzenia urządzenia, należy zwrócić uwagę na następujące elementy:

- Płyty kompaktowe, których można używać. Można używać tylko wskazanych poniżej płyt.
- Płyty CD wyłącznie z cyfrowym dźwiękiem audio.

UWAGA

Deklaracja



Niniejszym Blaupunkt Competence Center 2N-Everpol Sp. z o.o. oświadcza, że to urządzenie jest zgodne z wymogami i innymi odpowiednimi postanowieniami dyrektywy 2014/53/UE. Pełną deklarację zgodności można uzyskać na stronie www.blaupunkt.com w zakładce produktu.

Podmiot odpowiedzialny: 2N-Everpol Sp. z o.o., Puławska 403A, 02-801 Warszawa, Polska, Telefon: +48 22 331 99 59, e-mail:

info@everpol.pl



Produkt został wyprodukowany z wysokiej jakości materiałów i podzespołów, które można poddać recyklingowi i ponownie użyć.



Jeśli na urządzeniu znajduje się znak przekreślonego kosza na śmieci, oznacza to, że produkt jest objęty postanowieniami dyrektywy europejskiej 2002/96/WE. Należy zapoznać się z wymaganiami dotyczącymi lokalnego systemu zbiórki odpadów elektrycznych i elektronicznych. Należy postępować zgodnie z lokalnymi przepisami. Nie wolno wyrzucać tego produktu razem ze zwykłymi odpadami domowymi. Prawidłowe usunięcie starego produktu zapobiegnie potencjalnym negatywnym skutkom dla środowiska naturalnego i zdrowia ludzkiego.



Urządzenie jest wyposażone w baterie objęte dyrektywą europejską 2013/56/WE. Baterii nie wolno wyrzucać razem z odpadami gospodarstwa domowego. Należy zapoznać się z lokalnymi przepisami dotyczącymi oddzielnej zbiórki baterii, ponieważ prawidłowa utylizacja zapobiegnie potencjalnym negatywnym skutkom dla środowiska naturalnego i zdrowia ludzkiego.

Informacje o ochronie środowiska naturalnego

Opakowanie zawiera tylko niezbędne elementy. Dołożono wszelkich starań, aby trzy materiały składowe opakowania były łatwe do oddzielenia: karton (pudełko), pianka polistyrenowa (zabezpieczenia wewnątrz) i polietylen (torebki, arkusz ochronny). Urządzenie wyprodukowano z materiałów, które można poddać recyklingowi i użyć ponownie po ich demontażu przez wyspecjalizowaną firmę. Należy przestrzegać lokalnych przepisów dotyczących utylizacji materiałów opakowaniowych, zużytych baterii i niepotrzebnych urządzeń.

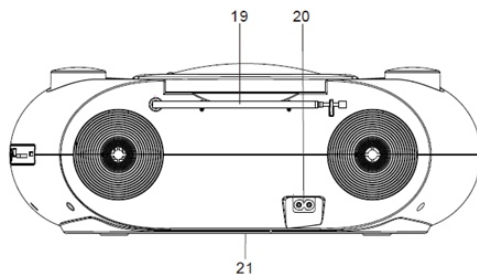
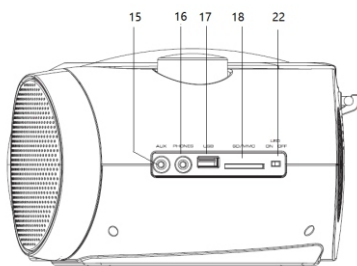
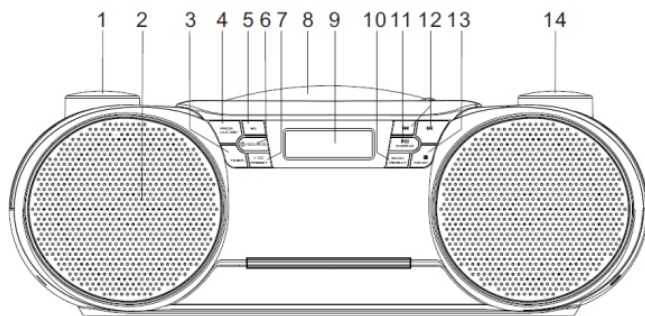
Nagrywanie i odtwarzanie materiałów może wymagać uzyskania zgody. Patrz ustawa o prawach autorskich i prawach wykonawców/artystów.



Właścicielem znaków towarowych i logo Bluetooth® jest firma Bluetooth SIG, Inc. USA. Użycie tych znaków i logo podlega licencji.

Inne znaki i nazwy handlowe należą do odpowiednich właścicieli.

LOKALIZACJA ELEMENTÓW STEROWANIA



1. Pokrętło/LED regulacji głośności
2. Głośnik
3. Timer
4. Przycisk programowania (program)/ ustawiania zegara (clock set)
5. Przycisk zmiany trybów korektora EQ (nomal / rock / pop / jazz / classic)
6. Przycisk włączania zasilania (power) / wyboru źródła dźwięku (source)
7. + 10 / ustawienie wstępne (preset)
8. Pokrywa napędu CD
9. Wyświetlacz LCD
10. Przycisk skanowania (scan) / powtarzania (repeat) - powtarzanie jednego utworu / powtarzanie wszystkich utworów / losowe odtwarzanie utworów
11. Odtwarzanie (Play) / wstrzymanie (Pause), Przycisk parowania urządzeń BT (pairing)
12. Przycisk zmiany utworu poprzedni (previous) / następny (next)
13. Przycisk stop / przełączenie trybu mono/stereo
14. Pokrętło strojenia fal radiowych
15. Gniazdo wejściowe AUX-IN
16. Gniazdo słuchawkowe
17. Port USB
18. Gniazdo kart SD / MMC
19. Antena FM
20. Gniazdo zasilania AC
21. Komora baterii
22. LED ON/OFF

Podłączenie źródła zasilania

Zasilanie AC: za pomocą dostarczonego kabla zasilającego podłącz gniazdo AC na tylnym panelu urządzenia, a następnie włóż wtyczkę do gniazda ściennego AC, aby uzyskać źródło zasilania.

Zasilanie DC (zasilanie bateryjne): otwórz pokrywę komory baterii i włóż 8 sztuk baterii typu UM1 / 1,5V (zestaw nie zawiera baterii) zgodnie z wygrawerowanym symbolem dodatniej i ujemnej polaryzacji. Następnie zamknij pokrywę komory baterii. Po pomyślnym połączeniu zasilania wyświetlacz uruchomi się. Naciśnij przycisk włączania zasilania (power) / wyboru źródła dźwięku (source), aby wybrać źródło odtwarzania, naciśnij i przytrzymaj ten przycisk 2 sekundy, aby wyłączyć (przejszć w tryb gotowości) urządzenie. Baterie zostaną automatycznie odłączone po uzyskaniu zasilania z sieci.

Uwagi:

- Dźwięk będzie zniekształczony z powodu wyczerpanej baterii lub niskiego poziomu jej naładowania, wówczas należy wymienić baterie na nowe. Baterie należy składować w sposób przyjazny dla środowiska, należy stosować się do wymagań lokalnych władz.
- Nie należy instalować baterii różnych producentów; aby uniknąć wycieku cieczy należy wyjąć baterie w przypadku braku używania urządzenia przez dłuższy czas,.

Ustawienie zegara i alarmu

Ustawienia zegara: naciśnij i przytrzymaj przycisk zasilania (power) / źródła (source) 2 sekundy, aby przejść do trybu gotowości (standby), naciśnij i przytrzymaj przycisk programowania (program) / ustawiania zegara (clock set) 2 sekundy, aby rozpocząć ustawienie, naciśnij przycisk poprzedni / następny, aby wybrać format czasu - 12/24 godzinny, naciśnij ponownie przycisk programowania (program) / ustawiania zegara (clock set), aby potwierdzić wybór, powtarzaj poprzednią operację, aby ustawić godziny i minuty.

Ustawienia alarmu: W trybie czuwania naciśnij i przytrzymaj przycisk „TIMER” 2 sekundy, aby rozpocząć ustawianie alarmu, cyfry na wyświetlaczu zaczną migać; Naciśnij przycisk poprzedni (previous) / następny (next), aby wyregulować godzinę i ponownie naciśnij przycisk „TIMER”, aby potwierdzić wybór; powtórz poprzednią operację, aby ustawić minuty / źródło alarmu (CD / USB / SD / BRZĘCZYK / FM) / głośność alarmu itp.

- Zegar i alarm działa tylko wtedy, gdy dostępne jest źródło zasilania. W przypadku przerwy w dostawie zasilania należy ponownie ustawić zegar i alarm.
- Krótkie naciśnięcie przycisku „TIMER” w trybie gotowości (standby) umożliwia włączenie lub wyłączenie alarmu.
- Gdy alarm uruchomi się, krótko naciśnij przycisk zasilania (power) / źródła (source) lub przycisk „TIMER”, aby wyłączyć dźwięk alarmu i ustawić go w tryb budzenia kolejnego dnia o tej samej porze.
- Czas trwania alarmu wynosi 5 minut, jeśli wcześniej nie zostanie on anulowany.
- Jeśli jako źródło alarmu wybrano CD / USB / SD, należy upewnić się, że do urządzenia podłączone są odpowiednie nośniki (płyta CD, karta SD, pamięć USB), w przeciwnym razie włączy się brzęczyk.

Obsługa CD

Urządzenie może odtwarzać płyty CD, nagrane w formacie CD / CD-R / CD-RW / MP3. Przed rozpoczęciem odtwarzania sprawdź najpierw format dysku CD i upewnij się, że płyta CD jest czysta i nie uszkodzona.

Odtwarzanie płyty CD: otwórz pokrywę napędu CD i załaduj płytę CD, a następnie zamknij pokrywę. Wcisnij przycisk zasilania (power) / źródła (source), aby przejść do trybu CD; wtedy urządzenie odczyta płytę CD i odtworzy dźwięk automatycznie.

W trybie odtwarzania płyt CD obróć pokrętko regulacji głośności, aby wyregulować poziom głośności; wciśnij przycisk odtwarzania (Play) / wstrzymanie (Pause), aby wstrzymać lub wznowić odtwarzanie; przycisk stop, aby zatrzymać odtwarzanie; krótko naciśnij przycisk poprzedni (previous) / następny (next), aby wybrać utwór, naciśnij i przytrzymaj go, aby przewinąć utwór do przodu lub do tyłu, naciskaj przycisk powtarzania (repeat), aby włączyć powtarzanie jednego utworu / powtarzanie wszystkich utworów, lub włączyć odtwarzanie losowe; Krótkie naciśnięcie przycisku +10 powoduje przesunięcie odtwarzania o kolejnych 10 utworów; naciśnij przycisk EQ, aby wybrać tryb korektora dźwięku.

Programowanie odtwarzania (do 20 utworów na płycie CD i 99 utworów na płycie MP3): naciśnij przycisk stop; naciśnij przycisk programowania (program), aby rozpocząć programowanie; na wyświetlaczu pojawi się informacja "P01" i "PROG"; naciśnij przycisk poprzedni (previous) / następny (next), aby wybrać utwór, który chcesz zaprogramować, a następnie naciśnij przycisk programowania (program), aby potwierdzić swój wybór a utwór zostanie zapisany jako P01. Powtarzaj tę czynność, aż na wyświetlaczu pojawi się "FUL" co oznacza, że zaprogramowana pamięć jest pełna. Naciśnij przycisk odtwarzania (Play), aby odtworzyć zaprogramowane utwory; otwórz pokrywę napędu CD lub dwukrotnie naciśnij przycisk stop, aby anulować i usunąć zaprogramowane ustawienia odtwarzania.

Obsługa radia FM

Przed rozpoczęciem obsługi radia należy w pełni wysunąć antenę FM i spróbować umieścić urządzenie obok okna w celu uzyskania lepszego odbioru sygnału.

Skanowanie i automatyczne skanowanie: naciśnij i przytrzymaj przycisk poprzedni (previous) / następny (next) przez 2 sekundy, aby automatycznie zeskanować dostępne stacje w górę lub w dół pasma; naciśnij przycisk skanowania (scan), aby automatycznie zeskanować i zapisać dostępne stacje radiowe (maksymalna ilość zaprogramowanych stacji wynosi 40).

Naciśnij przycisk + 10 / ustawienie wstępne (preset), aby wybrać i uruchomić zaprogramowaną stację.

Ręczne programowanie stacji: Po dostrojeniu do żądanej stacji za pomocą pokrętki strojenia fal radiowych lub przycisku skanowania (scan), naciśnij najpierw przycisk programowania (program), a następnie obróć pokrętko strojenia fal radiowych, aby wybrać numer pamięci, pod którym chcesz zapisać bieżącą stację, naciśnij przycisk programowania (program), aby potwierdzić wybór; powtórz operację; aby zapisać inne stacje.

W trybie radia FM naciśnij przycisk stop / mono/stereo, aby przełączyć odbiornik w tryb mono w przypadku odsłuchu stacji o słabszym sygnale.

Odtwarzanie kart SD / USB

Przed rozpoczęciem odtwarzania kart SD / USB proszę skopiować pliki audio MP3 na odpowiedni nośnik (maksymalna pojemność nośników do 32 GB), a następnie włożyć nośnik do portu USB / SD.

Naciśnij kilkakrotnie przycisk wyboru źródła dźwięku (source), aby wejść w tryb USB / SD, a następnie urządzenie automatycznie odczyta pliki audio i odtworzy dźwięk po pewnym czasie.

W trybie USB naciśnij przycisk odtwarzanie (Play) / wstrzymanie (Pause), aby wstrzymać lub wznowić odtwarzanie; naciśnij przycisk stop aby zatrzymać odtwarzanie; krótko naciśnij przycisk poprzedni (previous) / następny (next), aby wybrać utwór, naciśnij i przytrzymaj go, aby przewinąć utwór do przodu lub do tyłu; naciśnij przycisk powtarzania (repeat), aby włączyć powtarzanie jednego utworu / powtarzanie wszystkich utworów, lub włączyc odtwarzanie losowe; Krótkie naciśnięcie przycisku +10 powoduje przesunięcie odtwarzania o kolejnych 10 utworów; naciśnij przycisk EQ, aby wybrać tryb korektora dźwięku.

Uwaga:

- Użycie przedłużacza do podłączenia urządzenia USB nie jest zalecane, ponieważ może powodować zakłócenia podczas odtwarzania
- Nie gwarantuje się, że wszystkie urządzenia USB będą obsługiwane ze względu na różne konstrukcje i producentów.
- Nie gwarantuje się, że wszystkie pliki MP3 będą odtwarzane prawidłowo.

Obsługa Bluetooth

Urządzenie posiada funkcję Bluetooth, która umożliwia bezprzewodowe odtwarzanie dźwięku z innych urządzeń.

Parowanie: Naciśnij przycisk wyboru źródła dźwięku (source), aż na wyświetlaczu pojawi się komunikat "BT". Następnie włącz funkcję Bluetooth w urządzeniu zewnętrznym takim jak na przykład smartfon itp. (Zapoznaj się z instrukcją obsługi danego urządzenia); sprawdź listę dostępnych urządzeń Bluetooth w urządzeniu i wybierz "BP BB31LED"; po prawidłowym sparowaniu urządzeń pojawi się dźwięk potwierdzenia; następnie wybierz i odtwórz muzykę z urządzenia zewnętrznego, a dźwięk zostanie odtworzony za pomocą głośników niniejszego odtwarzacza.

W trybie Bluetooth naciśnij przycisk odtwarzanie (Play) / wstrzymanie (Pause), aby wstrzymać lub wznowić odtwarzanie; naciśnij przycisk poprzedni (previous) / następny (next), aby wybrać utwór; naciśnij przycisk parowania urządzeń BT (pairing) przez 2 sekundy, aby rozłączyć połączenie z bieżącym urządzeniem, odtwarzacz będzie gotowy do łączenia się z innymi urządzeniami z funkcją Bluetooth.

Uwagi:

- Nie gwarantuje się poprawnego parowania ze wszystkimi urządzeniami Bluetooth ze względu na różne konstrukcje i producentów.
- Najlepsza odległość robocza dla poprawnego działania Bluetooth wynosi 10 metrów bez przeszkód.
- W przypadku połączenia przychodzącego odtwarzanie Bluetooth zostanie wstrzymane oraz automatycznie wznowione po zakończeniu rozmowy telefonicznej.

Obsługa trybu AUX IN / Wejścia liniowego/ MP3 Link

Za pomocą przewodu audio 3,5 mm połącz gniazdo AUX-IN na panelu tylnym urządzenia z wyjściem sygnału audio z zewnętrznego odtwarzacza (np. Odtwarzacza MP3 itp.). Włącz urządzenie i wciskaj przycisk wyboru źródła (source), aby przejść do trybu AUX-IN; Wybierz i odtwarzaj muzykę z odtwarzacza zewnętrznego a dźwięk zostanie odtworzony za pomocą głośników niniejszego urządzenia. Należy zwrócić uwagę, że główne sterowanie odbywa się za pomocą odtwarzacza zewnętrznego, a w niniejszym urządzeniu można wyregulować poziom głośności.

Wyjście słuchawkowe: w trybie odtwarzania (CD / USB / SD / AUX / Bluetooth / radio), podłącz słuchawki do gniazda słuchawek na panelu tylnym urządzenia. Dźwięk w głośnikach zostanie automatycznie wyciszony i będzie dostępny w słuchawkach,

Funkcja uśpienia (SLEEP): W trybie odtwarzania naciśnij kilkakrotnie przycisk „TIMER”, aby włączyć funkcję uśpienia w zakresie 10/20/30/40/50/60/70/80/90 minut / wyłączony. Urządzenie automatycznie wyłączy się, po wybranym zakresie czasowym.

Włączanie/wyłączenie oświetlenia LED

Wciśnij i przesuń przełącznik włączania/wyłączania oświetlenia na tylnym panelu urządzenia w celu włączenia lub wyłączenia oświetlenia LED; krótkie naciśnięcie pokrętła głośności pozwala wybrać kolor i tryb oświetlenia LED (dostępnych jest 8 trybów oraz możliwość wyłączenia).

Specyfikacja:

Źródło zasilania: AC 100-230V ~ / 50Hz;

Zasilanie 12V DC (8szt x UM1, 1.5V, brak baterii w zestawie);

Częstotliwość FM: 87,5 ~ 108,0 MHz;

Obsługiwane dyski: CD, CD-R, CD-RW, MP3-CD,

Moc wyjściowa RMS: 2 x 6Watt;

Parametry portu USB: 5V / 500mA (nie do ładowania);

Kompatybilność portu USB: nośniki o pojemności do 32 GB, plik audio MP3;

Bluetooth: wersja EDR + 4.2; najlepsza odległość robocza do 10 metrów.

Pobór mocy: 14W

Pobór mocy w trybie gotowości: <1W

(powyższa specyfikacja może ulec zmianie bez wcześniejszego powiadomienia)

Rozwiązywanie problemów

1. Nie można włączyć urządzenia.

- a. Sprawdź, czy zasilanie DC zostało poprawnie podłączone.
- b. Skontaktuj się z centrum serwisowym w razie problemów.

2. Stacja radiowa brzmi źle.

- a. Proszę przesunąć urządzenie obok okna lub wyregulować kierunek anteny, aby uzyskać lepszy odbiór.
- b. Spróbuj przełączyć się na inną stację.
- c. Skontaktuj się z centrum serwisowym w razie problemów.

3. Urządzenie nie może odczytać dysku CD lub pamięci USB.

- a. Proszę sprawdzić czy dysk CD lub plik audio jest poprawny.
- b. Skontaktuj się z centrum serwisowym w razie problemów.

4. Dźwięk Bluetooth jest przerywany.

- a. Spróbuj przesunąć urządzenie Bluetooth w pobliżu urządzenia.
- b. Proszę wyłączyć Bluetooth i sparować go ponownie.

DŮLEŽITÉ BEZPEČNOSTNÍ POKYNY

Upozornění:

Chcete-li snížit riziko úrazu elektrickým proudem, neodstraňujte kryty, neotvírejte zadní část zařízení. Uvnitř nejsou žádné prvky určené pro opravu uživatelem. Údržbou a opravami zařízení se zabývá pouze kvalifikovaný servisní personál.

Vysvětlení grafických symbolů:


Symbol blesku se šipkou umístěn v trojúhelníku upozorňuje uživatele na přítomnost neizolovaného "nebezpečného napětí" v prostoru krytu zařízení, které může dosáhnout velikost hrozcí nebezpečí úrazu elektrickým proudem.



Symbol vykřičníku uvnitř rovnostranného trojúhelníku upozorňuje uživatele, že v této části jsou popsány důležité informace týkající se provozu a údržby zařízení v dokumentaci dodané se zařízením.

Před použitím přístroje si přečtěte tento návod, abyste se seznámili s jeho funkcemi a využili je, jak bylo zamýšleno pro zajištění dlouhé životnosti, bezporuchového provozu zařízení a radosti s používáním.

Důležité informace

- Uschovejte tento návod a bezpečnostní informace pro jejich použití v budoucnu.
- Nedovolte, aby na přístroj kapala nebo se lila tekutina.
- Nepoužívejte ve vlhkých místech, jako např. koupelny.
- Neumísťujte tento přístroj na následujících místech:
- Vystavených přímému slunečnímu záření nebo blízko radiátorů.
- Na jiná stereofonní zařízení, která generují teplo.
- Blokovat větrání nebo umísťovat v prašném prostředí.
- V prostorech vystavených otřesům.
- V prostorech s vysokou vlhkostí.
- Neumísťujte zařízení v blízkosti otevřeného ohně nebo svíčky.
- Zařízení lze použít pouze tak, jak je popsáno v tomto návodu.
- Před prvním zapnutím se ujistěte, že napájení bylo řádně připojeno.
- USB paměť se připojuje přímo nebo přes prodlužovací USB kabel s délkou do 25 cm.

Z bezpečnostních důvodů neodstraňujte kryty a nesaňte se dostat dovnitř zařízení. Přístroj by měl být opravován pouze kvalifikovaným servisním personálem. Nerozebírejte zařízení ani neotevírejte kryt, protože uvnitř nejsou žádné díly, které mohou být opraveny vlastními silami. Údržbou a opravami zařízení se zabývá výhradně kvalifikovaný servisní personál.

BEZPEČNOSTNÍ POKYNY

1. Přečtěte si pokyny - před použitím zařízení si přečtěte celý návod a bezpečnostní informace.
2. Tyto pokyny uschovejte - uschovejte návod k použití pro použití v budoucnu.
3. Dodržujte varování - dodržujte veškerá varování umístěná na zařízení a v souladu s pokyny.
4. Dodržujte pokyny - postupujte podle pokynů a návodu pro uživatele.
5. Instalace - nastavte zařízení podle pokynů výrobce.
6. Napájecí zdroj - tento produkt by měl být napájen pouze ze zdrojů uvedených na označení na napájecím kabelu. Pokud si nejste jisti, jaký typ napájení máte doma, měli byste se obrátit na svého prodejce nebo místního dodavatele elektrické energie.
7. Uzemnění nebo polarizace napájení - zařízení nemusí být uzemněno. Ujistěte se, že je zástrčka zcela zasunuta do zásuvky ve zdi nebo do prodlužovacího kabelu, aby se zabránilo odhalení kolíků a kontaktů. Některé verze zařízení mohou být vybaveny polarizovanou zástrčkou AC (s kolíkem). Tuto zástrčku lze zasunout do síťové zásuvky pouze jedním způsobem. Toto je bezpečnostní funkce. Pokud nelze vložit zástrčku do zásuvky, zkuste ji otočit. Pokud zástrčka stále nepasuje do zásuvky, požádejte elektrikáře, aby ji vyměnil. Neodstraňujte zabezpečení polarizované zástrčky. Pokud používáte prodlužovací kabel nebo kabel jiný než dodávaný s zařízením, měl/a byste mít odpovídající zástrčky a bezpečnostní osvědčení požadované ve vaší zemi.
8. Zajištění napájecího kabelu - napájecí kabely by měly být vedeny tak, aby nikdo po nich nešlapal, nestiskal a aby nedošlo k odřiznutí části zařízení předmety umístěnými vedle. Věnujte zvláštní pozornost zástrčkám, zásuvkám a místům vyznačujícím se tím, že kabely jsou vyvedeny ven ze zařízení.
9. Přetížení - Nepřetěžujte zásuvky ve zdi, prodlužovací šňůry a elektrické rozvaděče, může to mít za následek poruchu nebo úraz elektrickým proudem.
10. Větrání - Přístroj musí být řádně větran. Nepokládejte výrobek na postel, pohovku, nebo podobný povrch. Nezakrývejte zařízení ubrusy, ubrusky, novinami, atd.
11. Teplo - Neumísťujte zařízení blízko zdrojů tepla jako jsou radiátory, kamna nebo jiné přístroje (včetně zesilovačů), které produkují teplo. Nepokládejte na zařízení zapálené svíčky a jiné otevřené zdroje ohně.
12. Voda a vlhkost - aby se snížilo riziko poruchy nebo úrazu elektrickým proudem, nevystavujte přístroj působení deště, vody a vlhkosti, jako například v sauně, nebo v koupelně. Nepoužívejte toto zařízení v blízkosti vody, například u vany, umyvadla, kuchyňského dřezu nebo prádelní vany, ve vlhkém sklepě nebo v blízkosti bazény (nebo na podobných místech).
13. Objekty a kapaliny v zařízení - Nevkládejte objekty přes otvory, protože mohou přijít do styku s body nebezpečného napětí a komponenty, které mohou způsobit poruchu nebo úraz elektrickým proudem. Tekutiny by za žádných okolností neměly vniknout na povrch přístroje. Nepokládejte žádné předměty obsahující kapaliny na horní část zařízení.

14. Čištění – před čištěním vždy odpojte přístroj od elektrické zásuvky. Prach kolem reproduktoru lze odstranit jen suchým hadříkem. Pokud je třeba použít čisticí sprej, nesměřujte postřik ne přímo na přístroj, ale na hadřík. Dávejte pozor, aby nedošlo k poškození pohonné jednotky
15. Přídavná zařízení - nepoužívejte příslušenství, která nejsou schválena výrobcem, protože mohou představovat hrozbu.
16. Příslušenství - neumísťujte přístroj na nestabilní vozík, stojan, stativ, držák nebo stůl. Přístroj může spadnout, poškodit se a způsobit vážné zranění dětem nebo dospělým. Použití pouze s vozíkem, stojanem, trojnožkou, držákem nebo stolem, stanoveným výrobcí nebo prodáváním se zařízením. Instalace zařízení by měla být provedena v souladu s pokyny výrobce, za použití montážních sad doporučených výrobcem.
17. Stěhování zařízení - zařízení umístěné na vozíku pohybujte velmi pečlivě. Rychlé zastavení, nadměrné použití síly a nerovné povrchy mohou způsobit převrácení vozíku se zařízením.
18. Období mimo provoz - napájecí šňůra musí být odpojena od zásuvky během bouřky nebo kdy přístroj není používán po dlouhou dobu.
19. Servis - Nepokoušejte se o vlastnoruční prohlídky zařízení. Otevření krytu může způsobit nebezpečné napětí a vystavit uživatele na nebezpečí. Údržbu a opravy a opravy zařízení se zabývá výhradně kvalifikovaný servisní personál.
20. Pokud nepoužíváte zařízení, odpojte napájecí kabel od zásuvky ve zdi. Pokud je zařízení připojeno ke zdroji napájení, je v pohotovostním režimu a není zcela vyloučeno.
21. Náhradní díly - při výměně dílů, zkontrolujte, zda zaměstnanec servisu použil náhradní díly specifikované výrobcem, nebo díly stejné jako původní. Výměna za neschválené díly hrozí poruchou, úrazem elektrickým proudem nebo jiným nebezpečím.
22. Hlavní pojistky – pro kontinuální zabezpečení zařízení před ohněm, použijte pojistky správného typu a parametrů. Parametry pojistky v rozsahu napětí jsou vyznačeny na přístroji.
23. Nezvyšujte hlasitost při poslechu skladby malé hlasitosti nebo v nepřítomnosti vstupního zvukového signálu. V opačném případě může dojít k poškození reproduktoru při rychlém zvýšení síly signálu.
24. Jediným způsobem, odpojení zařízení od zdroje elektrické energie je odpojení napájecího kabelu od elektrické zásuvky nebo od zařízení. Zásuvka nebo vstupní napájecí kabel k zařízení musí být vždy k dispozici při používání výrobku.
25. Zařízení by mělo být instalováno v blízkosti elektrické zásuvky nebo prodlužovačky a to takovým způsobem, aby bylo vždy k dispozici.
26. Maximální okolní teplota zařízení je 35 °C
27. Pokyny týkající se elektrostatických výbojů - v případě, že činnost zařízení je narušena elektrostatickými výboji, vypněte jej a opětovně zapnete nebo přemístíte přístroj do jiného místa.
28. Baterie
 - A. Baterie nesmí být vystaveny nadměrnému teplu, jako je sluneční záření, oheň atd.
 - B. Při likvidaci baterie, věnujte pozornost environmentálním aspektům.
 - C. Upozornění týkající se používání baterií: aby se zabránilo úniku baterie, což může mít za následek zranění nebo poškození zařízení:
 - Při vkládání baterií dbejte na správnou polaritu (+ a -).
 - Nepoužívejte různé baterie najednou - staré a nové baterie, standardní a alkalické apod.
 - Vyjměte baterie z přístroje, když není používán po delší dobu

Poznámka o ERP2 (zařízení související se spotřebou energie)

Toto zařízení s ekodesignem je v souladu s požadavky části 2 nařízení Komise (ES) 1275/2008 ke směrnici 2009/125/ES o spotřebě energie kterým se provádí směrnice Evropského parlamentu a Rady 2005/32/ES, pokud jde o požadavky na ekodesign z hlediska spotřeby elektrické energie elektrických a elektronických zařízení určených pro domácnosti a kanceláře v pohotovostním režimu a ve vypnutém stavu. Po uplynutí 15 minut bez vstupního audio signálu zařízení se automaticky přepne do pohotovostního režimu. Informace o obnovení normálního provozu lze nalézt v příručce.

Důležité informace:

Tento přístroj je vybaven režimem pro úsporu energie: pokud v rámci 15 minut nebude automaticky podán žádný vstupní signál, přístroj přejde do pohotovostního režimu, aby šetřil energii (ERP standard 2). Je třeba poznamenat, že nízké nastavení hlasitosti ve zdroji audio signálu může být rozpoznáno jako stav "bez zvuku", což může ovlivnit vaši schopnost detekování signálu ze zařízení a způsobit automaticky posun do pohotovostního režimu. V tomto případě, obnovte přenos zvuku a zvýšete hlasitost zdroje zvuku (MP3 přehrávač atd.), pro obnovení přehrávání. Pokud problém přetrvává, obraťte se na místní servisní středisko.

VAROVÁNÍ

Přístroj by neměl být používán osobami (včetně dětí) s fyzickým, smyslovým nebo mentálním postižením a osobami s nedostatečnými znalostmi a zkušenostmi, pokud nejsou pod dohledem osoby odpovědné za jejich bezpečnost a nebyly poučeny, jak bezpečně používat zařízení. Přítomnost dospělých je nutná v případě, že zařízení obsluhuje děti; to umožní zajištění bezpečného provozu zařízení.

1. Nikdy nenechávejte zařízení běžet bez dozoru! Vypněte zařízení, pokud jej nepoužíváte, a to i na krátkou dobu.
2. Neprovodujte přístroj přes externí časovač nebo samostatný systém dálkového ovládní.
3. Aby se zabránilo nebezpečí, v případě poškození napájecího kabelu výměnu by měl dělat výrobce, autorizovaný poskytovatel služeb nebo jiná osoba, mající příslušné kvalifikace.
4. Před použitím zařízení zkontrolujte, zda napětí odpovídá napětí vyskytujícímu se v místní síti.
5. Nezakrývejte větrací otvory novinami, ubrusy, záclonami, atd. Ujistěte se, že nad přístrojem je alespoň 20 cm volného prostoru, a z každé strany - nejméně 5 cm.
6. Nedovolte, aby na přístroj kapaly nebo se lily tekutiny a nepokládejte na něj předměty naplněné kapalinami, jako například vázy.

7. Aby nedošlo k poruše nebo k úrazu elektrickým proudem, nevystavujte zařízení na horká místa, na dešť, vlhkost a prach.
8. Nepokládejte zařízení do blízkosti zdrojů vody, jako jsou kouchoutky, vany, pračky nebo bazény. Umístěte zařízení na plochy stabilní povrch.
9. Nevystavujte silnému magnetickému poli.
10. Nepokládejte zařízení přímo na zesilovači nebo přijímači.
11. Nepokládejte přístroj na vlhká místa, protože vlhkost poškozuje elektrické součásti.
12. Přenos zařízení z chladného do teplého prostředí nebo do vlhkého prostoru může vést ke kondenzaci vlhkosti na čočce uvnitř přehrávače. V takové situaci, přístroj nebude pracovat správně. Nechte součásti v přístroji po dobu jedné hodiny pro odpařování vlhkosti.
13. Nečistěte zařízení chemickými rozpouštědly, protože mohou zničit lak skříně. Přístroj se čistí čistým, suchým nebo mírně vlhkým hadříkem.
14. Při odpojování ze zásuvky vždy tahejte za zástrčku, ne za kabel.
15. Když se zapnutý přístroj používá v blízkosti zapnutého televizoru, může být zdrojem narušení obrazu v podobě čar na obrazovce. Kvalita obrazu závisí na vlnovém pásmu TV vysílání. Tento jev neznamena poruchu zařízení nebo televizoru. Vidíte-li tyto čáry, umístěte přístroj do větší vzdálenosti od televizoru.
16. Síťová zástrčka se používá k odpojení napájení a měla by být vždy k dispozici.
17. Chcete-li zachovat laserovou hlavu pro čtení CD v čistotě, nedotýkejte ji a vždy zavřete zásuvku disku.
18. Během přehrávání se disk otáčí vysokou rychlostí. NEZVEDEJTE a nepohybujte zařízením během přehrávání, protože může to způsobit poškození disku nebo samotného zařízení.
19. Před přesunem přístroje na jiné místo nebo během stěhování vyjměte disk a zavřete zásuvku disku. Potom vypněte napájení a odpojte napájecí kabel. Stěhování zařízení s diskem v kapse může být příčinou poruchy.
20. Po přehrávání disk musí být umístěn v obalu. Nevystavujte disk přímému slunečnímu záření a zdrojům tepla. Nenechávejte desky uvnitř automobilu zaparkovaného na přímém slunci.
21. Nedotýkejte strany disku bez štítku. Držte disk za jeho okraje, nenechtejte otisky prstů. Prach, otisky prstů nebo škrábance na disku mohou způsobit poruchy přehrávače. Nepřipojujte poznámky nebo pásku na disk.
22. Pro čištění disku použijte čistý hadřík, který nepouští vlákna. Začněte čištění lineárně od centra na okraj disku, s použitím běžně dostupných čistících prostředků nebo antistatických prostředků na gramofonové desky.
23. Chcete-li zabránit možné ztrátě sluchu, neposlouchejte hudbu delší dobu nahlas.



VAROVÁNÍ: ZDROJ ZÁŘENÍ

CLASS 1 LASER PRODUCT
LUOKAN 1 LASERLAITE
KLASS 1 LASERAPPARAT

Toto označení znamená, že uvnitř zařízení jsou laserové komponenty. Otevření krytu kapsy CD a opomenutí bezpečnostních pojistek vystavuje na laserové záření. Nedívejte se do laserového paprsku během provozu.

PŘED UVEDENÍM DO PROVOZU

Poznámky: tykající se desek CD.
Špinavé, poškozené nebo deformované disky mohou způsobit poškození zařízení, dbejte na následující:

- A. Kompaktní disky, které můžete použít. Můžete použít pouze desky určené níže:
- B. CD pouze s digitálním audio zvukem



POZOR

Prohlášení o shodě

Blaupunkt Competence Center 2N-Everpol Sp. z o.o. tímto prohlašuje, že je toto zařízení v souladu se základními požadavky a dalšími příslušnými ustanoveními směrnice 2014/53/EU. Prohlášení o shodě lze získat ze stránky produktu na www.blaupunkt.com.

Odpovědná strana: 2N-Everpol Sp. z o.o., Puławska 403A, 02-801 Varšava, Polsko, Tel: +48 22 331 99 59, E-mail: info@everpol.pl



Naše produkty jsou navrženy a vyrobeny z vysoce kvalitních materiálů a komponent, které jsou recyklovatelné a znovu použitelné.



Je-li tento symbol přeškrtnutého kontejneru uveden na výrobku, znamená to, že výrobek podléhá směrnici EU 2002/96/ES. Informujte se prosím o místní systém sběru tříděného odpadu pro elektrické a elektronické výrobky. Prosím řiďte se místními pravidly a nelikvidujte staré produkty spolu s běžným komunálním odpadem. Správnou likvidací starého výrobku pomůžete předejít možným negativním dopadům na životní prostředí a lidské zdraví.



Výrobek obsahuje baterie podléhající směrnici EU 2013/56/EU, které nelze vyhazovat do běžného domovního odpadu. Informujte se prosím o místních pravidlech o sběru baterií, neboť správnou likvidací pomůžete předcházet negativním důsledkům pro životní prostředí a lidské zdraví.

Informace týkající se životního prostředí

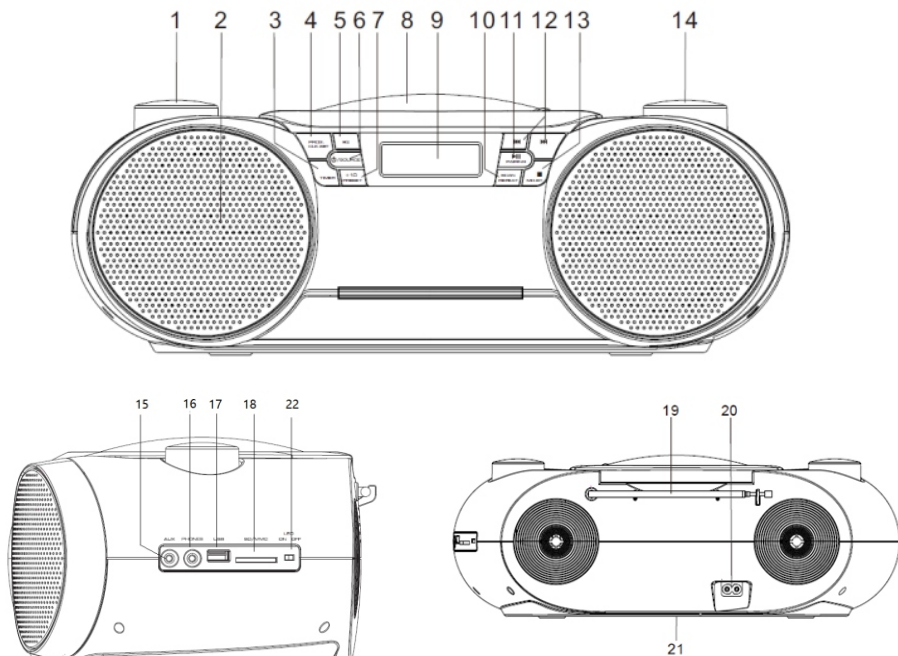
Výrobek je zabalen pouze v nezbytném obalu pro jeho ochranu. Snahou naší firmy je, aby byl obalový materiál snadno rozdělitelný na tři materiály: lepenku (krabice), polystyrén (ochranné balení) a polyethylen (sáčky, ochranné fólie z lehčeného plastu). Výrobek se skládá z materiálů, které lze recyklovat a znovu použít v případě demontáže odbornou firmou. Dodržujte prosím místní předpisy týkající se likvidace obalových materiálů, vybitých baterií a starého zařízení.

Na nahrávání a přehrávání materiálů může být vyžadován souhlas. Viz Zákon o Copyrightu Act 1956 a Zákon na ochranu umělců Sk 1958-1972.



Bluetooth® název i logo jsou registrované obchodní známky společnosti Bluetooth SIG, Inc. a její použití je zatíženo licencí. Ostatní obchodní známky a jména jsou vlastněny jejich vlastníky.

Umístění řídicích prvků



1. Kolečko/LED ovládání hlasitosti
2. Reproduktor
3. Časovač
4. Tlačítko programování (program)/ nastavení hodin (clock set)
5. Tlačítko volby režimu korektoru EQ (nomal / rock / pop / jazz / classic)
6. Tlačítko napájení (power) / tlačítko volby zdroje zvuku (source)
7. + 10 / úvodní nastavení (preset)
8. Kryt CD
9. LCD displej
10. Tlačítko vyhledávání (scan) / opakování (repeat) - opakované přehrávání jedné skladby / opakované přehrávání všech skladeb / náhodné přehrávání skladeb
11. Přehrávání (Play) / pauza (Pause), Tlačítko párování zařízení BT (pairing)
12. Tlačítko volby skladby - předchozí (previous) / následující (next)
13. Tlačítko stop / volba režimu mono / stereo
14. Ovládací kolečko volby radiových vln
15. Vstup AUX-IN
16. Konektor pro sluchátka
17. USB port
18. Slot na SD / MMC karty
19. FM anténa
20. Konektor napájení AC
21. Prostor pro baterie
22. LED ON/OFF

Připojení napájecího zdroje

Napájení AC: přiložený napájecí kabel zapojte do konektoru AC napájení na zadním panelu přehrávače. Poté vložte kolík do nástěnné zásuvky AC.

Napájení DC (napájení bateriemi): otevřete kryt prostoru pro baterie a vložte 8 ks baterií typu UM1 / 1,5 V (nejsou součástí dodávky) podle označení kladných a záporných pólů. Poté kryt prostoru pro baterie zavřete.

Po úspěšném zapojení napájení se displej rozsvítí. Pro výběr zdroje přehrávání stiskněte tlačítko napájení (power) / volby zdroje zvuku (source). Když tlačítko přidržíte 2 vteřiny, přehrávač vypnete (přepnete do pohotovostního režimu standby). Po připojení napájení ze sítě se automaticky ukončí napájení z baterií.

Upozornění:

- Při snížení úrovně nabití baterií se zvuk začne deformovat. Je nutné baterie vyměnit. Baterie musí být skladovány tak, aby nepoškozovaly životní prostředí. Postupujte podle místních platných předpisů.
- Nevkládejte baterie od různých výrobců. Pokud přehrávač nebudete delší dobu používat, vyjměte baterie, aby nedošlo k úniku kapaliny.

Nastavení hodin a budíku

Nastavení hodin: pro přechod do pohotovostního režimu (standby) stiskněte a 2 vteřiny přidržte tlačítko napájení (power) / zdroje (source). Pro nastavení stiskněte a 2 vteřiny přidržte tlačítko programování (program) / nastavení hodin (clock set). Pro výběr formátu času - 12/24 hodin stiskněte tlačítko předchozí / následující. Pro potvrzení výběru stiskněte opět tlačítko programování (program) / nastavení hodin (clock set). Pro nastavení hodin a minut zopakujte výše uvedené činnosti.

Nastavení budíku: V pohotovostním režimu stiskněte a 2 vteřiny přidržte tlačítko TIMER pro nastavení budíku. Číslice na displeji začnou blikat. Pro nastavení hodin stiskněte tlačítko předchozí (previous) / následující (next) a potvrďte stisknutím tlačítka TIMER. Pro nastavení minut / zdroje budíku (CD / USB / SD / BZUČÁK / FM) / hlasitosti budíku atp. zopakujte výše uvedené činnosti.

- Když není připojen zdroj napájení, hodiny ani budík nemohou fungovat. V případě výpadku napájení je nutné znovu nastavit hodiny a budík.
- Pro zapnutí nebo vypnutí nastavení budíku krátce stiskněte tlačítko TIMER v pohotovostním režimu (standby).
- Když se budík rozezná, vypnete jej krátkým stisknutím tlačítka napájení (power) / zdroje (source) nebo tlačítka TIMER. Takto jej pro danou chvíli vypnete a zároveň zůstane nastavený na stejný čas následujícího dne.
- Pokud budík nevypnete, bude zvonit 5 minut.
- Jestliže jste jako zdroj budíku zvolili CD / USB / SD, zkontrolujte, že je do zařízení vložen příslušný nosič (CD disk, SD karta, USB klíč), jinak se jako budík spustí bzučák.

Obsluha CD

Přístroj může přehrávat CD disky nahrané ve formátu CD / CD-R / CD-RW / MP3. Před zahájením přehrávání nejprve zkontrolujte formát CD disku a ujistěte se, že je CD disk čistý a nepoškozený.

Přehrávání CD disku: otevřete kryt CD přehrávače, vložte disk a kryt opět zavřete. Pro přepnutí do režimu CD použijte tlačítko napájení (power) / zdroje (source). Přehrávač načte CD disk a začne automaticky přehrávat skladby.

V režimu přehrávání CD disků nastavíte hlasitost pomocí kolečka ovládání hlasitosti. Pro přerušení přehrávání stiskněte tlačítko pauza (Pause), pro obnovení přehrávání stiskněte tlačítko přehrávání (Play). Pro ukončení přehrávání stiskněte tlačítko stop.

Pro výběr sklady krátce stiskněte tlačítko předchozí (previous) / následující (next). Jestliže chcete skladbu přetočit dopředu nebo dozadu, stiskněte tlačítko předchozí / následující a přidržte je. Pomocí tlačítka opakovaného přehrávání (repeat) zvolíte: přehrávání jedné / všech skladeb / náhodné přehrávání. Krátkým stisknutím tlačítka +10 se v přehrávání posunete o 10 skladeb. Pro výběr režimu korektoru zvuku stiskněte tlačítko EQ.

Nastavení opakovaného přehrávání (až 20 skladeb na CD disku a 99 skladeb na MP3): stiskněte tlačítko stop. Pro nastavení stiskněte tlačítko programování (program). Na displeji se zobrazí P01 a PROG. Pro výběr sklady, jejíž přehrávání chcete natavít, stiskněte tlačítko předchozí (previous) / následující (next) a poté tlačítko programování (program), kterým potvrdíte svůj výběr a skladba bude uložena jako P01. Výše uvedený postup můžete opakovat, až do okamžiku, kdy se na displeji zobrazí FUL, což znamená, že paměť je plná. Pro přehrávání nastavených skladeb stiskněte tlačítko přehrávání (Play). Pro ukončení a smazání naprogramovaného přehrávání otevřete kryt CD přehrávače nebo dvakrát stiskněte tlačítko stop.

Obsluha FM rádia

Před spuštěním rádia úplně vsuňte FM anténu a přesuňte přehrávač co nejlíže oknu pro dosažení lepšího příjmu signálu.

Vyhledávání a automatické vyhledávání: pro automatické vyhledání dostupných stanic na vyšších nebo nižších frekvencích pásma stiskněte a 2 vteřiny přidržte tlačítko předchozí (previous) / následující (next). Pro automatické vyhledání a uložení dostupných radiových stanic stiskněte tlačítko vyhledávání (scan). Maximálně lze uložit 40 radiových stanic. Pro výběr a spuštění naprogramovaných stanic stiskněte tlačítko + 10 / úvodní nastavení.

Ruční naprogramování stanic: Po naladění požadované stanice pomocí kolečka ladění radiových vln nebo tlačítka vyhledávání (scan) stiskněte nejprve tlačítko programování (program) a poté otočte kolečkem ladění radiových vln pro výběr čísla, pod kterým bude aktuální stanice uložena v paměti. Potvrdíte tlačítkem programování (program). Pro uložení dalších stanic postup zopakujte.

V případě poslechu stanice se slabším signálem stiskněte v režimu rádia FM tlačítko stop / mono / stereo pro přepnutí přijímače do režimu mono.

Přehrávání SD karet / USB

Pro přehrávání nejprve zkopírujte audio soubory MP3 na příslušný nosič (maximální kapacita nosič 32 GB). Poté vložte nosič do USB / SD portu.

Pro přepnutí do režimu USB / SD několikrát stiskněte tlačítko výběru zdroje zvuku (source). Přehrávač automaticky načte audio soubory a začne přehrávat skladby.

V režimu USB stiskněte tlačítko pauza (Pause) pro přerušení přehrávání, pro obnovení přehrávání stiskněte tlačítko přehrávání (Play). Pro ukončení přehrávání stiskněte tlačítko stop. Pro výběr sklady krátce stiskněte tlačítko předchozí (previous) / následující (next). Jestliže chcete skladbu přetočit dopředu nebo dozadu, stiskněte tlačítko předchozí / následující a přidržte je. Pomocí tlačítka opakovaného přehrávání (repeat) zvolíte: přehrávání jedné / všech skladeb / náhodné přehrávání. Krátkým stisknutím tlačítka +10 se v přehrávání posunete o 10 skladeb. Pro výběr režimu korektoru zvuku stiskněte tlačítko EQ.

Upozornění:

- Nedoporučujeme používat prodlužovací kabel k připojení USB, jelikož by mohlo dojít k narušení přehrávání.
- Vzhledem k rozdílům mezi USB klíči od různých výrobců nemůžeme zaručit kompatibilitu přehrávače se všemi USB.
- Nemůžeme také zaručit správné přehrávání všech MP3 souborů.

Obsluha Bluetooth

Přehrávač má funkci Bluetooth, která umožňuje bezdrátové přehrávání zvuku z jiných zařízení.

Spárování: Stlačte tlačítko volby zdroje zvuku (source), až se na displeji zobrazí BT. Poté zapněte v externím zařízení (např. smartphone aj.) funkci Bluetooth (viz návod k obsluze daného zařízení). V externím zařízení najdete seznam dostupných Bluetooth zařízení a vyberte BP BB31LED. Po úspěšném spárování zařízení zazní zvukový signál. Poté vyberte skladby a zapněte jejich přehrávání. Zvuk bude přehrán prostřednictvím reproduktorů přehrávače.

V režimu Bluetooth stiskněte tlačítko přehrávání (Play) / pauza (Pause) pro přerušení nebo obnovení přehrávání. Pro výběr skladby použijte tlačítka předchozí (previous) / následující (next). Pro odpojení externího zařízení stiskněte tlačítko párování zařízení BT (pairing) a podržte je 2 vteřiny. Přehrávač poté bude připraven na propojení s jinými zařízeními pomocí funkce Bluetooth.

Upozornění:

- Vzhledem k rozdílům v konstrukci zařízení od různých výrobců nemůžeme zaručit správné spárování se všemi zařízeními Bluetooth.
- Nejlepší provozní vzdálenost pro činnost funkce Bluetooth je max. 10 metrů bez překážek.
- V případě přichozího hovoru bude Bluetooth přehrávání přerušeno a po ukončení telefonního hovoru bude automaticky obnoveno.

Obsluha režimu AUX IN / linkového vstupu / MP3 Link

Pomocí audio kabelu 3,5 mm propojte vstup AUX-IN na zadním panelu přehrávače s výstupem audio signálu z externího zařízení (např. přehrávače MP3 apod.). Zapněte externí zařízení a pomocí tlačítka volby zdroje (source) přepněte na režim AUX-IN. Vyberte skladby a zapněte jejich přehrávání na externím zařízení. Zvuk bude přehrán prostřednictvím reproduktorů přehrávače. Hlavní ovládání přehrávání probíhá na externím zařízení, zatímco na přehrávači můžete nastavit hlasitost.

Výstup pro sluchátka: v režimu přehrávání (CD / USB / SD / AUX / Bluetooth / radio) připojte sluchátka do konektoru pro sluchátka na zadním panelu přehrávače. Zvuk z reproduktorů bude automaticky ztišen a přehrávání se přepne na sluchátka

Režim spánku (SLEEP): Pro zapnutí funkce režimu spánku po 10/20/30/40/50/60/70/80/90 minutách stiskněte několikrát tlačítko TIMER v režimu přehrávání. Přehrávač se automaticky vypne po uplynutí vybraného časového intervalu.

Zapínání/vypínání LED osvětlení

Stisknutí a posuň spínač zapnutí/vypnutí světla na zadním panelu zařízení pro zapnutí nebo vypnutí LED osvětlení; krátkým stisknutím knoflíku hlasitosti můžete zvolit barvu a režim LED osvětlení (k dispozici je 8 režimů a možnost vypnutí).

Specifikace:

Napájecí zdroj: AC 100-230V ~ / 50Hz;
Napájení 12V DC (8kst x UM1, 1.5V, baterie není součástí dodávky);
Kmitočet FM: 87,5 ~ 108,0 MHz;
Kompatibilní disky: CD, CD-R, CD-RW, MP3-CD,
Výkon RMS: 2 x 6Watt;
Parametry portu USB: 5V / 500mA (nenabíjecí);
Kompatibilita portu USB: nosiče s kapacitou až 32 GB, audio soubor MP3;
Bluetooth: verze EDR + 4.2; nejlepší provozní vzdálenost max. 10 metrů.
Příkon: 14W
Příkon v pohotovostním režimu: <1W
(výše uvedená specifikace může být předcházejícího upozornění změněna)

Řešení problémů

- Přístroj nelze spustit.
 - Zkontrolujte, zda je správně připojeno napájení DC.
 - V případě problémů kontaktujte servisní centrum.
- Radiová stanice nezní dobře.
 - Pro dosažení lepšího příjmu signálu přemístěte přehrávač do blízkosti okna nebo upravte nasměrování antény.
 - Zkuste přepnout na jinou stanici.
 - V případě problémů kontaktujte servisní centrum.
- Přístroj má problémy s načtením CD disku nebo USB paměti.
 - Zkontrolujte, zda je CD disk nebo audio soubor bez poškození.
 - V případě problémů kontaktujte servisní centrum.
- Zvuk Bluetooth je přerušovaný.
 - Zkuste přesunout zařízení Bluetooth blíže k přehrávači.
 - Vypněte Bluetooth a zkuste zařízení spárovat ještě jednou.

DŮLEŽITÉ BEZPEČNOSTNÉ POKYNY



Upozornenie:

Ak chcete znížiť riziko úrazu elektrickým prúdom, neodstraňujte kryt alebo zadnú časť zariadenia. Vnútri nie sú žiadne prvky určené na opravu používateľom. Údržbou a opravami zariadení sa zaoberá len kvalifikovaný servisný personál.

Vysvetlenie grafických symbolov:



Symbol blesku so šípkou umiestnený v trojuholníku upozorňuje užívateľa na prítomnosť neizolovaného "nebezpečného napätia" v priestore krytu zariadenia, ktoré môže dosiahnuť veľkosť hrozivcu nebezpečenstvo úrazu elektrickým prúdom.



Výkričník vo vnútri rovnostranného trojuholníka upozorňuje užívateľa, že v tejto časti sú popísané dôležité informácie týkajúce sa prevádzky a údržby zariadení v dokumentácii dodanej so zariadením.

Pred použitím prístroja si prečítajte tento návod, aby ste sa oboznámili s jeho funkciami a využili je, ako bolo zamýšľané pre zaistenie dlhšej životnosti, bezporuchovej prevádzky zariadenia a radosti s použitia.

Dôležité informácie

- Uchovajte tento návod a bezpečnostné informácie pre ich použitie v budúcnosti.
- Nedovoľte, aby na prístroj kvapkala alebo sa lila tekutina.
- Nepoužívajte vo vlhkých miestach, ako napr kúpeľne.
- Neumiestňujte tento prístroj na nasledujúcich miestach:
- Vystavených priamemu slnečnému žiareniu alebo blízko radiátorov.
- Na iné stereofónne zariadenie, ktoré generujú teplo.
- Blokovať vetranie alebo umiestňovať v prašnom prostredí.
- V priestoroch vystavených otrasom.
- V priestoroch s vysokou vlhkosťou.
- Neumiestňujte zariadenie v blízkosti otvoreného ohňa alebo sviečky.
- Zariadenie je možné použiť iba tak, ako je popísané v tomto návode.
- Pred prvým zapnutím sa uistite, že napájanie bolo správne pripojené.
- USB pamäť sa pripája priamo alebo cez predlžovací USB kábel s dĺžkou do 25 cm.

Z bezpečnostných dôvodov neodstraňujte kryty a nesnažte sa dostať dovnútra zariadenia. Prístroj by mal byť opravovaný iba kvalifikovaným servisným personálom. Nerozoberajte zariadenie ani neotvárajte kryt, pretože vo vnútri nie sú žiadne diely, ktoré môžu byť opravené vlastnými silami. Údržbou a opravami zariadení sa zaoberá výhradne kvalifikovaný servisný personál.

BEZPEČNOSTNÉ POKYNY

1. Prečítajte si pokyny - pred použitím zariadenia si prečítajte celý návod a bezpečnostné informácie.
2. Tieto pokyny uchovajte - uchovajte návod na použitie pre použitie v budúcnosti.
3. Dodržiavajte varovanie - dodržujte všetky varovania umiestnené na zariadení a v súlade s pokynmi.
4. Dodržiavajte pokyny - postupujte podľa pokynov a návodu pre užívateľa.
5. Inštalácia - nastavte zariadenie podľa pokynov výrobcu.
6. Napájacie zdroje - tento produkt by mal byť napájaný iba zo zdrojov uvedených na označenie na napájacom kábli. Ak si nie ste istí, aký typ napájania máte doma, mali by ste sa obrátiť na svojho predajcu alebo miestneho dodávateľa elektrickej energie.
7. Uzemnenie alebo polarizácia napájania - zariadenie nemusí byť uzemnené. Uistite sa, že je zástrčka úplne zasunutá do zásuvky v stene alebo do predlžovacieho kábla, aby sa zabránilo odhaleniu kolíkov a kontaktov. Niektoré verzie zariadenia môžu byť vybavené polarizovanou zástrčkou AC (s kolíkom). Túto zástrčku je možné zasunúť do sieťovej zásuvky iba jedným spôsobom. Toto je bezpečnostná funkcia. Ak nie je možné vložiť zástrčku do zásuvky, skúste ju otočiť. Ak zástrčka stále nepasuje do zásuvky, požiadajte elektrikára, aby ju vymenil. Neodstraňujte zabezpečenia polarizovanej zástrčky. Ak používate predlžovací kábel alebo kábel iný ako dodávaný s zariadením, mal / a by ste mať zodpovedajúce zástrčky a bezpečnostné osvedčenie požadované vo vašej krajine.
8. Zaistenie napájacieho kábla - napájacie káble by mali byť vedené tak, aby nikto po po nich nešliapal, nestiskal a aby nedošlo k odrezanie časti zariadenia predmetami umiestnenými vedľa. Venujte zvláštnu pozornosť zástrčkám, zásuvkám a miestam vyznačujúcim sa tým, že káble sú vyvedené von zo zariadenia.
9. Preťaženie - nepreťažujte zásuvky, predlžovacie šnúry a elektrické rozvádzače, môže to mať za následok poruchu alebo úraz elektrickým prúdom.
10. Vetranie - Prístroj musí byť riadne vetranie. Nekladte výrobok na posteľ, pohovku, alebo podobný povrch. Nezakrývajte zariadenie obrusy obrúsky, novinami, atď
11. Teplo - Neumiestňujte zariadenie blízko zdrojov tepla ako sú radiátory, kachle alebo iné prístroje (vrátane zosilňovačov), ktoré produkujú teplo. Nekladte na zariadenie zapálené sviečky a iné otvorené zdroje ohňa.
12. Voda a vlhkosť - aby sa znížilo riziko poruchy alebo úrazu elektrickým prúdom, nevystavujte prístroj pôsobeniu dažďa, vody a vlhkosti, ako napríklad v saune, alebo v kúpeľni. Nepoužívajte toto zariadenie v blízkosti vody, napríklad pri vani, umývadle, kuchynského drezu alebo vane, vo vlhkej pivnici alebo v blízkosti bazéna (alebo na podobných miestach).
13. Objekty a kvapaliny v zariadení - Nevkladajte objekty cez otvory, pretože môžu prísť do styku s bodmi nebezpečného napätia a komponenty, ktoré môžu spôsobiť poruchu alebo úraz elektrickým prúdom. Tekutiny by za žiadnych okolností nemali vniknúť na povrch prístroja. Nekladte žiadne predmety obsahujúce kvapaliny na hornú časť zariadenia.

14. Čistenie - pred čistením vždy odpojte prístroj od elektrickej zásuvky. Prach okolo reproduktora možno odstrániť len suchou handričkou. Ak je potrebné použiť čistiaci sprej, nesmerujte postrek nie priamo na prístroj, ale na handričku. Dávajte pozor, aby nedošlo k poškodeniu pohonnej jednotky
15. Prídavné zariadenia - nepoužívajte príslušenstvo, ktoré nie sú schválené výrobcom, pretože môžu predstavovať hrozbu.
16. Príslušenstvo - neumiestňujte prístroj na nestabilný vozík, stojan, statív, držiak alebo stôl. Prístroj môže spadnúť, poškodiť sa a spôsobiť vážne zranenie deťom alebo dospelým. Použitie iba s vozikom, stojanom, trojnožkou, držiakom alebo stolom, stanoveným výrobcovia alebo predávajúci sa so zariadením. Inštalácia zariadenia by mala byť vykonaná v súlade s pokynmi výrobcu, za použitia montážnych sád odporúčaných výrobcom.
17. Sťahovanie zariadenia - zariadenie umiestnené na vozíku pohybuje veľmi starostlivo. Rýchle zastavenie, použitie nadmernej sily a nerovné povrchy môžu spôsobiť prevrátenie vozíka so zariadením.
18. Obdobie mimo prevádzky - napájací šnúra musí byť odpojená od zásuvky počas búrky alebo keď prístroj nie je používaný po dlhú dobu.
19. Servis - Nepokúšajte sa o vlastnoručný prehľadky zariadení. Otvorenie krytu môže spôsobiť nebezpečné napätie a vystaviť užívateľa na nebezpečenstvo. Údržbu a opravy zariadení sa zaoberá výhradne kvalifikovaný servisný personál.
20. Ak nepoužívate zariadenie, odpojte napájací kábel od zásuvky v stene. Ak je zariadenie pripojené k zdroju napájania, je v pohotovostnom režime a nie je úplne vylúčené.
21. Náhradné diely - pri výmene dielov, kontrolujte, či zamestnanec servisu použil náhradné diely špecifikované výrobcom, alebo diely rovnaké ako pôvodné. Výmena za neschválené diely hrozi poruchou, úrazom elektrickým prúdom alebo iným nebezpečenstvom.
22. Hlavné poistky - pre kontinuálne zabezpečení zariadenia pred ohňom, použite poistky správneho typu a parametrov. Parametre poistky v rozsahu napätia sú vyznačené na prístroji.
23. Nezvyšujte hlasitosť pri počúvaní skladby malej hlasitosti alebo v neprítomnosti vstupného zvukového signálu. V opačnom prípade môže dôjsť k poškodeniu reproduktora pri rýchlom zvýšení sily signálu.
24. Jediným spôsobom odpojenia zariadenia od zdroja elektrickej energie je odpojenie napájacieho kábla od elektrickej zásuvky alebo od zariadenia. Zásuvka alebo vstupný napájací kábel k zariadeniu musí byť vždy k dispozícii pri používaní výrobku.
25. Zariadenie by malo byť inštalované v blízkosti elektrickej zásuvky alebo predlžovačky a to takým spôsobom, aby bolo vždy k dispozícii.
26. Maximálna okolitá teplota zariadenia je 35 ° C
27. Pokyny týkajúce sa elektrostatických výbojov - v prípade, že činnosť zariadenia je narušená elektrostatickými výbojmi, vypnite ho a opätovne zapnete alebo premiestnite prístroj do iného miesta.
28. Batérie
 - A. Batérie nesmú byť vystavené nadmernému teplu, ako je slnečné žiarenie, oheň atď
 - B. Pri likvidácii batérie, venujte pozornosť environmentálnym aspektom.
 - C. Upozornenia týkajúce sa používania batérií: aby sa zabránilo úniku batérie, čo môže mať za následok zranenie alebo poškodenie zariadenia:
 1. Pri vkladaní batérií dbajte na správnu polaritu (+ a -).
 2. Nepoužívajte rôzne batérie naraz - staré a nové batérie, štandardné a alkalické atď
 3. Vyberte batérie z prístroja, keď nie je používaný po dlhšiu dobu

Poznámka o ERP2 (zariadenia súvisiace so spotrebou energie)

Toto zariadenie s ekodizajnom je v súlade s požiadavkami časti 2 nariadenia Komisie (ES) 1275/2008 k smernici 2009/125/ES o spotrebe energie ktorým sa vykonáva smernica Európskeho parlamentu a Rady 2005/32/ES, pokiaľ ide o požiadavky na ekodizajn z hľadiska potreby elektrickej energie elektrických a elektronických zariadení v domácnosti a kancelárii v pohotovostnom režime a vo vypnutom stave. Po uplynutí 15 minút bez vstupného audio signálu zariadenie sa automaticky prepne do pohotovostného režimu. Informácie o obnovenie normálnej prevádzky možno nájsť v príručke.

Dôležité informácie:

Tento prístroj je vybavený režimom pre úsporu energie: ak v rámci 15 minút nebude automaticky podaný žiadny vstupný signál, prístroj prejde do pohotovostného režimu, aby šetril energiu (ERP štandard 2). Je potrebné poznamenať, že nízke nastavenie hlasitosti v zdroji audio signálu môže byť rozpoznané ako stav "bez zvuku", čo môže ovplyvniť vašu schopnosť detekovanie signálu zo zariadenia a spôsobiť automaticky posun do pohotovostného režimu. V tomto prípade, obnovte prenos zvuku a zvýšte hlasitosť zdroja zvuku (MP3 prehrávač atď), pre obnovenie prehrávania. Ak problém pretrváva, obráťte sa na miestne servisné stredisko.

VAROVANIE

Prístroj by nemal byť používaný osobami (vrátane detí) s fyzickým, zmyslovým alebo mentálnym postihnutím a osobami s nedostatočnými znalosťami a skúsenosťami, pokiaľ nie sú pod dohľadom osoby zodpovednej za ich bezpečnosť a neboli poučené, ako bezpečne používať zariadenie. Prítomnosť dospelých je nutná v prípade, že zariadenie obsluhujú deti; to umožní zabezpečenie bezpečnej prevádzky zariadenia.

1. Nikdy nenechávajte zariadenie bežať bez dozoru! Vypnite zariadenie, ak ho nepoužívate, a to aj na krátku dobu.
2. Nepoužívajte prístroj cez externý časovač alebo samostatný systém diaľkového ovládania.
3. Aby sa zabránilo nebezpečenstvu, v prípade poškodenia napájacieho kábla výmenu by mal robiť výrobca, autorizovaný poskytovateľ služieb alebo iná osoba, majúca príslušné kvalifikácie.
4. Pred použitím zariadenia skontrolujte, či napätie zodpovedá napätiu vyskytujúcemu sa v miestnej sieti.
5. Nezakrývajte vetracie otvory novinami, obrusmi, záclonami, atď Uistite sa, že nad prístrojom je aspoň 20 cm voľného priestoru, az každej strany - najmenej 5 cm.
6. Nedovoľte, aby na prístroj kvapkali alebo sa lily tekutiny a nekladte naň predmety naplnené kvapalinami, ako napríklad vázy.

7. Aby nedošlo k poruche alebo k úrazu elektrickým prúdom, nevystavujte zariadenie na horúčavy miesta, na dážď, vlhkosť a prach.
8. Nepokladajte zariadenie do blízkosti zdrojov vody, ako sú kohútiky, vane, práčky alebo bazény. Umiestnite zariadenie na rovný stabilný povrch.
9. Nevystavujte silnému magnetickému poľu.
10. Nekladte zariadenie priamo na zosilňovači alebo prijímači.
11. Nekladte prístroj na vlhka miesta, pretože vlhkosť poškodzuje elektrické súčasti.
12. Prenos zariadení z chladného do teplého prostredia alebo do vlhkého priestoru môže viesť ku kondenzácii vlhkosti na šošovke vo vnútri prehrávača. V takejto situácii, prístroj nebude pracovať správne. Nechajte súčasťou v prístroji po dobu jednej hodiny pre odparovanie vlhkosti.
13. Nečistite zariadenie chemickými rozpúšťadlami, pretože môžu zničiť lak skříně. Prístroj sa čistí čistým suchým alebo mierne vlhkou handričkou.
14. Pri odpájaní zo zásuvky vždy tahajte za zástrčku, nie za kábel.
15. Keď sa zapnutý prístroj používa v blízkosti zapnutého televízora, môže byť zdrojom narušenia obrazu v podobe čiar na obrazovke. Kvalita obrazu záleží na vlnovom pásme TV vysielania. Tento jav neznamená poruchu zariadenia alebo televízora. Vidíte-li tieto čiary, umiestnite prístroj do väčšej vzdialenosti od televízora.
16. Sietová zástrčka sa používa na odpojenie napájania a mala by byť vždy k dispozícii.
17. Ak chcete zachovať laserovú hlavu pre čítanie CD v čistote, nedotýkajte ju a vždy zatvorte zásuvku disku.
18. Počas prehrávania sa disk otáča vysokou rýchlosťou. NEDVÍHAJTE a nepohybujte zariadením počas prehrávania, pretože môže to spôsobiť poškodenie disku alebo samotného zariadenia.
19. Pred presunom prístroja na iné miesto alebo počas sťahovania vyberte disk a zatvorte zásuvku disku. Potom vypnite napájanie a odpojte napájací kábel. Sťahovanie zariadenie s diskom vo vrecku môže byť príčinou poruchy.
20. Po prehraní disk musí byť umiestnený v obale. Nevystavujte disk priamemu slnečnému žiareniu a zdrojom tepla. Nenechávajte dosky vnútri automobilu zaparkovaného na priamom slnku.
21. Nedotýkajte strany disku bez štitku. Držte disk za jeho okraje, nenechajte odtlačky prstov. Prach, odtlačky prstov alebo škrabance na disku môžu spôsobiť poruchy prehrávača. Nepripájajte poznámky alebo pásku na disk.
22. Na čistenie disku použite čistú handričku, ktorá nepúšťa vlákna. Začnite čistenie lineárne od centra na okraj disku, s použitím bežne dostupných čistiacich prostriedkov alebo antistatických prostriedku na gramofónové platne.
23. Ak chcete zabrániť novej strate sluchu, nepočúvajte hudbu dlhšiu dobu nahlas.



VAROVANIE: ZDROJ ŽIARENIA

CLASS 1 LASER PRODUCT
LUOKAN 1 LASERLAITE
KLASS 1 LASERAPPARAT

Toto označenie znamená, že vo vnútri zariadenia sú laserové komponenty. Otvorenie krytu vrecká CD a opomenutie bezpečnostných poistiek vystavuje na laserové žiarenie. Nepozerajte sa do laserového lúča.

Pred uvedením do prevádzky

Poznámky: týkajúce sa dosiek CD.

Špinavé, poškodené alebo zdeformované disky môžu spôsobiť poškodenie zariadenia, dajte na nasledujúce:

A. Kompaktné disky, ktoré môžete použiť. Môžete použiť len disky určené nižšie:

B. CD len s digitálnym audio zvukom

COMPACT
disc
DIGITAL AUDIO



POZNÁMKA

Prehlásenie o zhode

Blaupunkt Competence Center 2N-Everpol Sp. z o.o. týmto prehlasuje, že je toto zariadenie v súlade so základnými požiadavkami a ďalšími príslušnými ustanoveniami smernice 2014/53 / EU. Prehlásenie o zhode je možné získať zo stránky produktu na www.blaupunkt.com. Zodpovedná strana: 2N-Everpol Sp. z o.o., Puławska 403A, 02-801 Warszawa, Poľsko, Tel: +48 22 331 99 59, E-mail: info@everpol.pl



Naše produkty sú navrhnuté a vyrobené z vysoko kvalitných materiálov a komponentov, ktoré sú recyklovateľné a opäť použiteľné.



Ak je tento symbol preškrtnutého kontajneru uvedený na výrobku, znamená to, že výrobok podlieha smernici EU 2002/96/ES.

Informujte sa prosím na miestny systém zberu triedeného odpadu pre elektrické a elektronické výrobky. Prosím riadte sa miestnymi pravidlami a nelikvidujte staré produkty spolu s bežným komunálnym odpadom.

Správnu likvidáciu starého výrobku pomôžete predísť možným negatívnym dopadom na životné prostredie a ľudské zdravie.



Výrobok obsahuje batérie podliehajúce smernici EU 2013/56/EU , ktoré nie je možné vyhadzovať do bežného domáceho odpadu. Informujte sa prosím o miestnych pravidlách zberu batérií, pretože správnu likvidáciou pomôžete predchádzať negatívnym dôsledkom pre životné prostredie a ľudské zdravie.

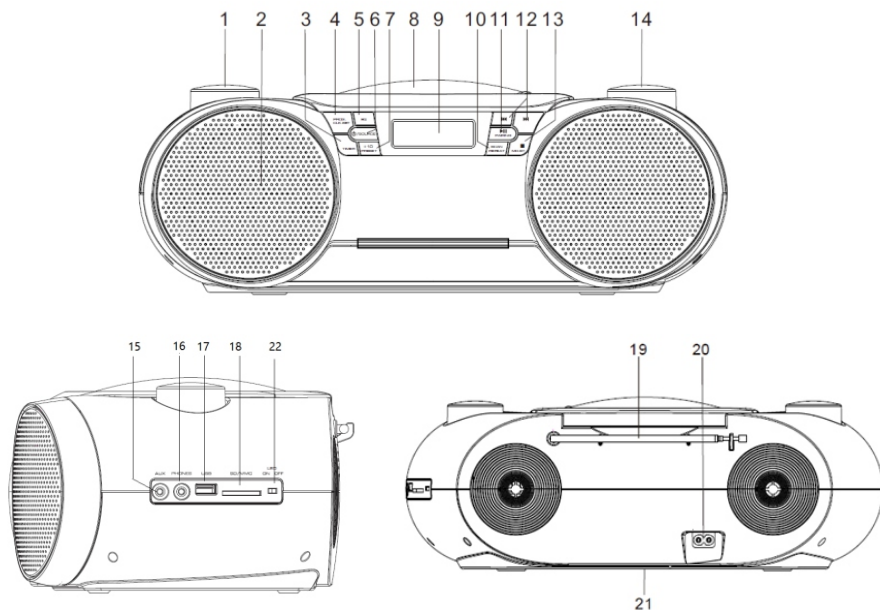
Informácie týkajúce sa životného prostredia

Výrobok je zabalený len v nutnom obale pre jeho ochranu. Snahou našej firmy je, aby bol obalový materiál jednoducho rozdeliteľný na tri materiály: lepenku (škatuľa), polystyrén (ochranné balenie) a polyetylen (sáčky, ochranné fólie z odľahčeného plastu). Výrobok sa skladá z materiálov, ktoré je možné recyklovať a znovu použiť v prípade demontáže odbornou firmou. Dodržujte prosím miestne predpisy týkajúce sa likvidácie obalových materiálov, vybitých batérií a starého zariadenia.

Na nahrávanie a prehrávanie materiálov môže byť vyžadovaný súhlas. Viz. Zákon o Copyright Act 1956 a Zákon na ochranu umelcov Sk 1958-1972.



Bluetooth® názov i logo sú registrované obchodné známky spoločnosti Bluetooth SIG, Inc. a jej použitie je zaťažené licenciou. Ostatné obchodné známky a mená sú vlastnené ich vlastníkmi.

Umiestnenie ovládacích prvkov


1. Koliesko/LED nastavenia hlasitosti
2. Reproduktor
3. Časovač
4. Programovacie tlačidlo (programy)/nastavenie hodín (clock set)
5. Tlačidlo výberu režimov ekvalizéra EQ (nomal / rock / pop / jazz / classic)
6. Tlačidlo zapínania napájania (power) / výber zdroja zvuku (source)
7. + 10 / vstupné nastavenie (preset)
8. Veko CD prehrávača
9. LCD displej
10. Tlačidlo vyhľadávania (scan) / opakovania (repeat) – opakovanie jednej skladby / opakovanie všetkých skladieb / náhodné opakovanie
11. Prehrávanie (Play) / pauza (Pause), Tlačidlo párovania BT zariadení (pairing)
12. Tlačidlo zmeny skladby, predchádzajúce (previous) / nasledujúce (next)
13. Tlačidlo stop / prepínanie režimu mono/stereo
14. Koliesko ladenia rádiových frekvencií
15. Zdieľka vstupu AUX-IN
16. Zdieľka pre slúchadlá
17. USB port
18. Port na SD / MMC karty
19. FM anténa
20. Zdieľka napájania AC
21. Miesto na batérie
22. LED ON/OFF

Pripojenie zdroja el. napätia

Napájanie AC: jednu zástrčku pripojeného napájacieho kábla zastrčte do AC zásuvky na zadnej strane zariadenia, a následne druhú zástrčku zastrčte do kompatibilnej el. zásuvky AC, čím pripojíte zariadenie k el. napätiu.

Napájanie DC (z batérií): otvorte veko komory batérií a vložte 8 ks batérií typu UM1 / 1,5V (nie sú súčasťou súpravy), dodržujte správnu polarizáciu, zachovávajte uvedené označenia. Následne zatvorte veko komory batérií.

Keď sa napájanie pripojí správne, zapne sa displej. Stlačením tlačidla zapínania napájania (power) / výber zdroja zvuku (source), vyberte zdroj prehrávania; stlačením a podržaním na 2 sekundy tohto tlačidla zariadenie vypnete (aktivuje sa pohotovostný režim). V prípade obnovenia napájania z el. siete (AC), napájanie na batérie (DC) sa automaticky odpojí.

Poznámky:

- a. V prípade, ak sú batérie skoro vybité, vytváraný zvuk môže byť deformovaný, v takom prípade batérie vymeňte na nové, nabité. Batérie uchovávajte spôsobom šetrným k životnému prostrediu, dodržuje platné miestne predpisy.
- b. Nepoužívajte súčasne batérie rôznych výrobcov. Ak zariadenie nebudete dlhší čas používať, vyberte z neho všetky batérie, aby nedošlo k nežiaducej vytečeniu batérií.

Nastavenie hodín a budíka

Nastavenie hodín: stlačte a na 2 sekundy podržte tlačidlo napájania (power) / zdroja (source), aktivuje sa pohotovostný režim (standby); stlačte a na 2 sekundy podržte tlačidlo programovania (program) / nastavenia hodín (clock set), aktivuje sa režim nastavovania; stláčaním tlačidla predchádzajúce / nasledujúce vyberte formát čau - 12/24 hodín; opätovne stlačte tlačidlo programovania (program) / nastavenia hodín (clock set), čím potvrdíte voľbu; zopakujte predchádzajúci postup a nastavte hodiny a minúty.

Nastavenie budíka: V pohotovostnom režime stlačte a na 2 sekundy podržte tlačidlo „TIMER“, aktivuje sa režim nastavovania budíka, číslice na displeji začnú blikať; Stláčaním tlačidla predchádzajúce (previous) / nasledujúce (next), nastavte hodiny, a opätovne stlačte tlačidlo „TIMER“, čím potvrdíte nastavenie; zopakujte predchádzajúci postup a nastavte minúty / zdroj budíka (CD / USB / SD / BZUČIAK / FM) / hlasitosť budíka ap.

- Hodiny a budík fungujú iba vtedy, keď funguje zdroj napájania. V prípade, ak dôjde k prerušeniu napájania, hodiny a budík sa musia opäť nastaviť.
- Krátkym stlačením tlačidla „TIMER“ v pohotovostnom režime (standby), môžete budík zapnúť alebo vypnúť.
- Keď sa spustí budík, krátkym stlačením tlačidla napájania (power) / zdroja (source) alebo tlačidla „TIMER“, budík vypnete; budík zostane nastavený v tom istom čase, a bude zvoniť nasledujúci deň.
- Budík zvoní maximálne 5 minút, ak nie je skôr vypnutý.
- Ak ako zdroj budíka vyberiete CD / USB / SD, uistite sa, či je v zariadení správne vložený príslušný nosič (CD platňa, SD karta, USB kľúč), v opačnom prípade sa zapne buzdiak.

Používanie CD

Zariadenie môže prehrávať CD platne vo formátoch: CD / CD-R / CD-RW / MP3. Predtým, než spustíte prehrávanie, najprv skontrolujte formát CD platne a uistite sa, či je CD-čko čisté a či nie je poškodené.

Prehrávanie CD platne: otvorte veko CD prehrávača, do komory vložte CD, a následne veko zatvorte. Stláčaním tlačidla napájania (power) / zdroja (source) aktivujete režim CD; zariadenie následne načíta vloženú CD platňu a automaticky spustí prehrávanie.

V režime prehrávanie CD, otáčaním kolieska hlasitosti nastavte požadovanú hlasitosť; stlačením tlačidla prehrávanie (Play) / pauza (Pause), zastavíte alebo obnovíte prehrávanie; stlačením tlačidla stop, prehrávanie zastavíte; krátkym stlačením tlačidla predchádzajúci (previous) / nasledujúci (next) vyberiete požadovanú skladbu; stlačením a podržaním týchto tlačidiel, skladbu prevíniete dopredu alebo dozadu, stláčaním tlačidla opakovania (repeat), môžete aktivovať opakovanie jednej skladby / opakovanie všetkých skladieb, alebo náhodné prehrávanie; Krátkym stlačením tlačidla +10 preskočíte nasledujúcich 10 skladieb; stláčaním tlačidla EQ, vyberte požadovaný režim ekvalizéra.

Programovanie prehrávania (do 20 skladieb na CD a 99 skladieb na MP3): stlačte tlačidlo stop; stlačením tlačidla programovania (program) aktivujete režim programovania; na displeji sa zobrazí informácia "P01" a "PROG"; stlačením tlačidla predchádzajúce (previous) / nasledujúce (next), vyberte skladbu, ktorú chcete naprogramovať, a následne stlačte tlačidlo programovania (program), čím potvrdíte nastavenie a daná skladba bude priradená ako P01. Opakujte tento postup, kým sa na displeji nezobrazí „FUL“, to znamená, že sú už obsadené všetky dostupné programovateľné miesta. Stlačením tlačidla prehrávanie (Play) spustíte prehrávanie naprogramovaných skladieb; otvorením veka CD prehrávača alebo dvojitým stlačením tlačidla stop zrušíte a odstránite naprogramované nastavenia prehrávania.

Používanie FM rádia

Predtým, než začnete používať FM rádio, najprv úplne vysuňte FM anténu a zariadenie umiestnite v blízkosti okna, tzn. na mieste s lepším rozhlasovým signálom.

Vyhľadávanie a automatické vyhľadávanie: stlačte a na 2 sekundy podržte tlačidlo predchádzajúce (previous) / nasledujúce (next), spustí sa automatické vyhľadávanie rozhlasových staníc, príslušne hore alebo dole (s vyššou alebo nižšou frekvenciou), stlačením tlačidla vyhľadávania (scan) sa spustí automatické vyhľadávanie a ukladanie dostupných rozhlasových staníc (maximálny počet uložených staníc je 40). Stláčaním tlačidla +10 / vstupné nastavenie (preset) vyberiete a spustíte uložené stanice.

Ručné nastavovanie rozhlasových staníc: Keď regulačným kolieskom nastavíte požadovanú frekvenciu, alebo tlačidlom vyhľadávania (scan), najprv stlačte tlačidlo programovania (program), a následne krútením kolieska ladenia rádiovej frekvencie vyberte číslo pamäte, pod ktorým chcete aktuálne nastavenú stanicu uložiť, a následne stlačte tlačidlo programovania (program), čím potvrdíte nastavenie. ak chcete uložiť inú stanicu, postup zopakujte.

V režime FM rádia stlačte tlačidlo stop / mono/stereo, prehrávač prepnete do režimu mono, predovšetkým keď je dostupný rádiový signál slabší.

Prehrávanie SD / USB

Pred začatím prehrávania SD / USB skopírujte vaše MP3 súbory na vhodný nosič (zariadenie podporuje nosiče s kapacitou do 32 GB), a následne požadovaný nosič vložte do USB / SD portu.

Niekoľkokrát stlačte tlačidlo výberu zdroja (source), aktivujete režim USB / SD, a zariadenie následne načíta uložené audio súbory a po istom čase ich začne prehrávať.

V režime USB, stlačením tlačidla prehrávanie (Play) / pauza (Pause), zastavíte alebo obnovíte prehrávanie; stlačením tlačidla stop, prehrávanie zastavíte; krátkym stlačením tlačidla predchádzajúci (previous) / nasledujúci (next) vyberiete požadovanú skladbu; stlačením a podržaním týchto tlačidiel, skladbu prevíniete dopredu alebo dozadu, stláčaním tlačidla opakovania (repeat), môžete aktivovať opakovanie jednej skladby / opakovanie všetkých skladieb, alebo náhodné prehrávanie; Krátkym stlačením tlačidla +10 preskočíte nasledujúcich 10 skladieb; stláčaním tlačidla EQ, vyberte požadovaný režim ekvalizéra.

Pozor:

- Na pripojenie USB kľúča (alebo iného USB nosiča) neodporúčame používanie predlžovací USB kábel, pretože počas prehrávanie môže dochádzať k rušeniu.
- Nedá sa zaručiť, že zariadenie dokáže prehrávať skladbu uložené na všetkých USB zariadeniach, vzhľadom na rôzne konštrukcie (štandardy) a rôznych výrobcov.
- Nedá sa zaručiť, že sa všetky MP3 súbory budú prehrávať správne.

Používanie Bluetooth

Zariadenie má funkciu Bluetooth, ktorá umožňuje bezdrôtovo prehrávať zvuk z iných kompatibilných zariadení.

Párovanie: Stláčajte tlačidlo voľby zdroja (source), kým sa na displeji nezobrazí „BT“. Následne spustíte funkciu Bluetooth vo vašom externom zariadení (napr. chytrým telefóne ap., oboznámte sa s užívateľskou príručkou daného zariadenia), skontrolujte zoznam dostupných zariadení Bluetooth a vyberte „BP BB31LED“; keď párovanie prebehne úspešne, zariadenie vydá zvukový signál; následne na externom zariadení vyberte skladbu a spustíte prehrávanie, zvuk zaznie z reproduktorov tohto zariadenia.

Keď chcete v režime Bluetooth zastaviť alebo obnoviť prehrávanie, stlačte tlačidlo prehrávanie (Play) / pauza (Pause); keď chcete vybrať nasledujúcu / predchádzajúcu skladbu, príslušné tlačidlo predchádzajúce (previous) / nasledujúce (next); keď chcete zrušiť aktuálne párovanie, stlačte a na 2 sekundy podržte tlačidlo párovania (pairing), zariadenie bude pripravené na párovanie s inými zariadeniami s funkciou Bluetooth.

Poznámky:

- Nedá sa zaručiť, že sa zariadenie bude dať spárovať so všetkými zariadeniami Bluetooth, vzhľadom na rôzne konštrukcie (štandardy) a rôznych výrobcov.
- Štandard Bluetooth má najlepší pracovný dosah (pre správne fungovanie) do 10 metrov, bez prekážok.
- V prípade prichádzajúceho volania, prehrávanie Bluetooth sa automaticky zastaví a obnoví sa po skončení prijateľného hovoru.

Používanie režimu AUX IN / Priamy vstup / MP3 Link

3,5 mm audio kábel zastrčte do zdieľky AUX-IN na zadnom paneli zariadenia a do zdieľky audio signálu externého prehrávača (napr. prehrávač MP3 ap.). Zapnite zariadenie a stláčajte tlačidlo voľby zdroja (source), kým sa neaktivuje režim AUX-IN; Na externom prehrávači vyberte skladbu a spustíte prehrávanie, zvuk zaznie z reproduktorov tohto zariadenia. Pripomíname, že prehrávanie sa ovláda iba na externom prehrávači, na tomto zariadení sa dá nastaviť iba intenzita zvuku.

Slúchadlá: v režime prehrávania (CD / USB / SD / AUX / Bluetooth / radio), pripojte slúchadlá (do zdieľky na zadnej strane zariadenia). Zvuk sa automaticky prestane prehrávať na reproduktoroch, a zaznie iba v slúchadlách.

Funkcia časovača (Sleep): V režime prehrávania stláčaním tlačidla časovača „TIMER“ nastavte požadovaný čas vypnutia, dostupné sú 10/20/30/40/50/60/70/80/90 minút / vypnutý. Zariadenie sa automaticky vypne po uplynutí nastaveného času.

Zapínanie/vypínanie LED osvetlenia

Keď chcete zapnúť alebo vypnúť LED osvetlenie, stlačte a presuňte prepínač zapnutia/vypnutia osvetlenia na zadnom paneli zariadenia; krátkym stlačením kolieska hlasitosti vyberiete farbu a režim LED osvetlenia (dostupných je 8 režimov a možnosť vypnutia).

Špecifikácia:

Zdroj el. napätia: AC 100-230V ~ / 50Hz;

Napájanie 12 V DC (8 ks x UM1, 1,5 V, batérie nie sú v súprave);

Frekvencia FM: 87,5 ~ 108,0 MHz;

Podporované nosiče: CD, CD-R, CD-RW, MP3-CD,

Výstupný výkon RMS: 2 x 6 Watt;

Parametre USB portu: 5V / 500 mA (nie je určený na nabíjanie);

Kompatibilita USB portu: nosiče s kapacitou do 32 GB, audio súbory Mp3;

Bluetooth: verzia EDR + 4.2; najlepší pracovný dosah do 10 metrov.

Príkon: 14W

Odber prúdu v pohotovostnom režime: < 1 W

(vyššie uvedené špecifikácia sa môže zmeniť bez predchádzajúceho upozornenia)

Riešenie problémov

1. Zariadenie sa nedá zapnúť.

- Skontrolujte, či napájanie DC je správne pripojené.
- V prípade, ak sa problém nepodarilo vyriešiť, kontaktujte autorizovaný servis.

2. Nekvalitný príjem rozhlasovej stanice.

- Zariadenie umiestnite v blízkosti okna, tzn. na mieste so silnejším rádiovým signálom, alebo nastavte smer antény, aby bol príjem signálu kvalitnejší.
- Skúste naladiť inú rozhlasovú stanicu.
- V prípade, ak sa problém nepodarilo vyriešiť, kontaktujte autorizovaný servis.

3. Zariadenie nedokáže načítať CD platňu alebo USB kľúč.

- Skontrolujte, či sú audio súbory, uložené na CD platni alebo USB kľúči, správne.
- V prípade, ak sa problém nepodarilo vyriešiť, kontaktujte autorizovaný servis.

4. Počas prehrávania v režime Bluetooth je zvuk prerušovaný.

- Skúste presunúť zariadenie Bluetooth bližšie k zariadeniu.
- Vypnite Bluetooth a skúste opäť spárovať.

FONTOS BIZTONSÁGI UTASÍTÁSOK

FIGYELEM!
ÁRAMÜTÉS VESZÉLYE
NE NYISSA KI!

**Figyelem:**

Az áramütés kockázatának csökkentése érdekében, ne távolítsa el a fedelet vagy hátra alkatrészeket. A készülékben nincs felhasználó által javítható alkatrészek. Forduljon képzett szakemberhez

A szimbólumok magyarázata:

Villám szimbólum elhelyezett egyenlő oldalú háromszögben figyelmezteti a felhasználót a szigetetlen "veszélyes feszültségre" a készülékben, amely elérheti a fenyegető áramütés méretét.ü



Felkiáltójel szimbólum elhelyezett egyenlő oldalú háromszögben figyelmezteti a felhasználót, hogy most az üzemeltetés és karbantartásról információk megjelennek a dokumentációban, a készülékhez hozzáadott.

Kérjük, figyelmesen olvassa el az alábbi biztonsági utasításokat, és ezeket a későbbiekben felmerülő kérdések esetére is tartsa meg. Vegye figyelembe a használati utasításban és a készülék hátoldalán található figyelmeztetéseket és utasításokat.

Fontos információk

- Tartsa meg a használati útmutatók későbbi kérdések esetében
- Kerülje a készülék vízzel vagy nedvességgel történő érintkezését
- Ne telepítse a készüléket az alábbi helyeken:
- Kerülje a berendezés közvetlen napfényvel vagy szokatlanul sok porral történő érintkezését.
- Ne helyezzen semmilyen más melegítő készüléket a berendezés mellett.
- A készülék helye ne legyen folyamatosan rezgő helyeken.
- A készülék helye ne legyen magas páratartalmú helyiségben.
- Ne helyezzen nyílt láng vagy gyertyák mellett.
- Berendezések csak kézikönyv szerint használható.
- A berendezés bekapcsolása előtt, győződjön meg róla, hogy az áramellátás megfelelően csatlakozik.
- USB memóriát közvetlenül bekapcsolható, 25 cm-es kábellel.

A hátoldalán és a készülék oldalán található légnyelások maradjanak szabadon. Soha ne próbálja meg a hibás készüléket megjavítani, minden esetben forduljon ügyfélszolgálatához. Ne nyissa fel a készüléket - ezt csak szakember teheti meg.

BIZTONSÁGI UTASÍTÁSOK

1. Olvassa el az utasításokat - figyelmesen olvassa el a biztonsági utasításokat.
2. Tartsa meg az útmutatót - későbbiekben felmerülő kérdések esetére tartsa meg a biztonsági utasításokat.
3. Vegye figyelembe a figyelmeztetéseket - Vegye figyelembe a használati figyelmeztetéseket és utasításokat.
4. Vegye figyelembe az utasításokat - Vegye figyelembe a használati figyelmeztetéseket és utasításokat.
5. Üzembevétel - Utasítások szerint ügyeljen.
6. Áramforrás - A készüléket csatlakoztassa csak a normál hálózati feszültséghez. Ha a felhasználó nem biztos abban, milyen típusú tápegysége van a házban, akkor forduljon a forgalmazóhoz vagy a helyi áramszolgáltatóhoz.
7. Földelés vagy teljesítmény polarizációja - a földelésre nincs szükség. Győződjön meg arról, hogy a csatlakozó teljesen be van helyezve a fali csatlakozóba vagy kiterjesztésbe. A berendezés egyes verziói egy polarizált csatlakozója van (az egyik pótus szélesebb). Ez a dugó lehet illeszteni a fali aljzatba csak egyféleképpen. Ez egy biztonsági funkció. Ha nem lehet bedugni a dugót a konnektorba, próbálja fordítani őt. Ha a dugó még mindig nem illeszkedik az aljzatba, forduljon villanyszerelőhöz, hogy cseréltesse ki. Ne távolítsa el a biztonságot a polarizált dugóról. Amikor használ hosszabbítót vagy a hálózati kábel ami nem mellékelte a készülékhez, megfelelő dugaszolhatóra és az adott országban biztonsági ellenőrzésre szüksége van.
8. Tápkábel biztosítása - Úgy helyezze el a hálózati kábelt, hogy abban senki ne botoljon meg. Fordítson különös figyelmet a dugaszolhatóra, a hálózati csatlakozóra és ezekre a helyekre ahol a kábelek vezetnek ki a készüléket.
9. Túlterhelés - ne terhelje túl a konnektorokat, hosszabbítót, és elektromos elosztók, mivel ez tüzet vagy áramütést okozhat.
10. Szellőzés - A készüléket szellőztetni kell. Ne tegye a készüléket puha felületre, pl. takaróra, szőnyegre vagy függönyök, falikárpit közelébe, mert a szellöző nyílások takarásba kerülhetnek, ezáltal a szükséges levegőcsere nem valósul meg.
11. Hőség - Ne helyezze a készüléket fűtőtestek vagy más hő sugárzó források közelébe. Kerülje a berendezés közvetlen napfényvel. Nyílt láng, például gyertyák ne kerüljenek a készülékre.
12. Víz és nedvesség - Tűzveszély és egy esetleges áramütés elkerülése végett, a készüléket ne tegye ki esőnek vagy nedvességnek. A berendezést ne használja fürdőkádak, úszómedencék vagy fröcskölő vízforrás közelében.
13. Tárgyak és folyadékok a készülék - Idegen tárgyak nem tegyen be a készülékbe mert feszültség alatt lévő pontokat és alkatrészeket érinthetnek, ami tüzet vagy áramütést okozhat. Ne helyezzen folyadékkal telt tárolóedényeket a készülékre.
14. Tisztítás - A tisztítás előtt mindig húzza ki a készüléket a fali csatlakozóból. Port száraz ruhával távolítsa el. Ha a tisztításhoz aeroszolt használ, ne irányítsa közvetlenül a készülékre, de a ruhára. Ügyeljen arra, hogy ne sértse meg a meghajtó egységeket.
15. Kiegészítő berendezések - Ne használjon olyan tartozékokat, amelyek nem a gyártó által jóváhagyott, mivel azok veszélyt jelentenek.
16. Tartozékok - Ne helyezze a készüléket instabil kocsira, állványra, konzolra vagy asztalra. A készüléket megsérülheti és súlyos sérülést okozhat egy gyermek vagy egy felnőtt számára. Csak a gyártó által jóváhagyott vagy készülékkel eladó kocsit, állványt, konzolt vagy használható. A készüléket gyártói útmutató szerint felszerelhető.

17. A berendezés áthelyezése - a kocsin levő készüléket nagyon óvatosan mozdulni kell. Gyors fékezés, túlzott erőltetés és az egyenetlen felületek miatt felborulhat a készülék.
18. A berendezés nem használata - Ha a berendezést hosszabb ideig nem használja, áramtalanítsa azt.
19. Szerviz - Soha ne próbálja meg a hibás készüléket megjavítani, minden esetben forduljon ügyfélszolgálatához. Ne nyissa fel a készüléket - ez csak szakember teheti meg. A karbantartási munkákat hagyja szakképzett személyzetre. Egyéb esetekben magát és másokat is veszélyeztet.
20. Ha a berendezést hosszabb ideig nem használja, áramtalanítsa azt. Ha a készülék csatlakoztatva van egy áramforráshoz, ez készenléti üzemmódban, és nem teljesen kizárt.
21. Pótalkatrészek - Alkatrészek cseréjekor ellenőrizze, hogy a szolgálati munkavállaló használt pótalkatrészeket a gyártó által meghatározott, vagy ugyanilyenek, mint az eredeti rész. Nem engedélyezett részek esetében tűz, áramütés vagy egyéb veszély veszélye van.
22. Főbiztosítékok – Állandó készülék biztosításához megfelelő típusú és paraméterű biztosítékokat használni kell. Biztosítékok paramétereit a készülékben vannak.
23. Ne növelje a hangerőt a kis hangerőjű dal vagy a bemenő audiojel hiányában mellett. Ellenkező esetben maradandó halláskárosodáshoz vezethet.
24. A hálózattal történő kiscsatlakoztatáshoz a villásdugót teljesen nyomja ki a konnektorból. A aljzat vagy kábel bemeneti teljesítmény a készülék mindig elérhetőnek kell lenni a használat során a termék.
25. A készüléket a konnektor vagy hosszabbító közelében el kell helyezni, oly módon, hogy mindig rendelkezésre áll.
26. A készülék maximális környezeti hőmérséklete 35 ° C.
27. Irányelvek az elektrosztatikus károsodásról – ha a készülék működése zavarban van az elektrosztatikus készülék miatt, ki kell kapcsolni és újrapcsolni vagy más helyre mozdulni.
28. Elem
 - a. Ne helyezze a készüléket fűtőtestek vagy más hő sugárzó források közelébe. Kerülje a berendezés közvetlen napfényrel.
 - b. Az akkumulátor kidobása alatt, fordítson figyelmet a környezetvédelemre.
 - c. Vigyázat elemek használatára vonatkozó: annak érdekében, hogy megakadályozza az elem szivárgását amely sérülést vagy kárt okozhat:
 - az elemek elhelyezése alatt, fordítson figyelmet a polaritásra (+ és -)
 - ne használjon különböző elemeket egyszerre – régi és új normál és alkalikus stb.
 - Vegye ki az elemeket a készülékből, ha nem használja hosszabb időre.

ERP2-ről megjegyzések (energiával kapcsolatos eszközök)

Ez a készülék ökoprojekttel megfelel a 2. szakasz bizottsági rendelet (EC) No 1275/2008 irányelvet átültető 2009/125/EK energiafogyasztásról a fogatékall élő és működő készenléti üzemmódban elektronikus eszközökről irodában és házban. 15 perc a bevételi jel nélkül után, a készülék automatikusan készenléti üzemmódba átkapcsol. Információk a normál működésbe helyreállításáról az útmutatóban megtalálható.

Fontos információk

Ez a készülék fel van szerelve egy energiatakarékos üzemmóddal: 15 perc a bevételi jel nélkül után, a készülék automatikusan készenléti üzemmódba átkapcsol (ERP2 szabvány). Meg kell jegyezni, hogy az alacsony hangerő az lehet ismerni "nincs hangként": ez befolyásolja a jel elismerésére és automatikusan készenléti üzemmódba kapcsolására. Ebben az esetben vissza kell állítani az audiójel adása vagy növelni a hangerőt a hangforrásban (MP3-lejátszó, stb). Ha a probléma továbbra is fennáll, lépjen kapcsolatba a helyi márkaszervizzel.

FIGYELEM

A készüléket nem használhatják olyan személyek (beleértve a gyerekeket), akik testi, érzékszervi vagy szellemi fogyatékoságtól szenvednek és az elégtelen tudású és tapasztalatú is, ha a felelős személy nem felügyeli és nem kapták elég információ a készülékről. Felnöttek jelenlétére szüksége van ha a gyerekek használják a készüléket. Ez biztosítja a biztonságos használatát.

1. Soha ne hagyja a gépet felügyelet nélkül! Kapcsolja ki készüléket, ha nem használ, bár egy rövid ideig.
2. Ne használja a készüléket egy külső órajel időzítővel, vagy egy külön távvezérlő rendszerrel.
3. Kockázatának elkerülése érdekében a a tápkábel megsérülése esetében, a cserét gyártónak kell végezni, meghatalmazott szolgáltató, vagy más személy aki rendelkezik megfelelő képesítéssel.
4. Mielőtt használatba venné a készüléket, ellenőrizze, hogy a hálózati feszültség megegyezik a feszültséggel előforduló helyi hálózatban.
5. Ne tegye a készüléket puha felületre, pl. takaróra, szőnyegre vagy függönyök, falikárpit közelébe, mert a szellőzés nyílások takarásba kerülhetnek, ezáltal a szükséges levegőcsere nem valósul meg. Győződjön meg arról, hogy a készüléktől legalább 20 cm szabad hely, és a két oldalán - legalább 5 cm-t.
6. Amennyiben a készülékbe idegen anyag, test vagy folyadék kerül, ne helyezzen folyadékkal telt tárolóedényeket, pl. virágvizet a készülékre.
7. Tűzveszély és egy esetleges áramütés elkerülése végett, a készüléket ne tegye ki esőnek vagy nedvességnek.
8. A berendezést ne használja fűrdőkádak, úszómedencék vagy fröcskelt vízforrás közelében. Tartsa meg stabil helyeken.
9. Ne tegye ki erős mágneses mezőre.
10. Ne helyezze a készüléket közvetlenül az erősítőn vagy vevőn.
11. Ne helyezze a készüléket páras helyen, mert a nedvességnek hátrányos hatása van az elektromos alkatrészekre.
12. A készülék hozása a hideg helyről meleg vagy nedves helyre páralecsapódás a lencsén a lejátszó belsejében történhet. Ebben az esetben a készülék nem helyesen működhet. Hagyja a gépet bekapcsolva körülbelül egy óráig, hogy lehetővé tegye a nedvesség párolgást.
13. Ne tisztítsa a készüléket kémiai oldószerekkel, a készülék lakk megsemmisítése miatt. Az eszköz tiszta, száraz vagy enyhén nedves ruhával tisztítható.

14. A konnektorból történő kihúzás esetén ne a kábelt, hanem a villásdugót húzza ki.
15. A készülék működik a bekapcsolt tévé mellett, ez a zaj a képernyőn forrása lehet. A TV adás hullámaintól függő. Azt nem jelenti hibás se tévé se rádió működését. Ebben az esetben távolítsa a készüléket a tévétől.
16. A hálózati csatlakozó a hálózathoz kihúzásához használható. Fontos, hogy mindig elérhető.
17. Annak érdekében, hogy a lézerfej tiszta legyen, nem szabad érinteni és midig be kell zárni a lejátszószózbáz.
18. Lejátszás közben a lemez nagy sebességgel forog. NEM SZABAD felemelni vagy mozdulni a készüléket a lejátszás alatt. Ez károsíthatja a lemezt, vagy az eszközt.
19. A készülék mozgatása előtt ki kell venni a lemezt és bezárni a lejátszószózbát. Ezután kapcsolja ki a készüléket, és húzza ki a tápkábelt. A készüléket, a lemezzel bent, károsíthatja a lemezt és a készüléket.
20. A lemez lejátszása után helyezze el a csomagban. Ne tegye ki a lemezt közvetlen napfényre és hőforrásra. Ne hagyja lemezeket egy parkolt autó belsejében.
21. Ne érintse meg a címke nélküli lemez oldalát. A lemezt a szélénél fogja, hogy ne hagyja ujjlenyomatokat. Por, ujjlenyomatok, karcolások üzemzavart okozhatnak. Ne szereljen cetliket vagy szalagat a lemezen.
22. Az lemez tiszta, száraz ruhával tisztítható. Úgy kezdődik tisztítás lineárisan a városközponttól.
23. Hogy megakadályozzák az esetleges halláskárosodást, ne hallgass hangosan zenét egy hosszú ideig.



FIGYELEM: SUGÁRZÁS FORRÁSA

CLASS 1 LASER PRODUCT
LUOKAN 1 LASERLAITE
KLASS 1 LASERAPPARAT

Éz a címke azt jelenti, hogy a készülék belsejét a lézer alkatrészek vannak. A fedelet megnyitása a biztonsági blokkoló mulasztásával, sugárzó veszélyt okozhat. Ne nézd meg a lézersugárra működés közben.

KÉSZÜLÉK BEKAPCSOLÁSA ELŐTT

Megjegyzések: kompaktlemezről

Mivel a piszkos, sérült vagy deformálódott lemezeket károsíthatják a készüléket, fordítson figyelmet az alábbiakra:

- a. Kompaktlemez amelyeket használni lehet. Csak lent említett lemezek használhatóak.
- b. Csak digitális audióval lemezek.

COMPACT
disc
DIGITAL AUDIO



FIGYELEM

Megfelelőség

A Blaupunkt Competence Center 2N-Everpol Sp. z o.o. kijelenti, hogy ez a készülék megfelel a 2014/53/EU irányelv alapvető követelményeink és más vonatkozó rendelkezéseinek. A megfelelőségi nyilatkozat a termék honlapjáról szerezhető be: www.blaupunkt.com.

Felélős fél: 2N-Everpol Sp. z o.o, Puławska 403A, 02-801 Varsó, Lengyelország, telefon: +48 22 331 99 59, e-mail: info@everpol.pl



A termék kiváló minőségű anyagokból és alkatrészekből áll, újrahasznosíthatók és újra felhasználhatók.



Ha a készüléken az áthúzott szeméttároló van, azt jelenti, hogy a termék 2002/96/WE számú európai uniós irányelv megkívánja. Kérjük, olvassa el a követelmények a helyi rendszerről a hulladék elektromossal és elektronikus berendezésekkel kapcsolatos. Helyi követelmények szerint csinálni kell. Ne dobja a terméket a normál háztartási szeméttel. Megfelelő a régi termék ártalmatlanítása segít megelőzni a lehetséges negatív következményeket a környezetre és az emberi egészségre.



A készülék fel van szerelve akkumulátorral ami megfelel a 2013/56/EK európai irányelv követelményeinek. Ne dobja az elemet a normál háztartási szeméttel. Kérjük, olvassa el a követelmények a helyi rendszerről a hulladék elektromossal és elektronikus berendezésekkel kapcsolatos. Helyi követelmények szerint csinálni kell. Ne dobja a terméket a normál háztartási szeméttel.

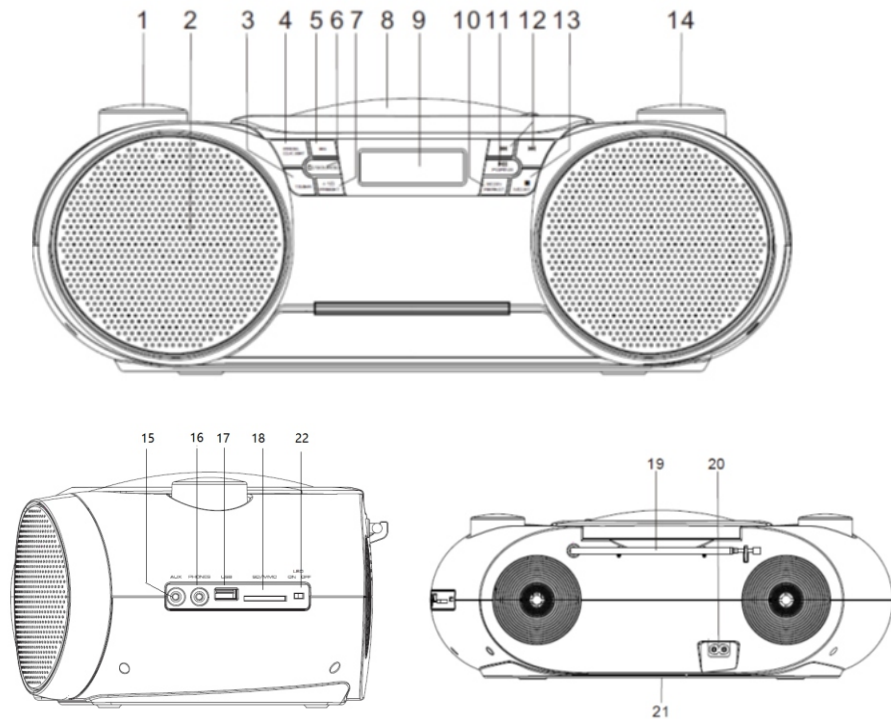
Információk a környezetvédelemről

A csomag csak a szükséges elemeket tartalmaz. Minden erőfeszítést tettek, hogy a csomagolóanyag három összetevője könnyen elkülönített legyen: karton (doboz), polisztirol (belső biztonság) és polietilén (zacskó, védő lap). A készülék olyan anyagból készült, melyek újrahasznosíthatók és szétszerelhetők. Kérjük, olvassa el a követelmények a helyi rendszerről a hulladék elektromossal és elektronikus berendezésekkel kapcsolatos. Felvételhez és lejátszáshoz engedélyre van szükség. Lásd a szerzői jogi törvényt, valamint az előadók / művészek jogairól.



A Bluetooth[®] szó márkajelzés és logók a Bluetooth SIG, Inc. bejegyzett védjegyei, és ezen márkajelzéseket engedéllyel használjuk. Más védjegyek és márkanevek a vonatkozó tulajdonoshoz tartoznak.

Vezérlőelemek elhelyezése



- | | |
|---|--|
| 1. LED/hangerőszabályozó gomb | 2. Hangszóró |
| 3. Időzítő | 4. Programozás gomb (program) / órábeállító gomb (clock set) |
| 5. Hangszínszabályzó (EQ) beállítása (nomal / rock / pop / jazz / classic) | |
| 6. Bekapcsolás (power) / hangforrás választó (source) | |
| 7. + 10 / előbeállítás (preset) | 8. CD-lejátszó fedele |
| 9. LCD kijelző | |
| 10. Szkenelés (scan) / ismétlés (repeat) gomb - egy zeneszám ismétlése / mindegyik zeneszám ismétlése / mindegyik zeneszám véletlenszerű lejátszása | |
| 11. Lejátszás (Play) / szüneteltetés (Pause), BT készülék párosítás gomb (pairing) | |
| 12. Előző (previous) / következő (next) zeneszámra ugrás | |
| 13. Stop gomb / mono/stereo mód váltás. | 14. Frekvencia beállító forgatógomb |
| 15. AUX-IN bemenet | 16. Fülhallgató csatlakozó |
| 17. USB csatlakozó | 18. SD / MMC kártyafoglat |
| 19. FM antenna | 20. Tápcsatlakozó |
| 21. Elemtartó | 22. LED ON/OFF |

Tápellátás bekapcsolása

AC tápforrás: csatlakoztassa a mellékelt kábelt a készülék hátulján található AC csatlakozóhoz, majd a tápforrás bekapcsolásához helyezze a dugót fali AC aljzatba.

DC tápforrás (akkumulátoros működtetés): nyissa ki az elemtartó fedelét és helyezzen be 8 db UM1 / 1,5 V típusú elemet (a készlet nem tartalmazza az elemeket) a gravírozott pozitív és negatív polaritásnak megfelelően. Ezt követően zárja be az elemtartó fedelét.

A tápforrás csatlakoztatása után a kijelző bekapcsol. A lejátszás forrásának kiválasztásához nyomja meg a bekapcsolás (power) / hangforrás választó (source) gombot, a kikapcsoláshoz (készületi állapotba állításhoz) pedig tartsa lenyomva 2 másodpercig. Fali aljzatról érkező tápellátás esetén az elemek automatikusan lecsatlakoztatásra kerülnek.

Megjegyzések:

- a. Az elem alacsony töltöttsége hangtorzítást eredményez, ebben az esetben az elemeket újakra kell cserélni. Az elemeket környezetkímélő módon kell tárolni, tartsa be a helyi vonatkozó előírásokat.
- b. Ne helyezzen be különböző gyártóktól származó elemeket; a folyadék kijutásának megelőzése érdekében vegye ki az elemeket ha a készülék hosszabb ideig használaton kívül marad.

Óra és ébresztő beállítása

Óra beállítása: a készenléti állapot bekapcsolásához (standby) tartsa lenyomva 2 másodpercig a bekapcsolás (power) / hangforrás választó gombot (source), a beállítás megkezdéséhez tartsa lenyomva 2 másodpercig a programozás (program) / órabéállítás (clock set) gombot, az óraformátum - 12/24 óra kiválasztásához nyomja meg az előző / következő (next) gombot, a beállítás jóváhagyásához ismét nyomja meg a programozás (program) / órabéállítás (clock set) gombot, az óra és percek beállításához ismétlje meg az előző műveletet.

Ébresztő beállítás: Készenléti állapotban az ébresztő beállításához tartsa lenyomva 2 másodpercig a „TIMER” gombot, a kijelzőn a számok villogni fognak; Az óra beállításához nyomja meg az előző (previous) / következő (next) gombot, majd a jóváhagyáshoz ismét a „TIMER” gombot; a percek beállításához / ébresztő forrásának (CD / USB / SD / BERREGŐ / FM) / ébresztő hangerejének stb. beállításához ismétlje meg az előző műveletet.

a. Az óra és ébresztő csak bekapcsolt tápforrás mellett működik. Áramkimaradás esetén ismételten be kell állítani az órát és az ébresztőt.

b. készenléti (standby) állapotban a „TIMER” gomb rövid megnyomásával kikapcsolható és bekapcsolható az ébresztő.

c. Az ébresztő bekapcsolásakor a bekapcsolás (power) / hangforrás (source) gomb rövid megnyomásával, vagy a „TIMER” gomb megnyomásával lehet azt kikapcsolni. Az ébresztőt a következő napon ugyanekkor fog bekapcsolni.

d. Az ébresztő kikapcsolás nélkül 5 percig működik.

e. Ha az ébresztő forrásaként CD / USB / SD került beállításra, meg kell győződni arról, hogy megfelelő adathordozó van behelyezve (CD-lemez, SD kártya, USB tároló), ellenkező esetben a berregő fog bekapcsolni.

CD kezelése

A készülék CD / CD-R / CD-RW / MP3 formátumú CD lemezek lejátszására képes. A lejátszás megkezdése előtt ellenőrizze le a CD lemez formátumát és győződjön meg arról, hogy a CD tiszta és nem sérült.

CD lemez lejátszása: nyissa ki a CD lejátszó fedelét, helyezze be a CD lemezt, majd zárja le a fedelet. Nyomogassa a bekapcsolás (power) / hangforrás (source) gombot a CD mód bekapcsolásához; ezt követően a készülék leolvassa a CD-lemezt és automatikusan elindítja a lejátszást.

CD-lemez lejátszásakor a hangerősség beállításához forgassa el a hangerősség szabályozó gombot; a lejátszás elindításához vagy szüneteltetéséhez nyomja meg a lejátszás (Play) / szüneteltetés (Pause) gombot; nyomja meg a stop gombot a lejátszás leállításához; a zeneszám kiválasztásához röviden nyomja meg az előző (previous) / következő (next) gombot; a zeneszám előre vagy hátratekeréséhez tartsa lenyomva ezeket a gombokat, egy zeneszám / mindegyik zeneszám ismétléséhez, vagy a véletlenszerű lejátszás bekapcsolásához nyomogassa az ismétlés (repeat) gombot; a +10 gomb rövid megnyomása 10 zeneszámmal lépteti át a lejátszást; a hangszínszabályzó bekapcsolásához az EQ gombot nyomja meg.

Lejátszás beprogramozása (max. 20 zeneszám CD lemezen és 99 zeneszám MP3 lemezen): nyomja meg a stop gombot; a programozás megkezdéséhez nyomja meg a programozás (program) gombot; a kijelzőn „P01” és „PROG” feliratok jelennek meg; a beprogramozni kívánt zeneszám kiválasztásához nyomja meg az előző (previous) / következő (next) gombot, majd a jóváhagyáshoz nyomja meg a programozás (program) gombot; a zeneszám P01-ként kerül elmentésre. Ismétlje meg ezt a lépést a „FUL” felirat megjelenéséig, mely a memória betelését jelenti. A beprogramozott zeneszám lejátszásához nyomja meg a lejátszás (Play) gombot; a beprogramozott lejátszás törléséhez nyissa fel a CD lejátszó fedelét, vagy nyomja meg kétszer a stop gombot.

FM rádió kezelése

A rádió használata előtt húzza ki teljesen az FM antennát és a jobb vétel érdekében helyezze a készüléket ablakhoz közel.

Keresés és automatikus keresés: a sávzélesség lefelé és felfelé történő automatikus kereséséhez tartsa lenyomva 2 másodpercig az előző (previous) / következő (next) gombot; az elérhető rádióállomások kikereséséhez és automatikus elmentéséhez nyomja meg a keresés (scan) gombot (maximum 40 rádióállomás menthető el). A beprogramozott rádióállomás kiválasztásához és elindításához nyomja meg a + 10 / előzetes beállítás (preset) gombot.

Rádióállomások kézi elmentése: A kívánt rádióállomás frekvencia beállító forgatógombbal vagy szkennelés (scan) gombbal való kiválasztása után először a programozás (program) gombot nyomja meg, majd forgassa el a frekvencia beállító forgatógombot ahhoz, hogy beállítsa a rádióállomás memóriaszámát, majd a beállítás jóváhagyásához nyomja meg a programozás (program) gombot; a többi rádióállomás elmentéséhez ismétlje meg ezt a műveletet.

FM rádió módban gyengébb jelerősségű rádióállomás hallgatásakor a mono mód bekapcsolásához nyomja meg a stop / mono/stereo gombot.

SD kártya / USB leolvasása

SD kártya / USB leolvasása előtt másoljon át MP3 formátumú zeneszámokat a megfelelő adathordozóra (maximum 32 GB tárhely), majd helyezze be azt az USB / SD aljzatba.

Az USB/SD mód bekapcsolásához nyomja meg néhányszor a hangforrás kiválasztó (source) gombot, ezt követően a készülék automatikusan leolvassa az audio fájlokat és egy idő után elindítja a lejátszást.

USB lejátszásakor a lejátszás elindításához vagy szüneteltetéséhez nyomja meg a lejátszás (Play) / szüneteltetés (Pause) gombot; nyomja meg a stop gombot a lejátszás leállításához; a zeneszám kiválasztásához röviden nyomja meg az előző (previous) / következő (next) gombot; a zeneszám előre vagy hátratekeréséhez tartsa lenyomva ezeket a gombokat, egy zeneszám / mindegyik zeneszám ismétléséhez, vagy a véletlenszerű lejátszás bekapcsolásához nyomogassa az ismétlés (repeat) gombot; a +10 gomb rövid megnyomása 10 zeneszámmal lépteti át a lejátszást; a hangszínszabályzó bekapcsolásához az EQ gombot nyomja meg.

Megjegyzés:

- Nem ajánlott USB hosszabbító használata, mivel lejátszás közben interferenciát okozhat.
- az eltérő szerkezetekre és gyártókra való tekintettel nem garantált mindegyik USB eszköz megfelelő olvasása.
- Nem garantált mindegyik MP3 fájl hibátlan lejátszása.

Bluetooth kezelése

A készülék Bluetooth funkcióval rendelkezik, mely lehetővé teszi a vezeték nélküli, más készülékről történő lejátszást.

Párosítás: Nyomogassa a hangforrás kiválasztó (source) gombot a „BT” felirat megjelenéséig. Ezt követően kapcsolja be a Bluetooth funkciót a külső készüléken, pl. okostelefonon stb. (Olvassa el az adott készülék használati útmutatóját), nyissa meg az elérhető Bluetooth készülékek listáját és válassza ki a „BP BB31 LED” pozíciót; a készülékek megfelelő párosítása után egy hangjelzés hallatszik; ezt követően a külső készüléken válassza ki és játssza le a zeneszámot - a hang ennek a készüléknek a hangszóróiból fog szólni.

A lejátszás szüneteltetéséhez vagy folytatásához Bluetooth módban a lejátszás (Play) / szünet (Pause) gombot nyomja meg; a zeneszám kiválasztásához használja az előző (previous) / következő (next) gombot; a párosított készülék lecsatlakoztatásához tartsa lenyomva 2 másodpercig a BT párosítás (pairing) gombot, a készülék ezt követően ismételtelen párosítható más Bluetooth funkcióval rendelkező készülékekkel.

Megjegyzések:

- az eltérő szerkezetekre és gyártókra való tekintettel nem garantált mindegyik Bluetooth készülék megfelelő párosítása.
- A Bluetooth legjobb működését biztosító távolság akadályok nélkül max. 10 méter.
- Bejövő hívás esetén a Bluetooth lejátszás szüneteltetésre kerül, a hívás befejezése után pedig automatikusan folytatódik.

AUX IN / Vezetékes / MP3 Link mód kezelése

A 3,5 mm-es audió kábel segítségével csatlakoztassa a külső eszköz (pl. MP3 lejátszó, stb.) audió kimenetét a készülék hátulján található AUX-IN bemenettel. Az AUX-IN mód kiválasztásához kapcsolja be a készüléket és nyomja meg a hangforrás kiválasztó (source) gombot; a külső eszközön válassza ki és játssza le a zeneszámot, a hang ennek a készüléknek a hangszóróiból fog szólni. Érdemes szem előtt tartani, hogy ebben az esetben a vezérlésért a külső eszköz felel, ezen a készüléken pedig kizárólag a hangerő állítható be.

Fülhallgató kimenet: (CD / USB / SD / AUX / Bluetooth / rádió) lejátszási módban csatlakoztassa a fülhallgatót a készülék hátsó panelén található fülhallgató csatlakozóba. A hangszórók automatikusan némitásra kerülnek, a hang a fülhallgatóból fog szólni

Altató funkció (SLEEP): Lejátszáskor az altatás idejének beállításához (10/20/30/40/50/60/70/80/90 perc / kikapcsolva) nyomogassa a „TIMER” gombot. A készülék a beállított idő leteltével automatikusan kikapcsol.

LED lámpa kikapcsolása/bekapcsolása

A LED lámpa bekapcsolásához és kikapcsolásához nyomja meg, majd tolja el a készülék hátsó panelén található be- és kikapcsoló gombot; A hangerő-szabályozó rövid megnyomása lehetővé teszi a LED lámpa színének és világítási módjának kiválasztását (8 mód választható ki, vagy teljesen kikapcsolható).

Műszaki adatok

Áramforrás: AC 100-230V ~ / 50Hz;
Tápforrás 12V DC (8db x UM1, 1.5V, a készlet nem tartalmaz elemeket);
FM sávszélesség: 87,5 ~ 108,0 MHz;
Kezelt lemezformátumok: CD, CD-R, CD-RW, MP3-CD,
RMS Kimeneti teljesítmény: 2 x 6Watt;
USB aljzat paraméterei: 5V / 500mA (nem használható töltésre);
USB aljzat kompatibilitás: max. 32 GB tárhellyel rendelkező adattároló, MP3 formátumú audió fájl;
Bluetooth: EDR + 4.2 verzió; 10 méteres hatótávolság.
Áramfelvétel: 14W;
Áramfelvétel készenléti állapotban: < 1W;
(a fenti adatok előzetes értesítés nélkül módosulhatnak)

Problémák elhárítása

- A készüléket nem lehet bekapcsolni.
 - Ellenőrizze le, hogy a DC tápellátás megfelelően lett-e csatlakoztatva.
 - További probléma esetén vegye fel a kapcsolatot a szervizközponttal.
- Rádiócsatorna rossz vételi minősége.
 - Helyezze a készüléket a jobb vétel érdekében ablak közelébe, vagy változtassa meg az antenna helyzetét.
 - Próbáljon ki másik rádiócsatornát.
 - Probléma esetén vegye fel a kapcsolatot a szervizközponttal.
- A készülék nem olvassa a CD lemezt és USB háttértárolót.
 - Kérjük ellenőrizze le, hogy a CD lemez vagy az audió fájlok megfelelőek-e.
 - Probléma esetén vegye fel a kapcsolatot a szervizközponttal.
- A Bluetooth lejátszás szaggat.
 - Próbálja meg a Bluetooth eszközt a készülék közelébe helyezni.
 - Kapcsolja ki a Bluetooth funkciót majd ismét kapcsolja be.

VAŽNE SIGURNOSNE UPUTE



UGROŽENJE OD ELEKTRIČNOG
UDARA NEMOJTE OTVARATI

Oprez:

Kako bi se smanjila opasnost od električnog udara, nemojte skidati poklopac niti stražnj dio uređaja. Unutar uređaja ne postoje komponente za popravak od strane korisnika. Održavanje i popravak opreme izvršava isključivo kvalificirano servisno osoblje.

Objašnjenje grafičkih simbola:



Simbol munje sa sa strelicom koji se nalazi u jednakostraničnom trokutu upozorava na prisutnost neizoliranog, opasnog napona unutar kućišta uređaja koja može postići veličinu uzrokujuću strujni udar.



Uskličnik unutar jednakostraničnog trokuta upozorava korisnika da ovdje su prezentirane važne poruke za rad i održavanje opreme u dokumentaciji priloženoj uređaju.

Pročitajte ovaj priručnik prije uporabe uređaja da se upoznate sa značajkama i kako koristiti uređaj sukladno namjeni. Ovo će osigurati dugotrajan, besprijekoran rad uređaja i zadovoljstvo uz korištenje.

Važne informacije

- Sačuvajte operativne upute i sigurnosne informacije kako bi se ih moglo koristiti u budućnosti.
- Nemojte dopustiti da na uređaj kapa ili proliva se bilo koja tekućina.
- Ne smijete se također koristiti na vlažnim mjestima, kao što su npr. kupaoonica.
- Ne postavljajte uređaj na sljedećim mjestima:
- Izložen suncu ili blizu grijalica.
- Na vrh druge stereo opreme koja generira toplinu.
- Tako da blokira ventilaciju ili u prašnjavom mjestu.
- U okruženju izloženom neprekidnim vibracijama.
- U područjima visoke vlage.
- Ne postavljajte uređaj blizu otvorenog plamena ili otvorene vatre.
- Uređaj se može koristiti samo na način opisan u ovim uputama.
- Prije prvog uključivanja napajanja, pobrinete se da je napajanje ispravno pripojeno.
- USB memoriju se pripaja neposredno ili preko produžnog USB kabela s dužinom do 25 cm.

Iz sigurnosnih razloga, nemojte skidati poklopce ili pristupiti unutrašnjosti uređaja. Uređaj smije popravljati samo kvalificirano servisno osoblje.

Nemojte rastavljati uređaj ili otvarati njegovo kućište, jer unutra nema dijelova koje bi se moglo popraviti od strane korisnika. Ržavanje i popravak opreme izvrši isključivo kvalificirano servisno osoblje.

Sigurnosne upute

1. Pročitajte upute - prije uporabe stroja, pročitajte sve upute i informacije o sigurnosti.
2. Sačuvajte ove upute - zadržite upute za upotrebu i održavanje kako bi se ih moglo koristiti u budućnosti.
3. Poštujte upozorenja - slijedite sva upozorenja objavljena na uređaju te koje se nalaze u uputama.
4. Slijedite upute - slijedite upute i preporuke za korisnike.
5. Montaža - montirajte uređaj prema uputama proizvođača.
6. Izvori energije - uređaj treba napajati samo iz izvora koji je naveden na naljepnicama na kabelu napajanja. Ako niste igurni koju vrstu napajanja ima vaša kuća, obratite se prodavatelju ili lokalnoj energetskoj tvrtki.
7. Uzemljenje ili polarizacija napajanja - uređaj ne mora biti uzemljen. Provjerite je li utikač potpuno umetnut u utičnicu ili u produžni kabel, kako bi se spriječio otkriće igle ili kontakata. Neke verzije stroja mogu biti opremljene polariziranim utikačem izmjenične struje (jedna lopatica je šira). Ovaj utikač se može umetnuti u utičnicu samo na jedan način. Ovo je sigurnosna značajka. Ako ne možete staviti utikač u utičnicu, pokušajte ga okrenuti. Ako utikač i dalje ne odgovara utičnici, pozovite električara da to promijeni. Ne skidajte zaštitu polariziranog utikača. Kada koristite produžni kabel ili kabel za napajanje osim isporučenog s uređajem morate imati odgovarajuće čepove i potvrdu o sigurnosti potrebnu za određenu zemlju upotrebe.
8. Osiguranje kabela za napajanje - energetski kabeli moraju biti preusmjereni na takav način kako ne bi se moglo kroz njih hoditi, pritiskivati ili obrezivati bilo kojim postavljenim objektima. Obratite posebnu pozornost na utikače, utičnice i mreže, gdje kabeli izlaze iz uređaja.
9. Preopterećenja - nemojte preopteretiti zidne utičnice, produžne kabele i električne distributere, jer ovo baš može dovesti do požara ili strujnog udara.
10. Ventilacija - uređaj mora biti pravilno provjetran. Ne postavljajte uređaj na krevet, kauč ili drugu sličnu površinu. Nemojte prekrivati stroj stolnjakom, salvetom, novinama i sl.
11. Vrućina - nemojte postavljati uređaj u blizini izvora topline kao što su grijači, radijatori, peći i ostali uređaji (pojačala) koji stvaraju toplinu. Ne stavljajte na uređaj upaljenih svijeća i drugog otvorenog plamena.
12. Voda i vlaga - kako bi se smanjio rizik od požara ili električnog udara, nemojte izlagati uređaj kiši, vlazi i vodi, na primjer u sauni ili u kupaonici. Ne koristite ovaj proizvod u blizini vode, primjerice blizu kade, umivaonika, sudopera ili kade za pranje rublja, u vlažnom podrumu ili blizu bazena (ili u drugim sličnim mjestima).

14. Čišćenje - uvijek prije čišćenja isključite uređaj iz zidne utičnice. Prašinu oko zvučnika se može ukloniti suhom krpom. Ako za čišćenje će se koristiti sredstvo u obliku aerosola, sprej ne bi se smjelo da bude usmjeren izravno na stroj, ali tkaninu. Budite oprezni da ne oštetiti pogonske jedinice.
15. Dodatna oprema - nemojte koristiti pribore koji nisu odobreni od strane proizvođača, jer mogu predstavljati prijetnju za rad uređaja i za samog korisnika.
16. Pribori - nemojte postavljati uređaj na nestabilne kolice, stalku, tronožcu, nosaču ili stolu. Uređaj se može kotrljati i oštetiti se ili uzrokovati ozbiljne ozljede djece ili odraslim osobama. Koristite samo kolice, stalke, tronožce, nosače ili stolove kojih preporučuje proizvođač ili se ih prodaje zajedno s uređajem. Montažu uređaja se mora provesti u skladu s uputama proizvođača, koristite pribore za ugradnju oobrene od strane proizvođača.
17. Premještanje stroj - uređaj postavljen na kolicama mora se premješati vrlo pažljivo. Naglo zaustavljanje, previša sila i neravne površine mogu uzrokovati da kolica s uređajem prevrne.
18. Vrijeme bez korištenja uređaja – kabel napajanja mora biti isključen iz zidne utičnice tijekom grmljavinskog nevremena ili ako se ga ne koristi duže vrijeme.
19. Servisiranje - ne pokušavajte pogledati unutrašnjost uređaja sami. Otvaranje poklopca može uzrokovati opasne napone i izložiti vas drugim opasnostima. Održavanje i popravak opreme vrši isključivo kvalificirano servisno osoblje.
20. Kada stroj nije u uporabi, izvucite mrežni utikač iz zidne utičnice. Kad je uređaj pripojen na izvor napajanja, uređaj je u stanju čekanja i nije u potpunosti isključen.
21. Rezervni dijelovi – tijekom zamjene dijelova, treba provjeriti dla li serviser je koristio rezervne dijelove koje preporučuje proizvođač ili dijelove koje su identične originalnim dijelom. Izrada zamjene neodobrenih rezervnih dijelova ugrožava od požara, strujnog udara ili drugih opasnosti.
22. Glavni osigurači – da bi se konstantno osiguralo uređaj od požara, koristite osigurače samo odgovarajuće vrstu i određenih parametara. Parametri osigurača u rasponu napona su označeni na uređaju.
23. Ne smije se da se poveća glasnoću dijela kad se sluša dio s niskom glasnoćom ili u slučaju odsutnosti ulaznog audio signala. Inače, s naglim porastom snage signala možete oštetiti zvučnik.
24. Jedini način da isključite uređaj iz izvora napajanja je takav da odspojite mrežni kabel iz zidne utičnice ili uređaja. Električna utičnica ili kabel ulazne snaga na uređaju mora biti uvijek na raspolaganju kada koristite proizvod.
25. Uređaj bi trebao biti instaliran u blizini utičnice napajanja ili produžnog kabela na takav način su oni uvijek na raspolaganju.
26. Maksimalna temperatura okoline uređaja je 35°C
27. Savjeti za elektrostatička pražnjenja - ako se rad prekine zbog elektrostatičkog pražnjenja, isključite uređaj ponovno ili premjestiti ga na drugo mjesto.
28. Baterija
 - a. Baterije se ne smije izlagati pretjeranoj toplini, npr. suncu, vatri i sličnim uvjetima.
 - b. Kod zbrinjavanja baterije, obratite pažnju na aspekte okoliša.
 - c. Ponašajte se oprezno tijekom korištenjem baterija: kako bi se spriječili curenje baterije, koje može uzrokovati ozljede ili oštećenja na uređaju:
 - , Pri umetanju baterija obratite pažnju na polaritet (+ i -).
 - , Nemojte koristiti različite baterije u isto vrijeme - stare i nove, alkalne baterije, standardne itd.
 - , Izvadite baterije iz uređaja kad se ga neće koristiti duže vrijeme.

UPOZORENJE

Uređaj ne smije biti korišten od strane osoba (uključujući djecu) sa smanjenim fizičkim, osjetljivim ili mentalnim sposobnostima te osoba s nedovoljnim znanjem i iskustvom, ako nisu one pod nadzorom osobe odgovorne za njihovu sigurnost i nisu obučeni o tome kako sigurno koristiti uređaj. Prisutnost odraslih je potrebna ako uređaj koriste djeca; ovo će osigurati sigurnu uporabu uređaja.

1. Nikada ne ostavljajte stroj da radi bez nadzora! Isključite uređaj kada nije u uporabi, čak i za kratko vrijeme.
2. Uređaj se ne može upravljati putem vanjskog sata s timerom, ili posebnim sustavom daljinskog upravljanja.
3. Da bi se izbjegla opasnost u slučaju štete za zamjenu kabela napajanja treba se obratiti proizvođaču, ovlaštenom servisu ili drugim stručnim osobama.
4. Prije uporabe uređaja, provjerite je li napon odgovara naponu koji je nastao u mrežnom naponu.
5. Nemojte prekrivati ventilacijske otvore uređaja, npr. papirom, tkaninama, zavjesama, itd. Uvjerite se da uređaj ima najmanje 20 cm slobodnog prostora, a na svakoj strani - najmanje 5 cm.
6. Nemojte dopustiti da na uređaj kapaju ili prolivaju tekućine, te nemojte stavljati posude s tekućinom, poput vaza.
7. Kako biste spriječili požar ili strujni udar, uređaj mora biti zaštićen od žarišta, kiše, vlage i prašine.
8. Ne postavljajte uređaj blizu izvora vode, npr. slavine, kade, bazena ili perlice rublja. Staviti uređaj na ravnu i stabilnu površinu.
9. Nemojte da uređaj izlažite jakim magnetskim poljima.
10. Nemojte da uređaj stavljajte izravno na pojačalu ili prijammiku.
11. Ne postavljajte uređaj na vlažnom mjestu, jer vlaga ima štetan učinak na električne komponente.
12. Dovođenje uređaja iz hladnog u toplo vlažnom mjestu može uzrokovati kondenzaciju na leći unutar playera. U ovom slučaju, uređaj neće raditi ispravno. Uređaj se mora ostaviti uključen oko jedan sat kako bi se omogućilo isparavanje vlage.
13. Izbjegavajte korištenje kemijskih otapala, jer mogu oštetiti boju kućišta. Uređaj se obriše čistom, suhom ili vlažnom krpom.
14. Prilikom uklanjanja utikača iz zidne utičnice, uvijek povucite utikač, a ne kabel.
15. Kada uređaj se koristi u blizini uključenog televizora, ovo može biti izvor buke ili slike u obliku linije na zaslonu uređaja. Ovo ovisi o propusnosti emitiranja valova. To ne označava kvar uređaja ili televizora, ako vidite takve linije, pomaknite uređaj dalje od TV prijammika.
16. Mrežni utikač se upotrebljava za isključivanje napajanja zato mora biti uvijek na raspolaganju.
17. Da bi ostala laserska glavu za čitanje CD-ploča čista, ne dirajte nju i uvijek zatvorite ulagač diska.
18. Tijekom reprodukcije, disk rotira velikom brzinom. NEMOJTE dizati ili pomicati uređaj tijekom reprodukcije, jer to može dovesti do oštećenja diska ili samog uređaja.
19. Prije premještanja uređaja na drugo mjesto ili za vrijeme za prelazak, izvadite disk i zatvorite ulagač diska. Zatim isključite napajanje i izvucite naponski kabel. Premještanje uređaja s diskom u ulagaču može uzrokovati štetu.

20. Nakon reproduciranja disk treba da bude smješten u paketu. Ne izlažite diskove izravnom sunčevom svjetlu i izvorima topline. Ne ostavljajte ploče u automobilu parkiranom na izravnom suncu.
21. Nikad ne dirajte disk sa strane bez naljepnice. Držite rub ploče, da ne ostavite otiske prstiju. Prašina, otisci prstiju ili ogrebotine diskova mogu uzrokovati pogrešan rad uređaja. Ne lijepite ljepljivu traku na disk.
22. Za čišćenje diska koristite čistu krpu bez dlačica. Počnite s čišćenjem o linearnom kretanju od središta prema rubu ploče, koristeći sredstva za čišćenje ili antistatička sredstva za vinilne ploče.
23. Da biste spriječili mogući gubitak sluha, ne slušajte glasno glazbu kroz duže vrijeme.



UPOZORENJE: IZVOR ZRAČENJA

CLASS 1 LASER PRODUCT
LUOKAN 1 LASERLAITE
KLASS 1 LASERAPPARAT

COMPACT
disc
DIGITAL AUDIO

Ova oznaka ukazuje na to da unutar uređaja se nalaze laserski komponenti. Otvaranje poklopca CD pretinca i izostavljanje bravi može uzrokovati izlaganje korisnika laserskom zračenju. Ne gledajte u lasersku zraku za vrijeme rada.

PRIJE POSLA

Napomene o diskovima.

Prljavi, oštećeni ili deformirani diskovi mogu uzrokovati oštećenja na uređaju, obratite pozornost na sljedeće:

- a. CD koji možete koristiti. Možete koristiti samo diskove navedene u nastavku.
- b. CD isključivo s digitalnim audio zvukom.

NAPOMENA



Izjava

Niže navedenim Blaupunkt Competence Center 2N-Everpol Sp. z o.o. izjavljuje da je ovaj proizvod u skladu sa zahtjevima i drugim relevantnim odredbama Direktive 2014/53/EU. Za potpunu Izjavu o sukladnosti posjetite stranicu www.blaupunkt.com na kartici proizvoda.

Odgovorni subjekt: 2N-Everpol Sp. Z o.o.

Puławska 403A, 02-801 Varšava, Poljska

Telefon: +48 22 331 99 59, e-mail: info@everpol.pl



Proizvod je izrađen od visokokvalitetnih materijala i dijelova koji se mogu reciklirati i ponovo upotrijebiti.



Ako vaš uređaj ima znak prekrížene kante za otpatke, ovo označava da je proizvod pokriven odredbama Europske direktive 2012/19/EU. Molimo poštuje zahtjeve lokalnog sustava za prikupljanje električnog otpada i elektroničke opreme. Radite u skladu s lokalnim propisima. Ne bacajte ovaj proizvod zajedno s kućnim otpadom. Ispravnim odlaganjem starog proizvoda spriječit ćete potencijalne negativne posljedice na okoliš i zdravlje ljudi.



Uređaj je opremljen sa baterijama obuhvaćenim Europskom direktivom 2013/56/EU. Baterije se ne smije odlagati zajedno s komunalnim otpadom. Molimo pogledajte lokalne propise o zasebnom prikupljanju baterija jer ispravnim odlaganjem spriječit ćete potencijalne negativne posljedice na okoliš i zdravlje ljudi.

Informacije o zaštiti okoliša

Paket uključuje samo nužne komponente. Svaki napor je napravljen da bit tri sastavni komponenti paketa lako odvojili: karton (kutija), polistirenska pjena (zaštita unutra) i polietilen (vrećica, zaštitna folija). Uređaj je izrađen od materijala koje se može reciklirati i ponovo upotrijebiti nakon demontaže od strane specijalizirane tvrtke. Poštujte lokalne propise o raspolaganju iskorišćenih ambalažnih materijala, baterija i nepotrebne opreme.

Snimanje i reprodukcija materijala može zahtijevati pristanak. Vidi Zakon o autorskim pravima i prava izvođača/umjetnika.

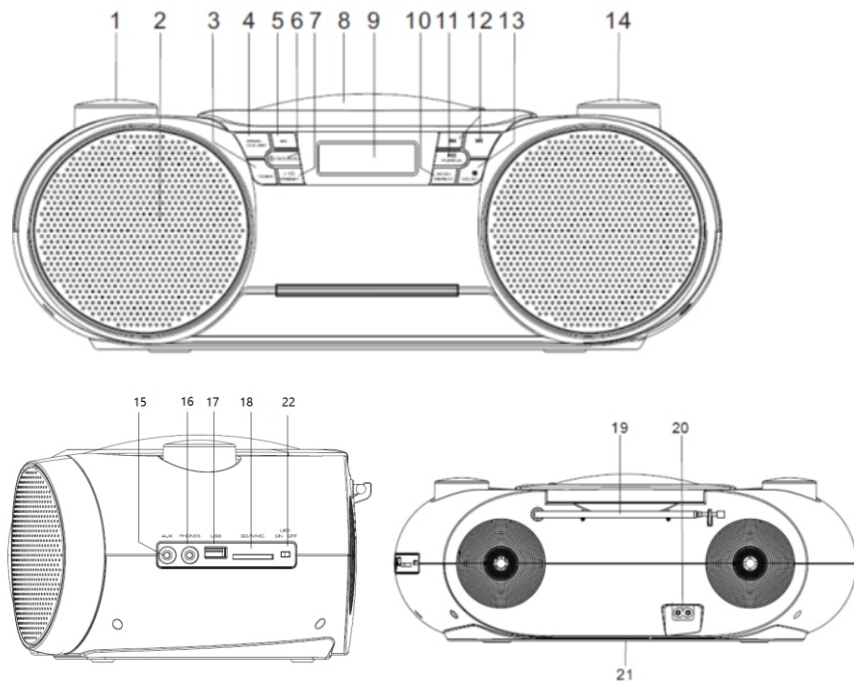
Napomena o ERP2 (oprema koja se odnosi na energiju)

Ovaj ekodizajnirani uređaj zadovoljava zahtjeve 2. faze Uredbe Komisije (EZ) br. 1275/2008 kojom se provodi Direktivu 2009/125/EZ o potrošnji energije od strane isključenih i elektroničkih uređaja ili uređaja u modu čekanja za uredsku i kućnu uporabu.



Vlasnik zaštitnog znaka i logotipa Bluetooth® je tvrtka Bluetooth SIG, Inc. USA. Upotreba tih znakova i logotipa podliježe licenciji. Ostali zaštitni znakovi i trgovački nazivi su u vlasništvu određenih vlasnika.

Položaj upravljačkih tipki



- | | |
|---|---|
| 1. Gumb za regulaciju jačine zvuka/LED | 2. Zvučnik |
| 3. Timer | 4. Tipka za programiranje (program)/ podešavanje sata (clock set) |
| 5. Tipka za promjenu režima ekvilizatora EQ (normal / rock / pop / jazz / classic) | 6. Tipka za uključivanje (power) / izbor izvora zvuka (source) |
| 7. + 10 / preliminarnu postavku (preset) | 8. Poklopac CD pogona |
| 9. LCD zaslon | 10. Tipka za skeniranje (scan) / ponavljanje (repeat) - ponavljanje jedne pjesme / ponavljanje svih pjesama / slučajna reprodukcija pjesama |
| 11. Reprodukcija (Play) / pauziranje (Pause), Tipka za povezivanje BT uređaja (pairing) | 12. Tipka za promjenu pjesme - prethodna (previous) / sljedeća (next) |
| 13. Tipka stop / promjena režima mono/stereo | 14. Tipka za podešavanje radija |
| 15. AUX-IN utičnica | 16. Utičnica za slušalice |
| 17. USB port | 18. SD / MMC utičnica |
| 19. Antena FM | 20. AC utičnica za napajanje |
| 21. Pretinac za baterije | 22. LED ON/OFF |

Priključivanje na napajanje

AC napajanje: pomoću priloženog kabla za napajanje priključite AC utičnicu na stražnjem panelu uređaja, a zatim umetnite utikač u AC utičnicu u zidu da biste dobili izvor napajanja.

DC napajanje (napajanje baterijama): otvorite poklopac pretinca za baterije i umetnite 8 baterija tipa UM1 / 1,5 V (komplet ne sadrži baterije) u skladu s utisnutim simbolom pozitivnog i negativnog polariteta. Zatim zatvorite poklopac pretinca za baterije. Nakon uspješnog priključivanja na napajanje, uključit će se zaslon. Pritisnite tipku za uključivanje (power) / izbor izvora zvuka (source) da biste izabrali izvor reprodukcije, pritisnite i zadržite ovu tipku 2 sekunde da biste isključili (prelazak u režim pripravnosti) uređaj. Baterije će se automatski isključiti kada će se uređaj napajati strujom.

Napomene:

- a. Zvuk će biti deformiran zbog istrošenosti baterija ili niske razine napunjenosti, u takvom slučaju treba zamijeniti baterije novima. Baterije se moraju skladištiti na ekološki prihvatljiv način. Obavezno poštovati zahtjeve lokalnih vlasti.
- b. Ne umičete baterije različitih proizvođača; da bi se izbjeglo curenje tekućine, ako se baterije ne koriste dulje vrijeme, treba ih izvaditi.

Podešavanje sata i alarma

Podešavanje sata: pritisnite i zadržite 2 sekunde tipku za uključivanje (power) / izbor izvora (source) da biste prešli u režim pripravnosti (standby), pritisnite i zadržite 2 sekunde tipku za programiranje (program) / podešavanje sata (clock set) da biste počeli s podešavanjem, pritisnite tipku prethodni / sljedeći da biste izabrali prikaz vremena - 12/24-satni, ponovno pritisnite tipku za programiranje (program) / podešavanje sata (clock set) za potvrđivanje izbora, ponavljajte prethodni postupak za podešavanje sata i minuta.

Podešavanje alarma: U režimu pripravnosti pritisnite i zadržite 2 sekunde „TIMER“ da biste počeli s podešavanjem alarma, brojke na zaslonu će treperiti. Pritisnite tipku prethodni (previous) / sljedeći (next) za podešavanje sata i ponovno pritisnite tipku „TIMER“ radi potvrđivanja izbora; ponovite prethodni postupak da biste podesili minute / izbor alarma (CD / USB / SD / ZUJALICA / FM) / jačinu zvuka alarma i sl.

- a. Sat i alarm rade samo ako je dostupni izvor napajanja. U slučaju prekida u opskrbi napajanjem, treba ponovno podesiti sat i alarm.
- b. Kratkim pritiskanjem tipke „TIMER“ u režimu pripravnosti (standby) možete uključivati ili isključivati alarm.
- c. Kad se uključi alarm, kratko pritisnite tipku za uključivanje (power) / izbor izvora (source) ili tipku „TIMER“ da biste isključili zvuk alarma i podesili ga za buđenje sljedećeg dana u isto vrijeme.
- d. Alarm traje 5 minuta, ako se ranije ne zaustavi.
- e. Ako je za izvor alarma izabran CD / USB / SD, treba provjeriti je li na uređaj priključen adekvatni nosač zvuka (CD disk, SD kartica, USB memorija), u suprotnom će se uključiti zujalica.

Korištenje CD-a

Uređaj može reproducirati CD diskove, snimljene u formatu CD / CD-R / CD-RW / MP3. Prije nego što uključite reprodukciju, provjerite format CD diska i je li CD disk čist i neoštećen.

Reprodukcija CD diskova: otvorite poklopac CD pogona i umetnite CD disk, a zatim zatvorite poklopac. Pritisnite tipku za uključivanje (power) / izbor izvora (source) da biste prešli u režim CD-a; tada će uređaj čitati CD disk i automatski reproducirati zvuk.

U režimu reprodukcije CD diskova okrenite gumb za regulaciju jačine zvuka da biste podesili jačinu; pritisnite tipku za reprodukciju (Play) / pauziranje (Pause), da biste zaustavili ili ponovno pokrenuli reprodukciju; pritisnite tipku stop za isključivanje reprodukcije; kratko pritisnite tipku prethodni (previous) / sljedeći (next) da biste izabrali pjesmu, pritisnite i zadržite je za pomicanje pjesme prema naprijed ili prema nazad, pritišćite tipku za ponavljanje (repeat) da biste uključili ponavljanje jedne pjesme / svih pjesama ili za slučajnu reprodukciju; kratko pritiskanje tipke +10 pomiče reprodukciju za 10 sljedećih pjesama; pritisnite tipku EQ da biste izabrali režim ekvilizatora zvuka.

Programiranje reprodukcije (do 20 pjesama na CD disku i 99 pjesama na MP3 disku): pritisnite tipku stop; pritisnite tipku za programiranje (program) da biste počeli s programiranjem; na zaslonu će se pojaviti informacija "P01" i "PROG"; pritisnite tipku prethodni (previous) / sljedeći (next) za izbor pjesme koju želite programirati, a zatim pritisnite tipku za programiranje (program) za potvrđivanje svojeg izbora – pjesma će se snimiti kao P01. Ponavljajte taj postupak dok se na zaslonu ne pojavi "FUL" što znači da je programirana memorija puna. Pritisnite tipku za reprodukciju (Play) da biste reproducirali programirane pjesme; otvorite poklopac CD-a ili dvaput pritisnite tipku stop da biste poništili i obrisali programirane postavke za reprodukciju.

Korištenje FM radija

Prije korištenja radija u potpunosti izvadite FM antenu i nastojte smjestiti uređaj blizu prozora, da bi signal bio što bolji.

Skeniranje i automatsko skeniranje: pritisnite i zadržite 2 sekunde tipku prethodni (previous) / sljedeći (next), da biste automatski skenirali dostupne stanice prema gore ili dolje; pritisnite tipku za skeniranje (scan) da biste automatski skenirali i spremili dostupne radio stanice (maksimalni broj programiranih stanica je 40). Pritisnite tipku +10 / preliminarnu postavku (preset) da biste izabrali i pokrenuli programiranu stanicu.

Manualno programiranje stanica: Nakon što tipkom za podešavanje radija ili tipkom za skeniranje (scan) namjestite željenu stanicu, prvo pritisnite tipku za programiranje (program), a zatim okrenite tipku za namještanje radija da biste izabrali broj memorije na koji želite spremiti trenutnu stanicu, zatim pritisnite tipku za programiranje (program) za potvrđivanje izbora; ponovite postupak da biste spremili druge stanice.

U režimu FM radija pritisnite tipku stop / mono/stereo da biste uključili režim mono dok slušate stanicu koja ima slabiji signal.

Reprodukcija SD / USB kartica

Prije reprodukcije SD / USB kartica kopirajte audio datoteke MP3 na adekvatni nosač zvuka (maksimalni kapacitet nosača je 32 GB), a zatim umetnite nosač u USB / SD port.

Nekoliko puta pritisnite tipku za izbor izvora zvuka (source) da biste ušli u USB / SD režim, a zatim će uređaj automatski čitati audio datoteke i nakon određenog vremena reproducirati zvuk.

U režimu za USB reprodukciju pritisnite tipku za reprodukciju (Play) / pauziranje (Pause), da biste zaustavili ili ponovno pokrenuli reprodukciju; pritisnite tipku stop za zaustavljanje reprodukcije; kratko pritisnite tipku prethodni (previous) / sljedeći (next) da biste izabrali pjesmu, pritisnite i zadržite je za pomicanje pjesme prema naprijed ili prema nazad, pritisnite tipku za ponavljanje (repeat) da biste uključili ponavljanje jedne pjesme / svih pjesama ili za slučajnu reprodukciju; kratko pritiskanje tipke +10 pomiče reprodukciju za 10 sljedećih pjesama; pritisnite tipku EQ da biste izabrali režim ekvilizatora zvuka.

Napomena:

- Ne preporučuje se korištenje produžnog kabela za priključivanje USB uređaja jer može izazivati smetnje tijekom reprodukcije.
- Nije garantirano podržavanje svih USB uređaja zbog različitih konstrukcija i proizvođača.
- Nije garantirana pravilna reprodukcija svih MP3 datoteka.

Korištenje Bluetootha

Uređaj ima funkciju Bluetooth koja omogućava bežičnu reprodukciju zvuka na drugim uređajima.

Povezivanje: Pritisnite tipku za izbor izvora zvuka (source) dok se na zaslonu ne prikaže poruka "BT". Zatim uključite funkciju Bluetooth na vanjskom uređaju kao što je pametni telefon i sl. (upoznajte se s uputama za korištenje određenog uređaja), provjerite na uređaju spisak dostupnih Bluetooth uređaja i izaberite "BP BB31LED"; nakon pravilnog povezivanja uređaja pojavit će se zvuk potvrde; zatim izaberite i reproducirajte glazbu na vanjskom uređaju a zvuk će se reproducirati na zvučnicima ovog uređaja.

U Bluetooth režimu pritisnite tipku za reprodukciju (Play) / pauziranje (Pause) da biste zaustavili ili ponovno pokrenuli reprodukciju; pritisnite tipku prethodni (previous) / sljedeći (next) da biste izabrali pjesmu; pritisnite 2 sekunde tipku povezivanja uređaja BT (pairing) da biste prekinuli vezu s trenutnim uređajem – player će biti spreman za povezivanje s drugim uređajem preko Bluetootha.

Napomena:

- Nije garantirano pravilno povezivanje sa svim Bluetooth uređajima zbog različitih konstrukcija i proizvođača.
- Najbolja radna udaljenost za pravilni rad Bluetootha je 10 metara bez prepreka.
- U slučaju poziva, reprodukcija Bluetooth će se zaustaviti i automatski pokrenuti nakon završenog telefonskog razgovora.

Korištenje režima AUX IN / analognog ulaza/ MP3 Link

Pomoću audio kabela 3,5 mm povežite AUX-IN utičnicu na stražnjem panelu uređaja s izlazom audio signala na vanjskom playeru (npr. MP3 player i sl.). Uključite uređaj i pritisnite tipku za izbor izvora (source) da biste prešli u režim AUX-IN; izaberite i reproducirajte glazbu na vanjskom playeru a zvuk će se reproducirati na zvučnicima tog uređaja. Treba imati na umu da se upravljanje reprodukcijom vrši na vanjskom uređaju, a na ovom uređaju se može samo podešavati jačina zvuka.

Izlaz za slušalice: u režimu reprodukcije (CD / USB / SD / AUX / Bluetooth / radio) priključite slušalice na izlazu za slušalice na stražnjem panelu uređaja. Zvuk na zvučnicima će se automatski isključiti i bit će dostupni u slušalicama.

Automatsko isključivanje (SLEEP): U režimu reprodukcije nekoliko puta pritisnite tipku „TIMER“ da biste uključili funkciju automatskog isključivanja u opsegu 10/20/30/40/50/60/70/80/90 minuta/isključen. Uređaj će se automatski isključiti nakon podešenog vremena.

Uključivanje/isključivanje LED osvjetljenja

Pritisnite i pomaknite tipku za uključivanje/isključivanje osvjetljenja na stražnjem panelu uređaja radi uključivanja ili isključivanja LED osvjetljenja; kratko pritiskanje tipke za jačinu zvuka omogućuje izabrati boju i režim LED osvjetljenja (dostupnih je 8 režima i mogućnost isključivanja).

Specifikacija:

Izvor napajanja: AC 100-230V ~ / 50Hz;
 Napajanje 12V DC (8 kom. x UM1, 1.5V, baterije nisu u kompletu);
 Frekvencija FM: 87,5 – 108,0 MHz;
 Podržavani diskovi: CD, CD-R, CD-RW, MP3-CD,
 Izlazna snaga RMS: 2 x 6 Watt;
 Parametri USB porta: 5V / 500mA (nije za punjenje);
 Kompatibilnost porta USB: nosači kapaciteta do 32 GB, audio datoteke MP3;
 Bluetooth: inačica EDR + 4.2; najbolja radna udaljenost 10 metara.
 Potrošnja energije: 14W
 Potrošnja energije u režimu pripravnosti: <1W
 (gore navedena specifikacija može se promijeniti bez prethodne obavijesti)

Rješavanje problema

- Uređaj se ne može uključiti.
 - Provjerite je li DC napajanje ispravno priključeno.
 - U slučaju problema kontaktirajte servisnu službu.
- Radio stanica loše zvuči.
 - Pomaknite uređaj prema prozoru ili regulirajte usmjerenost antene da bi uređaj dobio bolji signal.
 - Probajte prebaciti uređaj na drugu stanicu.
 - U slučaju problema kontaktirajte servisnu službu.
- Uređaj ne čita CD disk ili USB memoriju.
 - Provjerite je li CD disk ispravan i je li ispravna audio datoteka.
 - U slučaju problema kontaktirajte servisnu službu.
- Zvuk Bluetooth je isprekidan.
 - Probajte pomaknuti Bluetooth uređaj bliže uređaju.
 - Isključite Bluetooth i ponovo ga povežite.

INSTRUCȚIUNI IMPORTANTE REFERITOARE LA SIGURANȚĂ



Avertisment:

Pentru a diminua riscul de electrocutare, nu demontați capacul sau partea din spate a dispozitivului. În interiorul dispozitivului nu există elemente care să poată fi reparate de utilizator. De mentenanța și reparația echipamentului se ocupă exclusiv angajații calificați ai service-ului.

Explicarea simbolurilor grafice:



Simbolul fulgerului terminat cu o săgeată, plasat într-un triunghi echilateral, avertizează utilizatorul împotriva unei „tensiuni periculoase” neizolate în carcasa dispozitivului, care poate atinge dimensiunea pericolului de electrocutare.



Semnul exclamării într-un triunghi echilateral avertizează utilizatorul că în acest moment sunt prezentate informații importante referitoare la operarea și mentenanța echipamentului în documentația anexată la dispozitiv.

Rugăm să citiți aceste instrucțiuni înainte de a trece la operarea dispozitivului, să vă familiarizați cu funcțiile acestuia și să le folosiți conform destinației. Acest lucru va asigura o operare de lungă durată și fără avarii a dispozitivului, precum și plăcerea de a-l utiliza.

Informații importante

- Instrucțiunile de operare și informațiile referitoare la siguranță trebuie păstrate în scopul folosirii lor în viitor.
- Nu permiteți ca pe dispozitiv să picure sau să se verse vreun lichid.
- Nu îl folosiți în locuri umede, cum ar fi de ex. sala de baie.
- Dispozitivul nu poate fi montat în următoarele locuri:
- Expus la lumina directă a soarelui sau în apropierea caloriferelor.
- Plasat deasupra unui alt dispozitiv stereofonic care emite căldură.
- Blocând ventilația sau într-un loc prăfuit.
- În locuri expuse la vibrații constante.
- În locuri cu umiditate ridicată.
- Nu așezați dispozitivul în apropierea lumânărilor sau a focului deschis.
- Dispozitivul poate fi folosit exclusiv în modul descris în instrucțiunile de mai jos.
- Înainte de prima pornire, asigurați-vă că sursa de alimentare este conectată în mod corespunzător.
- Stick-urile USB se conectează direct sau folosind un prelungitor USB cu lungime de până la 25 cm.

Din motive de securitate, nu demontați carcasa, deoarece în interior nu există elemente ce ar putea fi reparate de utilizator. De mentenanța și repararea echipamentului se ocupă exclusiv angajații calificați ai service-ului.

Nu demontați și nu deschideți carcasa, deoarece în interior nu există elemente ce ar putea fi reparate de utilizator. De mentenanța și repararea echipamentului se ocupă exclusiv angajații calificați ai service-ului.

INSTRUCȚIUNI REFERITOARE LA SIGURANȚĂ

1. Citiți instrucțiunile – înainte de utilizarea dispozitivului, citiți în întregime instrucțiunile de utilizare, precum și informațiile referitoare la siguranță.
2. Urmați instrucțiunile – păstrați instrucțiunile de utilizare și operare în scopul folosirii lor în viitor.
3. Respectați avertismentele – procedați conform tuturor avertismentelor plasate pe dispozitiv, precum și conform instrucțiunilor de utilizare.
4. Urmați instrucțiunile – procedați conform instrucțiunilor de operare și indicațiilor pentru utilizator.
5. Instalare – setați dispozitivul conform instrucțiunilor producătorului.
6. Surse de alimentare – dispozitivul trebuie alimentat exclusiv de la surse cu parametrii indicați în marjele de pe cablu de alimentare. Dacă utilizatorul nu este sigur de tipul de alimentare de care dispune acasă, trebuie să contacteze vânzătorul dispozitivului sau furnizorul local de energie electrică.
7. Impănăntarea sau polarizarea alimentării – dispozitivul nu trebuie să fie împănăntat. Trebuie să vă asigurați că ștecherul este introdus complet în priză sau în prelungitor pentru a nu permite expunerea bolțurilor sau a contactelor. Unele versiuni ale dispozitivului pot fi echipate cu ștecher polarizat de curent alternativ (cu un singur bolt mai larg). Acest ștecher poate fi introdus în priză de rețea doar într-un singur mod. Aceasta este o funcție de protecție. Dacă ștecherul nu poate fi introdus în priză, trebuie încercată rotirea acestuia. Dacă ștecherul în continuare nu se potrivește la priză, trebuie solicitată înlocuirea acestui ștecher de către un electrician. Nu scoateți elementele de protecție din ștecherul polarizat. Când utilizați un prelungitor sau un cablu de alimentare altul decât cel furnizat împreună cu dispozitivul, acestea trebuie să aibă ștecherule corespunzătoare, precum și atestatul de securitate necesar în țara dată.
8. Protecția cablului de alimentare – cablurile de alimentare trebuie plasate astfel încât să nu poată fi călcate, presate sau tăiate de obiectele din jur. Acordați o atenție deosebită ștecherelor, prizelor de rețea și locurilor în care cablurile sunt direcționate de la dispozitiv.
9. Supraîncărcare – Nu supraîncărcați prizele de perete, prelungitoarele și repartitoarele electrice, deoarece acest lucru poate provoca incendii sau electrocutări.
10. Ventilație – dispozitivul trebuie să fie corect ventilat. Dispozitivul nu poate fi pus pe pat, sofa sau suprafețe similare. Nu acoperiți dispozitivul cu fețe de masă, șervețele, ziare, ș.a..
11. Căldură – nu plasați dispozitivul în apropierea unor surse de căldură, precum calorifere, radiatoare, sobe sau alte dispozitive (de asemenea amplificatoare) care generează căldură. Nu puneți pe dispozitiv lumânări aprinse și alte surse de foc deschis.

12. Apă și umezeală – pentru a reduce riscul de incendiu sau electrocutare, nu expuneți dispozitivul la ploaie, apă și umiditate directă, ca de ex. în saună sau baie. Nu folosiți dispozitivul în apropierea apei, de exemplu lângă cadă, lavoar, chiuveta de bucătărie, într-o pivniță umedă sau în apropierea unei piscine (sau în locuri similare).
13. Obiecte și lichide în dispozitiv – nu trebuie forțate niciun fel de obiecte prin deschiderile dispozitivului, deoarece acestea pot să intre în contact cu punctele de tensiune periculoasă și cu componentele, ceea ce poate provoca incendiu sau electrocutare. În niciun caz nu vărsați niciun fel de lichide pe suprafața dispozitivului. Nu puneți pe suprafața dispozitivului obiecte ce conțin lichide.
14. Curățarea – scoateți întotdeauna dispozitivul din priză înaintea de curățare. Praful din jurul difuzorului poate fi îndepărtat cu o cârpă uscată. Dacă se utilizează un aerosol pentru curățare, nu îndreptați jetul de pulverizare direct spre dispozitiv, ci spre cârpă. Aveți grijă să nu deteriorați unitățile de comandă.
15. Echipare suplimentară – nu folosiți accesorii care nu sunt aprobate de producător, deoarece pot constitui un pericol.
16. Accesorii – nu așezați dispozitivul pe un cărucior, postament, stativ, suport sau masă instabile. Dispozitivul se poate răsturna sau deteriora și poate provoca vătămări grave copiilor sau persoanelor adulte. Folosiți numai cărucioarele, postamente, stativ, suporturi și mese specificate de producător sau vândute împreună cu dispozitivul. Montarea dispozitivului trebuie efectuată în conformitate cu instrucțiunile producătorului, folosind setul de montaj recomandat de producător.
17. Mutarea dispozitivului – dispozitivul plasat pe cărucior trebuie deplasat cu multă grijă. Oprirea bruscă, forța prea mare sau suprafețele neuniforme pot provoca răsturnarea căruciorului împreună cu dispozitivul.
18. Perioada de nefolosire a dispozitivului – cablul de alimentare al dispozitivului trebuie deconectat de la priza de rețea în timpul furtunilor cu descărcări atmosferice sau când dispozitivul nu va fi folosit pentru o perioadă mai lungă de timp.
19. Servisare – nu încercați să servișați singur dispozitivul. Deschiderea capacului poate duce la contactul cu o tensiune periculoasă și poate expune utilizatorul la alte pericole. De mentenanță și repararea echipamentului se ocupă exclusiv angajații calificați ai service-ului.
20. Când dispozitivul nu este utilizat, ștecherul de alimentare trebuie deconectat de la priza de rețea. Când dispozitivul este conectat la sursa de alimentare, se află în regim de stand by și nu este complet închis.
21. Piese de schimb – la înlocuirea pieselor, trebuie verificat dacă angajatul service-ului a folosit piesele de schimb recomandate de producător sau dacă aceste piese sunt identice cu cele originale. Înlocuirea cu piese neaprobate poate duce la incendii, electrocutare sau alte pericole.
22. Siguranțele principale – pentru a proteja în mod continuu dispozitivul împotriva incendiului, trebuie folosite siguranțe de tip și parametri corecți. Parametrii siguranțelor în acest interval sunt marcați pe dispozitiv.
23. Nu măriți volumul când ascultați o parte dintr-un cântec înregistrat cu volum redus sau în cazul lipsei semnalului audio de început. În caz contrar se poate ajunge la deteriorarea difuzorului în momentul creșterii rapide a intensității semnalului.
24. Singurul mod de a deconecta complet dispozitivul de la sursa de alimentare este deconectarea cablului de alimentare din priza de alimentare sau din dispozitiv. Priza de rețea sau intrarea cablului de alimentare în dispozitiv trebuie să fie mereu accesibile în timpul utilizării produsului.
25. Dispozitivul trebuie amplasat în apropierea unei prize de perete sau a unui cablu prelungitor și astfel încât să fie mereu accesibil.
26. Temperatura maximă ambiantă pentru dispozitiv este de 35°C.
27. Instrucțiuni referitoare la descărcările electrostatice – dacă funcționarea dispozitivului este perturbată de descărcări electrostatice, acesta trebuie oprit și repornit sau mutat în alt loc.
28. Bateria
 - a. Bateriile nu pot fi expuse la căldură excesivă, cum ar fi razele de soare, foc, ș.a.
 - b. Când aruncați bateriile, acordați atenție aspectelor legate de protecția mediului.
 - c. Avertisment referitor la folosirea bateriei: pentru a nu permite pierderea etanșeității bateriei, ceea ce poate provoca vătămări corporale sau deteriorare a dispozitivului:
 - În timpul introducerii bateriei, respectați polaritatea acesteia (+ și -).
 - Nu folosiți în același timp baterii diferite — vechi și noi, baterii standard și alcaline, ș.a.
 - Scoateți bateriile din dispozitiv, atunci când acesta nu este folosit pentru o perioadă mai lungă.

ATENȚIE

Dispozitivul nu trebuie folosit de persoanele (inclusiv copiii) cu capacități fizice, senzoriale sau mentale reduse, precum și de persoanele cu cunoștințe și experiență insuficiente, în cazul în care nu se află sub supravegherea unei persoane responsabile pentru siguranța lor și nu au fost instruite cum să folosească dispozitivul în condiții de siguranță. Prezența persoanelor adulte este necesară, dacă dispozitivul este folosit de copii; aceasta va permite o folosire în condiții de siguranță a dispozitivului.

1. Nu lăsați dispozitivul nesupravegheat în timpul funcționării! Dispozitivul trebuie închis când nu este folosit, chiar și pentru o perioadă scurtă de timp.
2. Dispozitivul nu poate fi folosit prin intermediul unui temporizator extern și nici cu ajutorul unui sistem separat cu comandă de la distanță.
3. Pentru evitarea pericolului în cazul deteriorării cablului de alimentare, înlocuirea trebuie efectuată de producător, de punctul autorizat de service sau de o altă persoană calificată în acest sens.
4. Înainte de a începe deservirea dispozitivului, trebuie verificat dacă tensiunea acestuia corespunde tensiunii din rețeaua locală de alimentare.
5. Nu acoperiți orificiile de ventilație ale dispozitivului cu ziere, fețe de masă, draperii, ș.a. Trebuie să vă asigurați că deasupra dispozitivului există cel puțin 20 cm de spațiu liber, iar pe fiecare parte a acestuia – cel puțin 5 cm.
6. Nu permiteți ca pe dispozitiv să picure sau să se verse vreun lichid, nu plasați pe acesta obiecte pline cu lichid, cum ar fi vasele.
7. Pentru a evita incendiile sau electrocutarea, dispozitivul trebuie protejat împotriva locurilor fierbinți, ploii, umezelii și prafului.
8. Nu așezați dispozitivul în apropierea oricărei surse de apă, de ex. robinete, căzi, mașini de spălat sau piscine. Dispozitivul trebuie plasat pe o suprafață dreaptă și stabilă.
9. Nu expuneți dispozitivul la câmpuri magnetice puternice.

10. Nu așezați dispozitivul direct pe amplificator sau amplituner.
11. Nu așezați dispozitivul într-un loc umed, deoarece umiditatea are efect dăunător asupra componentelor electrice.
12. După mutarea dispozitivului dintr-un loc rece către un loc cald sau un loc umed, se poate forma condens pe lentila din interiorul playerului. În această situație dispozitivul nu va funcționa corect. Lăsați dispozitivul să funcționeze aproximativ o oră pentru a permite evaporarea umidității.
13. Nu curățați dispozitivul cu solvenți chimici, deoarece aceștia pot distruge lacul carcasi. Dispozitivul se curăță cu o cârpă curată, uscată sau ușor umezită.
14. Când scoateți ștecherul din priză, trageți întotdeauna de ștecher, niciodată de cablul de alimentare.
15. Când dispozitivul pornit este folosit în apropierea televizorului care funcționează, acesta poate fi o sursă de interferență în imagine, sub forma de linii pe ecran. Aceasta depinde de benzile de unde ale transmisiei tv. Aceasta nu înseamnă o funcționare defectuoasă a dispozitivului sau televizorului. Dacă astfel de linii sunt vizibile, dispozitivul trebuie îndepărtat de televizor.
16. Ștecherul de rețea este folosit pentru deconectarea de la tensiunea de alimentare și trebuie să fie mereu accesibil.
17. Pentru a menține capul laserului de citire CD-uri în stare de curățenie, acesta nu trebuie atins și trebuie întotdeauna închis compartimentul de discuri.
18. În timpul folosirii, discul se rotește cu viteză mare. NU ESTE VOIE să ridicați sau să mutați dispozitivul în timpul funcționării, deoarece acest lucru poate duce la deteriorarea discului sau a dispozitivului în sine.
19. Înainte de a muta dispozitivul în alt loc sau pe perioada mutării trebuie scos discul și închis compartimentul de discuri. Apoi trebuie oprită alimentarea și deconectat cablul de alimentare. Mutarea dispozitivului cu discul aflat în compartiment poate provoca deteriorarea acestuia.
21. După redarea discului, acesta trebuie plasat în ambalaj. Nu expuneți discurile la acțiunea directă a razelor solare și a sursei de căldură. Nu lăsați discurile în interiorul automobilului parcat în plin soare.
23. Nu atingeți partea fără etichetă a discului. Țineți discul de margine, pentru a nu lăsa amprente. Praful, amprentele sau zgârieturile discurilor pot fi motivul unei funcționări incorecte a player-ului. Nu lipiți hârtiute sau benzi autocolante pe disc.
22. Pentru curățarea discului folosiți o cârpă curată, care nu lasă scame. Începeți curățarea printr-o mișcare rectilinie de la mijlocul discului spre margine, folosind în acest scop agenți de curățare general disponibili sau agenți antistatici pentru discurile de vinil.
23. Pentru a preveni eventuala pierdere de auz, nu ascultați muzică la volum ridicat pentru perioade lungi de timp.



AVERTISMENT: SURSĂ DE RADIAȚIE

CLASS 1 LASER PRODUCT
LUOKAN 1 LASERLAITE
KLASS 1 LASERAPPARAT

COMPACT
disc
DIGITAL AUDIO

Această etichetă înseamnă că în interiorul dispozitivului se află componente laser. Deschiderea capacului compartimentului de discuri CD și oclirea dispozitivului de blocare va expune utilizatorul la acțiunea radiațiilor laserului. Nu priviți fasciculul de laser în timpul funcționării dispozitivului.

ÎNAINTE DE ÎNCEPEREA FUNCȚIONĂRII

Remarci: referitoare la discurile compacte.

Deoarece discurile murdare, deteriorate sau deformate pot provoca deteriorarea dispozitivului, trebuie acordată atenție următoarelor elemente:

- a. Discurile compacte care pot fi utilizate. Pot fi utilizate numai discurile indicate mai jos.
- b. Discuri CD exclusiv cu sunet audio digital.

ATENȚIE



Declarație

Prin prezenta Blaupunkt Competence Center 2N-Everpol Sp. z o.o. [SRL] declară că acest dispozitiv este în conformitate cu cerințele și alte dispoziții corespunzătoare ale directivei 2014/53 / UE. Declarația completă de conformitate poate fi obținută pe pagina www.blaupunkt.com în secția produsului.

Entitate responsabilă: 2N-Everpol Sp. Z o.o.
Puławska 403A, 02-801 Varșovia, Polonia
Telefon: +48 22 331 99 59, e-mail: info@everpol.pl



Produsul a fost realizat din materiale și componente de înaltă calitate, ce pot fi reciclate și reutilizate.



Dacă pe dispozitiv se află semnul coșului de gunoi tăiat, aceasta înseamnă că produsul se înscrie în dispozițiile directivei europene 2012/19/EU. Trebuie citite cerințele referitoare la sistemul local de colectare a deșeurilor electrice și electronice. Respectați reglementările locale. Nu aruncați acest produs împreună cu deșeurile menajere obișnuite. Eliminarea corectă a produsului vechi va preveni potențialele consecințe negative pentru mediu și sănătatea umană.



Dispozitivul este echipat cu baterii care fac obiectul directivei europene 2013/56/EU. Bateriile nu pot fi aruncate împreună cu deșeurile menajere. Consultați reglementările locale privind colectarea separată a bateriilor, deoarece eliminarea corectă va împiedica potențialele consecințe negative pentru mediul natural și sănătatea umană.

Informații privind protecția mediului înconjurător

Ambalajul conține doar elementele necesare. S-au făcut toate eforturile ca cele trei materiale componente ale ambalajului să fie ușor de separat: cutia de carton (cutia), spuma de polistiren (protecție interioară) și polietilena (pungi, folie protectoare). Dispozitivul a fost produs din materiale ce pot fi reciclate și reutilizate după demontarea lor de către o firmă specializată. Trebuie respectate reglementările locale referitoare la eliminarea materialelor de ambalare, bateriilor folosite și a echipamentelor inutile.

Înregistrarea și redarea materialelor poate necesita obținerea unei autorizații. Consultați legea referitoare la drepturile de autor și drepturile executanților / artiștilor.

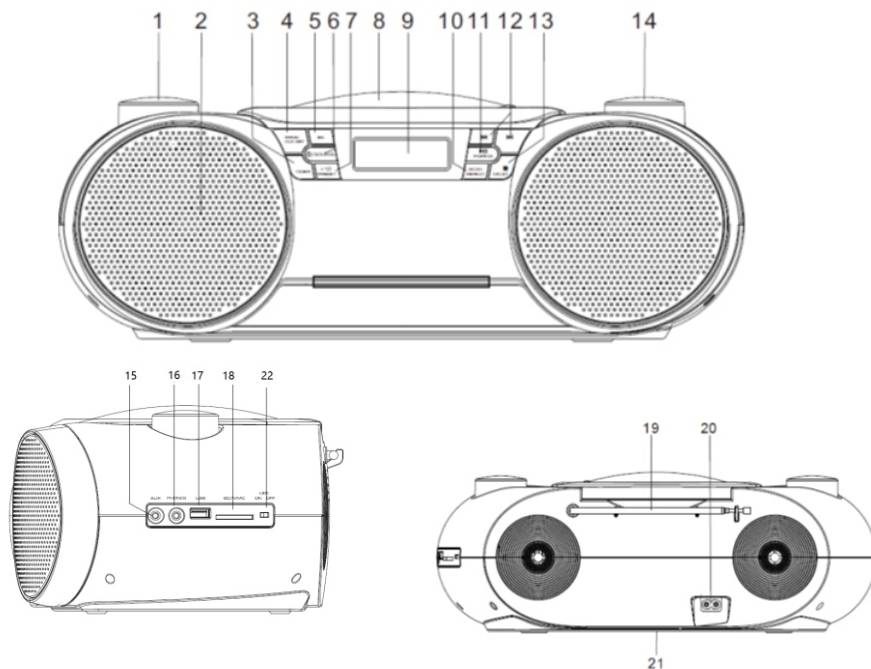
Remarcă referitoare la ERP2 (dispozitive legate de energie)

Prezentul dispozitiv cu ecoproiect îndeplinește cerințele etapei 2 din Regulamentul Comisiei (CE) nr 1275/2008 care introduce directiva 2009/125/CE referitoare la consumul de energie al dispozitivelor electronice de birou și de uz casnic, închise sau aflate în regim de stand by.



Proprietarul mărcilor comerciale și siglei Bluetooth® este compania Bluetooth SIG, Inc. USA. Folosirea acestor mărci și sigle este supusă unei licențe. Alte mărci și denumiri comerciale aparțin respectivilor proprietari.

Localizarea elementelor de control



- | | |
|---|--|
| 1. Buton reglare volum /LED | 2. Difuzor |
| 3. Timer | 4. Buton programare (program) / setare ceas (clock set) |
| 5. Buton schimbare mod egalizator EQ (normal / rock / pop / jazz / classic) | 6. Buton pornire (power)/ selectare a sursei de sunet (source) |
| 7. + 10 / presetare (preset) | 8. Capac CD |
| 9. Afișaj LCD | 10. Buton scanare (scan)/ repetare (repeat) - repetarea unei melodii / repetarea tuturor melodiilor / redare aleatorie |
| 11. Redare(Play) / pauză (Pause), Buton sincronizare dispozitive BT (pairing) | 12. Buton redare înapoi (previous) / înainte (next) |
| 13. Buton STOP / comutare mod mono/stereo | 14. Buton reglare radio |
| 15. Ințrare AUX-IN | 16. Leșire căști |
| 17. Port USB | 18. Slot card SD / MMC |
| 19. Antenă FM | 20. Ințrare alimentare AC |
| 21. Compartiment pentru baterii | 22. LED ON/OFF |

Conectarea sursei de alimentare

Alimentarea AC: cu ajutorul cablului de alimentare furnizat, conectați intrarea de alimentare AC la panoul din spate al dispozitivului și apoi introduceți ștecherul în priză de curent alternativ pentru a obține sursa de alimentare.

Alimentarea DC (cu baterii): deschideți capacul compartimentului pentru baterii și introduceți 8 baterii tip UM 1 / 1,5V (bateriile nu sunt incluse) în conformitate cu simbolurile gravate de polaritate pozitivă și negativă. Apoi închideți capacul compartimentului pentru baterii.

După conectarea cu succes la alimentare, afișajul se va porni. Apăsăți pe butonul de pornire (power)/ selectare a sursei de sunet (source) pentru a selecta sursa de redare, apăsați și țineți apăsat acest buton timp de 2 secunde pentru a opri aparatul (pentru a trece la modul de așteptare). Bateriile vor fi deconectate în mod automat după ce se trece la alimentarea cu energie din rețea.

Observații:

- Sunetul va fi distorsionat dacă bateriile sunt descărcate sau nivelul de încărcare este redus, atunci trebuie să înlocuiți bateriile cu altele noi. Bateriile trebuie depozitate într-un mod ecologic și trebuie respectate cerințele autorităților locale.
- Nu introduceți baterii de la producători diferiți; pentru a evita scurgerile de lichid, scoateți bateriile dacă nu folosiți dispozitivul pentru o perioadă lungă de timp.

Setarea ceasului și a alarmei

Setarea ceasului: apăsați și țineți apăsat pe butonul de pornire (power) / selectare a sursei (source) timp de 2 secunde pentru a trece la modul de așteptare (standby), apăsați și țineți apăsat pe butonul de programare (program) / setare a ceasului (clockset) timp de 2 secunde pentru a începe setarea, apăsați pe butonul înapoi / înainte pentru a selecta formatul de afișare a timpului de 12/24 ore, apăsați din nou pe butonul de programare (program) / setare a ceasului (clockset) pentru a confirma selecția, repetați operația anterioară pentru a seta orele și minutele.

Setarea alarmei: În modul de așteptare apăsați și țineți apăsat pe butonul "TIMER" timp de 2 secunde pentru a începe setarea alarmei, cifrele de pe afișaj se vor aprinde intermitent; Apăsați pe butonul înapoi (previous) / înainte (next) pentru a regla ora și apăsați din nou pe butonul "TIMER" pentru a confirma selecția; repetați operația anterioară pentru a seta minutele / sursa de alarmă (CD / USB / SD / BUZZER / FM) / volumul alarmei etc.

a. Ceasul și alarma funcționează numai când sursa de alimentare este disponibilă. În cazul unei întreruperi de alimentare, resetați ceasul și alarma.

b. Apăsați scurt pe butonul "TIMER" în modul de așteptare (standby) pentru a activa sau dezactiva alarma.

c. La pornirea alarmei, apăsați scurt pe butonul de pornire (power) / selectare a sursei (source) sau pe butonul "TIMER" pentru a opri sunetul alarmei și a-l seta să se pornească în următoarea zi la aceeași oră.

d. Durata alarmei este de 5 minute dacă nu a fost anulată anterior.

e. Dacă se selectează CD / USB / SD ca sursă de alarmă, asigurați-vă că la dispozitiv este conectat un suport adecvat (CD, card SD, stick USB), în caz contrar se va porni buzzerul.

Utilizarea discurilor CD

Dispozitivul poate reda CD-uri înregistrate în format CD / CD-R / CD-RW / MP3. Înainte de a începe redarea, verificați mai întâi formatul CD-ului și asigurați-vă că CD-ul este curat și nedeteriorat.

Redarea discurilor CD: deschideți capacul unității CD, introduceți discul iar apoi închideți capacul. Apăsați pe butonul de pornire (power) / selectare a sursei (source) pentru a intra în modul CD; atunci dispozitivul citește CD-ul și redă automat sunetul.

În modul de redare a discurilor CD, rotiți butonul de reglare a volumului pentru a regla volumul; apăsați pe butonul de redare (Play) / pauză (Pause) pentru a întrerupe sau a relua redarea; apăsați pe butonul Stop pentru a opri redarea; apăsați scurt pe butonul înapoi (previous) / înainte (next) pentru a selecta o melodie, apăsați și mențineți apăsat pentru a derula înainte sau înapoi, apăsați pe butonul de repetare (repeat) pentru a repeta o melodie / toate melodiile sau pentru a porni redarea aleatorie; Apăsați scurt pe butonul +10 pentru a schimba redarea cu încă 10 melodii; apăsați pe butonul EQ pentru a selecta modul egalizator.

Programarea redării (până la 20 de piese pe un disc CD și până la 99 de piese pe un disc MP3): apăsați pe butonul stop; apăsați pe butonul de programare (program) pentru a începe programarea; pe afișaj apare informația "P01" și "PROG"; apăsați pe butonul înapoi (previous) / înainte (next) pentru a selecta melodia pe care doriți să o programați, apoi apăsați pe butonul de programare (program) pentru a confirma selecția iar melodia va fi salvată ca P01.

Repetați această operație până când pe afișaj apare mesajul "FULL", ceea ce înseamnă că memoria programată este plină.

Apăsați pe butonul de redare (Play) pentru a reda melodiile programate; deschideți capacul unității CD sau apăsați de două ori pe butonul Stop pentru a anula și șterge setările programate de redare.

Utilizarea radioului FM

Înainte de a utiliza radioul, scoateți complet antena FM și încercați să introduceți dispozitivul lângă fereastră pentru o recepție mai bună a semnalului.

Scanarea și scanarea automată: apăsați și țineți apăsat pe butonul înapoi (previous) / înainte (next) timp de 2 secunde pentru a scana automat posturile disponibile în sus sau în jos; apăsați pe butonul de scanare (scan) pentru a scana și salva automat posturile de radio disponibile (maxim 40 de posturi pot fi presetate). Apăsați pe butonul +10 / presetare (preset) pentru a selecta și a porni postul programat.

Programarea manuală a posturilor: După ce ați reglat la postul dorit utilizând butonul de reglare radio sau butonul de scanare (scan), apăsați mai întâi pe butonul de programare (program) și apoi rotiți butonul de reglare radio pentru a selecta numărul sub care doriți să memorați stația curentă, apăsați pe butonul de programare (program) pentru a confirma selecția; repetați operația pentru a salva alte posturi.

În modul radio FM apăsați pe butonul stop / mono / stereo pentru a comuta receptorul în modul mono atunci când ascultați un post cu un semnal mai slab.

Redarea cardurilor SD / USB

Înainte de a reda un card SD / USB, copiați fișierele audio MP3 pe suportul corespunzător (capacitatea maximă a suportului media de până la 32 GB), iar apoi introduceți suportul media în portul USB / SD.

Apăsați în mod repetat pe butonul de selectare a sursei de sunet (source) pentru a intra în modul USB / SD, iar apoi dispozitivul va citi automat fișierele audio și va reda sunetul după o anumită perioadă de timp.

În modul USB apăsați pe butonul de redare (Play) / pauză (Pause) pentru a întrerupe sau a relua redarea; apăsați pe butonul stop pentru a opri redarea; apăsați scurt pe butonul înapoi (previous) / înainte (next) pentru a selecta o melodie, apăsați și mențineți apăsat pentru a derula înainte sau înapoi; apăsați pe butonul de repetare (repeat) pentru a repeta o melodie / toate melodiile sau pentru a activa redarea aleatorie; Apăsați scurt pe butonul +10 pentru a schimba redarea cu încă 10 melodii; apăsați pe butonul EQ pentru a selecta modul egalizator.

Observații:

a. Nu se recomandă utilizarea unui cablu prelungitor pentru a conecta dispozitivul USB, deoarece poate provoca întreruperi în timpul redării

b. Nu se garantează că toate dispozitivele USB vor fi suportate, datorită construcțiilor și producătorilor diferiți.

c. Nu se garantează că toate fișierele MP3 vor fi redare corect.

Utilizarea funcției Bluetooth

Dispozitivul are o funcție Bluetooth care permite redarea wireless a sunetului de la alte dispozitive.

Sincronizarea: Apăsați pe butonul de selectare a sursei (source) până când pe afișaj apare mesajul "BT". Apoi activați funcția Bluetooth pe un dispozitiv extern, cum ar fi un smartphone etc. (Consultați manualul de utilizare al dispozitivului respectiv), verificați lista dispozitivelor Bluetooth disponibile pe dispozitiv și selectați "BP BB31LED"; se va auzi un sunet de confirmare după ce dispozitivele au fost sincronizate în mod corespunzător; apoi selectați și redați muzica de pe dispozitivul extern, iar sunetul va fi redat utilizând difuzoarele player-ului respectiv.

În modul Bluetooth apăsați pe butonul de redare (Play) / pauză (Pause) pentru a întrerupe sau a relua redarea; apăsați pe butonul înapoi (previous) / înainte (next) pentru a selecta o melodie; apăsați pe butonul de sincronizare BT (pairing) timp de 2 secunde pentru a vă deconecta de la dispozitivul curent iar playerul va fi gata să se conecteze la alte dispozitive Bluetooth.

Observații:

- Nu se garantează o sincronizare corespunzătoare cu toate dispozitivele Bluetooth datorită diferitelor configurații și producători.
- Cea mai bună distanță de funcționare a Bluetooth-ului este de 10 metri fără obstacole.
- În cazul unui apel primit, Bluetooth-ul se va întrerupe și se va relua automat după terminarea apelului.

Utilizarea modului AUX IN / Intrare linie / MP3 Link

Utilizați un cablu audio de 3,5 mm pentru a conecta intrarea AUX-IN pe panoul din spate al dispozitivului cu ieșirea audio de la un player extern (de ex. MP3 player etc.). Porniți dispozitivul și apăsați pe butonul de selecție a sursei (source) pentru a comuta în modul AUX-IN; Selectați și redați muzică de la playerul extern iar sunetul va fi redat utilizând difuzoarele dispozitivului respectiv. De reținut faptul că playerul extern are controlul principal iar volumul poate fi ajustat folosind acest aparat.

Ieșire căști: În modul de redare (CD / USB / SD / AUX / Bluetooth / radio), conectați căștile la ieșirea pentru căști de pe panoul din spate al dispozitivului. Sunetul din difuzoare va fi dezactivat automat și va fi auzit în căști.

Funcția de repaus (SLEEP): În modul de redare apăsați pe butonul "TIMER" în mod repetat pentru a activa funcția de repaus pentru 10/20/30/40/50/60/70/80/90 minute / oprire. Dispozitivul se va opri automat după intervalul de timp selectat.

Pornirea/oprirea iluminării cu LED

Apăsați și glisați comutatorul de pornire/oprire al iluminării de pe panoul din spate al dispozitivului pentru a porni sau opri iluminarea cu LED; apăsarea scurtă a butonului de volum vă permite să alegeți culoarea și modul de iluminare cu LED (există opt moduri disponibile și opțiunea de oprire).

Specificații

Sursă de alimentare: AC 100-230V ~ / 50Hz;
 Alimentare 12V DC (8 buc. x UM1, 1.5V, bateriile nu sunt incluse);
 Frecvență FM: 87,5 ~ 108,0 MHz;
 Discuri suportate: CD, CD-R, CD-RW, MP3-CD,
 Putere de ieșire RMS: 2 x 6Watt;
 Parametri port USB: 5V / 500mA (nu pentru încărcare);
 Compatibilitatea portului USB: suport media cu capacitate de până la 32 GB, fișier audio MP3;
 Bluetooth: versiunea EDR + 4.2; cea mai bună distanță de funcționare până la 10 metri.
 Consum de energie: 14W
 Consum de energie în mod de așteptare: < 1W
 (specificațiile de mai sus pot fi modificate fără o notificare prealabilă)

Remediarea problemelor

- Dispozitivul nu poate fi pornit.
 - Asigurați-vă că alimentarea DC a fost conectată corect.
 - Contactați centrul de service pentru orice probleme.
- Postul de radio nu sună bine
 - Mutați dispozitivul lângă fereastră sau reglați direcția antenei pentru o recepție mai bună.
 - Încercați să treceți la o altă stație.
 - Contactați centrul de service pentru orice probleme.
- Dispozitivul nu poate citi CD-ul sau stick-ul USB.
 - Verificați dacă discul CD sau fișierul audio este corespunzător.
 - Contactați centrul de service pentru orice probleme.
- Sunetul care vine prin Bluetooth este întrerupt.
 - Încercați să mutați dispozitivul Bluetooth în apropierea aparatului.
 - Opriiți Bluetooth-ul și sincronizați-l din nou.

ВАЖНИ ИНСТРУКЦИИ ЗА БЕЗОПАСНОСТ



ОПАСНОСТ ОТ ТОКОВ



УДАР
НЕ ОТВАРЯЙ

Внимание:

За да се намали рискът от токов удар, не се разрешава демонтиране на капака, дори и на задната част на устройството. В самото устройство няма елементи, предназначени за самостоятелно ремонтване от потребителите. С обслужване и ремонтване на оборудването се занимават единствено квалифицирани служители на сервиса.

Обяснение на графичните символи:



Светкавица, завършваща със стрелка, в равностранен триъгълник предупреждава потребителя за неизолотирано, „опасно“ напрежение около устройството, което напрежение може да има размери, заплашващи с токов удар.



Удивителният знак в равностранен триъгълник предупреждава потребителя, че в този момент в документацията, прикачена към устройството, се предоставя важна информация за обслужването и запазването на оборудването.

Моля, прочетете тази инструкция, преди да пристъпите към обслужване на устройството, за да се запознаете с неговите функции и да го използвате съгласно неговото предназначение. Това ще Ви осигури дълготрайно, безаварийно обслужване на устройството и удоволствие от използването му.

Важна информация

- Запазете инструкцията за ползване, както и информацията за безопасност, с цел използване в бъдеще.
- Да не се допуска прокапване или протичане на течност върху устройството.
- Също да не се използва на влажни места като например в баня.
- Да не се инсталира това устройство на следните места:
- Изложени на непосредствено действие на слънчеви лъчи или близо до радиатори.
- Да не се поставя на повърхността на друго стереофонично оборудване, което отделя топлина.
- Ако ще блокира вентилация или в прашно помещение.
- На места, изложени на постоянна вибрация.
- На места с висока влажност.
- Да не се поставя устройството близо до свещи или открит огън.
- Устройството може да се използва единствено по начина, описан в настоящата инструкция.
- Преди първото включване на захранването трябва да се уверите, че зарядното устройство е включено правилно.
- USB паметта се свързва непосредствено или с помощта на USB кабел с дължина до 25 см.

От съображения за сигурност да не се демонтират конструкциите, както и да не се осигурява достъп до вътрешността на устройството. Забранено е отварянето на устройството, както и отварянето на неговата конструкция, тъй като вътре няма части, които биха могли да бъдат поправени от потребителя. С обслужването и поправката на оборудването се занимават единствено квалифицирани служители на сервиса.

ИНСТРУКЦИИ ЗА БЕЗОПАСНОСТ

1. Прочетете инструкцията – преди употреба прочетете цялата инструкция за обслужване, както и информацията за безопасност.
2. Запазете инструкцията – запазете инструкцията за употреба и обслужване с цел по-нататъшно използване.
3. Спазвайте предупрежденията – постъпвайте съгласно с всички предупреждения, поместени на устройството и съгласно с инструкцията за употреба.
4. Спазвайте инструкциите – постъпвайте съгласно с инструкцията за употреба и насоките за потребителя.
5. Инсталация - настройвайте устройството в съответствие с инструкциите на производителя.
6. Източници на захранване - захранвайте устройството само от източници с параметри, посочени на захранващия кабел. Ако не сте сигурни каква енергия имате въкъси, трябва да се свържете с продавача на устройството или местния доставчик на електрическа енергия.
7. Заземяване или поляризация на захранването – устройството не трябва да бъде заземявано. Уверете се, че щепселът е изцяло пъхнат в електрическата мрежа или удължителния кабел, за да не се откриват щифтовете или контактите. Някои версии на устройството могат да бъдат оборудвани с поляризиран адаптер за променлив ток (с по-широк щифт). Този щепсел може да бъде вкаран в гнездото само по един начин. Това е функция за обезопасяване. Ако не можете да поставите щепсела в гнездото, опитайте да го обърнете. Ако щепселът все още не се побира в гнездото, поискайте от електротехник да го смените. Не изваждайте предизпителите от поляризиращ щепсел. Ако използвате удължителен кабел или захранващ кабел, различен от тези, предоставени с устройството, той трябва да има съответните щепсели и одобрения за безопасност, изисквани в дадената страна.
8. Обезопасяване на захранващия кабел - Захранващите кабели трябва да бъдат насочвани така, че да не може да се стъпва по тях, да не бъдат притискани или прерязани от поставени върху тях предмети. Обърнете специално внимание на щепселите, контактите и мястото, където кабелите се извеждат от устройството.
9. Претоварване - Не претоварвайте стенните контакти, удължителите и електро-разпределителите, тъй като това може да доведе до пожар или токов удар.
10. Вентилация - устройството трябва да бъде охлаждаемо правилно. Не поставяйте устройството на легло, диван или подобни повърхности. Не покривайте уреда с покривки, салфетки, вестници и др.
11. Топлина - не поставяйте устройството в близост до източници на топлина като радиатори, лъчеви нагреватели, печки или други уреди (включително топлинни генератори), които произвеждат топлина. Не поставяйте запалени свещи или друг открит огън върху устройството.

12. Вода и влага - За да намалите риска от пожар или токов удар, не излагайте устройството на пряк дъжд, вода или влага, например в сауната или в банята. Не използвайте това устройство близо до вода като вана, мивка, кухненска мивка или вана, в мокро помещение или в близост до плувен басейн (или на подобни места).
13. Предмети и течности в устройството - не вкарвайте предмети през отворите на устройството, тъй като могат да влязат в контакт с опасни точки и компоненти на напрежение, което може да доведе до пожар или токов удар. При никакви обстоятелства не трябва да разливате течности по повърхността на устройството. Не поставяйте върху устройството предмети, съдържачи течности.
14. Почистяване - Преди почистване винаги изключвайте устройството от контакта. Прахът около високоговорителя може да премахнете с помощта на суха кърпа. Ако за почистването ще използвате аерозол, не насочвайте пръскачката директно към устройството, а към кърпата. Внимавайте да не повредите задвижващите устройства.
15. Допълнително оборудване - Не използвайте аксесоари, които не са одобрени от производителя, тъй като те могат да представляват риск.
16. Аксесоари - Не поставяйте устройството върху нестабилна количка, стойка, статив, конзола или маса. Устройството може да се преобърне и повреди, както и може да причини сериозни наранявания у деца или възрастни. Използвайте само колички, стойки, стативи, конзоли и маси, определени от производителя или продавани заедно с устройството. Сглобете уреда съгласно инструкциите на производителя, като използвате монтажния комплект, препоръчан от производителя.
17. Преместване на устройството - устройството, поставено на количката, трябва да се премества много внимателно. Внезапно спиране, твърде голяма сила или неравна повърхност може да доведе до преобръщане на количката заедно с устройството.
18. Период на неизползване на устройството - Изключете захранващия кабел от контакта по време на гръмотевищни бури, или когато не използвате уреда за по-дълъг период от време.
19. Обслужване - не се опитвайте самостоятелно да правите преглед на устройството. Отварянето на капака може да доведе до опасно напрежение и да изложи потребителя на други опасности. С консервация и ремонтиране на оборудването се занимават единствено квалифицирани служители на сервиса.
20. Когато устройството не е в употреба, извадете захранващия кабел от контакта. Когато устройството е свързано към източник на захранване, то е в режим на готовност и не е напълно изключено.
21. Резервни части - при подмяна на части се уверете, че техникът е използвал препоръчаните от производителя резервни части или също, че частите са идентични с оригиналните. Подмяната с неодобрени части може да доведе до пожар, токов удар или други опасности.
22. Главни предпазители - за да предпазите устройството за постоянно от пожар, използвайте предпазители от съответния тип и параметри. Параметрите на предпазителите в даден обхват на напрежение са обозначени на устройството.
23. Не увеличавайте силата на звука, когато слушате част от песен с ниска сила на звука или при липсата на входен аудио сигнал. В противен случай при бързото увеличаване на силата на сигнала може да се стигне до повреда на високоговорителя.
24. Единственият начин за напълно изключване на устройството от източника на захранване е да изключите захранващия кабел от контакта или от устройството. Винаги, когато използвате устройството, трябва да има достъпен захранващ контакт или захранващ кабел.
25. Устройството трябва да се постави близо до контакт или удължителен кабел и така, че да е винаги достъпно.
26. Максималната температура на околната среда на устройството е 35 ° C.
27. Инструкции за електростатично разреждане - ако работата на устройството е прекъсната от електростатичен разряд, изключете уреда и повторно включете устройството или го преместете на друго място.
28. Батерия
 - a. Не излагайте батериите на прекомерна топлина като например слънчеви лъчи, огън и др.
 - b. Когато използвате батериите, обърнете внимание на изискванията за опазване на околната среда.
- в. Предупреждение за използване на батерията: За да не се стигне до изтичане на батерията, което може да доведе до нараняване или повреда на устройството:
 - , При поставяне на батерията, обърнете внимание на нейните полюси (+ и -).
 - , Не използвайте едновременно различни батерии - стари и нови, стандартни и алкални и др.
 - , Извадете батериите от устройството, ако няма да го използвате за по-дълъг период от време.

ВНИМАНИЕ

- Устройството не трябва да се използва от хора (включително деца) с намалени физически, сензорни или психически способности и лица с недостатъчни познания и опит, освен ако не са под наблюдението на лице, отговорно за тяхната безопасност и не са инструктирани как безопасно да използват устройството. Необходимо е присъствие на възрастни, ако устройството се използва от деца; това ще осигури безопасно използване на устройството.
1. Не оставяйте устройството без надзор! Изключвайте устройството, когато не го използвате, дори и за кратко време.
 2. Не включвайте устройството чрез възнен часовник, нито чрез отделна система за дистанционно управление.
 3. За да избегнете опасност при повреда на захранващия кабел, подмяната трябва да се извърши от производителя, от упълномощен сервизен център или от друго квалифицирано лице.
 4. Преди да използвате уреда се уверете, че напрежението му съответства на напрежението на местното захранване.
 5. Не покривайте вентилационните изходи, например с вестници, покривки, завеси и др. Уверете се, че над устройството има най-малко 20 см свободно пространство и от всяка страна на уреда - най-малко 5 см.
 6. Не допускайте да капят или да се разливат течности или не поставяйте предмети, съдържачи течности като например вази.
 7. За да избегнете пожар или токов удар, предпазвайте устройството от горещи места, дъжд, влага и прах.
 8. Не поставяйте устройството близо до водоизточници като кранове, вани, перални машини или плувни басейни. Поставете устройството на равна и стабилна повърхност.
 9. Не излагайте устройството на силни магнитни полета.
 10. Не поставяйте устройството директно върху усилвателя или приемника.
 11. Не поставяйте устройството на влажно място, тъй като влагата има вреден ефект върху електрическите компоненти.
 12. При внасяне на устройството от студено на топло или на влажно място, може да се образува конденз върху обектива въртре в плътера. В този случай устройството няма да работи правилно. Оставете включения уред в продължение на около един час, за да може влагата да се изпари.

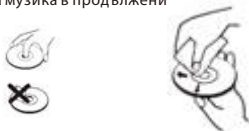
13. Не почиствайте устройството с химически разтворители, тъй като те могат да повредят лаковото покритие на конструкцията. Избършете устройството с чиста, суха или леко влажна кърпа.
14. Когато изваждате щепсела от контакта, винаги издърпвайте щепсела, а не захранващия кабел.
15. Когато устройството е включено в близост до телевизор, то може да е източник на смущения под формата на линии на екрана. Това зависи от дължината на телевизионната вълна. Не означава неизправност на устройството или телевизора. Ако видите такива линии, преместете устройството далеч от телевизора.
16. Захранващият щепсел се използва за изключване на захранващото напрежение и трябва да е винаги на разположение.
17. За да запазите лазерната глава за четене на CD чиста, не я докосвайте и винаги затваряйте гнездото за дискове.
18. По време на възпроизвеждане дискът се върти при висока скорост. НЕ повдигайте и не премествайте устройството, когато е в режим на работа, тъй като това може да повреди диска или самото устройство.
19. Преди да преместите устройството на друго място или по време на преместването, извадете диска и затворете гнездото за дискове. След това изключете захранването и извадете захранващия кабел. Преместването на устройството с диск в гнездото за дискове може да повреди устройството.
20. След използване на диска, го поставете в опаковката. Не излагайте диска на пряка слънчева светлина и топлина. Не оставяйте дисковете в кола, паркирана на слънце.
21. Не докосвайте страната на диска без етикет. Хващайте дисковете за техния край, за да не оставите отпечатъци. Прахът, отпечатъците от пръсти или драскотините по диска могат да причинят неизправност на плейъра. Не летете лепелки или самозалепващо тиксо по диска.
22. Почиствайте диска с чиста кърпа, която не оставя влакна. Започвайте с праволинейно движение от средата на диска до неговия край, като за целта използвайте обичайните почистващи препарати или антистатични средства за винилови дискове.
23. За да предотвратите евентуална загуба на слух, не слушайте силна музика в продължителни периоди от време.



ВНИМАНИЕ: ИЗТОЧНИК НА РАДИАЦИЯ

CLASS 1 LASER PRODUCT
LUOKAN 1 LASERLAITE
KLASS 1 LASERAPPARAT

COMPACT
disc
DIGITAL AUDIO



Този етикет означава, че вътре в устройството има лазерни компоненти. Отварянето на капака на гнездото за дискове и заобикалянето на защитните блокади ще изложи потребителя на лазерно лъчение. Не гледайте лазерния лъч, докато устройството работи.

ПРЕДИ ДА ЗАПОЧНЕТЕ РАБОТА

Забележки: относно компактни дискове.

Тъй като мръсните, повредени или деформирани дискове могат да доведат до повреда в устройството, обърнете внимание на следното:

- a. Компактни дискове, които можете да използвате. Може да използвате само долупосочените компактни дискове.
- b. Само CD с цифров аудио звук.

ВНИМАНИЕ



Декларация

С настоящото Blaupunkt Competence Center 2N-Everpol Sp. z o.o. декларира, че това устройство отговаря на изискванията и други приложими разпоредби на Директива 2014/53 / на ЕС. Пълната декларация за съответствие може да бъде намерена на www.blaupunkt.com в раздела за продукти.

Отговорно лице: 2N-Everpol Sp. Z o.o.
Puławska 403A, 02-801 Warszawa, Polska
Телефон: +48 22 331 99 59, e-mail: info@everpol.pl



Продуктът е произведен от висококачествени материали и компоненти, които могат да бъдат рециклирани и повторно използвани.



Ако на устройството има знак със задраскано кошче за отпадъци, това означава, че продуктът е обхванат от Европейската директива 2012/19 / ЕС. Запознайте се с изискванията на местната система за събиране на електрически и електронни отпадъци. Следвайте местните разпоредби. Не изхвърляйте този продукт заедно с обикновените битови отпадъци. Правилното изхвърляне на стария продукт ще предотврати потенциални негативни последици за околната среда и човешкото здраве.



Устройството е оборудвано с с батерии, които са част от европейска директива 2013/56/ЕС. Не изхвърляйте батериите заедно с битови отпадъци. Запознайте се с изискванията на местната система за събиране на батерии, тъй като правилната употреба на стария продукт ще предотврати потенциални негативни последици за околната среда и човешкото здраве.

Информация за опазване на околната среда

Пакетът съдържа само необходимите елементи. Положени са всички усилия, за да се гарантира, че трите компонента на опаковката са лесни за разделяне: картонена кутия, полистиролова пяна (вътрешна защита) и полиетилен (торбички, защитен лист). Устройството е изработено от материали, които могат да бъдат рециклирани и повторно използвани, след като се демонтират от специализирана фирма. Спазвайте местните разпоредби за изхвърляне на опаковъчни материали, отпадъчни батерии и ненужно оборудване.

Записването и възпроизвеждането на материали може да изисква съгласие. Вижте Закона за авторските права и правата на изпълнителите/ артистите.

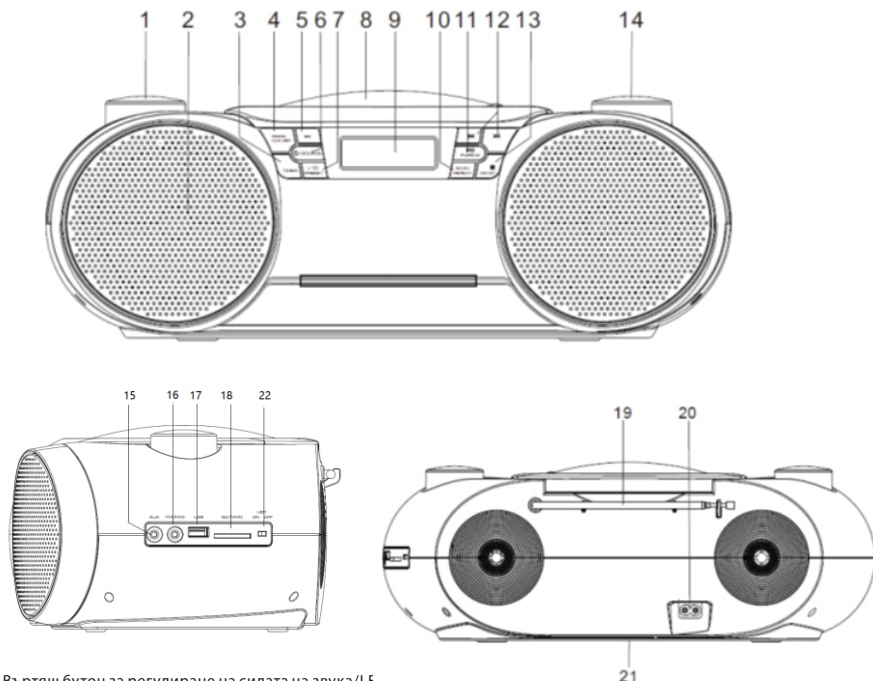
Забележка относно ERP2 (на устройства, свързани с енергопотребление)

Настоящото устройство с екопроекта отговаря на изискванията на етап 2 от Регламента на Комисията (ЕО) № 1275/2008 за прилагане на Директива 2009/125 / ЕО относно консумацията на енергия от електроуреди за офиса и дома.



Собственик на търговските знаци и логото Bluetooth® е фирма Bluetooth SIG, Inc. USA. Използването на тези знаци и логото подлежи на лицензиране. Другите знаци и търговски названия принадлежат на съответните собственици.

Разположение на елементите за управление



1. Въртящ бутон за регулиране на силата на звука/LE
2. Таймер
3. Бутон за смяна на режимите на коректора EQ (normal / rock / pop / jazz / classic)
4. Бутон за програмиране (program)/ настройка на часовника (clock set)
5. Бутон за смяна на режимите на коректора EQ (normal / rock / pop / jazz / classic)
6. Бутон за включване на захранването (power) / за избор на източника на звук (source)
7. + 10 / начална настройка (preset)
8. Капак на CD
9. LCD дисплей
10. Бутон за сканиране (scan) / повтаряне (repeat) - повтаряне на едно музикално произведение / повтаряне на всички произведения / възпроизвеждане на музикални произведения по случаен ред. 11. Възпроизвеждане (Play) / спиране (Pause), Бутон за сдвояване на устройства BT (pairing)
12. Бутон за смяна на предишното (previous) / следващото (next) произведение
13. Бутон стоп / превключване на режими моно/стерео
14. Бутон за настройка на радиостанции
15. Входно гнездо AUX-IN
16. Гнездо за слушалки
17. USB порт
18. Гнездо за карти SD / MMC
19. Антена FM
20. Гнездо за захранване AC
21. Гнездо за батерии
22. LED ON/OFF

Свързване на източника на захранване

Захранване AC: свържете гнездото AC намиращо се върху задния панел на уреда към стенния мрежов контакт AC с помощта на приложния кабел.

Захранване DC (акумулаторно захранване): отворете капака на гнездото на батериите и поставете 8 батерии от тип UM1 / 1,5V (не са приложени в комплекта) в съответствие с означенията на положителния и отрицателния полюс. След това затворете капака на гнездото на батериите.

След правилно свързване на захранването дисплеят ще се включи. Натиснете бутона за включване на захранването (power) / избора на източника на звука (source), за да изберете източник на възпроизвеждане, натиснете и задръжте този бутон за 2 секунди, за да изключите устройството (да превключите в режим готовност). След свързване към захранвателна мрежа батериите автоматично ще бъдат разединени.

Забележки:

а. Когато звукът бъде деформиран поради изтопени батерии или ниското ниво на зареждане на батериите, тогава трябва да подмените батериите с нови. Батериите да се съхраняват в съответствие с местните разпоредби в тази област, по начин, благоприятен за околната среда.

b. Не бива да поставяте батерии от различни производители; за да избегнете изтичане на електролит, трябва да извадите батериите, ако през по-продължителен период от време не използвате уреда.

Настройка на часовника и алармата

Настройка на часовника: натиснете и задръжте бутона на захранването (power) / източника (source) за 2 секунди, за да преминете в режим готовност (standby). Натиснете и задръжте бутона за програмиране (program) / настройка на часовника (clock set) за 2 секунди, за да започнете настройката. Натиснете бутон предишно / следващо произведение, за да изберете формата на времето - 12/24 часа и отново натиснете бутона за програмиране (program) / настройка на часовника (clock set), за да потвърдите избора. Повтаряйте описаната дейност, за да настроите часа и минутите.

Настройка на алармата: В режим готовност натиснете и задръжте бутон „TIMER“ за 2 секунди, за да започнете настройка на алармата, цифрите върху дисплея ще започнат да мигат. Натиснете бутон предишно (previous) / следващо произведение (next), за да зададете часа и отново натиснете бутон „TIMER“, за да потвърдите избора. Повторете горната дейност, за да зададете минутите / източника на алармата (CD / USB / SD / Bb3EP / FM) / силата на звука на алармата и т.н.

a. Часовникът и алармата работят само, когато е достъпен източник на захранване. В случай на отпадане на захранващото напрежение трябва отново да настроите часовника и алармата.

b. С краткотрайно натискане на бутон „TIMER“ в режим готовност (standby) можете да включите или изключите алармата.

c. Когато алармата се включи, натиснете краткотрайно бутон захранване (power) / източник (source) или бутон „TIMER“, за да изключите звука на алармата и да настроите будилника в режим събуждане за следващия ден по същото време.

d. Времето на действие на алармата е 5 минути, ако не бъде анулирана по-рано.

e. Ако за източник на алармата е избран CD / USB / SD, трябва да се уверите, че в устройството се намират съответните носители на звук (CD диск, карта SD, USB памет). В противен случай ще се включи бързърт.

Обслужване на CD

Устройството може да възпроизвежда CD дискове, записани във формат CD / CD-R / CD-RW / MP3. Преди да започнете възпроизвеждането, първо трябва да проверите формата на CD и да се уверите, че дискът CD е чист и неповреден.

Възпроизвеждане на CD: отворете капака на CD устройството и поставете диска, след което затворете капака. Натискайте бутон захранване (power) / източник (source), за да включите режим CD; тогава устройството автоматично ще прочете CD диска и ще възпроизведе звука.

В режим възпроизвеждане на CD дискове завъртете бутона за регулиране на силата на звука, за да регулирате силата на звука; натиснете бутона за възпроизвеждане (Play) / спиране (Pause), за да спрете или отново да включите възпроизвеждането; натиснете бутон стоп, за да спрете възпроизвеждането; натиснете краткотрайно бутон предишно (previous) / следващо (next) произведение, за да изберете музикално произведение, натиснете и задръжте бутона, за да превъртите песента напред или назад; натискайте бутона за повтаряне (repeat), за да включите повтарянето на едно произведение / повтаряне на всички произведения или да включите възпроизвеждане по случаен ред; С краткотрайно натискане на бутон +10 ще включите възпроизвеждането на всяко 10-то произведение; натиснете бутон EQ, за да изберете режим коректор на звука.

Програмиране на възпроизвеждания (до 20 произведения на CD диск и 99 произведения на дискове MP3): натиснете бутон стоп, натиснете бутона за програмиране (program), за да започнете програмирането; върху дисплея ще се появят символите "P01" и "PROG"; натиснете бутон предишно (previous) / следващо (next) произведение, за да изберете музикалното произведение, което искате да програмирате, а след това натиснете бутона за програмиране (program), за да потвърдите избора; музикалното произведение ще бъде записано като P01. Повтаряйте тази дейност, докато върху дисплея се появи надпис "FUL", което означава, че програмираната памет е пълна. Натиснете бутона за възпроизвеждане (Play), за да възпроизведете програмираните произведения; отворете капака на CD устройството или натиснете двукратно бутон стоп, за да анулирате и изтриете програмираните настройки за възпроизвеждане.

Обслужване на радио FM

Преди да започнете обслужване на радиото, трябва да изтеглите цялата антена FM и да опитате да поставите устройството близо до прозорца, за да има по-добър сигнал.

Сканиране и автоматично сканиране: натиснете и задръжте бутон предишно (previous) / следващо (next) произведение за 2 секунди, за да сканирате автоматично достъпните станции нагоре и надолу в честотната лента; натиснете бутон сканиране (scan) за автоматично сканиране и записване на достъпните радиостанции (максимален брой програмирани радиостанции: 40). Натиснете бутон + 10 / начални настройки (preset), за да изберете и включите програмираната радиостанция.

Ръчно програмиране на радиостанция: След намирането на желаната радиостанция с помощта на въртящия бутон за настройка на радиовълните или с бутона за сканиране (scan), първо натиснете бутон програмиране (program), а след това завъртете бутона за настройка на радиовълните, за да изберете номера в паметта, с който искате да запишете текущата радиостанция, натиснете бутон програмиране (program), за да потвърдите избора; повторете горната дейност за записване на поредни радиостанции.

Ако слушате радиостанция с по-слаб сигнал, в режим радио FM трябва да натиснете бутон стоп / моно/ стерео, за да превключите приемника в режим моно.

Възпроизвеждане от карти SD / USB

Преди да започнете възпроизвеждане от карти SD / USB, трябва да копирате файловете аудио MP3 върху съответен носител (максималният капацитет на носителите е до 32 GB), след което включете носителя с файловете в порта USB / SD. Натиснете няколкократно бутона за избор на източника на звук (source), за да включите режим USB / SD, след което устройството автоматично ще прочете аудио файловете и след известно време ще възпроизведе звука.

В режим USB натиснете бутона за възпроизвеждане (Play) / спиране (Pause), за да спрете или отново да включите възпроизвеждането; натиснете бутон стоп, за да спрете възпроизвеждането; натиснете краткотрайно бутон предишно (previous) / следващо (next) произведение, за да изберете музикално произведение, натиснете и задръжте бутона, за да превъртите песента напред или назад; натискайте бутона за повтаряне (repeat), за да включите повтарянето на едно произведение / повтаряне на всички произведения или да включите възпроизвеждане по случаен ред; С краткотрайно натискане на бутон +10 ще включите възпроизвеждането на всяко 10-то произведение; натиснете бутон EQ, за да изберете режим коректор на звука.

Забележка:

- a. Използването на удължител за включване на USB устройство не се препоръчва, тъй като може да доведе до смущения по време на възпроизвеждането
- b. Не се гарантира, че всички USB устройства ще бъдат обслужвани поради разликите в решенията на различните производители.
- c. Не се гарантира, че всички файлове MP3 ще бъдат правилно обслужвани.

Обслужване на Bluetooth

Устройството е оборудвано с функция Bluetooth, която позволява безжично възпроизвеждане на звук от други устройства.

Сдвояване: Натиснете бутона за избор на източник на звука (source), докато върху дисплея се появи съобщение "BT". След това включете функцията Bluetooth във външното устройство като например смартфон и др. (Запознайте се с инструкцията за употреба на даденото устройство), проверете списъка на достъпните устройства Bluetooth във външното устройство и изберете "BP BB31LED"; след правилното сдвояване на устройствата ще чуете звуков потвърждаващ сигнал; след това изберете и възпроизведете музиката от външното устройство, а звукът ще бъде възпроизведен от високоговорителите на този плейър.

В режим Bluetooth натиснете бутона възпроизвеждане (Play) / пауза (Pause), за да спрете или отново да включите възпроизвеждането; натиснете бутона за предишно (previous) / следващо (next) произведение, за да изберете желаната песен; натиснете бутона за сдвояване BT (pairing) в продължение на 2 секунди, за да прекъснете връзката с текущото устройство, плейърът ще бъде готов за сдвояване с други устройства с функция Bluetooth.

Забележки:

- a. Не се гарантира правилното сдвояване с всички устройства с функция Bluetooth поради различните решения на производителите.
- b. Най-доброто разстояние за правилното действие на Bluetooth е 10 метра без препятствия.
- c. В случай на приемане на обаждане възпроизвеждането Bluetooth ще бъде спряно и автоматично възобновено след завършване на телефонния разговор.

Обслужване на режим AUX IN / Линеен вход/ MP3 Link

С помощта на аудио кабел 3,5 mm свържете гнездото AUX-IN върху задния панел на устройството с изхода на аудио сигнала на външния плейър (напр. плейър MP3 и др.). Включете устройството и натиснете бутона за избор на източник (source), за да влезете в режим AUX-IN; Изберете и възпроизведете музиката от външния плейър, а звукът ще бъде възпроизведен от високоговорителите на това устройство. Трябва да обърнете внимание, че гласното управление се извършва с помощта на външен плейър, а в това устройство може да се регулира силата на звука.

Изходи за слушалки: в режим възпроизвеждане (CD / USB / SD / AUX / Bluetooth / радио) свържете слушалките към гнездото за слушалки в задния панел на устройството. Звукът във високоговорителите автоматично ще бъде изключен и ще го чувате в слушалките

Функция заспиване (SLEEP): Натиснете няколкократно бутон „TIMER“ в режим възпроизвеждане, за да включите функцията заспиване в обхват 10/20/30/40/50/60/70/80/90 минути / изключена. След изтичане на зададеното време устройството ще се изключи автоматично.

Включване/изключване на LED осветлението

Натиснете и преместете превключвателя за включване/изключване на осветлението върху задния панел на уреда, за да включите или да изключите LED осветлението; по-краткотрайно натискане на бутона за сила на звука позволява избор на цвят и режим на LED осветлението (достъпни са 8 режима и възможност за изключване).

Спецификация:

- Източник на захранване: AC 100-230V~ / 50 Hz;
- Захранване 12V DC (8 бр. x UM 1, 1,5V, батериите не са включени в комплекта);
- Честота FM: 87,5 ~ 108,0 MHz;
- Обслужвани дискове: CD, CD-R, CD-RW, MP3-CD,
- Изходна мощност RMS: 2 x 6 W;
- Параметри на USB порта: 5V / 500 mA (не за зареждане);
- Съвместимост на USB порта: носители с капацитет до 32 GB, файлове аудио MP3;
- Bluetooth: версия EDR + 4,2; най-добро разстояние за работа - до 10 метра.
- Консумация на мощност: 14W
- Консумация на мощност в режим готовност: <1W
- (спецификацията на устройството може да бъде променена без предизвестие)

Решаване на проблеми

1. Устройството не може да се включи.
 - a. Вижте, дали захранването DC е правилно свързано.
 - b. Свържете се със сервизен център при наличие на проблеми.
2. Радиостанцията не звучи добре.
 - a. Преместете устройството близо до прозореца или регулирайте посоката на антената, за да получите по-добър сигнал.
 - b. Опитайте да включите друга радиостанция.
 - c. В случай на проблеми се свържете със сервизен център.
3. Устройството не може да чете диска CD или USB паметта.
 - a. Проверете, дали дискът CD или аудио файлът са правилни.
 - b. В случай на проблеми се свържете със сервизен център.
4. Звукът чрез Bluetooth прекъсва.
 - a. Опитайте да преместите устройството с Bluetooth по-близо до плейъра.
 - b. Изключете Bluetooth и сдвоете отново двете устройства.

ΣΗΜΑΝΤΙΚΕΣ ΠΛΗΡΟΦΟΡΙΕΣ ΣΧΕΤΙΚΑ ΜΕ ΤΗΝ ΑΣΦΑΛΕΙΑ

ΠΡΟΕΙΔΟΠΟΙΗΣΗ

**ΚΙΝΔΥΝΟΣ ΗΛΕΚΤΡΟΠΛΗΞΙΑΣ
ΜΗΝ ΑΝΟΙΓΕΤΕ**
Προειδοποίηση:

Για να μειώσετε τον κίνδυνο ηλεκτροπληξίας, δεν επιτρέπεται να αποσυναρμολογήσετε το κάλυμμα ούτε το οπίσθιο μέρος της συσκευής. Μέσα στη συσκευή δεν υπάρχουν εξαρτήματα προορισμένα για επισκευή από τον χρήστη. Η συντήρηση και η επισκευή του εξοπλισμού εκτελείται αποκλειστικά από τους εξουσιοδοτημένους υπάλληλους σέρβις.

Εξήγηση γραφικών συμβόλων


Το σύμβολο αστραπής με το βέλος στην άκρη της μέσα στο ισόπλευρο τρίγωνο προειδοποιεί τον χρήστη από μη μονωμένη, "επικίνδυνη ηλεκτρική τάση" στο περίβλημα της συσκευής που μπορεί να έχει την τιμή η οποία προκαλεί ηλεκτροπληξία.



Το σύμβολο θαυμαστικού στο ισόπλευρο τρίγωνο προειδοποιεί τον χρήστη ότι σε αυτό τον τόπο των τεκμηρίωσης που συνάπτεται στη συσκευή, παρουσιάζονται σημαντικές πληροφορίες σχετικά με τον χειρισμό και τη συντήρηση της συσκευής.

Παρακαλούμε να διαβάσετε αυτές τις οδηγίες χρήσης πριν αρχίσετε να χειρίζεστε τη συσκευή, για να γνωρίσετε τις λειτουργίες της και για τη χρησιμοποίησή της σύμφωνα με τον προορισμό της. Έτσι διασφαλίζετε τον διαρκή χειρισμό της συσκευής χωρίς βλάβες και απόλαυση από τη χρήση της συσκευής.

Σημαντικές πληροφορίες

- Πρέπει να κρατήσετε τις οδηγίες χρήσης και τις πληροφορίες σχετικά με την ασφάλεια με σκοπό τη μελλοντική χρήση τους.
- Μην επιτρέψετε κανένα υγρό να στάξει ή να χυθεί στη συσκευή.
- Δεν επιτρέπεται να χρησιμοποιήσετε τη συσκευή σε μέρη με υγρασία όπως π.χ. μπάνιο.
- Δεν επιτρέπεται να εγκαταστήσετε αυτή τη συσκευή στα ακόλουθα μέρη:
 - Μέρη εκτεθειμένα στην άμεση ακτινοβολία ή κοντά σε θερμάστρες.
 - Μην τοποθετείτε πάνω στη συσκευή άλλο εξοπλισμό στερεό που εκπέμπει θερμότητα.
- Όπου μπλοκάρεται ο εξαερισμός ή σε μέρος με σκόνη.
- Σε μέρη εκτεθειμένα σε συνεχείς δονήσεις.
- Σε μέρη με μεγάλη υγρασία.
- Δεν επιτρέπεται να τοποθετήσετε τη συσκευή δίπλα σε κερία και ανοιχτή φλόγα.
- Μπορείτε να χρησιμοποιήσετε τη συσκευή με τον τρόπο που περιγράφεται στις παρούσες οδηγίες χρήσης.
- Πριν από την πρώτη ενεργοποίηση, πρέπει να βεβαιωθείτε ότι το τροφοδοτικό είναι κατάλληλα συνδεδεμένο.
- Η μνήμη USB συνδεδεμένη άμεσα ή με επέκταση USB μήκους έως 25 cm.

Για λόγους ασφαλείας δεν επιτρέπεται να αποσυναρμολογήσετε το περίβλημα ούτε να έχετε πρόσβαση στο μέσο της συσκευής. Η συσκευή πρέπει να επισκευαστεί από το εξειδικευμένο προσωπικό του σέρβις.

Δεν επιτρέπεται να ξεβιδώσετε τη συσκευή ούτε να ανοίξετε το περίβλημά της, γιατί μέσα δεν υπάρχουν εξαρτήματα που μπορεί να επισκευαστούν από τον χρήστη. Η συντήρηση και η επισκευή του εξοπλισμού εκτελείται αποκλειστικά από τους εξουσιοδοτημένους υπάλληλους σέρβις.

ΣΗΜΑΝΤΙΚΕΣ ΠΛΗΡΟΦΟΡΙΕΣ ΣΧΕΤΙΚΑ ΜΕ ΤΗΝ ΑΣΦΑΛΕΙΑ

1. Διαβάστε τις οδηγίες χρήσης – πριν χρησιμοποιήσετε τη συσκευή πρέπει να διαβάσετε όλες τις οδηγίες χρήσης και τις πληροφορίες για την ασφάλεια.
2. Φυλάξτε τις οδηγίες χρήσης – πρέπει να φυλάξετε τις οδηγίες χρήσης και χειρισμού με σκοπό να τις χρησιμοποιήσετε στο μέλλον.
3. κολουθήστε τις προειδοποιήσεις – πρέπει να ακολουθήσετε όλες τις προειδοποιήσεις που είναι τοποθετημένες πάνω στη συσκευή και να ακολουθήσετε τις οδηγίες χρήσης.
4. Ακολουθήστε τις οδηγίες χρήσης – πρέπει να ακολουθήσετε τις οδηγίες χρήσης και τις συμβουλές για τον χρήστη.
5. Εγκατάσταση – πρέπει να τοποθετήσετε τη συσκευή σύμφωνα με τις οδηγίες του κατασκευαστή.
6. Πηγή τροφοδοσίας – η συσκευή πρέπει να τροφοδοτηθεί αποκλειστικά από τις πηγές με τις παραμέτρους που αναφέρονται στις εισηγμένες του καλωδίου τροφοδοσίας. Αν ο χρήστης δεν είναι σίγουρος ποιαου τύπου τροφοδοσία έχει στο σπίτι του, πρέπει να επικοινωνήσει με τον πωλητή της συσκευής ή τον τοπικό προμηθευτή ηλεκτρικής ενέργειας.
7. Γείωση και πόλωση της συσκευής – η συσκευή πρέπει να έχει γείωση. Πρέπει να βεβαιωθείτε ότι το φως είναι τελικά τοποθετημένο στην πρίζα ηλεκτρικού δικτύου ή της επέκτασης, για να μην αφήσετε τους πείρους ή τους επαφές το φως χωρίς κάλυμμα. Κάποιες εκδόγες της συσκευής μπορεί να είναι εξοπλισμένες με πολωμένο φως εναλασσόμενο ρεύματος (με έναν πείρο πλατύτερο). Μπορείτε να βάλετε αυτό το φως στην πρίζα μόνο με έναν τρόπο. Αυτό είναι η λειτουργία προστασίας. Αν δεν μπορείτε να βάλετε το φως στην πρίζα, πρέπει να το περιστρέψετε. Αν το φως εξακολουθεί να μην ταιριάζει στην πρίζα, πρέπει να δώσετε εντολή στον ηλεκτρολόγο να αντικαταστήσει την πρίζα. Δεν επιτρέπεται να βγάλετε τα προστατευτικά του πολωμένου φως. Όταν χρησιμοποιείτε επέκταση ή καλώδιο τροφοδοσίας διαφορετικό από αυτό που παραδίδεται μαζί με τη συσκευή, αυτά πρέπει να έχουν κατάλληλα φως και το πιστοποιητικό ασφαλείας.
8. Προστασία του καλωδίου τροφοδοσίας – τα καλώδια τροφοδοσίας πρέπει να δρομολογούνται έτσι, ώστε να μην τα πατάτε, να μην τα πιέζετε και μην τα κόβετε με τοποθετημένα πάνω τους αντικείμενα. Δώστε ειδική σημασία στα φως, τις πρίζες ηλεκτρικού δικτύου και του τόπου όπου τα καλώδια είναι τοποθετημένα μέσα στη συσκευή.
9. Υπερφόρτωση – Δεν επιτρέπεται να υπερφορτώσετε τις ηλεκτρικές πρίζες τοίχου, τις επεκτάσεις και τους διαχωριστές, γιατί αυτό προκαλεί κίνδυνο πυρκαγιάς ή ηλεκτροπληξίας.
10. Εξαερισμός – η συσκευή πρέπει να έχει κατάλληλο εξαερισμό. Δεν επιτρέπεται να τοποθετήσετε τη συσκευή πάνω σε ένα κρεβάτι, έναν καναπέ ή σε παρόμοιες επιφάνειες. Δεν επιτρέπεται να καλύψετε τη συσκευή με τραπέζιματλητα, πετσέτες, εφημερίδες κλπ.

12. Νερό και υγρασία – για να μειώσετε τον κίνδυνο πυρκαγιάς ή ηλεκτροπληξίας, δεν επιτρέπεται να εκθέτετε τη συσκευή στην άμεση επίδραση βροχής, νερού και υγρασίας όπως π.χ. στη σάουνα ή το μπάνιο. Μην χρησιμοποιείτε την παρούσα συσκευή δίπλα σε νερό, π.χ. δίπλα σε μια μπανιέρα, νιπτήρα, νεροχύτη κουζίνας ή σκάφη, σε ένα υπόγειο με υγρασία ή δίπλα σε πισίνα (ή σε παρόμοιους τόπους).
13. Αντικείμενα και υγρά μέσα στη συσκευή – δεν επιτρέπεται να πιέσετε οποιοδήποτε αντικείμενο μέσα από τα ανοίγματα της συσκευής, γιατί αυτά μπορεί να έχουν επαφή με τα σημεία της επικίνδυνης ηλεκτρικής τάσης και τα υποστήματα και αυτό μπορεί να προκαλέσει πυρκαγιά. Σε καμία περίπτωση μη χύσετε οποιοδήποτε υγρό δίπλα στη συσκευή. Δεν επιτρέπεται να βάζετε πάνω στη συσκευή τα αντικείμενα που περιέχουν υγρά.
14. Καθαρισμός – πάντα πρέπει να αποσυνδέετε τη συσκευή από την πρίζα ηλεκτρικού δικτύου πριν από καθαρισμό. Η σκόνη γύρω από το ηχείο μπορεί να αφαιρεθεί με ένα ύφασμα. Αν χρησιμοποιήσετε ένα αερόβλυστο για καθαρισμό, μην κατευθύνετε τη ροή ψεκασμού άμεσα στη συσκευή, αλλά σε ένα πανί. Πρέπει να προσέχετε να μη χαλάσετε τις μονάδες μετάδοσης κίνησης.
15. Πρόσθετος εξοπλισμός – μη χρησιμοποιήσετε αξεσουάρ που δεν επιτρέπονται από τον κατασκευαστή, γιατί αυτά μπορούν να προκαλέσουν κίνδυνο.
16. Αξεσουάρ – μην τοποθετείτε τη συσκευή σε ασταθές καροτσάκι, υποστήριγμα, τρίποδο, βάση ή τραπέζι. Η συσκευή μπορεί να ανατραπεί και να χαλάσει καθώς και να προκαλέσει σοβαρά τραύματα σε παιδιά και σε ηλικιωμένα πρόσωπα. Πρέπει να χρησιμοποιήσετε αποκλειστικά καροτσάκια, υποστήριγματα, τρίποδα, βάσεις ή τραπέζια που ορίζονται από τον κατασκευαστή ή που πωλούνται μαζί με τη συσκευή. Εκτελέστε τη συναρμολόγηση της συσκευής σύμφωνα με τις οδηγίες του κατασκευαστή ή χρήση του σετ συναρμολόγησης που προτείνεται από τον κατασκευαστή.
17. Μεταφορά της συσκευής – πρέπει να μεταφέρετε τη συσκευή τοποθετημένη σε καροτσάκι πολύ προσεκτικά. Ξαφνικό σταμάτημα, υπερβολική δύναμη ή ανώμαλες επιφάνειες μπορεί να προκαλέσουν ανατροπή στο καροτσάκι μαζί με τη συσκευή.
18. Περίοδος όταν η συσκευή δεν χρησιμοποιείται – πρέπει να αποσυνδέσετε το καλώδιο τροφοδοσίας από την πρίζα ηλεκτρικού δικτύου κατά τις καταιγίδες με κεραυνούς ή όταν δεν χρησιμοποιείτε τη συσκευή πολλή ώρα.
19. Σέρβις – μην δοκιμάσετε να εκτελέσετε επιθεωρήσεις της συσκευής μόνοι σας. Το να ανοίξετε το κάλυμμα μπορεί να προκαλέσει επαφή με επικίνδυνη ηλεκτρική τάση και να εκτεθεί ο χρήστης σε άλλους κινδύνους. Η συντήρηση και η επισκευή του εξοπλισμού εκτελείται αποκλειστικά από τους εξουσιοδοτημένους υπάλληλους σέρβις.
20. Όταν δεν χρησιμοποιείτε τη συσκευή, πρέπει να αποσυνδέσετε το φως της από την πρίζα ηλεκτρικού δικτύου. Όταν η συσκευή είναι συνδεδεμένη στην πηγή ηλεκτρικής ενέργειας, είναι στον τρόπο λειτουργίας αναμονής και δεν είναι απολύτως απενεργοποιημένη.
21. Ανταλλακτικά – όταν αντικαθιστάτε εξαρτήματα πρέπει να ελέγχετε αν ο υπάλληλος του σέρβις έχει χρησιμοποιήσει τα ανταλλακτικά που προτείνονται από τον κατασκευαστή ή τα εξαρτήματα είναι ίδια όπως τα γνήσια εξαρτήματα. Η αντικατάσταση εξαρτημάτων με μην εγκεκριμένα προκαλεί κίνδυνο πυρκαγιάς, ηλεκτροπληξίας και άλλους κινδύνους.
22. Κύριες ηλεκτρικές ασφάλειες – για να προστατέψετε με συνεχή τρόπο τη συσκευή από πιθανή πυρκαγιά, πρέπει να χρησιμοποιήσετε τις ασφάλειες κατάλληλου τύπου και παραμέτρων. Οι παράμετροι των ασφαλειών του ορισμένου φάσματος της ηλεκτρικής τάσης επισημαίνονται πάνω στη συσκευή.
23. Δεν επιτρέπεται να αυξήσετε την ένταση ήχου όταν ακούτε ένα κομμάτι το οποίο έχει χαμηλή ένταση ήχου ή όταν δεν υπάρχει σήμα ήχου εισόδου. Σε αντίθετη περίπτωση, ενδέχεται να χαλάσετε το ηχείο με την ξαφνική αύξηση της έντασης του σήματος.
24. Η μοναδική λύση να αποσυνδέσετε πλήρως τη συσκευή από την πηγή ηλεκτρικής ενέργειας είναι η αποσύνδεση του καλωδίου τροφοδοσίας από την πρίζα ηλεκτρικής ενέργειας ή από τη συσκευή. Η πρίζα ηλεκτρικού δικτύου ή η υποδοχή του καλωδίου τροφοδοσίας στη συσκευή πάντα πρέπει να είναι διαθέσιμες κατά τη χρήση της συσκευής.
25. Η συσκευή πρέπει να τοποθετηθεί δίπλα σε πρίζα ηλεκτρικού δικτύου ή επέκταση έτσι ώστε να είναι πάντα διαθέσιμες.
26. Η μέγιστη θερμοκρασία περιβάλλοντος πρέπει είναι 35°C.
27. Οδηγίες σχετικά με τις ηλεκτροστατικές εκκινήσεις – αν η λειτουργία της συσκευής διαταράσσεται με τις ηλεκτροστατικές εκκινήσεις, πρέπει να την απενεργοποιήσετε και να την ενεργοποιήσετε ξανά ή να μεταφέρετε τη συσκευή σε άλλο τόπο.
28. Μπαταρία
- Δεν επιτρέπεται να εκθέτετε τις μπαταρίες στη δράση υπερβολικής ζέστης όπως π.χ. ηλιακή ακτινοβολία.
 - Κατά τη διάθεση των μπαταριών, πρέπει να δώσετε σημασία στις παραμέτρους της προστασίας του περιβάλλοντος.
 - Προειδοποίηση σχετικά με χρήση των μπαταριών: για να μην επιρρέψετε αποσφράγιση των μπαταριών που μπορεί να προκαλέσει τραύματα ή να χαλάσει τη συσκευή:
 - Όταν βάζετε τη μπαταρία δώστε σημασία στην πόλωση της (+ και -).
 - Δεν επιτρέπεται να χρησιμοποιήσετε ταυτόχρονα διαφορετικές μπαταρίες - καινούργιες και μεταχειρισμένες, τις μπαταρίες στάνταρ και αλκαλικές κλπ.
 - Πρέπει να βγάλετε τις μπαταρίες από τη συσκευή δεν τη χρησιμοποιείτε πολλή ώρα.

ΠΡΟΕΙΔΟΠΟΙΗΣΗ

Η συσκευή δεν επιτρέπεται να χρησιμοποιηθεί από πρόσωπα (συμπεριλαμβανόμενων των παιδιών) με μειωμένη φυσική και αισθητηριακή ικανότητα και τα πρόσωπα με ανεπαρκή γνώση και εμπειρία, αν δεν είναι υπό την εποπτεία του προσώπου που είναι υπεύθυνο για την ασφάλειά τους και δεν έχουν εκπαιδευθεί πως να χρησιμοποιούν τη συσκευή με ασφαλή τρόπο. Η παρουσία των ενηλίκων απαιτείται όταν τα παιδιά χειρίζονται τη συσκευή· έτσι θα διασφαλιστεί την ασφαλή χρήση της συσκευής.

- Δεν επιτρέπεται να αφήνετε τη συσκευή όταν λειτουργεί χωρίς καμία εποπτεία! Πρέπει να απενεργοποιείτε τη συσκευή όταν δεν τη χρησιμοποιείτε, ακόμη για ένα σύντομο διάστημα.
- Δεν επιτρέπεται να μεταχειρίζεστε τη συσκευή μέσα από ένα εξωτερικό ρολόι με χρονικό σύστημα ούτε με ξεχωριστό σύστημα τηλεχειρισμού.
- Για να αποφύγετε κίνδυνο σε περίπτωση βλάβης του καλωδίου τροφοδοσίας, η αντικατάστασή του πρέπει να εκτελείτε από τον κατασκευαστή, την εξουσιοδοτημένη υπηρεσία σέρβις ή άλλο πρόσωπο που διαθέτει τα κατάλληλα προσόντα.
- Πριν αρχίσετε να χειρίζεστε τη συσκευή, πρέπει να ελέγξετε αν η τάση της είναι συμβατή με την τάση του τοπικού ηλεκτρικού δικτύου.
- Δεν επιτρέπεται να καλύψετε τα ανοίγματα εξαερισμού π.χ. με εφημερίδες, τραπέζομάντηλα, κουρτίνες κλπ.. Πρέπει να βεβαιωθείτε ότι πάνω από τη συσκευή υπάρχει ένας ελεύθερο χώρος τουλάχιστον 20 cm και από κάθε πλευρά της - τουλάχιστον 5 cm.
- Δεν επιτρέπεται να στάξει ή να χυθεί κανένα υγρό στη συσκευή και δεν επιτρέπεται να βάζετε πάνω στη συσκευή κανένα αντικείμενο γεμάτο με υγρό όπως π.χ. ένα βάζο.
- Για να αποφύγετε πυρκαγιά ή ηλεκτροπληξία, πρέπει να προστατεύετε τη συσκευή από ζεστούς τόπους, τη δράση της βροχής, της υγρασίας και της σκόνης.
- Δεν επιτρέπεται να τοποθετείτε τη συσκευή κοντά σε οποιαδήποτε πηγή νερού όπως π.χ. βρύσες, μπανιέρες, πλυντήρια ή πισίνες κολύμβησης. Η συσκευή πρέπει να τοποθετηθεί σε μια ίσια και σταθερή βάση.

9. Δεν επιτρέπεται να εκθέτετε τη συσκευή σε ισχυρό μαγνητικό πεδίο.
10. Δεν επιτρέπεται να βάζετε τη συσκευή αμέσως στον ενισχυτή, δέκτη ή διακόπτη.
11. Δεν επιτρέπεται να βάζετε τη συσκευή σε ένα μέρος με υγρασία, γιατί η υγρασία έχει αρνητική επίδραση στα ηλεκτρικά συστήματα.
12. Μετά από μεταφορά της συσκευής από κρύο σε ζεστό τόπο ή σε τόπο με υγρασία, μπορεί να προκληθεί υγραποίηση της υγρασίας πάνω στον φακό στη συσκευή αμέσως αναπαγωγής. Σε μια τέτοια περίπτωση η συσκευή δεν θα λειτουργήσει σωστά. Πρέπει να αφήσετε τη συσκευή απενεργοποιημένη για περίπου μια ώρα, για να επιτρέψετε την εξάτμιση της υγρασίας.
13. Δεν επιτρέπεται να καθαρίζετε τη συσκευή με χημικούς διαλύτες, γιατί μπορεί να χαλάσουν το βερνίκι του περιβλήματος. Σκουπίστε τη συσκευή με ένα καθαρό, στεγνό ή λίγο μουσκεμένο πανί.
14. Όταν βγάσετε το φικ από την πρίζα τοίχου, πάντα πρέπει να τραβάτε το φικ και όχι το καλώδιο.
15. Όταν η ενεργοποιημένη συσκευή χρησιμοποιείται δίπλα σε ενεργοποιημένη τηλεόραση, μπορεί να είναι πηγή διαταραχών όρασης με τη μορφή γραμμών στην οθόνη. Αυτό εξαρτάται από τη ζώνη κυμάτων μετάδοσης της TV. Αυτό δεν σημαίνει ότι η συσκευή ή η τηλεόραση δεν λειτουργούν κατάλληλα. Αν αυτές γραμμές είναι ορατές, πρέπει να απομακρύνετε τη συσκευή από την τηλεόραση.
16. Το φικ ηλεκτρικού δικτύου χρησιμοποιείται για αποσύνδεση της ηλεκτρική τάσης τροφοδοσίας και πάντα πρέπει να είναι διαθέσιμο.
17. Για να διατηρήσετε την κεφαλή λέιζερ καθαρή για την ανάγνωση των δίσκων CD, μην την αγγίζετε και πάντα κλείνετε τη θήκη δίσκων.
18. Κατά την αναπαγωγή, ο δίσκος περιστρέφεται με μεγάλη ταχύτητα. ΔΕΝ ΕΠΙΤΡΕΠΕΤΑΙ να ανυψώνετε ούτε να μεταφέρετε τη συσκευή όταν αναπαράγει, γιατί έτσι μπορείτε να χαλάσετε τον δίσκο ή τη συσκευή.
19. Πριν μεταφέρετε τη συσκευή σε άλλο τόπο ή κατά τη διάρκεια μιας μετακόμισης, πρέπει να βγάλετε τον δίσκο και να κλείσετε τη θήκη δίσκου. Στη συνέχεια πρέπει να απενεργοποιήσετε την τροφοδοσία και να αποσυνδέσετε το καλώδιο τροφοδοσίας. Μεταφορά της συσκευής με τον δίσκο μέσα στη θήκη μπορεί να αποτελέσει αιτία βλάβης τους.
20. Μετά την αναπαγωγή του δίσκου, πρέπει να τον τοποθετήσετε στη συσκευασία του. Δεν επιτρέπεται να εκθέτετε δίσκους στην επίδραση άμεση ηλιακής ακτινοβολίας και πηγής θερμότητας. Δεν επιτρέπεται να αφήνετε δίσκους μέσα σε ένα αυτοκίνητο που σταθμεύει σε πλήρη ήλιο.
21. Μην αγγίζετε την πλευρά του δίσκου όπου δεν υπάρχει ετικέτα. Κρατάτε τον πιάνοντας τις άκρες του για να μην αφήσετε δακτυλικά αποτυπώματα. Η σκόνη, τα δακτυλικά αποτυπώματα ή οι ρωγμές των δίσκων μπορούν να είναι αιτία ακατάλληλης λειτουργίας της συσκευής αναπαγωγής. Δεν επιτρέπεται να επικολλάτε χαρτάκια ή αυτοκόλλητη ταινία πάνω στον δίσκο.
22. Για να καθαρίσετε τον δίσκο, χρησιμοποιήστε ένα πανί που δεν αφήνει κλωστές. Αρχίστε τον καθαρισμό με ευθύγραμμες κινήσεις από το κέντρο του δίσκου προς τις άκρες του, χρησιμοποιώντας για αυτό τον σκοπό γενικά διαθέσιμα καθαριστικά μέσα ή αντιστατικά μέσα για δίσκους βινυλλίου.
23. Για να μην επιτρέψετε πιθανή απώλεια ακοής, δεν επιτρέπεται να ακούτε μουσική πολύ δυνατά για πολλή ώρα.



ΠΡΟΕΙΔΟΠΟΙΗΣΗ: ΠΗΓΗ ΑΚΤΙΝΟΒΟΛΙΑΣ

CLASS 1 LASER PRODUCT
LUOKAN 1 LASERLAITE
KLASS 1 LASERAPPARAT

COMPACT
disc
DIGITAL AUDIO



Αυτή η ετικέτα σημαίνει ότι μέσα στη συσκευή υπάρχουν συστήματα λέιζερ. Το να ανοίξετε τη θήκη των δίσκων CD και η παράλειψη μπλοκαρισμάτων προστασίας, εκθέτει τον χρήστη στην επίδραση της ακτινοβολίας λέιζερ. Δεν επιτρέπεται να βλέπετε τη δέσμη λέιζερ κατά τη λειτουργία της συσκευής.

ΠΡΙΝ ΑΠΟ ΤΗ ΛΕΙΤΟΥΡΓΙΑ

Παρατηρήσεις: για τους συμπαγείς δίσκους

Καθώς βρώμικοι, χαλασμένοι ή παραμορφωμένοι δίσκοι μπορούν να αποτελέσουν αιτία βλάβης της συσκευής, πρέπει να δώσετε σημασία στα εξής στοιχεία:

- a. Οι συμπαγείς δίσκοι που μπορείτε να χρησιμοποιήσετε. Μπορείτε να χρησιμοποιείτε μόνο τους παρακάτω αναφερόμενου δίσκους.
- b. Δίσκους CD αποκλειστικά με ψηφιακό σήμα ήχου.

ΠΡΟΣΟΧΗ



Δήλωση

Δια του παρόντος η εταιρεία Blaupunkt Competence Center 2N-Everpol Sp. z o.o. δηλώνει ότι η παρούσα συσκευή είναι συμβατή με τις προϋποθέσεις και τις λοιπές σχετικές προβλέψεις της οδηγίας 2014/53 / ΕΕ. Μπορείτε να λάβετε την πλήρη δήλωση συμβατότητας από την ιστοσελίδα www.blaupunkt.com στην καρτέλα του προϊόντος.

Κατόχος άδειας κυκλοφορίας: 2N-Everpol Sp. z o.o.
Puławska 403A, 02-801 Warszawa, Πολωνία
Τηλέφωνο: +48 22 331 99 59, e-mail: info@everpol.pl



Το προϊόν κατασκευάστηκε από υλικά υψηλής ποιότητας και τα συστήματα, τα οποία μπορούν να ανακυκλωθούν και να χρησιμοποιηθούν ξανά.



Αν πάνω στη συσκευή υπάρχει το σύμβολο του διαγραμμένου κάδου, αυτό σημαίνει ότι το προϊόν καλύπτεται από τις προβλέψεις της ευρωπαϊκής οδηγίας 2012/19/ΕΕ. Πρέπει να εξοικειωθείτε με τις απαιτήσεις του τοπικού συστήματος συγκέντρωσης απορριπτόμενου εξοπλισμού και υπολειμμάτων υλικού διάλυσης. Πρέπει να ακολουθήσετε τους τοπικούς κανονισμούς. Μην απορρίψετε το προϊόν μαζί με τα κανονικά οικιακά απορρίμματα. Η σωστή διάθεση του παλαιού προϊόντος προστατεύει από αρνητικά αποτελέσματα για το φυσικό περιβάλλον και την ανθρώπινη υγεία.



Η συσκευή είναι εξοπλισμένη με μπαταρίες οι οποίες ορίζονται με την ευρωπαϊκή οδηγία 2013/56/ΕΕ. Δεν επιτρέπεται να απορρίψετε τις μπαταρίες μαζί με τα οικιακά απορρίμματα. Πρέπει να εξοικειωθείτε με τους τοπικούς κανονισμούς για την ξεχωριστή συγκέντρωση των μπαταριών, διότι η κατάλληλη διάθεση προστατεύει από πιθανά αρνητικά αποτελέσματά της για το φυσικό περιβάλλον και την ανθρώπινη ζωή.

Πληροφορίες για την προστασία του περιβάλλοντος

Η συσκευασία περιέχει μόνο τα απαραίτητα στοιχεία. Έχει καταβληθεί κάθε δυνατή προσπάθεια ώστε τα τρία συστατικά της συσκευασίας να διαχωριστούν εύκολα: χαρτί (κουτί), αφρός πολυστερίνης (προστατευτικά μέσα στη συσκευασία) και πολυαιθυλένιο (σακούλες, προστατευτικό φύλλο). Η συσκευή κατασκευάστηκε από υλικά τα οποία μπορούν να ανακυκλωθούν και να χρησιμοποιηθούν ξανά μετά την αποσυρμολόγησή τους. Πρέπει να ακολουθήσετε τους τοπικούς κανονισμούς σχετικά με τη διάθεση των υλικών συσκευασίας, των μεταχειρισμένων μπαταριών και των περιττών συσκευών.

Η εγγραφή και αναπαραγωγή υλικού μπορεί να απαιτήσει σχετική άδεια. Βλέπε το περί πνευματικών δικαιωμάτων και των δικαιωμάτων/δημιουργών/καλλιτεχνών νόμο.

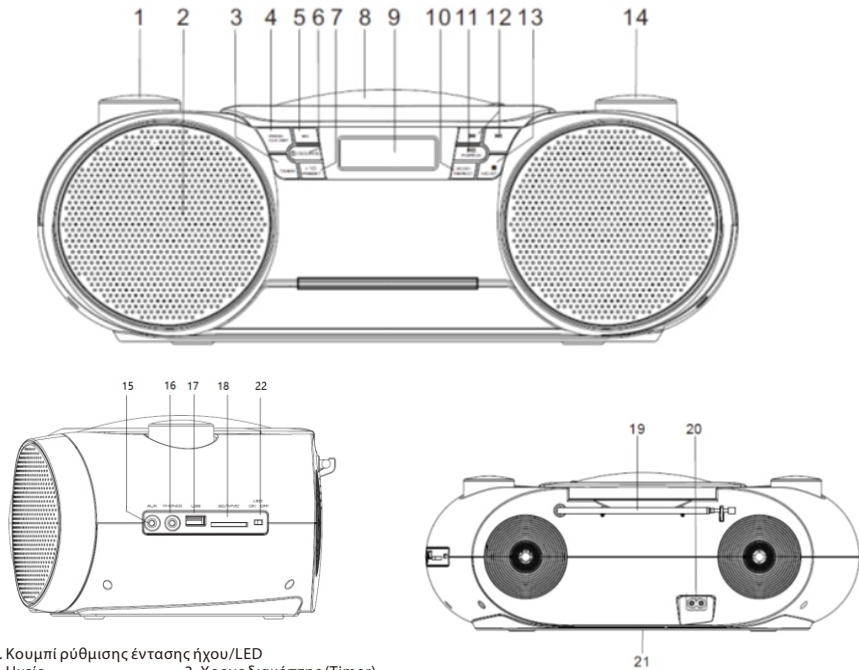
Παρατήρηση σχετικά με τις ERP2 (Συσκευές σχετικά με την ενέργεια)

Η παρούσα συσκευή είναι οικολογικού σχεδιασμού και πληροί τις απαιτήσεις της φάσης 2 του Κανονισμού (ΕΚ) αριθ. 1275/2008 της Επιτροπής περί εφαρμογής της οδηγίας 2009/125/ΕΚ σχετικά με την κατανάλωση ενέργειας σε κατάσταση απενεργοποίησης και αναμονής του ηλεκτρικού και ηλεκτρονικού εξοπλισμού γραφείου και οικιακού εξοπλισμού.



Ο κάτοχος των εμπορικών σημάτων και του λογότυπου Bluetooth® είναι η εταιρεία Bluetooth SIG, Inc. USA. Η εκμετάλλευση αυτών των σημάτων και του λογότυπου καλύπτεται από την άδεια χρήσεως. Άλλα σήματα και εμπορικές ονομασίες αποτελούν κυριότητα σχετικών ιδιοκτητών.

Τοποθεσία στοιχείων ελέγχου



1. Κουμπί ρύθμισης έντασης ήχου/LED
2. Ηχείο
3. Χρονοδιακόπτης (Timer)
4. Κουμπί προγραμματισμού (program) / προγραμματισμού ρολογιού (clock set)
5. Κουμπί αλλαγής τρόπων λειτουργίας εξισορροπητή (εκουαλίτζερ) EQ (nomal / rock / pop / jazz / classic)
6. Κουμπί ενεργοποίησης τροφοδοσίας (power) / επιλογής πηγής ήχου (source)
7. + 10 / αρχικές ρυθμίσεις (preset)
8. Κάλυμμα οδηγού CD
9. Οθόνη LCD
10. Κουμπί σάρωσης (scan) / επανάληψη (repeat) - επανάληψη ενός κομματιού / επανάληψη όλων των κομματιών / τυχαία αναπαραγωγή κομματιών
11. Αναπαραγωγή (Play) / παύση (Pause), Κουμπί σύζευξης των συσκευών BT (pairing)
12. Κουμπί αλλαγής κομματιού προηγούμενο (previous) / επόμενο (next)
13. Κουμπί stop / αλλαγή τρόπου λειτουργίας mono/stereo
14. Κουμπί συντονισμού ραδιοσυχνότητας
15. Υποδοχή εισόδου AUX-IN
16. Υποδοχή ακουστικών
17. Υποδοχή USB
18. Υποδοχή καρτών SD / MMC
19. Κεραία FM
20. Πηγή τροφοδοσίας AC
21. Θήκη μπαταρίας
22. LED ON/OFF

Σύνδεση στην πηγή τροφοδοσίας

Τροφοδοσία AC: με χρήση του παρεχόμενου καλωδίου τροφοδοσίας συνδέστε την υποδοχή AC του οπίσθιου πάνελ της συσκευής και στη συνέχεια βάλτε το φις στην πρίζα τοίχου AC για να έχετε την πηγή τροφοδοσίας.

Τροφοδοσία DC (τροφοδοσία από μπαταρίες): ανοίξτε το κάλυμμα της θήκης για μπαταρίες και βάλτε 8 τεμάχια μπαταρίας τύπου UM1 / 1,5V (δεν περιλαμβάνονται στο σετ) σύμφωνα με το χαραγμένο θετικό και αρνητικό σύμβολο πόλωσης. Στη συνέχεια κλείστε το κάλυμμα της θήκης για μπαταρίες.

Μετά την επιτυχή σύνδεση τη τροφοδοσίας η οθόνη θα ενεργοποιηθεί. Πατήστε το κουμπί ενεργοποίησης τροφοδοσίας (power) / επιλογής πηγής ήχου (source) για να επιλέξετε την πηγή αναπαραγωγής, πατήστε και κρατήστε αυτό το κουμπί για 2 δευτερόλεπτα για να απενεργοποιήσετε (να μπει στον τρόπο λειτουργίας ετοιμότητας) τη συσκευή. Οι μπαταρίες θα αποσυνδεθούν αυτομάτως μόλις να λάβουν τροφοδοσία από το δίκτυο.

Παρατηρήσεις:

α. Ο ήχος θα παραμορφωθεί λόγω αποφόρτισης της μπαταρίας ή χαμηλού επιπέδου φόρτισής της, και τότε πρέπει να τις αντικαταστήσετε με τις καινούργιες. Πρέπει να διαθέτετε τις μπαταρίες με τον τρόπο φιλικό για το περιβάλλον, πρέπει να συμπεριφέρεστε με τις απαιτήσεις των τοπικών αρχών.

β. Δεν επιτρέπεται να εγκαταστήσετε μπαταρίες διαφορετικών κατασκευαστών με σκοπό να αποφύγετε διαρροή υγρού πρέπει να βγάλετε τις μπαταρίες σε περίπτωση που δεν χρησιμοποιήσετε τη συσκευή για πολλή ώρα.

Προγραμματισμός ρολογιού και συναγερμού

Προγραμματισμός ρολογιού: Πατήστε και κρατήστε το κουμπί τροφοδοσίας (power) / πηγής (source) για 2 δευτερόλεπτα για να περάσετε στον τρόπο λειτουργίας ετοιμότητας (standby), πατήστε και κρατήστε το κουμπί προγραμματισμού (program) / προγραμματισμού ρολογιού (clock set) για 2 δευτερόλεπτα, για να αρχίσετε τον προγραμματισμό, πατήστε το κουμπί προηγούμενο / επόμενο για να επιλέξετε τη μορφή ώρας - 12/24 ωρών, πατήστε ξανά το κουμπί προγραμματισμού (program) / προγραμματισμού ρολογιού (clock set) για να επιβεβαιώσετε την επιλογή, επαναλάβετε την προηγούμενη πράξη για να προγραμματίσετε τις ώρες και τα λεπτά.

Προγραμματισμός αφύπνισης: Στον τρόπο λειτουργίας αναμονής πατήστε και κρατήστε το κουμπί "TIMER" για 2 δευτερόλεπτα για να αρχίσετε να προγραμματίζετε το συναγερμό, στα ψηφία πάνω στη οθόνη θα αρχίσουν να αναβοσβήνουν. Πατήστε το κουμπί προηγούμενο (previous) / επόμενο (next) για να ρυθμίσετε την ώρα και πατήστε ξανά το κουμπί "TIMER" για να επιβεβαιώσετε την επιλογή. Επαναλάβετε την προηγούμενη πράξη για να προγραμματίσετε λεπτά / πηγή αφύπνισης (CD / USB / SD / BOMBHTHS / FM) / ένταση ήχου αφύπνισης κλπ.

α. Το ρολόι και η αφύπνιση λειτουργούν μόνο όταν είναι διαθέσιμη η πηγή τροφοδοσίας. Σε περίπτωση διακοπής παροχής της τροφοδοσίας, πρέπει να προγραμματίσετε ξανά το ρολόι και την αφύπνιση.

β. Το σύντομο πάτημα του κουμπιού "TIMER" στον τρόπο λειτουργίας αναμονής (standby) επιτρέπει την ενεργοποίηση ή την απενεργοποίηση της αφύπνισης.

γ. Όταν η αφύπνιση ενεργοποιηθεί, πατήστε για λίγο το κουμπί τροφοδοσίας (power) / πηγής (source) ή το κουμπί "TIMER" για να απενεργοποιήσετε τον ήχο της αφύπνισης και να το προγραμματίσετε τον τρόπο ξυπνήματος την επόμενη μέρα στην ίδια ώρα.

δ. Η διάρκεια αφύπνισης είναι 5 λεπτά, αν προγενέστερα δεν έχει ακυρωθεί.

ε. Αν ως πηγή συναγερμού επιλέχθηκε CD / USB / SD, πρέπει να βεβαιωθείτε ότι στη συσκευή είναι συνδεδεμένοι οι κατάλληλοι φορείς (δίσκος CD, κάρτα SD, μνήμη USB), σε αντίθετη περίπτωση θα ενεργοποιηθεί ο βομβητής.

Χειρισμός CD

Η συσκευή μπορεί να αναπαραγάγει δίσκους CD, εγγραφή σε μορφή CD / CD-R / CD-RW / MP3. Πριν να αρχίσετε την αναπαραγωγή ελέγξτε πρώτα τη μορφή του δίσκου CD και επιβεβαιωθείτε ότι ο δίσκος CD είναι καθαρός και δεν είναι καταστραμμένος.

Αναπαραγωγή του δίσκου CD: ανοίξτε τη θήκη του οδηγού CD και βάλτε τον δίσκο CD και στη συνέχεια κλείστε το κάλυμμα. Πατήστε μερικές φορές τον τρόπο τροφοδοσίας (power) / πηγής (source) για να περάσετε στον τρόπο λειτουργίας CD. Τότε η συσκευή θα αναγνωρίσει τον δίσκο CD και θα αναπαραί τον ήχο αυτόματα.

Στον τρόπο λειτουργίας αναπαραγωγής των δίσκων CD περιτρέψτε το κουμπί έντασης ήχου για να ρυθμίσετε την ένταση ήχου πατήστε το κουμπί αναπαραγωγής (Play) / παύσης (Pause) για να αναστείλετε ή να ανανεώσετε την αναπαραγωγή το κουμπί σταματήματος για να σταματήσετε αναπαραγωγή πατήστε για λίγο το κουμπί προηγούμενο (previous) / επόμενο (next), για να επιλέξετε το κομμάτι, πατήστε και κρατήστε το για να κυλίσετε το κομμάτι προς τα εμπρός και προς τα πίσω, πατήστε μερικές φορές το κουμπί επανάληψης (repeat) για να ενεργοποιήσετε την αναπαραγωγή ενός κομματιού / επανάληψη όλων των κομματιών ή να ενεργοποιήσετε την τυχαία αναπαραγωγή το σύντομο πάτημα του κουμπιού +10 προκαλεί μετάβαση αναπαραγωγής κατά επόμενα 10 κομμάτια πατήστε το κουμπί EQ για να επιλέξετε τον τρόπο λειτουργίας του διορθωτή ήχου.

Προγραμματισμός αναπαραγωγής (έως 20 κομμάτια στον δίσκο CD και 99 κομμάτια στον δίσκο MP3): πατήστε το κουμπί διακοπής πατήστε το κουμπί προγραμματισμού (program) για να αρχίσετε τον προγραμματισμό- στην οθόνη θα προβληθούν οι πληροφορίες "P01" και "PROG"- πατήστε το προηγούμενο (previous) / επόμενο (next) για να επιλέξετε το κομμάτι το οποίο θέλετε να προγραμματίσετε και στη συνέχεια πατήστε το κουμπί προγραμματισμού (program) για να επιβεβαιώσετε το κομμάτι- το κομμάτι θα καταγραφεί ως P01. Επαναλάβετε την ενέργεια εσωσώτου να θα προβληθεί στην οθόνη "FULL" και αυτό σημαίνει ότι η προγραμματισμένη μνήμη είναι πλήρης. Πατήστε το κουμπί αναπαραγωγής (Play), για να αναπαραγάγετε τα προγραμματισμένα κομμάτια- ανοίξτε το κάλυμμα του οδηγού CD ή πατήστε δύο φορές το κουμπί διακοπής για να ακυρώσετε και να αφαιρέσετε τις προγραμματισμένες ρυθμίσεις αναπαραγωγής.

Χειρισμός του ραδιοφώνου FM

Πριν να αρχίσετε να χειρίζεστε το ραδιόφωνο, πρέπει να επεκτείνετε πλήρως την κεραία FM και να δοκιμάσετε να τοποθετήσετε τη συσκευή δίπλα σε ένα παράθυρο με σκοπό να έχετε καλύτερη λήψη σήματος.

Σάρωση και αυτόματη σάρωση: πατήστε το κουμπί προηγούμενο (previous) / επόμενο (next) για 2 δευτερόλεπτα για να σαρώσετε αυτόματα τους διαθέσιμους σταθμούς προς τα πάνω και προς τα κάτω της ζώνης πατήστε το κουμπί σάρωσης (scan) για να σαρώσετε αυτόματα και να αποθηκεύσετε τους διαθέσιμους ραδιοφωνικούς σταθμούς (ο μέγιστος αριθμός των προγραμματισμένων σταθμών είναι 40). Πατήστε το κουμπί + 10 / αρχικές ρυθμίσεις (preset) για να επιλέξετε και να ενεργοποιήσετε τον προγραμματισμένο σταθμό.

Χειροκίνητος προγραμματισμός σταθμών: Μετά τον συντονισμό του ζητούμενου σταθμού με χρήση του κουμπιού συντονισμού ραδιοσυχνότητας ή το κουμπί σάρωσης (scan), πρώτα πατήστε το κουμπί προγραμματισμού (program) και στη συνέχεια περιτρέψτε το κουμπί συντονισμού ραδιοσυχνότητας για να επιλέξετε τον αριθμό της μνήμης από τον οποίο θέλετε να αποθηκεύσετε τον τρέχοντα σταθμό, πατήστε το κουμπί προγραμματισμού (program) για να επιβεβαιώσετε την επιλογή σας- επαναλάβετε την πράξη για να αποθηκεύσετε άλλους σταθμούς.

Στον τρόπο λειτουργίας ραδιοφώνου FM πατήστε το κουμπί stop / mono / stereo για να μεταφέρετε τον δέκτη στον τρόπο λειτουργίας mono, σε περίπτωση ακρόασης των σταθμών χαμηλότερου σήματος.

Αναπαραγωγή των σταθμών SD / USB

Πριν να αρχίσετε την αναπαραγωγή των καρτών SD / USB παρακαλούμε να αντιγράψετε τα αρχεία ήχου MP3 στον κατάλληλο φορέα (η μέγιστη χωρητικότητα των φερών έως 32 GB) και στη συνέχεια βάλτε το φορέα στην υποδοχή USB / SD.

Πατήστε πολλές φορές το κουμπί επιλογής πηγής ήχου (source) για να μπει στον τρόπο λειτουργίας USB / SD και στη συνέχεια η συσκευή αυτόματα θα αναγνωρίσει τα αρχεία ήχου και θα αναπαραγάγει τον ήχο μετά από κάποιο χρόνο.

Στον τρόπο λειτουργίας USB πατήστε το κουμπί αναπαραγωγής (Play) / παύσης (Pause) για να αναστείλετε ή να ανανεώσετε την αναπαραγωγή το κουμπί διακοπής για να σταματήσετε την αναπαραγωγή πατήστε για λίγο το κουμπί προηγούμενο (previous) / επόμενο (next), για να επιλέξετε το κομμάτι, πατήστε και κρατήστε το για να κυλίσετε το κομμάτι προς τα εμπρός και προς τα πίσω, πατήστε μερικές φορές το κουμπί επανάληψης (repeat) για να ενεργοποιήσετε την αναπαραγωγή ενός κομματιού / επανάληψη όλων των κομματιών ή να ενεργοποιήσετε την τυχαία αναπαραγωγή το σύντομο πάτημα του κουμπιού +10 προκαλεί μετάβαση αναπαραγωγής κατά επόμενα 10 κομμάτια πατήστε το κουμπί EQ για να επιλέξετε τον τρόπο λειτουργίας του διορθωτή ήχου.

Παρατήρηση:

- α. Δεν προτείνεται να χρησιμοποιήσετε επέκταση για σύνδεση της συσκευής USB γιατί μπορεί να προκαλέσει διαταραχές κατά την αναπαραγωγή.
- β. Δεν εγγυόμαστε ότι όλες οι συσκευές USB θα εξυπηρετηθούν, λόγω διαφορετικών κατασκευών και κατασκευαστών.
- γ. Δεν εγγυόμαστε ότι όλα τα αρχεία MP3 θα αναπαραχθούν σωστά.

Χειρισμός Bluetooth

Η συσκευή διαθέτει τη λειτουργία Bluetooth η οποία επιτρέπει ασύρματη αναπαραγωγή ήχου από άλλες συσκευές.

Συνδυασμός: Πατήστε μερικές φορές το κουμπί επιλογής πηγής ήχου (source) εσώτου στην οθόνη προβληθεί η προειδοποίηση "BT". Στη συνέχεια, ενεργοποιήστε τη λειτουργία Bluetooth της εξωτερικής συσκευής όπως για παράδειγμα έξυπνο τηλέφωνο κλπ. (Διαβάστε τις οδηγίες χρήσης της συγκεκριμένης συσκευής), ελέγξτε τον κατάλογο των διαθέσιμων συσκευών Bluetooth στη συσκευή και επιλέξτε "BP BB31LED". μετά από την κατάλληλη ζεύξη των συσκευών, θα ακούσετε το ακουστικό σήμα επιβεβαίωσης: στη συνέχεια επιλέξτε και αναπαραγάγετε μουσική από την εξωτερική συσκευή και ο ήχος θα αναπαραχθεί μέσα από τα ηχεία της παρούσας συσκευής αναπαραγωγής.

Στον τρόπο λειτουργίας Bluetooth πατήστε το κουμπί αναπαραγωγής (Play) / παύσης (Pause) για να σταματήσετε ή να ανανεώσετε την αναπαραγωγή· πατήστε το κουμπί προηγούμενο (previous) / επόμενο (next), για να επιλέξετε το κομμάτι· πατήστε το κουμπί συνδυασμού των συσκευών BT (pairing) για 2 δευτερόλεπτα για να αποσυνδέσετε τη ζεύξη με την τρέχουσα συσκευή, η συσκευή αναπαραγωγής θα είναι έτοιμη για τη ζεύξη με άλλες συσκευές με τη λειτουργία Bluetooth.

Παρατηρήσεις:

- α. Δεν εγγυόμαστε την κατάλληλη ζεύξη με όλες τις συσκευές Bluetooth λόγω διαφορετικών κατασκευών και κατασκευαστών.
- β. Η καλύτερη διάσταση λειτουργίας για την κατάλληλη λειτουργία Bluetooth είναι 10 μέτρα χωρίς εμπόδια.
- γ. Σε περίπτωση εισερχόμενη κλήσης, η αναπαραγωγή Bluetooth θα ανασταλθεί και θα ανανεωθεί αυτόματα μετά από το τέλος της τηλεφωνικής συνομιλίας.

Χειρισμός τρόπου λειτουργίας AUX IN / Γραμμικής εισόδου/ MP3 Link

Με χρήση του καλωδίου ήχου 3,5 mm συνδέστε την υποδοχή AUX-IN στο οπίσθιο πάνελ της συσκευής με την είσοδο του σήματος ήχου από την εξωτερική συσκευή αναπαραγωγής (π.χ. του αναπαραγωγέα MP3 κλπ.). Ενεργοποιήστε τη συσκευή ή πατήστε μερικές φορές το κουμπί επιλογής πηγής για να μπει στον τρόπο λειτουργίας AUX-IN· επιλέξτε και αναπαραγάγετε μουσική από την εξωτερική συσκευή αναπαραγωγής και ο ήχος θα αναπαραχθεί μέσα από τα ηχεία της παρούσας συσκευής. Πρέπει να δώσετε σημασία στο ότι ο ήχος έλεγχος γίνεται με χρήση του εξωτερικού αναπαραγωγέα και στην παρούσα συσκευή μπορεί να ρυθμίσετε το επίπεδο έντασης ήχου.

Έξοδος ακουστικών: στον τρόπο αναπαραγωγής (CD / USB / SD / AUX / Bluetooth / radio) συνδέστε τα ακουστικά στην υποδοχή ακουστικών του οπίσθιου πάνελ της συσκευής. Ο ήχος στα μεγάφωνα θα χαμηλώσει αυτόματα και θα είναι διαθέσιμοι στα ακουστικά.

Λειτουργίας κατάστασης νάρκης (SLEEP): Στον τρόπο λειτουργίας αναπαραγωγής πατήστε κάποιες φορές το κουμπί "TIMER" για να ενεργοποιήσετε τη λειτουργία κατάστασης νάρκης στο φάσμα: 10/20/30/40/50/60/70/80/90 λεπτά / απενεργοποίηση. Η συσκευή αυτόματα θα απενεργοποιηθεί μετά από την επιλεγμένη χρονική έκταση.

Ενεργοποίηση/απενεργοποίηση φωτισμού (LED)

Πατήστε και μετακινήστε τον διακόπτη ενεργοποίησης/απενεργοποίησης φωτισμού του οπίσθιου πάνελ με σκοπό να ενεργοποιήσετε ή να απενεργοποιήσετε τον φωτισμό LED· το σύντομο πάτημα του διακόπτη έντασης ήχου επιτρέπει την επιλογή του ρυθμίσεως και του τρόπου λειτουργίας του φωτισμού LED (διαθέσιμοι είναι 8 τρόποι λειτουργίας και δυνατότητα απενεργοποίησης).

Προδιαγραφές:

- Πηγή τροφοδοσίας: AC 100-230V ~ / 50Hz·
- Τροφοδοσία 12V DC (8 τεμ. x UM1, 1.5V, το σετ δεν περιλαμβάνει τις μπαταρίες)·
- Συχνότητα FM: 87,5 ~ 108,0 MHz·
- Εξυπηρετούμενοι δίσκοι: CD, CD-R, CD-RW, MP3-CD,
- Ισχύς εξόδου RMS: 2 x 6Watt·
- Παράμετροι της υποδοχής USB: 5V / 500mA (όχι για τροφοδότηση)·
- Συμβατότητα της υποδοχής USB: φορείς χωρητικότητας έως 32 GB, αρχείο ήχου MP3·
- Bluetooth: έκδοση EDR + 4.2· καλύτερη απόσταση λειτουργίας έως 10 μέτρα.
- Λήψη ισχύος: 14W
- Λήψη ισχύος στον τρόπο αναμονής: <1W
- (η παραπάνω προδιαγραφή μπορεί να μεταβληθεί χωρίς προγενέστερη κοινοποίηση)

HOIATUS



HOIATUS

ELEKTRILÖÖGIOHT
MITTE AVADA**Hoiatus:**

Elektrilöögi ohu vähendamiseks ei tohi seadme katet ega tagumist osa lahti monteerida. Seadmes ei ole kasutajapoolseks iseseisvaks parandamiseks ette nähtud elemente. Seadme hoolduse ja parandamisega tegelevad ainult teeninduse kvalifitseeritud töötajad.

Graafiliste sümbolite selgitus:

Välgunool e sümbol võrdkõlgses kolmnurgas hoiatab kasutajat seadme sees esinevast isoleerimata „ohtlikust pingest“, mis võib saavutada elektrilöögi ohuga ähvardava tugevuse.



Hüüumärk võrdkõlgses kolmnurgas hoiatab kasutajat sellest, et antud hetkel edastatakse seadmega kaasas olevas dokumendis seadme teenindust ja hooldust käsitlevat olulist teavet.

Enne seadme teenindamise alustamist palume käesolevat juhend, selle funktsioonidega tutvumiseks ja sihtotstarbeliseks kasutamiseks, läbi lugeda. See tagab seadme kauakestva, raketeta teeninduse ja kasutusrõõmu.

Ouline informatsioon.

- Teenindusjuhend ja ohutus käsitlev teave tuleb edaspidiseks kasutuseks säilitada.
- Ei tohi lasta tekkida olukorral, kui seadmele või selle sisemusse tilgub vesi.
- Samuti ei tohi seadet kasutada niisketes kohtades, nagu nt vannituba.
- Antud seadet ei tohi paigaldada järgnevatesse kohtadesse:
- Mis on avatud päikesekiirguse vahetule toimele või radiaatorite läheduses.
- Asetada muu, soojust eraldava, stereofoonilise varustuse peale.
- Blokeerides ventilatsiooni või tolmusesse kohta.
- Pidevale vibratsioonile allutatud kohtadesse.
- Kõrge niiskustasemega kohtadesse.
- Seadet ei tohi asetada küünalde või avatud tule lähedusse.
- Seadet võib kasutada ainult käesolevas juhendis kirjeldatud viisil.
- Enne toite esimest sisselülitamist tuleb veenduda, et toide oleks õigesti ühendatud.
- USB mälu ühendatakse vahetult või kuni 25 cm pikkuse USB pikendusjuhtmega.

Ohutuse seisukohalt ei tohi korpusi lahti võtta ega üritada seadme sisemusse tungida. Seadet võivad parandada ainult teeninduse kvalifitseeritud töötajad.

Seadet ei tohi lahti keerata ega selle korpusi avada, sest selles ei ole kasutaja poolt parandatavaid osi. Seadme hoolduse ja parandamisega tegelevad ainult teeninduse kvalifitseeritud töötajad.

OHUTUST KÄSITLEV OULINE TEAVE

1. Lugeda juhend läbi – enne seadme kasutamist alustamist tuleb kogu teenindusjuhend ja ohutus käsitlev teave läbi lugeda.
2. Säilitada juhend – kasutus- ja teenindusjuhend tuleb edaspidiseks kasutuseks säilitada.
3. Järgida hoiatusi – toimida kooskõlas kõikide seadmel paiknevate hoiatuste ja teenindusjuhendiga.
4. Järgida juhiseid – toimida kooskõlas teenindusjuhendi ja kasutajale mõeldud juhistega.
5. Paigaldus – paigaldada seade kooskõlas tootja juhistega.
6. Toiteallikad – seadme toiteks peab kasutama ainult toitekaabli märgistustel antud parameetritega allikaid. Juhul kui kasutaja ei ole kindel kodus oleva toite liigis, peab ta ühendust võtma seadme müüja või kohaliku elektrienenergia tarnijaga.
7. Toite maandus ja polaarsus – seade ei pea olema maandatud. Vältimaks tihvtide või klemmide paljastumist veenduda, et pistik oleks võrgupessa või pikendusese sisestatud lõpuni. Mõned seadme versioonid võivad olla varustatud vahelduvvoolu polaarse pistikuga (üks tihvt laiem). Selliseid pistikuid võib sisestada võrgupessa ainult ühel viisil. See on kaitsefunktsioon. Kui pistikut ei saa pesa sisestada tuleb proovida seda pöörata. Kui pistik ei sobi ka siis pesaga tuleb elektrikut tellida selle väljavahetamine. Polaarselt pistikut ei tohi kaitseid eemaldada. Kasutades muud pikendusjuhet või toitekaablit, kui seadmega koos tarnitavat, peavad neil olema asjakohased pistikute, võrgupesadele ja kohtadele, kus kaabel läbi veetakse.
8. Toitekaabli kaitse – toitekaabel tuleb vedada nii, et selle peal ei oleks võimalik kõndida, seda suruda või asetatud esemetega vigastada. Pöörata erilist tähelepanu pistikutele, võrgupesadele ja kohtadele, kus kaabel läbi veetakse.
9. Ülekormamine – seinakontakte, pikendusjuhtmeid ja vargapesasid ei tohi üle koormata, sest see ohustab tulekahju puhkemise või elektrilöögi.
10. Ventilatsioon – seadet tuleb korralikult ventileerida. Seadet ei tohi asetada voodile, diivanile või muudele sarnastele pindadele. Seadet ei tohi katta laulainade, salvrätikute, ajalehtede jms.
11. Soojus – mitte asetada seadet soojusallikate, nagu radiaatorid, kiirgurid, ahjud või muud soojust eritavad seadmed (ka võimendid), lähedale. Mitte asetada seadmele põlevaid künnlaid ja muid avatud tule allikaid.
12. Vesi ja niiskus – tulekahju või elektrilöögi ohu vähendamiseks ei tohi seadet vihma, vee ja niiskuse vahetule toimele, nagu nt saunas või vannitoas, allutada. Mitte kasutada käesolevat seadet vee, näiteks vanni, kraanikausi, köögivalamu või pesupali, läheduses, niiskes keldris või basseini juures (või sarnastes kohtades).
13. Esemed ja vedelikud seadmes – läbi seadme avade ei tohi sisse suruda mingeid esemeid, sest need võivad kokku puutuda ohtliku pinge punktidega, mis omakorda võib põhjustada tulekahju või elektrilöögi. Mitte mingil juhul ei tohi seadme pindadele mingeid vedelikke kallata. Seadmele ei tohi asetada vedelikke sisaldavaid esemeid.
14. Puhastamine – enne puhastamist tuleb seade alati võrgupesast lahti ühendada. Kõlari ümbruses võib tolmu eemaldada kuiva lapiga. Kasutades puhastamiseks aerosooli ei tohi pritsimisvoogu suunata vahetult seadmele vaid lapile. Tuleb jälgida, et ajamiüksused kahjustusi ei saaks.
15. Täiendav varustus – keelatud on kasutada tarvikuid, mis ei ole tootja poolt lubatud, sest võivad osutada ohuallikateks.

16. Tarvikud – seadet ei tohi asetada ebastabiilsele kärule, alusraamile, statiivile, tugialusele või lauale. Seade võib ümber kukkuda ja saada kahjustusi ning vigastada tõsiselt last või täiskasvanut. Kasutada ainult tootja poolt määratletud või koos seadmega müüdavaid käreid, alusraame, statiive, tugialuseid või laudu. Seadme paigaldust tuleb teostada kooskõlas tootja juhistega, kasutades tootja poolt soovitatud paigalduskomplekti.
17. Seadme teistsaldamine – kärule paigutatud seadet tuleb sõidutada väga ettevaatlikult. Äkiline pidurdamine, ülemäärane jõud või ebatasane pind võivad põhjustada käruga ja seadme ümberminekku.
18. Seadme mittekasutamise periood – toitekaabel tuleb äikesetormide ajal või kui seadet pikema aja jooksul ei kasutata võrgupesast lahti ühendada.
19. Teenindus – keelatud on seadme ülevaltust omakäeliselt läbi viia. Avatud katted võivad põhjustada kokkupuudet ohtliku pingega ja osutada ohtlikuks. Seadme hoolduse ja parandamisega tegelevad ainult teeninduse kvalifitseeritud töötajad.
20. Kui seadet ei kasutata, tuleb selle pistik võrgupesast lahti ühendada. Toiteallikaga ühendatuna on seade ooterežiimis ja ei ole täielikult välja lülitatud.
21. Varuosad – osade väljavahetamisel tuleb kontrollida kas teeninduse töötaja on kasutanud tootja poolt soovitatud varuosid või kas osad on originaalosadega identsed. Väljavahetamine kinnitamata osade vastu ohustab tulekahju puhkemise, elektrilöögi ja muude turvariskidega.
22. Peakaitsemed – seadme alalise tulekahjuvastaseks kaitseks tuleb kasutada õiget tüüpi ja asjakohaste parameetritega kaitsemeid. Antud pingela kaitsete parameetrid on märgitud seadmele.
23. Helitegevust ei tohi muusikapala valitse osa kuulamisel või audio sisendsignaali puudumisel tõsta. Vastasel juhul võib signaali äkiline tugevnemine kõlarit kahjustada.
24. Seadme toiteallikast täieliku lahtiühendamise ainsaks viisiks on toitekaabli toitespast või seadme eemaldamine. Võrgupesast või toitekaabli seadme sisend peavad toote kasutamise käigus alati juurdepääsetavad olema.
25. Seade tuleb paigutada võrgupesast või pikendusjuhtme lähedusse nii, et need oleks alati juurdepääsetavad.
26. Seadme keskkonna maksimaalne temperatuur võib olla kuni 35°C.
27. Elektrostaatilisest laadusest puudutavad juhised – kui seadme töö on häiritud elektrostaatilisest laadusest tuleb see välja lülitada ja seejärel uuesti sisse lülitada või teise kohta ümber tõsta.
28. Patareid
 - a. Patareisid ei tohi allutada ülemäärase soojuse, nagu nt päikesekiired, nulli jms, toimele.
 - b. Patareide utiliseerimisel tuleb pöörata tähelepanu keskkonnakaitse aspektidele.
- c. Patareide kasutamist puudutav hoiatus: patareidel ei tohi lasta kuluda kuni lekkimiseni, mis võib põhjustada kahvigestust ja seadme kahjustusi:
 - Patareide sisestamisel pöörata tähelepanu nende polaarusele (+ ja -).
 - Ei tohi kasutada samaaegselt erinevaid patareisid — vanu ja uusi, standardseid ja alkaalipatareisid, jne.
 - Kui seadet pikema aja jooksul ei kasutata, tuleb patareid välja võtta.

HOIATUS

Seadet ei tohi kasutada piiratud füüsiliste, sensoorsete ja psüühiliste võimetega või seadmea töötamise kogemusi või teadmisi mitte omavad inimesed (sealhulgas lapsed), kui nad ei viibi nende ohtuse eest vastutavate isikute järelevalve all või kui neid ei ole seadme ohutu kasutamise teemal instrueeritud. Kui seadet teenindavad lapsed, on nõutav täiskasvanute kohaolek; see võimaldab tagada seadme ohutu kasutuse.

1. Keelatud on töötavate seadet järelevalveta jätta! Kui seadet isegi lühikese aja jooksul ei kasutata, tuleb see välja lülitada.
2. Seadet ei tohi teenindada taimeriga välise kella vahendusel ega eraldi asetseva kaugjuhtimisega süsteemi abil.
3. Toitejuhtme kahjustuste korral ohtude vältimiseks peab väljavahetamist teostama tootja, autoriseeritud teeninduspunkt või muu, asjakohast kvalifikatsiooni omav isik.
4. Enne seadme teenindamise juurde asumist tuleb veenduda, et selle pinge vastab kohalikus toitevõrgus esinevale pingele.
5. Seadme ventilatsiooniväsiid ei tohi kinni katta, nt ajalehtede, laualina, kardinatega, jms. Tuleb veenduda, et seadme kohal on vähemalt 20 cm vaba ruumi ja sellel igal küljel — vähemalt 5 cm.
6. Ei tohi lasta tekkida olukorral kui seadmele või selle sisemusse tilgub või voolab vedelik ega tohi sellele asetada vedelikega täidetud esemeid, selliseid nagu vaasid.
7. Tulekahju või elektrilöögi vältimiseks tuleb seadet kaitsta kuumade kohtade, vihma, niiskuse ja tolmu toime eest.
8. Seadet ei tohi paigutada mingite veeallikate, nt kraanide, vannide, pesumasinate või ujumisbasseinide lähedusse. Seade tuleb asetada tasasele ja stabiilsele aluspinnale.
9. Seadet ei tohi allutada tugevate magnetväljade toimele.
10. Vahetult võimendile või vastuvõtjale seadet asetada ei tohi.
11. Seadet ei tohi viia niiskesse kohta, sest niiskusel on elektrilistele allüksustele kahjulik mõju.
12. Peale seadme külmast sooja või niiskesse kohta toomist võib mängija sees olevale läätsele tekkida niiskuse kondensatsioon. Sellises olukorras seade korralikult tööle ei hakka. Niiskuse aurumise võimaldamiseks tuleb sisselülitatud seade jätta umbes tunniks ajaks seisma.
13. Seadet ei tohi puhastada keemiliste lahustitega, sest need võivad kahjustada korpuse lakikihti. Seadet pühitakse puhta, kuiva või vähesel määral niisutatud lapiga.
14. Pistiku seinakontaktist eemaldamisel tuleb alati tõmmata pistikut, mitte aga toitekaablit.
15. Kui sisselülitatud seadet kasutatakse sisselülitatud teleri läheduses võib see osutada ekraanil joontena nähtavate häirete allikaks. Sõltub TV ülekande laineribast. See ei tähenda aga ei seadme ega teleri väärat töötamist. Selliste joontevahetuste tuleb seade telerist eemale nihutada.
16. Võrgupistikut kasutatakse toitepinge lahti ühendamiseks ja see peab alati juurdepääsetav olema.
17. CD plaatide esitamise laserpea puhtana hoidmiseks ei tohi seda puududa ja plaadisalv tuleb alati suletuna hoida.
18. Mängimise ajal pöörleb plaat suure kiirusega. Muusika esitamise ajal EI TOHI seadet tõsta ega liigutada, sest selline tegevus võib põhjustada plaadi või seadme kahjustusi.
19. Enne seadme teise kohta viimist või kolimise ajaks tuleb plaat välja võtta ja plaadisalv sulgeda. Seejärel tuleb välja lülitada toide ja ühendada lahti toitekaabel. Seadme teistsaldamine plaadiga salves võib põhjustada selle kahjustusi.
20. Peale plaadi mängimist tuleb see panna oma pakendisse. Plaat ei tohi jätta päikesekiirte ja soojusallikate vahetusesse mõjuvalda. Plaat ei tohi jätta lauspäikse alla pargitud autosse.

21. Ei tohi puutada plaatide etiketita pooli. Sõrmejälgede vältimiseks hoida plaati servast. Tolm, sõrmejäljed või kriimustused võivad põhjustada mängija väärat töötamist. Plaadile ei tohi kleepida silte või isekleepuvat teipi.
22. Plaadid puhastamiseks kasutatakse puhast, ebameid mitte jätvat lappi. Plaadid puhastamist alustatakse selle keskosast äärte suunas kulgevate sirgjooneliste liigutustega, kasutades selleks üldjuurdepääsetavaid vinüülplaatide puhastusvahendeid.
23. Võimalike kuulmiskahjustuste vältimiseks ei tohi muusikat pikemat aega valjult kuulata.



HOIATUS: KIIRGUSE ALLIKAS

CLASS 1 LASER PRODUCT
LUOKAN 1 LASERLAITE
KLASS 1 LASERAPPARAT

COMPACT
disc
DIGITAL AUDIO

ENNE TÖÖ ALUSTAMIST

Märkused: kompaktplaate puudutavad.

Kuna määratud, kahjustatud või deformeerunud plaadid võivad põhjustada seadme kahjustusi, tuleb tähelepanu pöörata järgnevale elementidele:

- Kasutamiskõlblikud kompaktplaadid. Kasutada võib ainult allpool märgitud plaate.
- CD plaadid ainult digitaalse audioheliga.

TÄHELEPANU



Deklaratsioon

Blaupunkt Competence Center 2N-Everpol Sp. z o.o. teavitab käesolevaga, et seade vastab direktiivi 2014/53 / EL nõuetele ja selle muudele asjakohastele sätetele. Täielik vastavusdeklaratsioon asub leheküljel www.blaupunkt.com toote järjehoidjas.

Vastutav ettevõtte: 2N-Everpol Sp. Z.O.O.

Puławska 403A, 02-801 Varssavi, Poola

Telefon: +48 22 331 99 59, e-mail: info@everpol.pl



Toode on toodetud kõrgkvaliteetsetest taastootmisesse suunatavatest ja taaskasutatavatest materjalidest ning allüksustest.



Seadmel paiknev läbitõmmatud prügi korvi sümbol tähendab, et toode on hõlmatud Euroopa direktiivi 2012/19/EU sätetega. Tutvuda kohaliku süsteemi elektriliste ja elektrooniliste jäätmete käitlemist puudutavate nõuetega. Toimida kooskõlas kehtivate eeskirjadega. Käesolevat toodet ei tohi ära visata koos tavaliste olmejäätmetega. Vana toote õige kõrvaldamine väldib potentsiaalseid looduskeskkonnale ja inimtervisele kahju tekitavaid tagajärgi.



Seade on varustatud Euroopa direktiiviga 2013/56/EU hõlmatud patareidega. Patareide äraviskamine koos kodumajapidamisjäätmetega on keelatud. Tutvuda patareide eraldiasetsevalt kogumist käsitlevate kohalike eeskirjadega, sest õige utiliseerimine väldib potentsiaalseid looduskeskkonnale ja inimtervisele kahju tekitavaid tagajärgi.

Looduskeskkonna kaitset käsitlev teave

Pakend sisaldab ainult vajalikke elemente. Tehtud on kõik endast olenev, et kolm koostismaterjali oleks hõlpsasti eraldatavad: papp (kast), polüütreenvah (seesmine kaitse) ja polüetüleen (kotid, kaitsepoogen). Toode on toodetud materjalidest, mida saab suunata taastootmisesse ja peale nende eriotstarbelise ettevõtte poolt demonteerimist, uuesti kasutada. Järgida pakendmaterjalide, patareide ja kasutatud seadmete utiliseerimist käsitlevaid kohalikke ettekirjutusi.

Materjalide salvestamiseks ja esitamiseks võib vaja minna nõusolekut. Tutvuge autoriõiguse ja esinejate/kunstnike õiguste seadusega.

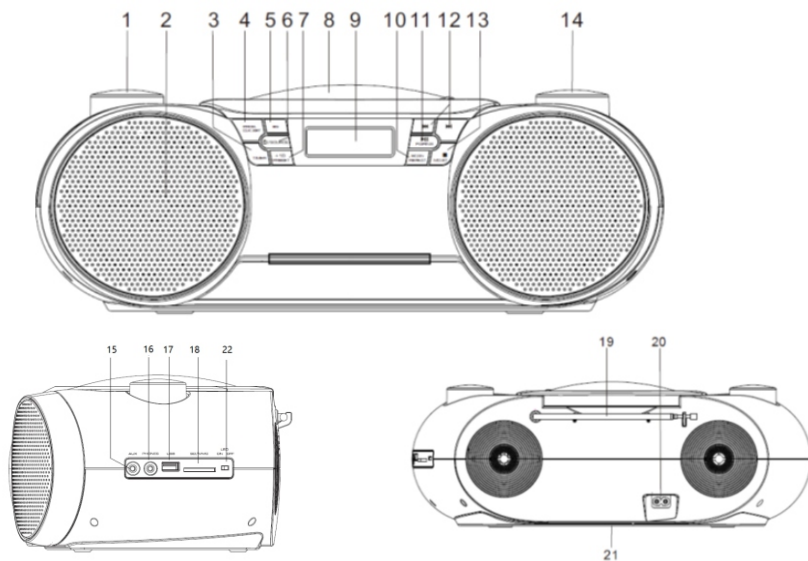
ERP2 (elektrienergiaga seotud seadmed) puudutav märkus

Käeolev ökoprojektiga seade vastab vastab ökoprojektide nõudeid käsitleva KOMISJONI (EÜ) MÄÄRUSE nr 1275/2008 kontori- ja kodukasutuseks mõeldud seadmete väljalülitatuna ja ooterežiimis energitarbimist puudutava direktiivi 2009/125/WE jõustava 2. etapi nõuetele.



Kaubamärgi ja logo Bluetooth® omanik on ettevõtte Bluetooth SIG, Inc. USA. Asjaomaste kaubamärkide ja logo kasutamine on litsentseeritud. Muud märgid ja kaubanimed kuuluvad asjakohastele omanikele.

Juhtelementide asetused



- | | |
|---|--|
| 1. Helitugevuse/LED reguleerimise pöördnupp | 2. Kõlar |
| 3. Taimer | 4. Programmeerimise (program)/ kella seadete (clock set) muutmise nupp |
| 5. EQ korrektori režiimide (normal / rock / pop / jazz / classic) valiku nupp | 7. + 10 / eelseaded (preset) |
| 6. Toite sisselülitamise (power) / heliallika (source) valiku nupp | 8. CD mängija kaas |
| 9. LCD kuvar | |
| 10. Skaneerimise (scan) / korduse (repeat) - ühe muusikapala / kõikide muusikapalade / juhuvalitud muusikapalade nupp | |
| 11. Esitamine (Play) / peatamine (Pause), seadmete paarimine BT (pairing) | |
| 12. Eelmise (previous) /järgmise (next) muusikapala muutmise nupp | |
| 13. Stopp / mono/stereo ümberlülituse nupp | 14. Raadiolainete häälestamise nupp |
| 15. Sisendpesa AUX-IN | 16. Peakomplekti pesa |
| 17. USB port | 18. SD / MMC kaartide pesa |
| 19. FM antenn | 20. AC toite pesa |
| 21. Patareikamber | 22. LED ON/OFF |

Toiteallika ühendamine

AC toide: toiteallika hankimiseks ühendage kaasasolev toitekaabel seadme tagaküljel paikneva vahelduvvoolu pesaga ja sisestage seejärel pistik vahelduvvoolu seinakontakti.

Alalisvoolu toide (akutoide): avage patareikambri kate ja sisestage kooskõlas graveeritud positiivse ja negatiivse polaaruse sümboliga 8tk UM1 / 1,5V tüüpi patareid (ei kuulu komplekti). Seejärel sulgege patareikambri kate.

Peale toite vaikimisi ühendamist käivitub kuvar. Heliallika valimiseks vajutage toite (power) / heliallika (source) valimise nuppu, seadme väljalülitamiseks (ooterežiimile minekuks) vajutage ja hoidke seda nuppu 2 sekundit. Patareid lülituvad peale võrgutoitele minekut automaatselt välja.

Märkused:

- Tühjade või madala laetuse tasemega patareide tõttu esineb helimoonutusi, siis tuleb patareid uute vastu välja vahetada. Patareid tuleb ladustada keskkonnasõbralikul viisil, järgida kohalike võimude nõudeid.
- Erinevate tootjate patareid paigaldada ei tohi; patarei vedeliku lekke vältimiseks tuleb seadme pikema aja jooksul mitte kasutamise korral patareid välja võtta.

Kella ja alarmi seadistamine

Kella seadistamine: ooterežiimi (standby) minekuks vajutage ja hoidke toite (power) / toiteallika (source) nuppu 2 sekundit ning vajutage ja hoidke all programmeerimise (program) / kella seadete (clock set) nuppu 2 sekundit, kella formaadi - 12/24 tundi valimiseks vajutage uuesti programmeerimise (program) / kella seadete (clock set) nuppu, tunni ja minutite valiku kinnitamiseks korra eelmist toimingut.

Alarmi seadistamine: Alarmi seadistamiseks alustamiseks vajutage ja hoidke ooterežiimis nuppu „TIMER“ 2 sekundit, numbrid hakkavad kuvaril vilkuma; Tunni seadistamiseks vajutage eelmise (previous) / järgmise (next) valiku nuppu ja vajutage valiku kinnitamiseks uuesti nuppu „TIMER“; minutite / alarmi allika (CD / USB / SD / BRZECZYK/ FM) / alarmi helitugevuse jne seadistamiseks korra eelmist toimingut

a. Kell ja alarm töötavad ainult saadavuse korral. Toitekatkestuse korral tuleb kell ja alarm uuesti seadistada.

b. Ooterežiimis (standby) lühike vajutus nupule „TIMER“ võimaldab alarmi sisse või välja lülitada.

c. Alarmi käivitumisel heli väljalülitamiseks ja selle järgmisel päeval samal ajal äratuse režiimi seadistamiseks vajutage lühidalt toite (power) / toiteallika (source) või „TIMER“ nuppu.

d. Alarm kõlab 5 minutit, kui see ei ole eelnevalt tühistatud.

e. Kui alarmi allikaks on valitud CD / USB / SD, tuleb veenduda, et seadmega on ühendatud asjakohased helikandjad (CD plaat, SD kaart, USB mälu), vastupidisel juhul käivitub helisignaali.

CD teenindamine

Seade võib esitada CD / CD-R / CD-RW / MP3 formaadis salvestatud CD plaate. Enne esitamise alustamist kontrollige CD plaadi formaati ja veenduge, et CD plaat on puhas ning kahjustamata.

CD plaadi esitamine: avage CD mängija kate, laadige CD plaat ja sulgege seejärel kate. CD režiimi üleminekuks vajutage toite (power) / toiteallika (source) nuppu; seejärel loeb seade CD plaadi ning käivitab heliesituse automaatselt.

Helitugevuse taseme reguleerimiseks pöörake CD plaadite esitamise režiimis helitugevuse pöördnuppu; heli taasesitamiseks / peatamiseks vajutage nuppu (Play) / (Pause); nuppu stopp heli esitamise peatamiseks; muusikapala valimiseks vajutage lühidalt eelmise (previous) / järgmise (next) valiku nuppu, muusikapala edasi- või tagasi kerimiseks, ühe muusikapala / kõikide muusikapalade kordamiseks või juhuvalimise käivitamiseks vajutage korduse nuppu (repeat); +10 lühike nupuvajutus tingib 10 järgneva muusikapala esituse; nupu EQ, vajutus annab heli korrigeerimise režiimi valiku.

Esituse programmeerimine (kuni 20 muusikapala CD plaadil ja 99 muusikapala MP3 plaadidel): vajutage stopp nuppu; vajutage programmeerimise alustamiseks programmeerimise (program) nuppu; kuvarile ilmub "P01" ja "PROG"; vajutage ümberlülitamiseks ja muusikapala, mida te programmeerida soovite, valimiseks eelmise või järgmise (previous) / (next), nuppu ja seejärel, muusikapala P01-na salvestamise kinnitamiseks programmeerimise (program) nuppu. Korra te toimingut kuni kuvarile ilmub "FUL", mis tähendab, et programmeeritav mälu on täis. Programmeeritud muusikapalade esitamiseks vajutage nuppu (Play), esituse programmeeritud seadete tühistamiseks avage CD mängija kate või vajutage kaks korda peatamise nuppu.

FM raadio teenindamine

Enne raadio teenindamise alustamist tuleb FM antenn täies pikkuses välja tõmmata ja proovida seade, parema vastuvõtu saavutamiseks, aknale lähemale asetada.

Skaneerimine ja automaatskaneerimine: järgnevate jaamade edasi- või tagasi automaatseks skaneerimiseks vajutage sagedusreale eelmise (previous) / järgmise (next) valiku nuppu 2 sekundi jooksul; saadaolevate jaamade automaatseks skaneerimiseks (scan) ja salvestamiseks vajutage skaneerimise nuppu (programmeerivate jaamade maksimaalne arv on 40). Programmeeritud jaama valimiseks ja käivitamiseks vajutage nuppu + 10 / eelseadistamine (preset).

Jaamade käsitsi programmeerimine: Peale häälestuse või skaneerimise (scan) nupu abil valitud jaama seadistamist vajutage kõigepealt programmeerimise (program) nuppu ja pöörake seejärel, mälu, mille all te jooksva jaama salvestada soovite, numbril valimiseks raadiolainete seadistuse pöördnuppu, vajutage valiku kinnitamiseks nuppu programmeerimine (program); korra teiste jaamade salvestamiseks toimingut.

FM raadio režiimis nõrga signaali korral vajutage vastuvõtja mono režiimi ümberlülitamiseks nuppu stop / mono/stereo.

SD / USB kaartide esitamine

Enne SD / USB kaartide esitamist palume MP3 audiofailid kopeerida asjakohasele andmekandjale (andmekandjate maksimaalne maht 32 GB) ja sisestada seejärel andmekandja USB / SD porti.

USB / SD režiimi sisenemiseks vajutage korduvalt heliallika (source) valimise nupule ja seade loeb ning esitab audiofailid teatud aja möödudes.

Mängimise peatamiseks või taasesituseks vajutage USB režiimis esitamise (Play) / peatamise (Pause) nuppu; nuppu stopp heli esitamise peatamiseks; muusikapala valimiseks vajutage lühidalt eelmise (previous) / järgmise (next) valiku nuppu, muusikapala edasi- või tagasi kerimiseks, ühe muusikapala / kõikide muusikapalade kordamiseks või juhuvalimise käivitamiseks vajutage korduse nuppu (repeat); +10 lühike nupuvajutus tingib 10 järgneva muusikapala esituse; nupu EQ, vajutus annab heli korrigeerimise režiimi valiku.

Märkus:

a. Pikendusuhtme kasutamine USB seadme ühendamiseks ei ole soovitatav, sest see võib esitamise ajal häireid põhjustada

b. Seoses erinevate konstruktsioonide ja tootjatega ei ole kõikide USB seadmete teenindamine tagatud.

c. Kõikide MP3 failide õigesti esitamine ei ole tagatud.

Bluetoothi teenindamine

Seadmel on Bluetooth funktsioon, mis võimaldab muudelt seadmetelt pärineva heli juhtmevaba esitust.

Paarimine: Vajutage heliallika (source) valimise nuppu kuni kuvarile ilmub teade "BT". Seejärel lülitage välisel seadmel, nagu näiteks nutitelefoni jms, sisse Bluetooth funktsioon (Tutvuge antud seadme teenindusjuhendiga), kontrollige seadmes saadaolevate Bluetooth seadmete loendit ja valige "BP BB31LED"; peale seadmete õiget paarimist kõlab kinnitamise heli; seejärel valige ja esitage väliselt seadmelt muusika ning heli esitatakse käesoleva mängija kõlarite abil.

Vajutage Bluetooth režiimis esituse peatamiseks ja taaskäivitamiseks nuppu(Play) / (Pause); vajutage muusikapala valimiseks nuppu eelmine või järgmine (previous) / (next); jooksva BT seadmega ühenduse (pairing) katkestamiseks vajutage paarimise nuppu 2 sekundi jooksul, mängija on seejärel valmis teiste Bluetooth funktsiooniga seadmetega ühendamiseks.

Märkused:

- a. Seoses erinevate konstruktsioonide ja tootjatega ei ole kõikide Bluetooth seadmetega korralikku paarimist võimalik tagada
- b. Funktsiooni Bluetooth õigeks toimimiseks parim töökaugus on tükete puudumisel 10 meetrit.
- c. Sissetuleva kõne korral peatatakse Bluetooth esitus ja käivitatakse automaatselt uuesti peale telefonikõne lõppemist.

Režiimi AUX IN / Liinisisend / MP3 Link teenindamine

Ühendage seadme tagapaneelil asuv pesa LINE IN audiojuhtme 3,5 mm abil välise seadme audio väljundsignaaliga (nt MP3 mängija jms). Režiimi LINE IN sisenemiseks lülitage seade sisse ja vajutage allika valiku (source) nuppu; Valige ja mängige väliselt seadmelt muusika ning heli esitatakse käesoleva seadme kõlarite abil. Tuleb pöörata tähelepanu sellele, et peajuhitime toimub välise mängija abil ja käesolevas seadmes võib reguleerida helitugevuse taset.

Kuularite väljund: kuularid ühendage heliesitamise režiimis (CD / USB / SD / AUX / Bluetooth / raadio), seadme tagapaneelil oleva kuularite pesaga. Kõlarite heli vaigistatakse automaatselt ja on suunatud kuularitesse

Ooterežiim (SLEEP): Vajutage ooterežiimi sisselülitamiseks esitamise režiimis ajavahemikus 10/20/30/40/50/60/70/80/90 minutit/ korduvalt nuppu „TIMER“. Seade lülitub valitud ajavahemiku möödudes automaatselt välja.

LED valgustuse sisse/välja lülitamine

LED valgustuse sisse või välja lülitamiseks vajutage ja nihutage seadme tagapaneelil paiknevat sisse/välja lülitamise nuppu; helitugevuse pöördnupu lähike vajutamine võimaldab valida LED valgustuse värvi ja režiimi (saadaval 8 režiimi ja väljalülitamise võimalus).

Spetsifikatsioon:

Toiteallikas: AC 100-230V ~ / 50Hz;
 Toide 12V DC (8tk x UM1, 1.5V, patarei ei kuulu komplekti);
 FM sagedused: 87,5 ~ 108,0 MHz;
 Teenindab plaate: CD, CD-R, CD-RW, MP3-CD,
 RMS väljundvõimsus: 2 x 6Watt;
 USB pordi parameetrid: 5V / 500mA (mitte laadimiseks);
 USB ühilduvus: andmekandjad mälumahuga kuni 32 GB, MP3 audiofail;
 Bluetooth: versioon EDR + 4.2; parim tööulatus kuni 10 meetrit.
 Võimsustarbimine: 14W
 Võimsustarbimine tööks valmisoleku režiimis: <1W
 (ülaltoodud spetsifikatsioon võib ilma eelneva hoiatamiseta muudatustele alluda)

Probleemide lahendamine

1. Seadet ei saa sisse lülitada.
 - a. Kontrollige, et DC toide oleks õigesti ühendatud.
 - b. Probleemide korral võtke ühendust teeninduskeskusega.
2. Raadiojaam kõlab halvasti.
 - a. Parema vastuvõtu saamiseks palume nihutada seade akna lähedusse või reguleerida antenni suunda.
 - b. Proovige lülitada ümber muule jaamale.
 - c. Probleemide korral võtke ühendust teeninduskeskusega.
3. Seade ei suuda CD plaati või USB mälu lugeda.
 - a. Palume kontrollida, kas CD plaat või audiofail on veatud.
 - b. Probleemide korral võtke ühendust teeninduskeskusega.
4. Bluetooth heli katkeb.
 - a. Proovige Bluetooth seade seadmele lähemale tõsta.
 - b. Palume Bluetooth funktsiooni välja lülitada ja paarida see uuesti.

SVARBIOS SAUGOS INSTRUKCIJOS

ELEKTROS SMŪGIO GRĖSMĖ
DRAUDŽIAMA ATIDARYTI**Išpėjimas:**

Kad sumažintumėte elektros smūgio riziką, draudžiama išmontuoti įrenginio dangtelį ar galinę dalį. Įrenginyje nėra komponentų skirtų vartotojui savarankiškai taisyti. Techninė priežiūra ir remontas aptarnaujami tik kvalifikuoto techninio personalo.

Grafinių simbolių paaiškinimas:

Zaibo simbolis užbaigtas rodykle lygiakraščiame trikampyje įspėja vartotoją apie neizoliuotą "pavojingą įtampą" esančią įrenginio korpusė, kuri gali pasiekti dydį sukeltą elektros smūgio pavojų.



Šauktuko ženklas lygiakraščiame trikampyje įspėja vartotoją, kad šiame punkte pateikiama svarbi informacija apie įrangos veikimą ir techninę priežiūrą dokumentuose pateikiamuose su įrenginiu.

Prašome perskaityti šias instrukcijas prieš pradėdant įrenginio naudojimą, kad susipažinti su jo funkcijomis ir naudoti jį taip, kaip numatyta. Tai užtikrins ilgalaikį įrenginio veikimą be gedimų ir jo naudojimo malonumą.

Svarbi informacija

- Privaloma išsaugoti šias naudojimo instrukcijas ir saugos informaciją būsimam naudojimui.
- Neleiskite skysčiams lašėti ar išsilieti ant įrenginio.
- Draudžiama taip pat naudoti jį drėgnose vietose, pvz. vonios kambarėje.
- Draudžiama įrengti šį įrenginį tokiose vietose:
- Vietos neapsaugotos nuo tiesioginių saulės spindulių ar šalia radiatorių.
- Dėti jį ant viršaus kitos stereofoninės įrangos, kuri išleidžia šilumą.
- Blokuojant ventiliaciją arba dulkėtoje vietoje.
- Vietose, kuriose vyksta nuolatinė vibracija.
- Vietose, kur yra didelė drėgmė.
- Draudžiama dėti įrenginį arti žvakių ar atviros liepsnos.
- Įrenginys gali būti naudojamas tik šiame vadove aprašytu būdu.
- Prieš jungdami maitinimą pirmą kartą, įsitikinkite, kad srovės adapteris yra tinkamai prijungtas.
- USB atmintinė jungiami tiesiogiai arba su USB pratęsimo laidu iki 25 cm ilgio.

Dėl saugumo priežasčių, draudžiamas gaubūtų išmontavimas bei įrenginio vidaus atskleidimas. Įrenginio remontas turėtų būti aptarnaujamas kvalifikuoto techninio personalo.

Draudžiama ardyti įrenginį bei atidarinėti jo korpusą, nes jo viduje nėra jokių dalių, kurias galėtų naudotojas pataisyti. Techninė priežiūra ir remontas aptarnaujami tik kvalifikuoto techninio personalo.

SAUGOS INSTRUKCIJOS

1. Perskaitykite instrukcijas – prieš naudodami įrenginį perskaitykite visą naudojimo instrukciją ir saugos informaciją.
2. Išsaugokite instrukcijas – privaloma išsaugoti naudojimo ir valdymo instrukcijas būsimam naudojimui.
3. Laikykitės išpėjimų – privaloma laikytis visų prietaiso išpėjimų pateiktų ant įrenginio ir vadovautis naudojimo instrukcijomis.
4. Laikykitės instrukcijų – privaloma vadovautis naudojimo instrukcijomis bei nurodymais vartotojų.
5. Diegimas – nustatykite įrenginį pagal gamintojo instrukcijas.
6. Maitinimo šaltiniai – įrenginys turi būti maitinamas tik iš šaltinių, kurių parametrai nurodyti maitinimo laido žymenyse. Jei vartotojas nėra tikras, kokios energijos tipą turi namuose, turėtų susisiekti su savo įrenginio platintoju arba vietiniu elektros energijos tiekėju.
7. Maitinimo šaltinio įžeminimas arba polarizacija – įrenginys neturi būti įžemintas. Privaloma įsitikinti, kad kištukas yra visiškai įdėtas į elektros tinklo lizdą arba pratęsimo laidą, kad išvengtų kaiščių ar kontaktų ekspozicijos. Kai kuriose įrenginio versijose gali būti polarizuotas kintamosios srovės maitinimo kaiščių (su vienu platesniu kaiščiu). Šis kištukas gali būti įjungtas į elektros tinklo lizdą tik vienu būdu. Tai apsaugos funkcija. Jei negalite įkišti kištuko į lizdą, pabandykite jį apsukti. Jei kištukas vis dar netelpa į lizdą, elektrikas turėtų jį pakeisti. Draudžiama nuimti apsaugos priemonės nuo polarizuoto kištuko. Jeigu naudojamas pratęsimo laidas ar maitinimo laidas kitokie nei pateikti kartu su įrenginiu, jie turėtų turėti tinkamus kištukus ir saugos sertifikatus reikalaujamus tam tikroje šalyje.
8. Maitinimo laido apsaugos priemonės – maitinimo kabeliai turi būti nuvesti taip, kad po juos negalėtų vaikščioti, jų prispausti ar prikirsti padėtais objektais. Atkreipkite ypatingą dėmesį į kištukus, maitinimo lizdus ir vietas, kuriose laidai išvesti iš įrenginio.
9. Perkrovimas – draudžiama perkrauti sieninius lizdus, pratęsimo lizdus ir elektros skirstytuvus, nes tai gali sukelti gaisrą arba elektros smūgį.
10. Vėdinimas – įrenginys turi būti tinkamai vėdinamas. Draudžiama dėti įrenginį ant lovos, sofos ar ant panašių paviršių. Draudžiama pridengti įrenginį staltiesėmis, servetėlėmis, laikraščiais ir pan.
11. Šiluma – nedėkite įrenginio arti šilumos šaltinių, tokių kaip šildytuvai, radiatoriai, krosnys ar kiti prietaisai (įskaitant stipriklus), kurie gamina šilumą. Nedėkite ant įrenginio uždegtų žvakių ar kitokių atviros ugnies šaltinių.
12. Vanduo ir drėgmė – norėdami sumažinti gaisro ar elektros smūgio pavojų, saugokite įrenginį nuo tiesioginio lietaus, vandens ir drėgmės poveikio, tokio kaip pvz. saunoje ar vonioje. Nenaudokite šio įrenginio šalia vandens, pavyzdžiui, prie vonios, kriauklės, virtuvės ar kubelio, šlapiame rūsyje arba prie baseino (ar panašiose vietose).
13. Objektai ir skysčiai įrenginyje – draudžiama kišti bet kokius daiktus per įrenginio angas, nes jie gali liestis su pavojingomis įtampomis taškais ir komponentais, dėl ko gali kilti gaisras arba įvykti elektros smūgis. Griežtai draudžiama išpilti bet kokius skysčius ant įrenginio paviršiaus. Draudžiama dėti ant įrenginio viršaus objektus, kuriuose yra skysčių.

14. Valymas – prieš valydamis visada išjunkite įrenginį iš elektros tinklo lizdo. Dulkes aplink garsiakalbį galima nuvalyti sausu skudurėliu. Jei valymui naudojamas aerosolis, nepatartina kreipti purškimo srauto tiesiai į prietaisą, bet ant skudurėlio. Būkite atsargūs, kad nesugadintumėte pavaro šaltinį.
15. Papildoma įranga – draudžiama naudoti priedus, kurie nėra patvirtinti gamintojo, nes jie gali kelti pavojų.
16. Priedai – draudžiama statyti įrenginį ant nestabilius vežimėlio, stovo, trikojo, atramos ar stalo. Prietaisas gali apsversti ir susigadinti, bei sunkiai sužeisti vaiką ar suaugusį asmenį. Privaloma naudoti tik gamintojo nurodytus vežimėlius, stovus, trikojus, atramas ar stalus arba paruošdamos kartu su įrenginiu. Įrenginio surinkimą privaloma atlikti pagal gamintojo instrukcijas naudodami gamintojo rekomenduojamą surinkimo komplektą.
17. Prietaiso perkėlimas – ant vežimėlio padėti įrenginį būtina stumti labai atsargiai. Staigus stabdymas, per didelė jėga arba netolygūs paviršiai gali sukelti vežimėlio išsivertimą kartu su įrenginiu.
18. Įrenginio nenaudojimo laikas – atjunkite maitinimo laidą nuo elektros lizdo audros su žaibais metu arba jeigu įrenginys nebus naudojamas ilgą laiką.
19. Techninis aptarnavimas – draudžiama savarankiškai bandyti asmeniškai naršyti įrenginį. Dangčio atidarymas gali sukelti kontaktą su pavojinga įtampa ir sukelti vartotojui kitus pavojus. Techninė priežiūra ir remontas aptarnaujami tik kvalifikuoto techninio personalo.
20. Kai įrenginys nenaudojamas, atjunkite jo maitinimo kištuką nuo elektros lizdo. Kai prietaisas prijungtas prie maitinimo šaltinio, jis veikia budėjimo režime ir nėra visiškai išjungtas.
21. Atsarginės dalys – keičiant dalis, įsitikinkite, kad techninės priežiūros darbuotojas panaudojo gamintojo rekomenduotas atsargines dalis arba kad dalys yra identiškos originalioms dalims. Nepatvirtintų dalių panaudojimas sukelia gaisro, elektros smūgio pavojų ar kitus pavojus.
22. Pagrindiniai saugikliai – kad prietaisas būtų nuolat apsaugotas nuo gaisro, naudokite tinkamo tipo ir parametrų saugiklius. Saugiklių parametrai tam tikrame įtampos diapazone yra pažymėti ant įrenginio.
23. Draudžiama didinti garsumą klausydami nedidelio garsumo kūrinių dalies arba nesant įvesties audio signalui. Kitaip garsiakalbis gali sugesti jei signalo stiprumas sparčiai padidėja.
24. Vienintelis būdas visiškai atjungti įrenginį nuo maitinimo šaltinio tai ištraukti maitinimo laidą iš elektros srovės lizdo arba įrenginio. Naudojant įrenginį, visada turi būti prieinamas elektros tinklo lizdas arba maitinimo laido įėjimas į įrenginį.
25. Įrenginys turi būti dedamas šalia maitinimo tinklo lizdo arba pratęsimo laido taip, kad jis visada būtų prieinamas.
26. Didžiausia įrenginio aplinkos temperatūra tai 35°C.
27. Patarimai dėl elektrostatinių iškrovų - jei prietaiso veiksmingumas yra veikiamas elektrostatinių iškrovimų, išjunkite jį ir vėl įjunkite arba perkelkite įrenginį į kitą vietą.
28. Baterija
 - a. Baterijos negali būti veikiamos per didelės temperatūros, pavyzdžiui, saulės spindulių, ugnies ir t.
 - b. Išmesdami baterijas, atkreipkite dėmesį į aplinkosaugos aspektus.
 - c. Įspėjimas dėl baterijų naudojimo: norėdami išvengti baterijų nutekėjimo, dėl kurio galite sužaloti savo kūną ar sugadinti įrenginį:
 - Įdėdami bateriją atkreipkite dėmesį į jos poliarizaciją (+ ir -).
 - Nenaudokite skirtingų baterijų tuo pačiu laiku - senų ir naujų, standartinių ir šarminių baterijų ir kt.
 - Ilgesnį laiką nesinaudojant įrenginiu, išimkite iš jo baterijas.

ĮSPĖJIMAS

Įrenginiu neturėtų naudotis asmenys (įskaitant vaikus), turintys mažesnes fizines, juslines ar psichines galimybes, ir asmenys, neturintys pakankamai žinių ir patirties, jei jie nėra prižiūrimi asmenų atsakingų už jų saugą, ir nebuvo jiems nurodyta, kaip saugiai naudoti įrenginį. Suaugusių asmenų buvimas reikalingas, jei vaikai naudoja prietaisą; tai užtikrins saugų įrenginio naudojimą.

1. Niekada nepalikite veikiančio įrenginio be priežiūros. Išjunkite prietaisą, kai jis nenaudojamas, net trumpą laiką.
2. Prietaiso negalima valdyti per išorinį laikrodį su sinchronizavimo grandinėmis arba per atskirą nuotolinio valdymo sistemą.
3. Norėdami išvengti pavojaus maitinimo laido sužalojimo atveju, jį pakeisti turėtų gamintojas, įgaliotas aptarnavimo centras ar kitas kvalifikuotas asmuo.
4. Prieš pradėdant įrenginio naudojimą patikrinkite, ar jo įtampa atitinka vietos maitinimo įtampą.
5. Draudžiama uždengti prietaiso ventiliacijos angas, pvz. laikraščiais, staltiese, užuolaidomis ir pan. Įsitikinkite, kad virš įrenginio yra ne mažiau kaip 20 cm laisvos vietos ir bent 5 cm iš kiekvienos jo pusės.
6. Neleiskite, kad ant įrenginio nutekėtų ar išsilietų skystis, be to, nedėkite ant jo pripildytų skysčiais objektų, tokių kaip vazos.
7. Norėdami išvengti gaisro ar elektros smūgio, apsaugokite prietaisą nuo karštų vietų, lietaus, drėgmės ir dulkių poveikio.
8. Draudžiama statyti įrenginį arti bet kokių vandens šaltinių, pvz. čiupų, vonių, skalbimo mašinų ar plaukiojimo baseinų. Įrenginį dėkite ant lygaus ir stabilaus paviršiaus.
9. Saugokite įrenginį nuo stipraus magnetinio lauko.
10. Draudžiama statyti įrenginį tiesiai ant stiptintuvo ar AV imtuvo.
11. Draudžiama statyti įrenginį drėgnoje vietoje, nes drėgmė neigiamai veikia elektrinius komponentus.
12. Kai įrenginys atnešamas iš šaltos į šiltą vietą arba į drėgną vietą, ant objektyvo, esančio grotuvo viduje, gali įvykti drėgmės kondensacija. Tokiu atveju įrenginys dirbs netinkamai. Palikite įrenginį maždaug vienai valandai, kad drėgmė išgaruotų.
13. Draudžiama valyti įrenginį cheminiais tirpikliais, nes jie gali pažeisti dengiamąjį laką. Prietaisą valykite švariu, sausu arba šiek tiek drėgnu skudurėliu.
14. Ištraukdami kištuką iš sieninio lizdo, visada traukite už kištuko, niekadus už maitinimo laido.
15. Jeigu įjungtas įrenginys naudojamas šalia įjungto televizoriaus, jis gali sukelti vaizdo iškraipymą linijos ekrane pavidalu. Tai priklauso nuo TV transliacijos bangų juostos. Tai nereiškia, kad įrenginys arba televizorius yra sutrikę. Jei matote tokias linijas, atitolinkite įrenginį nuo televizoriaus.
16. Maitinimo kištukas naudojamas maitinimo įtampos atjungimui ir visada turėtų būti prieinamas.
17. Nirendami skirtą kompaktinį diską skaityti lazerio galvutę išlaikyti švarioje, draudžiama ją liesti ir būtina visada uždarinėti diskų dėklą.
18. Atkarinėti metu, diskas sukasi dideliu greičiu. DRAUDŽIAMA kelti ir stumdyti įrenginį atkūrimo metu, nes tai gali sugadinti diską arba patį įrenginį.
19. Prieš perkeldami įrenginį į kitą vietą arba perkėlimo laikui, išimkite diską ir uždarykite diskų dėklą. Po to išjunkite maitinimą ir atjunkite maitinimo kabelį. Įrenginio perkėlimas su disku dėkle gali sugadinti įrenginį.

20. Atkūrus diską įdėkite jį į pakuotę. Saugokite diskus nuo tiesioginių saulės spindulių ir šilumos šaltinių poveikio. Draudžiama palikti diskus automobilio stoviniči saulėje viduje.

21. Draudžiama liesti disko pusę be etiketės. Laikykite diskus už kraštų, kad nepaliktų pirštų atspaudų. Dulkės, pirštų atspaudai ar įbrėžimai diskuose gali būti netinkamo grotovo veikimo priežastis. Draudžiama lipdyti lapelius ar lipniąją juostą ant disko.

22. Disko valymui naudokite švarią šluostę be pūkelių. Pradėkite valymą tiesioginiu judėsiu nuo disko centro ties jo krašto, naudojant įprastas valymo priemones arba antistatinės priemonės skirtas vinilinėms plokštelėms.

23. Noredami išvengti galimo klausos praradimo, ilgai neklusykite garsios muzikos.



ĮSPĖJIMAS: SPINDULIAVIMO ŠALTINIS

CLASS 1 LASER PRODUCT
LUOKAN 1 LASERLAITE
KLASS 1 LASERAPPARAT

COMPACT
disc
DIGITAL AUDIO

Ši etiketė reiškia, kad įrenginyje yra lazerio elementų. Atidarant CD plokštelės dėklo dangtelį ir aplenkiant apsauginį užraktą, vartotojui atsiras lazerio spinduliuavimas. Draudžiama žiūrėti į lazerio spindulį, kai įrenginys veikia.

PRIEŠ PRADEDANT DARBA

Pastabos: apie kompaktinius diskus.

Kadangi nešvarūs, pažeisti ar deformuoti diskai gali sugadinti įrenginį, atkreipkite dėmesį į šiuos elementus:

a. Kompaktiniai diskai, kuriuos galite naudoti. Gali būti naudojami tik žemiau nurodytus diskus.

b. CD diskai tiktai su skaitmeniniu audio garso įrašu.

DĖMESIO



Deklaracija

Šiuo Blaupunkt Competence Center 2N-Everpol Sp. z o.o. deklaruojama, kad šis įrenginys atitinka Direktyvos 2014/53 / ES reikalavimus ir kitas atitinkamas nuostatas. Visą atitiktą deklaraciją galite rasti interneto svetainėje www.blaupunkt.com gaminio skyriuje.

Atsakingas subjektas 2N-Everpol Sp. Z o.o.

Puławska 403A, 02-801 Warszawa, Polska

Telefonas: +48 22 331 99 59, e. paštas: info@everpol.pl



Produktas pagamintas iš aukštos kokybės medžiagų ir komponentų, kuriuos galima perdirbti ir pakartotinai naudoti.



Jei ant jūsų įrenginio randasi išbrauktas šiukšliadėžės žymeklis, tai reiškia, kad gaminį reglamentuoja Europos direktyvos 2012/19 / ES nuostatos. Privaloma susipažinti su vietos elektros ir elektroninių atliekų surinkimo sistemos reikalavimais. Privaloma laikytis vietinių taisyklių. Draudžiama išmesti šį įrenginį kartu su įprastomis buitinėmis atliekomis. Tinkamas senojo produkto pašalinimas užtikrins galimų neigiamų pasekmių aplinkai ir žmonių sveikatai prevenciją.



Šiame įrenginyje yra baterijos, kurioms taikoma Europos direktyva 2013/56/ES. Baterijas draudžiama išmesti kartu su buitinėmis atliekomis. Privaloma susipažinti su vietos atskirų medžiagų rinkimo reglamentus, nes dėl teisingo šalinimo bus išvengta galimų neigiamų pasekmių aplinkai ir žmonių sveikatai.

Informacija apie aplinkos apsaugą

Pakuotėje yra tik būtini elementai. Buvo imtasi visų pastangų, kad būtų galima lengvai atskirti tris pakuotės sudedamąsias dalis: kartoną (dėžę), polistirolo putplastį (apsauginę dangą) ir polietilena (krepšelį, apsauginis lakštas). Prietaisais pagamintas iš medžiagų, kurios gali būti perdirbamos ir pakartotinai panaudotos, kai jas išmontouoja specializuota įmonė. Privaloma laikytis vietinių pakavimo medžiagų, sunaudotų baterijų ir nereikalingų įrenginių šalinimo taisyklių. Medžiagų įrašymui ir atkūrimui gali reikėti sutikimo. Zr. autorių teisių ir atlikėjų/artistų teisių įstatymą.

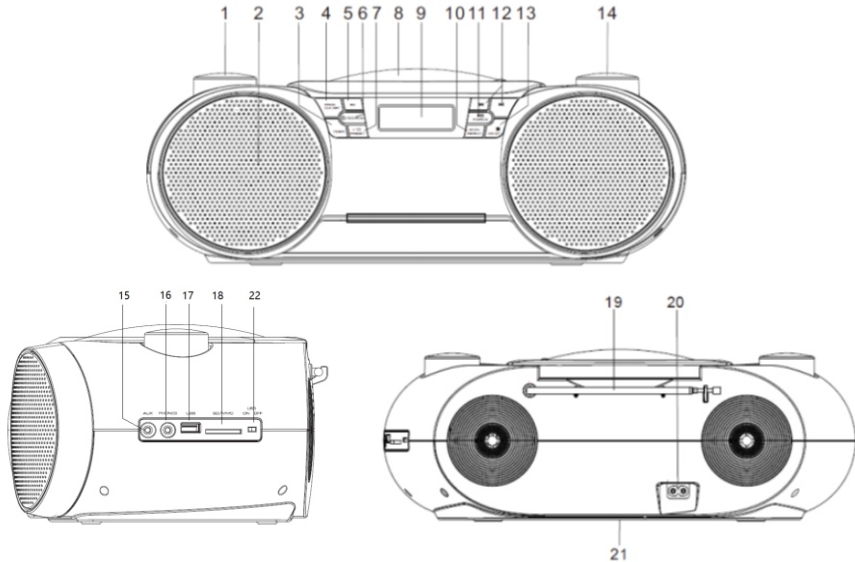
Pastaba apie ERP2 (su energija susijusią įrangą)

Šis ekologinio projektavimo įrenginys atitinka Komisijos reglamento (EB) Nr. 1275/2008, kuriuo įgyvendinama Direktyva 2009/125/EB dėl nenaudojamų ir budėjimo režimo elektroninių prietaisų energijos vartojimo biure ir buities reikmėms, 2 etapui.



Bluetooth® prekės ženklai ir logotipai priklauso įmonei Bluetooth SIG, Inc. JAV. Šių ženklų ir logotipų naudojimas pagal licenciją. Kiti prekių ženklai ir prekių pavadinimai priklauso atitinkamiems savininkams.

Valdymo elementų vieta



- | | |
|---|---|
| 1. Helitugevuse/LED reguleerimise pöördnupp | 2. Kõlar |
| 3. Taimer | 4. Programmeerimise (program)/ kella seadete (clock set) nupp |
| 5. EQ korrektori režiimide (normal / rock / pop / jazz / classic) muutmise nupp | 6. Toite sisselülitamise (power) / heliallika (source) valiku nupp |
| 7. + 10 / eelseaded (preset) | 8. CD mängija kaas |
| 9. LCD kuvar | 10. Skaneerimise (scan) / korduse (repeat) - ühe muusikapala / kõikide muusikapalade / juhuvalitud muusikapalade nupp |
| 11. Esitamine (Play) / peatamine (Pause), seadmete paarimine BT (pairing) | 12. Eelmise (previous) / järgmise (next) muusikapala muutmise nupp |
| 13. Stopp / mono/stereo ümberlülituse nupp | 14. Raadiolainete häälestamise nupp |
| 15. Sisendpesa AUX-IN | 16. Peakomplekti pesa |
| 17. USB port | 18. SD / MMC kaartide pesa |
| 19. FM antenn | 20. AC toite pesa |
| 21. Patareikamber | 22. LED ON/OFF |

Toiteallika ühendamine

AC toide: toiteallika hankimiseks ühendage kaasasolev toitekaabel seadme tagaküljel paikneva vahelduvvoolu pesaga ja sisestage seejärel pistik vahelduvvoolu seinakontakti.

Alalisvoolu toide (akutoide): avage patareikambri kate ja sisestage kooskõlas graveeritud positiivse ja negatiivse polaaruse sümboliga 8tk UM1 / 1,5V tüüpi patareid (ei kuulu komplekti). Seejärel sulgege patareikambri kate.

Peale toite vaikimisi ühendamist käivitub kuvar. Heliallika valimiseks vajutage toite (power) / heliallika (source) valimise nuppu, seadme väljalülitamiseks (ooterežiimile minekuks) vajutage ja hoidke seda nuppu 2 sekundit. Patareid lülituvad peale võrgutoitele minekut automaatselt välja.

Märkused:

a. Tühjade või madala laetuse tasemega patareide tõttu esineb helimoonutusi, siis tuleb patareid uute vastu välja vahetada. Patareid tuleb ladustada keskkonnasõbralikul viisil, järgida kohalike võimude nõudeid.

b. Erinevate tootjate patareid paigaldada ei tohi; patarei vedelikku lekke vältimiseks tuleb seadme pikema aja jooksul mitte kasutamise korral patareid välja võtta.

Kella ja alarmi seadistamine

Kella seadistamine: ooterežiimi (standby) minekuks vajutage ja hoidke toite (power) / toiteallika (source) nuppu 2 sekundit ning vajutage ja hoidke all programmeerimise (program) / kella seadete (clock set) nuppu 2 sekundit, kella formaadi - 12/24 tundi valimiseks vajutage uuesti programmeerimise (program) / kella seadete (clock set) nuppu, tunni ja minutite valiku kinnitamiseks korraldage eelmist toimingut.

Alarmi seadistamine: Alarmi seadistamise alustamiseks vajutage ja hoidke ooterežiimis nuppu „TIMER“ 2 sekundit, numbrid hakkavad kuvaril vilkuma; Tunni seadistamiseks vajutage eelmise (previous) / järgmise (next) valiku nuppu ja vajutage valiku kinnitamiseks uuesti nuppu „TIMER“; minutite / alarmi allika (CD / USB / SD / BRZECZYK/ FM) / alarmi helitugevuse jne seadistamiseks korra eelmist toimingut

a. Kell ja alarm töötavad ainult saadavuse korral. Toitekatkestuse korral tuleb kell ja alarm uuesti seadistada.

b. Ooterežiimis (standby) lühike vajutus nupule „TIMER“ võimaldab alarmi sisse või välja lülitada.

c. Alarmi käivitumisel heli väljalülitamiseks ja selle järgmisel päeval samal ajal äratuse režiimi seadistamiseks vajutage lühidalt toite (power) / toiteallika (source) või „TIMER“ nuppu.

d. Alarm kõlab 5 minutit, kui see ei ole eelnevalt tühistatud.

e. Kui alarmi allikaks on valitud CD / USB / SD, tuleb veenduda, et seadmega on ühendatud asjakohased helikandjad (CD plaat, SD kaart, USB mälu), vastupidisel juhul käivitub helisignaali.

CD teenindamine

Seade võib esitada CD / CD-R / CD-RW / MP3 formaadis salvestatud CD plaate. Enne esitamise alustamist kontrollige CD plaadi formaati ja veenduge, et CD plaat on puhas ning kahjustamata.

CD plaadi esitamine: avage CD mängija kate, laadige CD plaat ja sulgege seejärel kate. CD režiimi üleminekuks vajutage toite (power) / toiteallika (source) nuppu; seejärel loeb seade CD plaadi ning käivitab heliesituse automaatselt.

Helitugevuse taseme reguleerimiseks pöörake CD plaadite esitamise režiimis helitugevuse pöördnuppu; heli taasesitamiseks / peatamiseks vajutage nuppu (Play) / (Pause); nuppu stopp heli esitamise peatamiseks; muusikapala valimiseks vajutage lühidalt eelmise (previous) / järgmise (next) valiku nuppu, muusikapala edasi- või tagasi kerimiseks, ühe muusikapala / kõikide muusikapalade kordamiseks või juhuvalimise käivitamiseks vajutage korduse nuppu (repeat); +10 lühike nupuvajutus tingib 10 järgneva muusikapala esituse; nupu EQ, vajutus annab heli korrigeerimise režiimi valiku.

Esituse programmeerimine (kuni 20 muusikapala CD plaadil ja 99 muusikapala MP3 plaatidel): vajutage stopp nuppu; vajutage programmeerimise alustamiseks programmeerimise (program) nuppu; kuvarile ilmub "P01" ja "PROG"; vajutage ümberlülitamiseks ja muusikapala, mida te programmeerida soovite, valimiseks eelmise või järgmise (previous) / (next), nuppu ja seejärel, muusikapala P01-na salvestamise kinnitamiseks programmeerimise (program) nuppu. Korra toimingut kuni kuvarile ilmub "FUL", mis tähendab, et programmeeritav mälu on täis. Programmeeritud muusikapalade esitamiseks vajutage nuppu (Play), esituse programmeeritud seadete tühistamiseks avage CD mängija kate või vajutage kaks korda peatamise nuppu.

FM raadio teenindamine

Enne raadio teenindamise alustamist tuleb FM antenn täies pikkuses välja tõmmata ja proovida seade, parema vastuvõtu saavutamiseks, aknale lähemale asetada.

Skaneerimine ja automaatskaneerimine: järgnevate jaamade edasi- või tagasi automaatseks skaneerimiseks vajutage sagedusreala eelmise (previous) / järgmise (next) valiku nuppu 2 sekundit jooksul; saadaolevate jaamade automaatseks skaneerimiseks (scan) ja salvestamiseks vajutage skaneerimise nuppu (programmeeritavate jaamade maksimaalne arv on 40). Programmeeritud jaama valimiseks ja käivitamiseks vajutage nuppu + 10 / eelseadistamine (preset).

Jaamade käsitsi programmeerimine: Peale häälestuse või skaneerimise (scan) nupu abil valitud jaama seadistamist vajutage kõigepealt programmeerimise (program) nuppu ja pöörake seejärel, mälu, mille all te jooksva jaama salvestada soovite, numbril valimiseks raadiolainete seadistuse pöördnuppu, vajutage valiku kinnitamiseks nuppu programmeerimise (program); korra teiste jaamade salvestamiseks toimingut.

FM raadio režiimis nõrga signaali korral vajutage vastuvõtja mono režiimi ümberlülitamiseks nuppu stop / mono/stereo.

SD / USB kaartide esitamine

Enne SD / USB kaartide esitamist palume MP3 audiofailid kopeerida asjakohasele andmekandjale (andmekandjate maksimaalne maht 32 GB) ja sisestada seejärel andmekandja USB / SD porti.

USB / SD režiimi sisenemiseks vajutage korduvalt heliallika (source) valimise nupule ja seade loeb ning esitab audiofailid teatud aja möödudes.

Mängimise peatamiseks või taasesituseks vajutage USB režiimis esitamise (Play) / peatamise (Pause) nuppu; nuppu stopp heli esitamise peatamiseks; muusikapala valimiseks vajutage lühidalt eelmise (previous) / järgmise (next) valiku nuppu, muusikapala edasi- või tagasi kerimiseks, ühe muusikapala / kõikide muusikapalade kordamiseks või juhuvalimise käivitamiseks vajutage korduse nuppu (repeat); +10 lühike nupuvajutus tingib 10 järgneva muusikapala esituse; nupu EQ, vajutus annab heli korrigeerimise režiimi valiku.

Märkus:

a. Pikendusjuhtme kasutamine USB seadme ühendamiseks ei ole soovitatav, sest see võib esitamise ajal häireid põhjustada.

b. Seoses erinevate konstruktsioonide ja tootjatega ei ole kõikide USB seadmete teenindamine tagatud.

c. Kõikide MP3 failide õigesti esitamine ei ole tagatud.

Bluetoothi teenindamine

Seadmel on Bluetooth funktsioon, mis võimaldab muudelt seadmetelt pärineva heli juhtmevaba esitust.

Paarimine: Vajutage heliallika (source) valimise nuppu kuni kuvarile ilmub teade "BT". Seejärel lülitage välisel seadmel, nagu näiteks nutitelefon jms, sisse Bluetooth funktsioon (Tutvuge antud seadme teenindusjuhendiga), kontrollige seadmes saadaolevate Bluetooth seadmete loendit ja valige "BP BB31LED"; peale seadmete õiget paarmist kõlab kinnitamis heli; seejärel valige ja esitage välisel seadmel muusika ning heli esitatakse käesoleva mängija kõlarite abil.

Vajutage Bluetooth režiimis esituse peatamiseks ja taaskäivitamiseks nuppu (Play) / (Pause); vajutage muusikapala valimiseks nuppu eelmine või järgmine (previous) / (next); jooksva BT seadmega ühenduse (pairing) katkestamiseks vajutage paarmist nuppu 2 sekundit jooksul, mängija on seejärel valmis teiste Bluetooth funktsiooniga seadmetega ühendamiseks.

Märkused:

- a. Seoses erinevate konstruktsioonide ja tootjatega ei ole kõikide Bluetooth seadmetega korralikku paarimist võimalik tagada
- b. Funktsiooni Bluetooth õigeks toimimiseks parim töökaugus on võtete puudumisel 10 meetrit.
- c. Sissetuleva kõne korral peatatakse Bluetooth esitus ja käivitatakse automaatselt uuesti peale telefonikõne lõppemist.

Režiimi AUX IN / Liinisensid / MP3 Link teenindamine

Ühendage seadme tagapaneelil asuv pesa LINE IN audiojuhtme 3,5 mm abil välise seadme audio väljundsignaaliga (nt MP3 mängija jms). Režiimi LINE IN sisenemiseks lülitage seade sisse ja vajutage allika valiku (source) nuppu; Valige ja mängige väliselt seadmelt muusika ning heli esitatakse käesoleva seadme kõlarite abil. Tuleb pöörata tähelepanu sellele, et peajuhitime toimub välise mängija abil ja käesolevas seadmes võib reguleerida helitugevuse taset.

Kuularite väljund: kuularid ühendage heliesitamise režiimis (CD / USB / SD / AUX / Bluetooth / raadio), seadme tagapaneelil oleva kuularite pesaga. Kõlarite heli vaigistatakse automaatselt ja on suunatud kuularitesse

Ooterežiim (SLEEP): Vajutage ooterežiimi sisselülitamiseks esitamise režiimis ajavahemikus 10/20/30/40/50/60/70/80/90 minutit/ korduvalt nuppu „TIMER“. Seade lülitub valitud ajavahemiku möödudes automaatselt välja.

LED apšvietimo ijjungimas/išjungimas

Paspauskrite ir pastumkrite apšvietimo ijjungimo/išjungimo jungiklį galiniame prietaiso skydelyje, kad ijjungumėte ar išjungtumėte LED apšvietimą; trumpas garso reguliavimo mygtuko paspaudimas leidžia pasirinkti spalvų ir šviesos LED apšvietimo režimą (prieinami 8 režimai ir išjungimo galimybė).

Spetsifikatsioon:

Toiteallikas: AC 100-230V ~ / 50Hz;
Toide 12V DC (8tk x UM1, 1.5V, patareid ei kuulu komplekti);
FM sagedused: 87,5 ~ 108,0 MHz;
Teenindab plaate: CD, CD-R, CD-RW, MP3-CD,
RMS väljundvõimsus: 2 x 6Watt;
USB pordi parameetrid: 5V / 500mA (mitte laadimiseks);
USB ühilduvus: andmekandjad mälumahuga kuni 32 GB, MP3 audiofail;
Bluetooth: versioon EDR + 4.2; parim tööulatus kuni 10 meetrit.
Võimsustarbimine: 14W
Võimsustarbimine tööks valmisoleku režiimis: <1W
(ülaltoodud spetsifikatsioon võib ilma eelneva hoiatamiseta muudatustele alluda)

Probleemide lahendamine

1. Seadet ei saa sisse lülitada.
 - a. Kontrollige, et DC toide oleks õigesti ühendatud.
 - b. Probleemide korral võtke ühendust teeninduskeskusega.
2. Raadiojaam kõlab halvasti.
 - a. Parema vastuvõtu saamiseks palume nihutada seade akna lähedusse või reguleerida antenni suunda.
 - b. Proovige lülitada ümber muule jaamale.
 - c. Probleemide korral võtke ühendust teeninduskeskusega.
3. Seade ei suuda CD plaati või USB mälu lugeda.
 - a. Palume kontrollida, kas CD plaat või audiofail on veatud.
 - b. Probleemide korral võtke ühendust teeninduskeskusega.
4. Bluetooth heli katkeb.
 - a. Proovige Bluetooth seade seadmele lähemale tõsta.
 - b. Palume Bluetooth funktsiooni välja lülitada ja paarida see uuesti.

POMEMBNA POROČILA O VARNOSTI**Pozor:**

Da bi zmanjšali nevarnost električnega udara, ne razstavljajte pokrova in zadnjega dela naprave. Znotraj naprave ni elementov, ki bi jih lahko uporabnik samostojno popravil. Vzdrževalna dela in popravila lahko opravljajo le usposobljeni serviserji.

Razlaga grafičnih simbolov:

Simbol strele s puščico na koncu, v enakostraničnem trikotniku opozarja uporabnika na neizolirano »nevarno napetost« v ohišju naprave. Napetost lahko doseže vrednost, ki predstavlja tveganje električnega udara.



Klicaj v enakostraničnem trikotniku opozarja uporabnika na pomembne informacije o uporabi in vzdrževanju naprave, ki jih vsebuje dokumentacija, priložena napravi.

Prosimo, da pred uporabo naprave preberete ta navodila, da bi se seznanili s funkcijami naprave in jo uporabljali skladno z namenom. S tem lahko zagotovite dolgotrajno, nemoteno in prijetno uporabo naprave.

Pomembni podatki

- Shranite ta navodila za uporabo in poročila o varnosti, ker jih boste lahko potrebovali v prihodnosti.
- Ne dovolite, da se na napravo razlije oziroma nanjo kaplja tekočina.
- Naprave ne uporabljajte v vlažnih prostorih, kot je na primer kopalnica.
- Naprave ne smete namestiti na naslednji način:
- Naprava ne sme biti izpostavljena neposrednemu vplivu sončnih žarkov oz. se ne sme nahajati v bližini grelcev.
- Naprava se ne sme postaviti na drugo stereofonsko napravo, ki oddaja toploto.
- Naprava ne sme ovirati prezračevanja oz. se ne sme nahajati v zaprašenem prostoru.
- Naprava ne sme biti izpostavljena stalnim vibracijam.
- Naprava se ne sme nahajati v prostorih z visoko vlažnostjo.
- Naprava se ne sme nahajati v bližini sveč ali odprtega ognja.
- Napravo uporabljajte le na način, opisan v teh navodilih.
- Pred prvim vklopom napajanja se je treba prepričati, da je napajalnik pravilno prikljupljen.
- USB-spomin se priklopi neposredno oz. s pomočjo USB-podaljška dolžino do 25 cm.

Zaradi varnosti ni dovoljeno razstavljanje ohišja oz. pronicanje v notranjost naprave. Napravo lahko popravi le usposobljeno servisno osebje.

Ne razstavljajte in ne odpirajte ohišja naprave, kajti noter ni delov, ki bi jih lahko popravil uporabnik. Vzdrževalna dela in popravila lahko opravljajo le usposobljeni serviserji.

POROČILA O VARNOSTI

1. Preberite navodila za uporabo – pred uporabo naprave je treba prebrati vsa navodila za uporabo in poročila o varnosti.
2. Shranite navodila za uporabo – navodila za uporabo je treba shraniti za primer kasnejše uporabe.
3. Upošteвайте opozorila – ukrepajte skladno z vsemi opozorili, ki jih vidite na napravi ter z opozorili, omenjenimi v navodilih za uporabo.
4. Sledite navodilom – ukrepajte skladno z navodili za uporabo in navseti za uporabnika.
5. Namestitev – napravo postavite skladno s proizvajalčevimi navodili.
6. Viri napajanja – napravo napajajte izključno iz virov, ki odgovarjajo parametrom, navedenim na napajalnem kablu. Če niste prepričani, kakšno napajanje imate doma, obrnite se na prodajalca naprave oz. lokalnega dobavitelja električne energije.
7. Ozemljitev in polarizacija napajanja – napravo lahko uporabljate brez ozemljitve. Prepričajte se, da je vtič v celoti nameščen v omrežni vtičnici oz. podaljšku, tako da se stiki ne vidijo. Nekatere različice naprave so lahko opremljene s polariziranim vtičem za izmenični tok (en stik je debelejši). Takšen vtič lahko vklopite v omrežno vtičnico le na en način. To je zavarovalna funkcija. Če vtiča ne morete vklopiti v vtičnico, ga poskusite obrniti. Če se vtič še vedno ne ujema z vtičnico, naj vam jo električar zamenja. Zavarovanje iz polariziranega vtiča ne smete odstranjevati. Če uporabljate podaljšek ali napajalni kabel, ki nista priložena napravi, se prepričajte, da imata ustrezne vtiče in potrdilo o varnosti, ki se zahteva v določeni državi.
8. Zavarovanje napajalnega kabla – napajalni kabel je treba namestiti na način, ki omejuje nevarnost potepanja, pritiskanja oz. naključnega razrezanja. Bodite posebej pozorni na vtiče, omrežne vtičnice in mesta, kjer kabli izhajajo iz naprave.
9. Preobremenitev – preobremenitev zidnih vtičnic, podaljškov in električnih razdelilnikov ni dovoljena, saj lahko to privede do požara ali električnega udara.
10. Prezračevanje – napravo je treba pravilno prezračevati. Ne postavite je na posteljo, kavč ali podobne površine. Ne prekrivajte je s prti, robci, revijami idr.
11. Toplota – naprave ne postavite v bližino virov toplote, kot so grelci, sevalniki, peči in druge naprave (tudi ojačevalniki), ki oddajajo toploto. Na napravo ne postavite gorečih svečk in drugih virov odprtega ognja.
12. Voda in vlaga – da bi zmanjšali tveganje požara ali električnega udara, naprave ne izpostavite neposrednemu vplivu dežja, vode in vlage, na primer ne postavite je v savni ali kopalnici. Te naprave ne smete uporabljati v bližini vode, na primer zavrni kadi, umivalnika, korita oz. škafo, v vlažni kleti oz. v bližini bazena (in podobnih mest).
13. Predmeti in tekočine v napravi – skozi odprtine v napravi ne potiskajte nobenih predmetov, saj se tisti predmeti lahko dotaknejo točk z nevarno napetostjo in s komponentami, kar lahko privede do požara oz. električnega udara. Nikakor ne razlize nobenih tekočin na površino naprave. Na napravo ne smete postaviti predmetov, ki vsebujejo tekočine.

14. Čiščenje – preden začnete s čiščenjem, napravo vedno odklopite iz omrežne vtičnice. Prah, ki je okoli zvočnika, lahko obrišete s suho krpo. Če za čiščenje uporabljate aerosol, razpršilo usmerite na krpo, ne pa neposredno na napravo. Pazite, da se ne poškodujejo pogonske enote.
15. Dodatna oprema – ne uporabljate pripomočkov, ki jih proizvajalec ne potrdi, ker lahko predstavljajo nevarnost.
16. Pripomočki – naprave ne postavite na nestabilen voziček, stojalo, stativo, konzolo ali mizo. Naprava se lahko prevrne in poškoduje, lahko tudi hudo poškoduje otroka ali odraslo osebo. Uporabite le vozičke, stojala, stative, konzole in mize, ki jih priporoča proizvajalec oz. ki se prodajajo skupaj z napravo. Namestitvev naprave mora potekati skladno z navodili proizvajalca, ob uporabi montažnega seta, ki ga priporoča proizvajalec.
17. Prestavljanje naprave – napravo postavite na voziček in zelo previdno prestavite. Nenadna ustavitve vozička, prevelika moč oz. neravne površine lahko pripeljejo do prevrnitve vozička z napravo.
18. Obdobje mirovanja naprave – napajalni kabel je treba odklopiti iz omrežne vtičnice v primeru neviht s strelami oz. ko naprave ne boste dlje časa uporabljali.
19. Servisiranje - naprave ne smete servisirati samostojno. Po odpiranju ohišja je uporabnik izpostavljen visoki napetosti in drugi nevarnosti. Vzdrževalna dela in popravila lahko opravljajo le usposobljeni serviserji.
20. Ko naprave ne uporabljate, odklopite njen vtič iz omrežne vtičnice. Ko je naprava priključena na vir napajanja, ni nikoli popolnoma izklopljena, vendar je v stanju pripravljenosti.
21. Nadomestni deli – ob zamenjavi delov je treba preveriti, ali je serviser uporabil nadomestne dele proizvajalca oz. ali nadomestni deli ustrezajo originalnim delom. Uporaba nepotrjenih delov lahko privede do požara, električnega udara oz. drugih nevarnih razmer.
22. Glavne varovalke – da bi napravo trajno zavarovali pred požarom, uporabite varovalke ustrezne vrste in parametrov. Parametri varovalk glede napetosti so označeni na napravi.
23. Ne povečajte glasnosti ob poslušanju tihega posnetka oz. ko ni vhodnega zvočnega signala. Z nenadnim povečanjem intenzitete signala lahko poškodujete zvočnik.
24. Edini način popolnega odklopa naprave iz vira napajanja je odklop napajalnega kabla iz omrežne vtičnice oz. iz naprave. Omrežna vtičnica oz. vhod za napajalni kabel morata biti vedno dostopna med uporabo naprave.
25. Napravo je treba postaviti v bližini omrežne vtičnice oz. podaljška, na tak način, da je vtičnica vedno dostopna.
26. Maksimalna temperatura v prostoru, kje je naprava, je 35 °C.
27. Nasveti glede električnih razelektritev – če delovanje naprave motijo električne razelektritve, je treba napravo izklopiti in ponovno vklopiti oz. jo prestaviti na drugo mesto.
28. Baterija
 - a. Baterije ne smejo biti izpostavljene vplivu prekomerne toplote, npr. sončnih žarkov, ognja idr.
 - b. Pri odstranjevanju baterij je treba biti posebno pozoren na okoljevarstvena vprašanja.
 - c. Opozorilo glede uporabe baterije: da se prepreči puščanje baterije, ki lahko privede do poškodb telesa oz. naprave:
 - Ob namestitvi baterij pazite na polarizacijo (+ in -).
 - Skupaj ne smete uporabljati novih in starih baterij, standardnih in alkalnih idr.
 - Če naprave več časa ne uporabljate, odstranite baterije.

OPOZORILO

- Naprave ne smejo uporabljati osebe (vključno z otroki) z zmanjšano fizično, senzorično ali mentalno sposobnostjo ali brez izkušenj oz. znanja, razen če so pod nadzorom osebe, ki je odgovorna za njihovo varnost, oz. če so se poučile z navodili o varni uporabi naprave. Prisotnost odraslih je obvezna, če napravo uporabljajo otroci. S tem se lahko zagotovi varna uporaba naprave.
1. Vključene naprave ne smete pustiti brez nadzora! Napravo izklopite, tudi če naprava le nekaj časa počiva.
 2. Naprave ne smete uporabljati preko zunanje ure s časovnim sistemom oz. preko ločenega sistema z daljinskimi upravljanjem.
 3. Da bi se izognili nevarnosti v primeru poškodovanja napajalnega kabla, zamenjave lahko opravi le proizvajalec, pooblaščen servisno podjetje oz. ustrezno usposobljen strokovnjak.
 4. Pred začetkom uporabe naprave je treba preveriti, ali napetost naprave ustreza napetosti lokalnega električnega omrežja.
 5. Prezačevalnih odprtin ne prekrivajte, npr. z revijami, prti, zavesami idr. Prepričajte se, da je nad napravo ohranjenega najmanj 20 cm prostega prostora, na straneh pa vsaj 5 cm.
 6. Ne dovolite, da na napravo kaplja oz. da se nanjo razlije tekočina, na napravo ne postavite predmetov s tekočino, npr. vaz.
 7. Da se prepreči nastajanje požara ali nevarnost električnega udara, napravo zaščitite pred vročino, vplivom dežja, vlage in praha.
 8. Naprave ne postavite v bližini katerih koli virov vode, npr. umivalnikov, kadi, pralnih strojev oz. bazenov. Napravo postavite na ravno in stabilno podlago.
 9. Naprave ne izpostavite močnemu magnetnemu polju.
 10. Naprave ne postavite neposredno na ojačevalnik ali sprejemnik.
 11. Naprave ne postavite na vlažno mesto, ker ima vlaga negativni vpliv na električne komponente.
 12. Ko napravo prestavite iz hladnega prostora v tople oz. vlažen prostor, lahko pride do kondenzacije vlage na leči znotraj predvajalnika. To lahko povzroči nepravilno delovanje naprave. Napravo pustite vklopljeno vsaj na eno uro, da vlaga izpari.
 13. Naprave ne čistite s kemijskimi topili, ker se lahko na ta način poškoduje lakirana površina ohišja. Napravo obrišite s čisto, suho oz. rahlo navlaženo krpicco.
 14. Med odklopom vtiča iz omrežne vtičnice je treba vedno vleči za vtič, nikoli za napajalni kabel.
 15. Ko se vklopljena naprava uporablja v bližini vklopljenega TV-ja, lahko pride do motenj slike v obliki črt na zaslonu. To je odvisno od valov TV-prenosa. To ne pomeni, da naprava oz. TV ne delujeta pravilno. Če se vidijo črte, premaknite napravo stran od TV-ja.
 16. Omrežni vtič se uporablja za odklop napajanja in zato mora biti vedno dostopen.
 17. Da bi laserska glavnica za odčitavanje CD-zgoščenk ostala čista, se je ne dotikajte in vedno zapirajte prostor za CD-je.
 18. Med predvajanjem se zgoščenka vrti z veliko hitrostjo. Naprave med predvajanjem NE SMETE dvigati oz. premikati, saj lahko na ta način poškodujete zgoščenko oz. napravo.
 19. Preden napravo prestavite na drugo mesto, odstranite zgoščenko in zaprite prostor za CD-je. Nato izklopite napajanje in odklopite napajalni kabel. Prestavljanje naprave z vstavljenjo zgoščenko je lahko razlog za poškodovanje naprave.
 20. Po predvajanju zgoščenko pospravite v škatlo. Zgoščenk ne izpostavite neposrednemu vplivu sončnih žarkov ter virov toplote in jih ne pustite v vozilu, ki je parkirano na soncu.
 21. Ne dotikajte se strani zgoščenke, na kateri ni etikete. Zgoščenko primite za robove, da ne pustite prstnih odtisov. Prah, prstni odtisi oz. praske so lahko razlog za nepravilno delovanje predvajalnika. Na zgoščenko ne prilepite kartic ali samolepljene traka.

22. Za čiščenje zgoščen uporabite čisto krpo, ki ne pušča kosmičev. Čiščenje začnite od sredine zgoščenke proti robu, za to uporabite splošno dostopna čistilna sredstva oz. antistatična sredstva za vinilne plošče.
23. Da bi preprečili nevarnost izgube sluha, glasne glasbe ne poslušajte dlje časa.



OPOZORILO: VIR SEVANJA

CLASS 1 LASER PRODUCT
LUOKAN 1 LASERLAITE
KLASS 1 LASERAPPARAT

COMPACT
disc
DIGITAL AUDIO

PRED ZAČETKOM DELA

Opombe: glede zgoščenk.

Ker so lahko umazane, poškodovane oz. izkrivljene zgoščenke razlog za poškodovanje naprave, treba je biti posebno pozoren na:

- a. Zgoščenke, ki se lahko uporabijo. Lahko uporabite le spodaj navedene zgoščenke.
- b. CD-zgoščenke le z digitalnim zvočnim signalom.

POZOR



Izjava

S tem Blaupunkt Competence Center 2N-Everpol Sp. z o.o. izjavlja, da je ta naprava v skladu z zahtevami in drugimi ustreznimi določili uredbe 2014/53/EU. Celotno izjavo o skladnosti si lahko ogledate na spletni strani www.blaupunkt.com v zavihku izdelka.

Odgovorni subjekt: 2N-Everpol Sp. Z o.o.

Puławska 403A, 02-801 Warszawa, Polska

Telefon: +48 22 331 99 59, e-naslov: info@everpol.pl



Naprava je izdelana iz visokokakovostnih materialov ter komponent, ki se lahko reciklirajo in ponovno uporabijo.



Če je na napravi oznaka prekrizan zabojnik za odpadke, to pomeni, da za izdelek veljajo določila evropske smernice 2012/19/EU. Seznaniti se je treba z lokalnimi zahtevami za zbiranje električnih ter elektronskih odpadkov. Ukrepati je treba v skladu z lokalnimi predpisi. Izdelek se ne sme odstranjevati skupaj z navadnimi odpadki. Ustrezno odstranjevanje starega izdelka pomaga izključiti morebitne negativne učinke na okolje in človekovo zdravje.



Naprava je opremljena z baterijo, ki jo določa evropska smernica 2013/56/EU. Baterija se ne sme odstranjevati skupaj z gospodinjstvi odpadki. Treba se je seznaniti z lokalnimi predpisi za ločeno zbiranje odpadnih baterij, ker le ustrezna odstranitev preprečuje morebitne negativne učinke za okolje in človekovo zdravje.

Podatki za varovanje okolja

Komplet vsebuje samo potrebne elemente. Prizadevali smo si, da bodo vsi trije elementi embalaže lahko odstranljivi: karton (škatla), polistirenska pena (zunanja zaščita) in polietilen (vreče, zaščitna plast). Naprava je izvedena iz materialov, ki se lahko reciklirajo, ter jih lahko po demontaži s strani strokovnega podjetja ponovno uporabljamo. Upoštevati je treba lokalne predpise za odstranjevanje embalaž, porabljenih baterij ter nepotrebnih naprav.

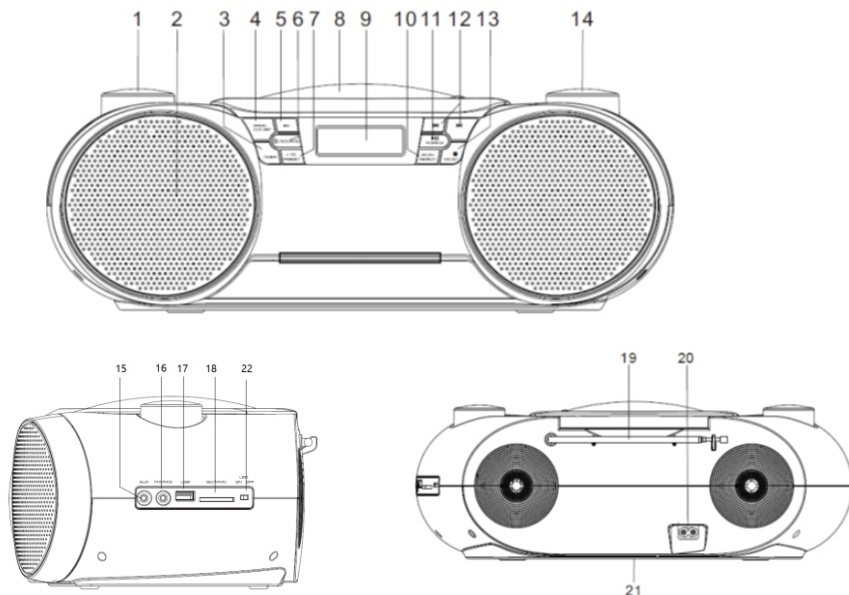
Za zapisovanje in predvajanje je treba obvezno pridobiti soglasje. Glej Zakon o avtorskih pravicah in pravicah izvajalcev/umetnikov.

Opomba glede ERP2 (naprav, povezanih z energijo)

Ta naprava z ekonačrtom izpolnjuje zahteve 2. etape Uredbe Komisije (ES) št. 1275/2008 o izvajanju Uredbe 2009/125/ES glede porabe energije o vzpostavitvi okvira za določanje zahtev za primerno okoljsko zasnovo izdelkov, povezanih z energijo.



Podjetje Bluetooth SIG, Inc. USA je lastnik blagovnih znamk in logotipa Bluetooth®. Za uporabo teh znamk in logotipa se zahteva licenca. Druge znamke in trgovska imena so v lasti ustreznih lastnikov.

Razporeditev upravljalnih elementov


- | | |
|--|----------------------------|
| 1. Gumb za regulacijo glasnosti/LED | 2. Zvočnik |
| 3. Programska ura | |
| 4. Tipka za programiranje (»program«)/nastavljanje ure (»clock set«) | |
| 5. Tipka za spremembo načinov izenačevalnika EQ (»normal/rock/pop/jazz/classic«) | |
| 6. Tipka za vklop napajanja (»power«)/izbiro vira zvoka (»source«) | |
| 7. +10/začetne nastavitve (»preset«) | 8. Pokrov CD-pogona |
| 9. LCD-zaslon | |
| 10. Tipka za skeniranje (»scan«)/ponavljanje (»repeat«) – ponavljane enega posnetka/ponavljanje vseh posnetkov/naključno predvajanje posnetkov | |
| 11. Predvajanje (»play«)/ustavitev (»pause«), tipka za povezovanje naprav BT (»pairing«) | |
| 12. Tipka za spremembo posnetka prejšnji (»previous«)/naslednji (»next«) | |
| 13. Tipka stop/preklop med načini mono/stereo | |
| 14. Gumb za uglaševanje radijskih valov | 15. Vhodna vtičnica AUX-IN |
| 16. Vtičnica za slušalke | 17. Vtičnica za USB |
| 18. Vtičnica za SD-/MMC-kartice | 19. Antena FM |
| 20. Napajalna vtičnica AC | 21. Komora baterije |
| 22. LED ON/OFF | |

Priklon vira napajanja

AC-napajanje: s pomočjo priloženega napajalnega kabla priklopite vtičnico AC, ki se nahaja na zadnjem panelu naprave, nato vtaknite vtič v stensko AC-vtičnico, da bi zagotovili vir napajanja.

DC-napajanje (napajanje z baterijami): odprite pokrov komore za baterije in namestite 8 baterij UM 1 /1,5 V (niso priložene), upoštevajte gravirane oznake dodatne in negativne polarnosti. Nato zaprite pokrov komore za baterije.

Po uspešnem priklopu napajanja se vklopi zaslon. Da bi izbrali vir predvajanja, pritisnite tipko za vklop napajanja (»power«)/izbira vira zvoka (»source«), pritisnite in za 2 sekundi pridržite to tipko, da bi izklopili napravo (prešli v stanje pripravljenosti). Ko je na voljo omrežno napajanje, se napajanje z baterijami samodejno izklopi.

Opombe:

a) Zvok je lahko moten zaradi prazne oz. skoraj prazne baterije ali nizke ravni napolnjenosti. Takrat je treba zamenjati baterije z novimi. Baterije je treba skladiščiti na način, ki ne škodi okolju; upoštevati je treba lokalne predpise.

b) Ne nameščati skupaj baterij različnih proizvajalcev; da bi preprečili uhajanje tekočine iz baterij, ob daljšem mirovanju naprave preprosto odstranite baterije.

Nastavitev ure in alarma

Nastavljanje ure: za prehod v stanje pripravljenosti (»standby«) pritisnite in za 2 sekundi pridržite tipko za napajanje (»power«)/vir (»source«), pritisnite in za 2 sekundi pridržite tipko za programiranje (»program«)/nastavljanje ure (»clock set«), da bi začeli nastavljanje, pritisnite tipko prejšnji/naslednji, da bi izbrali obliko prikaza ure – 12-/24-urni prikaz, ponovno pritisnite tipko za programiranje (»program«)/nastavljanje ure (»clock set«), da bi potrdili svojo izbiro, za prilagoditev ure in minut ponovljajte prejšnji korak.

Nastavljanje alarma: v stanju pripravljenosti pritisnite in za 2 sekundi držite tipko »timer«, da bi začeli nastavljanje alarma; številke na zaslonu začnejo utripati; pritisnite tipko prejšnji (»previous«)/naslednji (»next«), da bi prilagodili uro, in ponovno pritisnite tipko »timer« za potrdilo izbire; ponovite prejšnji korak za prilagoditev minut/vira alarma (CD/USB/SD/BREŇAČ/FM)/glasnost alarma idr.

a) Ura in alarm delujeta le takrat, ko je na voljo napajanje. Ob izgubi napajanja je treba na novo nastaviti uro in alarm.

b) Kratki pritisk na tipko »timer« v stanju pripravljenosti (»standby«) omogoča vklop oz. izklop alarma.

c) Ko se alarm sproži, na kratko pritisnite tipko za napajanje (»power«)/izbiro vira (»source«) oz. tipko »timer«, da bi izklopili zvok alarma in vklopili budilko za naslednji dan ob isti uri.

č) Čas trajanja alarma je 5 minut, razen če se ga prej prekliče.

d) Če ste izbrali CD/USB/SD kot vir alarma, se prepričajte, da so k napravi priklopljeni ustrezni nosilci (CD-plošča, SD-kartica, USB-spomin); v nasprotnem primeru se vklopi breŇač.

Uporaba CD

Naprava lahko predvaja CD-plošče, zapisane v obliki CD/CD-R/CD-RW/MP3. Pred začetkom predvajanja preverite obliko CD-pogona in se prepričajte, da je CD-plošča čista in brez vidnih poškodb.

Predvajanje CD-plošče: odprite pokrov CD-pogona in namestite CD-ploščo, nato zaprite pokrov. Za vklop CD-načina pritisnite tipko za napajanje (»power«)/izbiro vira (»source«); takrat enota prebere CD-ploščo in jo samodejno začne predvajati.

V načinu predvajanja CD-plošč obrnite gumb za uravnavanje glasnosti, da bi nastavili raven glasnosti; pritisnite tipko za predvajanje (»play«)/ustavitev (»pause«), da bi ustavili oz. vzpostavili predvajanje, tipko stop za ustavitev predvajanja; da bi izbrali posnetek, na kratko pritisnite tipko prejšnji (»previous«)/naslednji (»next«); pritisnite in pridržite jo, da bi hitro premikali posnetek naprej ali nazaj; pritisnite tipko ponavljanja (»repeat«), da bi ponavljali vse posnetke/vse posnetke oz. vklopili naključno predvajanje; kratki pritisk na tipko +10 omogoča izbiro vsakega 10. posnetka; pritisnite tipko EQ za izbiro načina izenačevalnika zvoka.

Programiranje predvajanja (do 20 posnetkov na CD-plošči in 99 posnetkov na MP3-ploščah): pritisnite tipko stop; da bi začeli programiranje, pritisnite tipko za programiranje (»program«) – na zaslonu se prikaže »P01« in »PROG« – in izbiro posnetka, ki ga želite programirati, pritisnite tipko prejšnji (»previous«)/naslednji (»next«), nato s tipko za programiranje (»program«) potrdite svojo izbiro; posnetek bo shranjen kot P01. Ponovljajte te korake, dokler se na zaslonu na prikaže »FUL«, kar bo pomenilo, da je spomin poln. Pritisnite tipko za predvajanje (»play«), da bi predvajali vse programirane posnetke; da bi preklicali in zbrisali programirane nastavitve predvajanja, odprite pokrov CD-pogona oz. dvakrat pritisnite tipko za ustavitev.

Uporaba FM-radia

Pred uporabo radia je treba popolnoma izvleci anteno FM in namestiti napravo v bližini okna, da bi se zagotovilo sprejemanje boljšega signala.

Skeniranje in samodejno skeniranje: pritisnite in za 2 sekundi pridržite tipko prejšnji (»previous«)/naslednji (»next«), da bi samodejno poiskali razpoložljive postaje gor ali dol po valu; pritisnite tipko za skeniranje (»scan«), da bi samodejno poiskali in shranili razpoložljive radijske postaje (maksimalno število programiranih postaj je 40). Za vklop predvajanja programirane postaje pritisnite tipko +10/zčetne nastavitve (»preset«).

Ročno programiranje postaj: po uglasitvi priljubljene postaje s pomočjo gumba za uglaševanje radijskih valov oz. tipke za skeniranje (»scan«) najprej pritisnite tipko za programiranje (»program«), nato obrnite gumb za uglaševanje radijskih valov, da bi izbrali zaželeno številko, pod katero hočete shraniti tekočo postajo, nato potrdite svojo izbiro s pritiskom na tipko za programiranje (»program«); da bi shranili druge postaje, ponovljajte zgornje korake.

V načinu FM-radia, ko ima poslušana postaja hušji signal, pritisnite tipko »stop/mono/stereo«, da bi preklpili sprejemnik v monoačin.

Predvajanje s kartic SD/USB

Pred začetkom predvajanja SD-/USB-datotek je treba kopirati MP3-avdiodatoteko v ustrezen nosilec (naprava podpira nosilec maksimalno do 32 GB) in nato pravilno vtakniti ta nosilec v USB-/SD-vtičnico.

Nekajkrat pritisnite tipko za izbiro vira zvoka (»source«), da bi prešli na USB-/SD-način; naprava samodejno odčita avdiodatoteko in začne predvajati zvok.

V načinu USB-predvajanja pritisnite tipko za predvajanje (»play«)/ustavitev (»pause«), da bi ustavili oz. vzpostavili predvajanje, pritisnite tipko stop za ustavitev predvajanja; da bi izbrali posnetek, na kratko pritisnite tipko prejšnji (»previous«)/naslednji (»next«); pritisnite in pridržite jo, da bi hitro premikali posnetek naprej ali nazaj; pritisnite tipko ponavljanja (»repeat«), da bi ponavljali en posnetek/vse posnetke oz. vklopili naključno predvajanje; kratki pritisk na tipko +10 omogoča izbiro vsakega 10. posnetka; pritisnite tipko EQ za izbiro načina izenačevalnika zvoka.

Pozor:

a) Uporaba podaljška za priklp USB-naprave ni priporočena, ker lahko povzroči motnje predvajanja.

b) Podpiranje vseh USB-naprav ni zajamčeno zaradi različnih konstrukcij naprav in različnih proizvajalcev.

c) Pravilno predvajanje vseh MP3-datotek ni zajamčeno.

Uporaba bluetootha

Naprava je opremljena s funkcijo bluetooth, ki omogoča brezžično predvajanje zvoka iz drugih naprav.

Povezovanje: pritisnite tipko za izbiro vira zvoka (»source«), dokler se na zaslonu ne prikaže sporočilo »BT«. Nato vklopite funkcijo bluetooth v zunanji napravi, kot je na primer pametni telefon idr. (seznanite se z navodili za uporabo te naprave), preverite seznam razpoložljivih naprav bluetooth in izberite »BP BB31LED«; po uspešnem povezovanju naprav se bo slišal zvok za potrdilo; nato izberite in vklopite glasbo z zunanje naprave; zvok bo predvajan skozi zvočnike tega predvajalnika.

V načinu bluetooth pritisnite tipko za predvajanje (»play«)/ustavitev (»pause«), da bi ustavili oz. vzpostavili predvajanje; pritisnite tipko prejšnji (»previous«)/naslednji (»next«) za izbiro posnetka; za 2 sekundi pritisnite tipko za povezovanje BT-naprav (»pairing«), da bi končali povezavo s trenutno napravo; predvajalnik bo pripravljen za povezovanje z drugimi napravami bluetooth.

Opombe:

- Uspešno povezovanje s vsemi napravami bluetooth ni zajamčeno zaradi različnih konstrukcij naprav in različnih proizvajalcev.
- Najboljša delovna razdalja, ki zagotavlja nemoteno delovanje bluetooth, je 10 metrov brez ovir.
- Ko se pojavi prihajajoči klic, se predvajanje bluetooth ustavi in se nato samodejno vzpostavi po končanem pogovoru.

Uporaba načina AUX IN/linijskega vhoda/MP3 Link

S pomočjo avdiokabla 3,5 mm povežite vtičnico AUX IN na zadnjem panelu naprave s točko izhoda signala z zunanjega predvajalnika (npr. MP3-predvajalnika idr.). Vključite napravo in pritisnite tipko za izbiro vira (»source«), da bi prešli na način AUX IN. Izberite in predvajajte glasbo z zunanjega predvajalnika; zvok bo prihajal skozi zvočnike te naprave. Upoštevajte, da se glavno upravljanje dogaja na zunanjem predvajalniku, na tisti napravi pa lahko nastavite raven glasnosti.

Priključek za slušalke: v načinu predvajanja (CD/USB/SD/AUX/bluetooth/radio) priključite slušalke na vtičnico za slušalke, ki se nahaja na zadnjem panelu naprave. Zvok v zvočnikih se samodejno izklopi in bo na voljo skozi slušalke.

Funkcija spanja (»sleep«): v načinu predvajanja nekajkrat pritisnite tipko »timer«, da bi vklopili funkcijo spanja čez 10/20/30/40/50/60/70/80/90 minut/izklop. Čez določen čas se naprava samodejno izklopi.

Vklop/Izklop LED-osvetlitve

Pritisnite in premaknite stikalo za vklop/izklop osvetlitve na zadnjem panelu naprave, če želite vklopiti ali izklopiti LED-osvetlitev; kratki pritisk na gumb za nastavljanje glasnosti omogoča izbiro barve in načina LED-osvetlitve (na voljo je 8 načinov in možnost izklopa).

Specifikacija:

Vir napajanja: AC 100–230 V~/50 Hz
 DC-napajanje 12 V (8 kosov x UM 1, 1,5 V, baterije niso priložene)
 Frekvenca FM: 87,5–108,0 MHz
 Podpirani pogoni: CD, CD-R, CD-RW, MP3-CD
 Izhodna moč RMS: 2 x 6 W
 Parametri USB-vtičnice: 5 V/500 mA (ne za napajanje)
 Kompatibilnost USB-vtičnice: nosilci do 32 GB, avdiodatoteka MP3
 Bluetooth: različica EDR + 4.2; najboljša delovna razdalja do 10 metrov
 Poraba moči: 14 W
 Poraba moči v stanju pripravljenosti: < 1 W
 (ta specifikacija se lahko spreminja brez predhodne najave)

Reševanje težav

- Ni mogoče vklopiti naprave.
 - Preverite, ali je DC-napajanje ustrezno priključeno.
 - Ob težavah se obrnite na servisni center.
- Slab zvok radijske postaje.
 - Premaknite napravo v bližino okna oz. nastavite smer antene, da bi sprejemali boljšo kakovost zvoka.
 - Poskusite preklopiti radio na drugo postajo.
 - Ob težavah se obrnite na servisni center.
- Naprava ne more odčitati CD-ploščice ali USB-spomina.
 - Preverite, ali sta CD-plošča oz. avdiodatoteka pravilni.
 - Ob težavah se obrnite na servisni center.
- Zvok bluetooth se prekinja.
 - Poskusite premakniti napravo bluetooth v bližino naprave.
 - Izklopite bluetooth in na novo povežite naprave.

Competence Center

2N-Everpol Sp. z o.o.
ul. Puławska 403A
02-801 Warsaw, Poland
phone: +48 22 331 99 59
e-mail: info@everpol.pl
www.blaupunkt.com

W przypadku pytań lub problemów
prosimy o kontakt z naszym serwisem.
In case of questions or problems
please contact our service.
Tel. 00 48 22 331 99 53
E-mail: info@blaupunkt-audio.pl

Wszelkie prawa zastrzeżone. Wszystkie nazwy marek są zarejestrowanymi
znakami towarowymi należącymi do odpowiednich podmiotów.
Dane i parametry techniczne mogą ulec zmianie bez wcześniejszego uprzedzenia.

All rights reserved. All brand names are registered trademarks of their
respective owners. Specifications are subject to change without prior notice.

A dark blue horizontal bar containing the slogan "Enjoy it." in a white, italicized, sans-serif font.

Enjoy it.