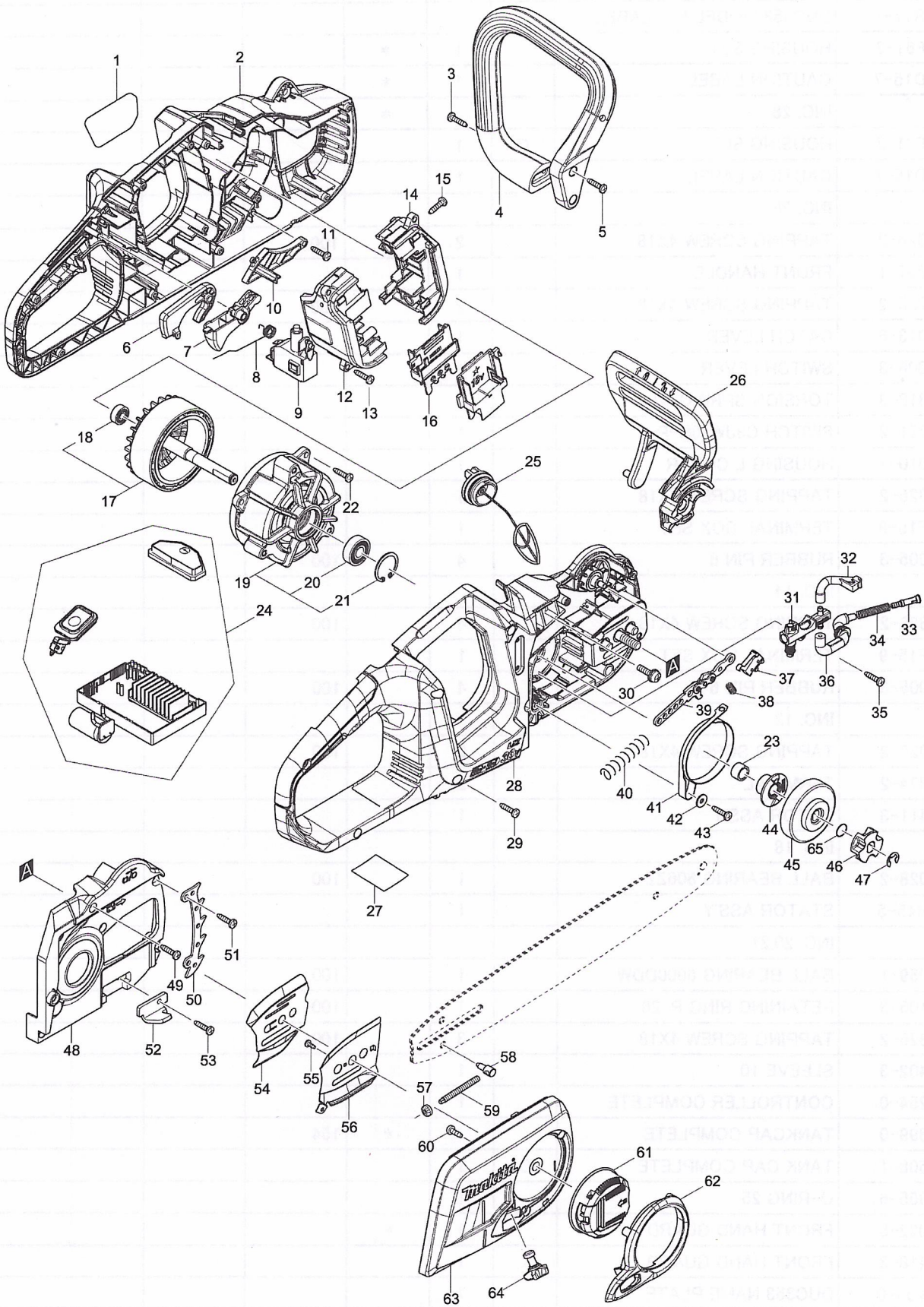


Model No.DUC353 350MM CORDLESS CHAIN SAW



Model No.DUC353 350MM CORDLESS CHAIN SAWER

Item	Parts No.	Description	I/C	QTY	New/Old	Opt. 1	Opt. 2	NOTE
001	810R17-1	DUC353 MODEL NO. LABEL		1				
002	183F61-2	HOUSING SET		1	*			
C10	812D15-7	CAUTION LABEL		1	*			
D10		INC. 28			*			
002-1	183F61-2	HOUSING SET	O	1				
C10	812D15-7	CAUTION LABEL		1				
D10		INC. 28						
003	266326-2	TAPPING SCREW 4X18		2		100		
004	457007-1	FRONT HANDLE		1				
005	266326-2	TAPPING SCREW 4X18		2		100		
006	457013-6	CATCH LEVER		1				
007	457006-3	SWITCH LEVER		1				
008	232318-3	TORSION SPRING 10		1				
009	650781-2	SWITCH C3JW-6B-P		1				
010	457010-2	HOUSING L COVER		1				
011	266326-2	TAPPING SCREW 4X18		1		100		
012	183F15-9	TERMINAL BOX SET		1				
C10	263005-3	RUBBER PIN 6		4		100		
D10		INC. 14						
013	266326-2	TAPPING SCREW 4X18		4		100		
014	183F15-9	TERMINAL BOX SET		1				
C10	263005-3	RUBBER PIN 6		4		100		
D10		INC. 12						
015	266326-2	TAPPING SCREW 4X18		2		100		
016	643874-2	TERMINAL		2				
017	519411-3	ROTOR ASS'Y		1				
D10		INC. 18						
018	210028-2	BALL BEARING 606ZZ		1		100		
019	592H45-5	STATOR ASS'Y		1				
D10		INC. 20,21						
020	210059-1	BALL BEARING 6000DDW		1		100		
021	962105-3	RETAINING RING R-26		1		100		
022	266326-2	TAPPING SCREW 4X18		3		100		
023	257402-3	SLEEVE 10		1				
024	144254-0	CONTROLLER COMPLETE		1				
025	168399-0	TANKCAP COMPLETE		1	*	154		
025-1	168508-1	TANK CAP COMPLETE	O	1				
C10	213355-6	O-RING 25		1				
026	457022-5	FRONT HAND GUARD		1	*			
026-1	458418-3	FRONT HAND GUARD	<	1				
027	852V64-0	DUC353 NAME PLATE		1				
028	183F61-2	HOUSING SET		1	*			
C10	812D15-7	CAUTION LABEL		1	*			
D10		INC. 2			*			
028-1	183F61-2	HOUSING SET	O	1				

Please order the parts with part number.

Print Date 4/11/2019

Model No.DUC353 350MM CORDLESS CHAIN SAWER

Item	Parts No.	Description	I/C	QTY	New/Old	Opt. 1	Opt. 2	NOTE
C10	812D15-7	CAUTION LABEL		1				
D10		INC. 2						
029	266326-2	TAPPING SCREW 4X18		8		100		
030	911233-1	PAN HEAD SCREW M5X20		3		100		
031	142156-4	OIL PUMP COMPLETE		1				
032	424904-6	CONNECTOR B		1				
033	452666-6	NIPPLE		1		154		
034	234207-8	COMPRESSION SPRING 6		1		100		
035	266326-2	TAPPING SCREW 4X18		1		100		
036	424903-8	CONNECTOR A		1				
037	632H47-0	SWITCH UNIT		1	*			
037-1	632H47-0	SWITCH UNIT	S	1				
038	231298-0	COMPRESSION SPRING 6		1		100		
039	163448-8	LINKPLATE COMPLETE		1		154		
040	232319-1	COMPRESSION SPRING 9		1				
041	345454-7	BRAKE BAND		1		154		
042	267195-4	FLAT WASHER 4		1	*	100		
043	266326-2	TAPPING SCREW 4X18		1	*	100		
043-1	265620-9	TAPPING SCREW FLANGE 4X18	S	1				
044	221427-3	WORM GEAR		1				
045	161526-8	BRAKE DRUM COMPLETE		1	*			
045-1	161891-5	BRAKE DRUM COMPLETE	O	1				
046	221464-7	SPROCKET 6		1				
047	961013-5	STOP RING E-7		1		100		
048	457004-7	HOUSING R COVER		1				
049	266326-2	TAPPING SCREW 4X18		4		100		
050	347078-5	SPIKE BUMPER		1				
051	266326-2	TAPPING SCREW 4X18		2		100		
052	347079-3	CHAIN CATCHER		1				
053	266326-2	TAPPING SCREW 4X18		1		100		
054	346694-0	GUIDE PLATE ES		1				
055	266166-8	TAPPING SCREW CT 3X8		1		100		
056	346699-0	GUIDE PLATE CS		1				
057	227496-2	STRAIGHT BEVEL GEAR 14		1		100		
058	326310-0	ADJUST PIN		1				
059	326312-6	ADJUST SCREW		1				
060	266427-6	TAPPING SCREW 4X12		3		100		
061	142235-8	NUT COMPLETE		1				
062	454519-5	NUT COVER		1				
063	457000-5	SPROCKET COVER		1				
064	142288-7	WHEEL COMPLETE		1				
C10	213011-8	O RING 7		1		100		
065	213060-5	O RING 10		1				
A01	182229-1	OIL SUPPLY 100CC		1	*			
A01-1	199897-3	OIL VESSEL SET	<	1				

Please order the parts with part number.

Print Date 4/11/2019

